
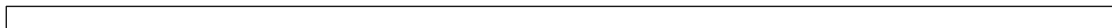
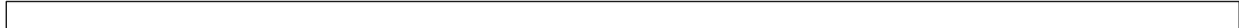







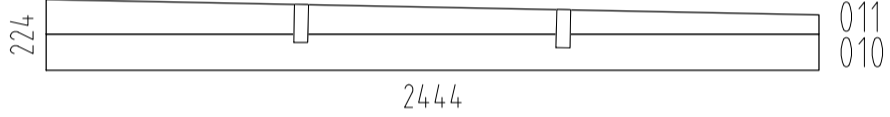
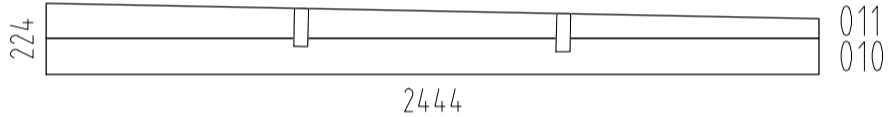










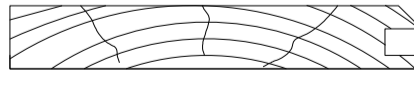

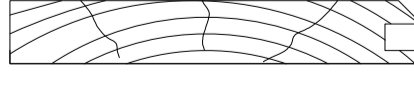



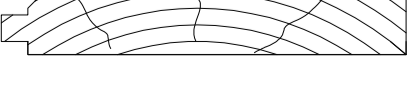
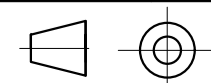
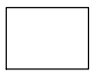
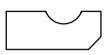
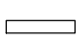

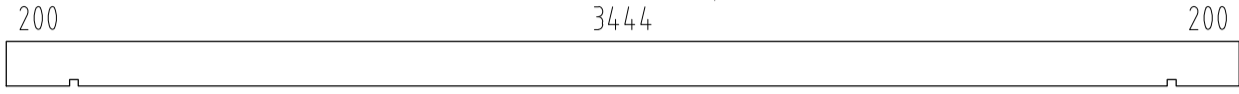


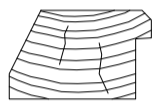
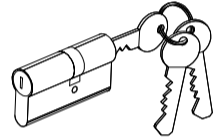


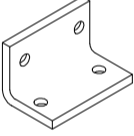
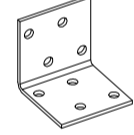




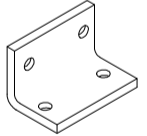
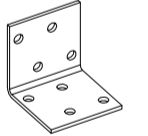







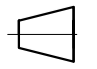
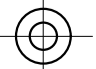
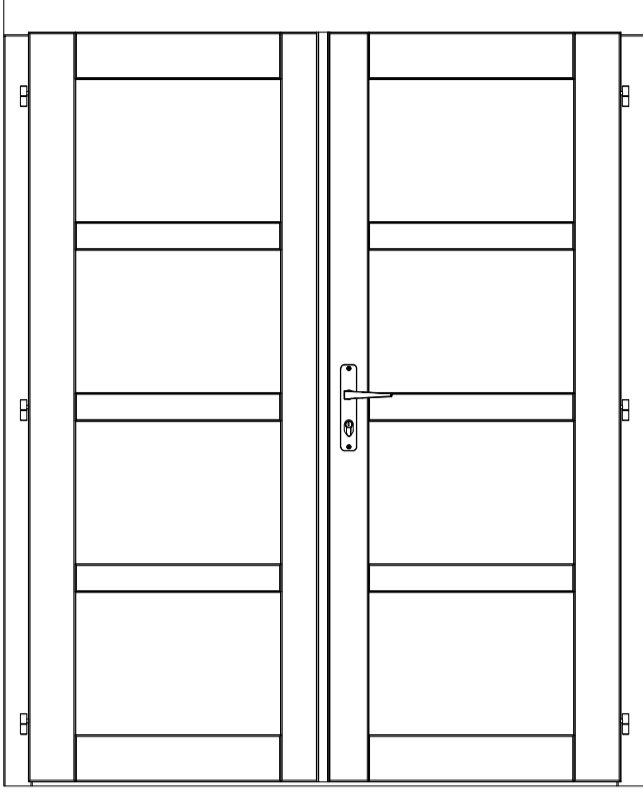
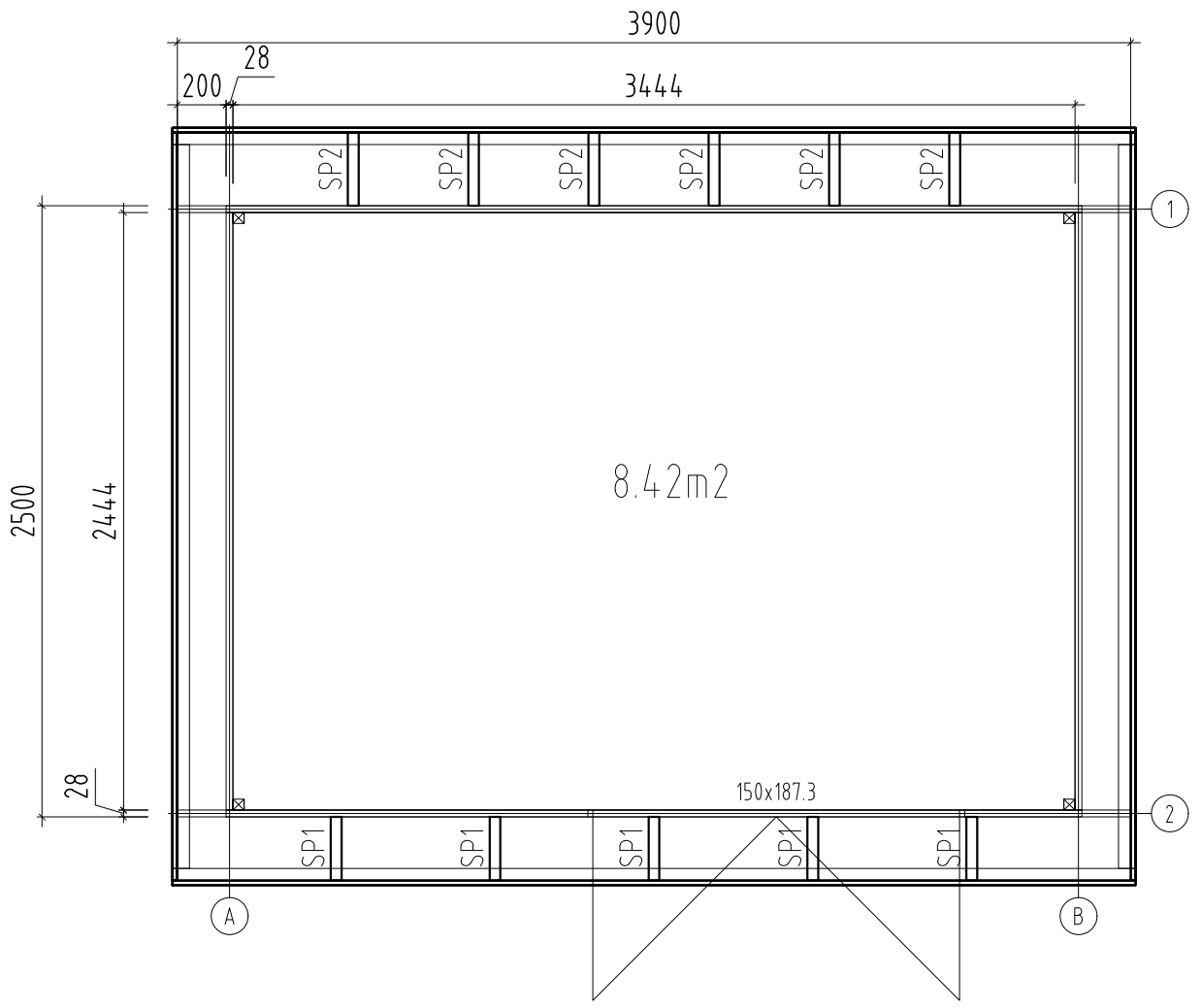


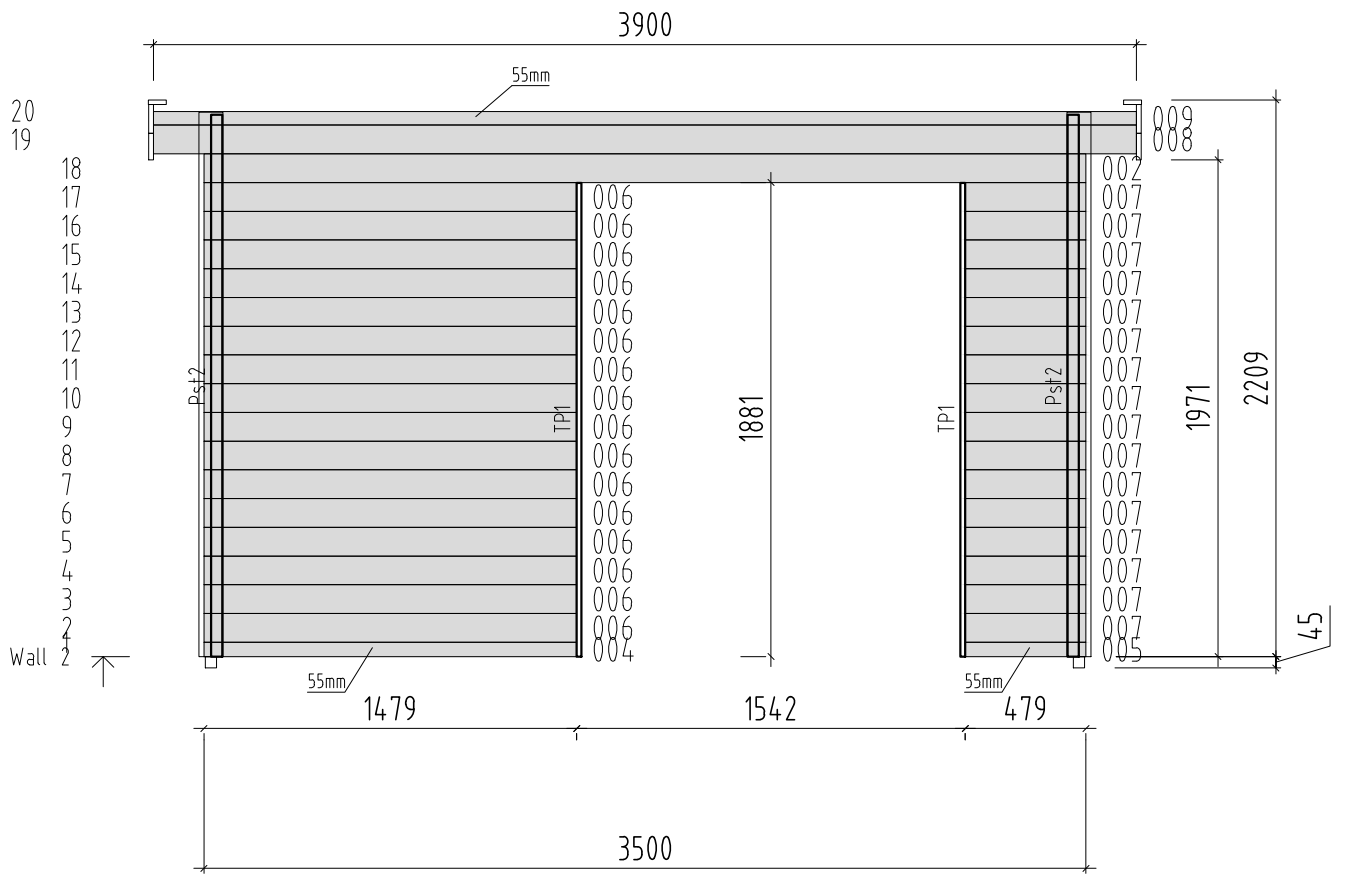
Pos	SPECIFICATION-STÜCKLISTE-NOMENCLATURE-ELEMENTI-ESPECIFICACIÓN "FR28-3524"	Pcs	Profile (mm)	Length (mm)
001		1	28x55	3500
002		18	28x114	3500
003	□ 	1	28x120	3900
004		1	28x55	1479
005		1	28x55	479
006		16	28x114	1479
007		16	28x114	479
008		1	28x114	3900
009	□ 	1	28x55	3900
010		34	28x114	2444
WA-1		1		
WB-1		1		
AR2	Foundation- Fundament- Fondation- Fondazione- Vigas de cimentación 	2	45x45	3400
AR1	Foundation- Fundament- Fondation- Fondazione- Vigas de cimentación 	2	45x45	2490
CoB4	Covering board- Deckbrett- Madrier de couverture- Tavola di copertura- Listón de cubierta 	2	95x16	2160
CoB2	Covering board- Deckbrett- Madrier de couverture- Tavola di copertura- Listón de cubierta 	2	95x16	2110
CoB3	Covering board- Deckbrett- Madrier de couverture- Tavola di copertura- Listón de cubierta 	4	95x16	1995
CoB5	Covering board- Deckbrett- Madrier de couverture- Tavola di copertura- Listón de cubierta 	2	70x19	3940
CoB1	Covering board- Deckbrett- Madrier de couverture- Tavola di copertura- Listón de cubierta 	2	70x19	2960
Pst2	Post- Pfosten- Poteau- Montante- Poste 	2	45x45	2150
Pst1	Post- Pfosten- Poteau- Montante- Poste 	2	45x45	2100
Rai4	Railing board- Geländer- Barre de rambarde- Tavola di ringhiera- Tabla de barandilla  	2	19x114	3940
Rai2	Railing board- Geländer- Barre de rambarde- Tavola di ringhiera- Tabla de barandilla  	2	19x114	3060
Rai3	Railing board- Geländer- Barre de rambarde- Tavola di ringhiera- Tabla de barandilla  	2	19x105	3940
Rai1	Railing board- Geländer- Barre de rambarde- Tavola di ringhiera- Tabla de barandilla  	2	19x105	3060

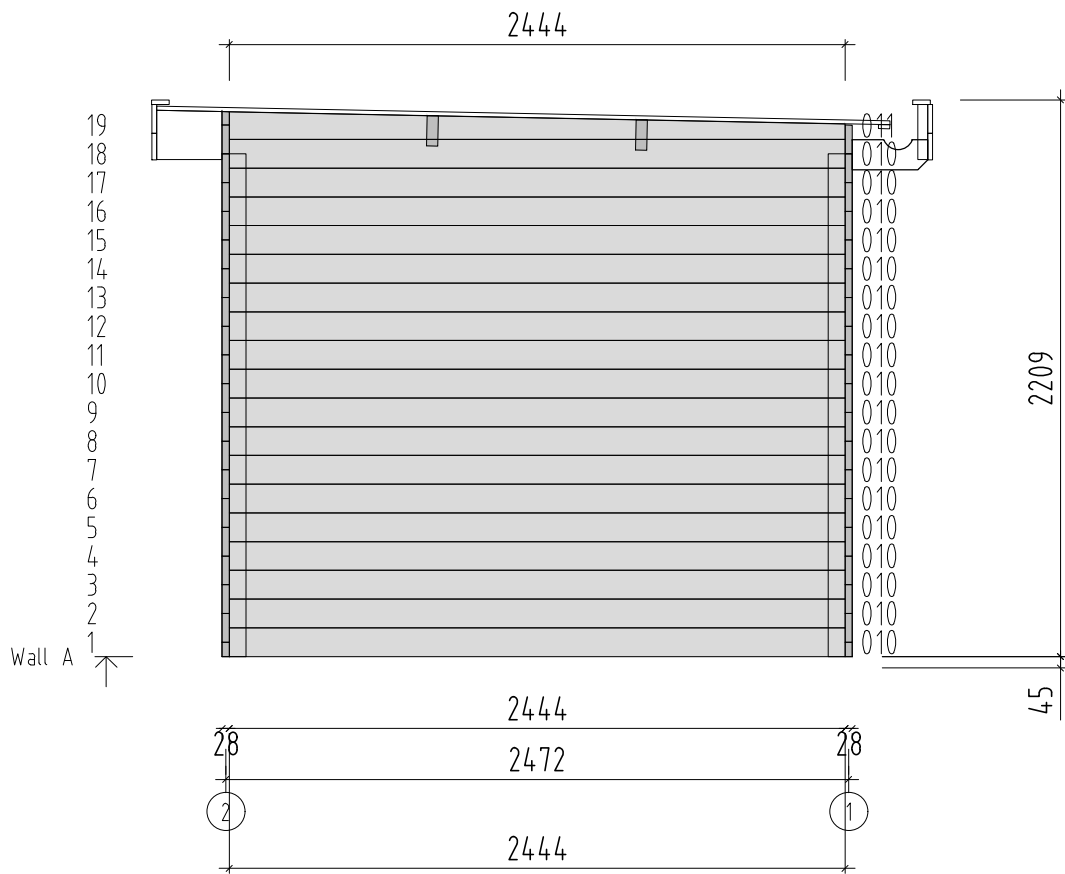


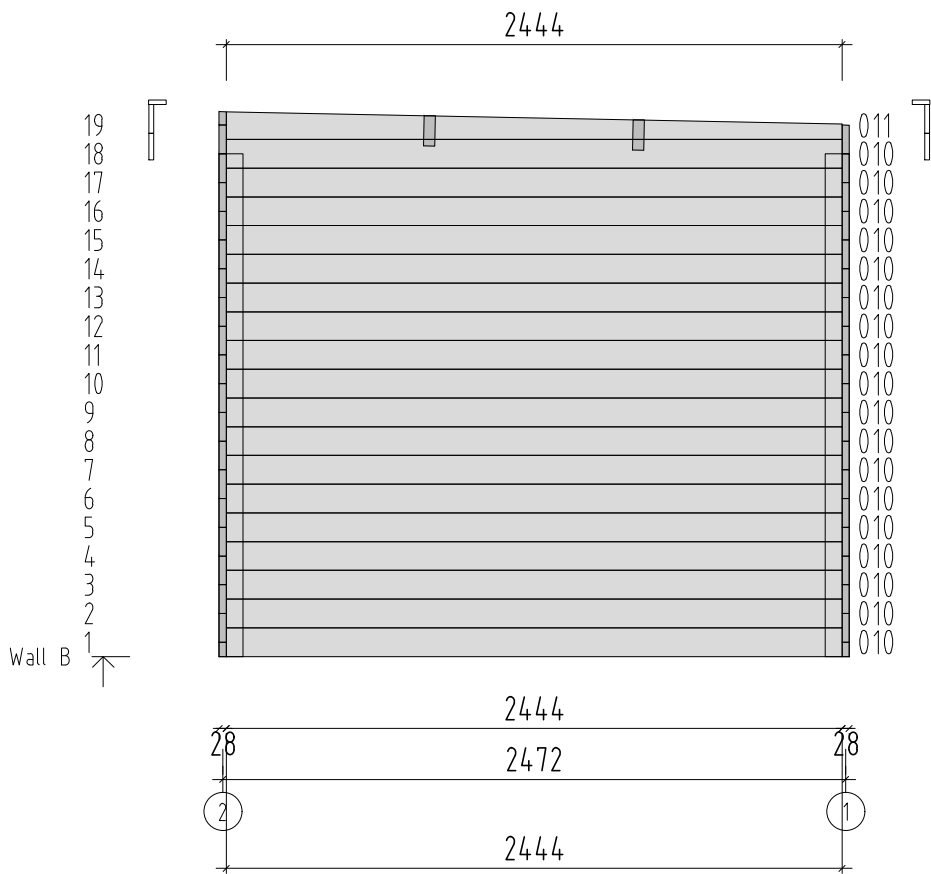
Pos	SPECIFICATION-STÜCKLISTE-NOMENCLATURE-ELEMENTI-ESPECIFICACIÓN "FR28-3524"			Pcs	Profile (mm)	Length (mm)
SP1		Support brace- Stützleiste- Baguette de support- Listello di supporto- Listón de soporte		5	44x195	260
SP2		Support brace- Stützleiste- Baguette de support- Listello di supporto- Listón de soporte		6	44x120	300
SP3		Support brace- Stützleiste- Baguette de support- Listello di supporto- Listón de soporte		6	32x40	218
TP1		Tender post- Tenderleiste- T-poste- Rinforzo- Refuerzo		2	19x28	1880
PR1		Purlin- Dachpfette- Arbalétrier- Arcareccio- Correa		2	44x140	3900
RB1-1		Roof board- Dachbrett- Madrier du toit- Tavola tetto- Tabla de tejado		44	89x16	2910
RE1-1		Roof edge reinforcement- Dachrandleiste- Baguette en bordure du toit- Rinforzo bordo tetto- Refuerzo borde tejado 16x45		2	16x45	1950
SiS5-1		Side slat - Randleiste - Baguette en bordure - Listello bordo 5		2	28x45	1576
Fim		-Fixing kit- Befestigungsset- Moyens de fixation- Materiale di fissaggio- Kit de fijación		1	USE	
QULSI 30x35		Cylinder- Zylinderschloss- Serrure a mortaiser- Serratura a cilindro- Bombin- 30.35		1	TU28-13P	
QLIU KAPal		Door fittings- Türbeschlag- Ferrure- Ferramenta porta- Manilla puerta- QLIUKAPal		1	TU28-13P	
QRV1 20Zn		Keeper- Schliessblech- Tole- Lamiera- Aldaba de candado- 120Zn		1	TU28-13P	
QNU20 x20x40		L-iron- Winkel- Angle -Angolo- Angulo 20x20x40		16	ARx+wall	
QNU40x 40x40Zn		L-iron- Winkel- Angle -Angolo- Angulo 40x40x40		4	AR1+AR2	
QNA2 2x50Zn		Nail- Nagel- Clou- Chiodo- Clavo- 2.5x50mm		200	RB1-1	
QKRPP2 _5x16Zn		Screw- Schraube- Vis- Vite- Tornillo- 2.5x16mm Zn		2		
QKRPP3 _5x25Zn		Screw- Schraube- Vis- Vite- Tornillo- 3.5x25mm Zn		100	 	
QKRPP3 _5x40Zn		Screw- Schraube- Vis- Vite- Tornillo- 3.5x40mm		80	CoB2; CoB3; CoB4	
QKRPP 3x30Zn		Screw- Schraube- Vis- Vite- Tornillo- 3x30mm		12	RE1-1	
QKRPP4 _5x50Zn		Screw- Schraube- Vis- Vite- Tornillo- 4.5x50mm		200	TP1; Raix; CoB1; CoB5; SP2+SP3	
QKRPP4 _5x60Zn		Screw- Schraube- Vis- Vite- Tornillo- 4.5x60mm		320	wall+Pst1; wall+Pst2	
QKRPP4 _5x70Zn		Screw- Schraube- Vis- Vite- Tornillo- 4.5x70mm		15	SiS5-1	
QKRPP 5x90Zn		Screw- Schraube- Vis- Vite- Tornillo- 5x90mm		40	TU28-13P wall+SP1; wall+SP2	
QKRPP6 x120Zn		Screw- Schraube- Vis- Vite- Tornillo- 6x120mm		10	ARx; PR1	
 	Object name "FR28-3524"				Page 2/3	

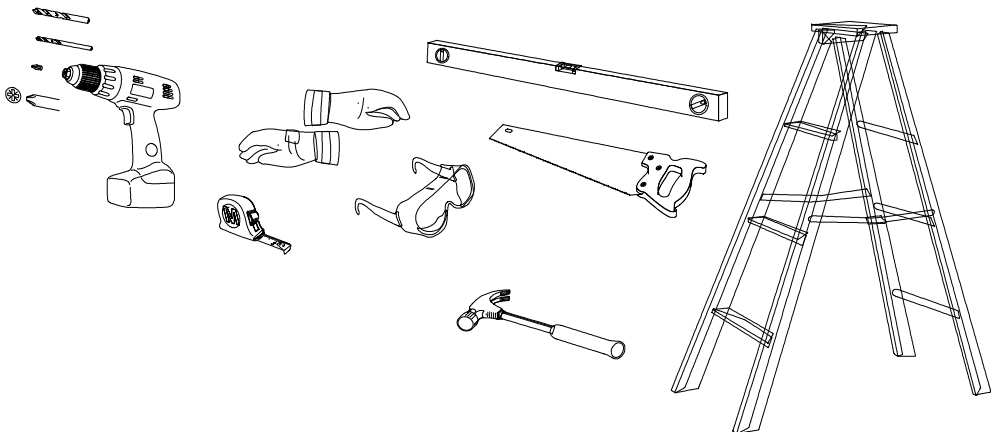
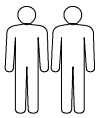
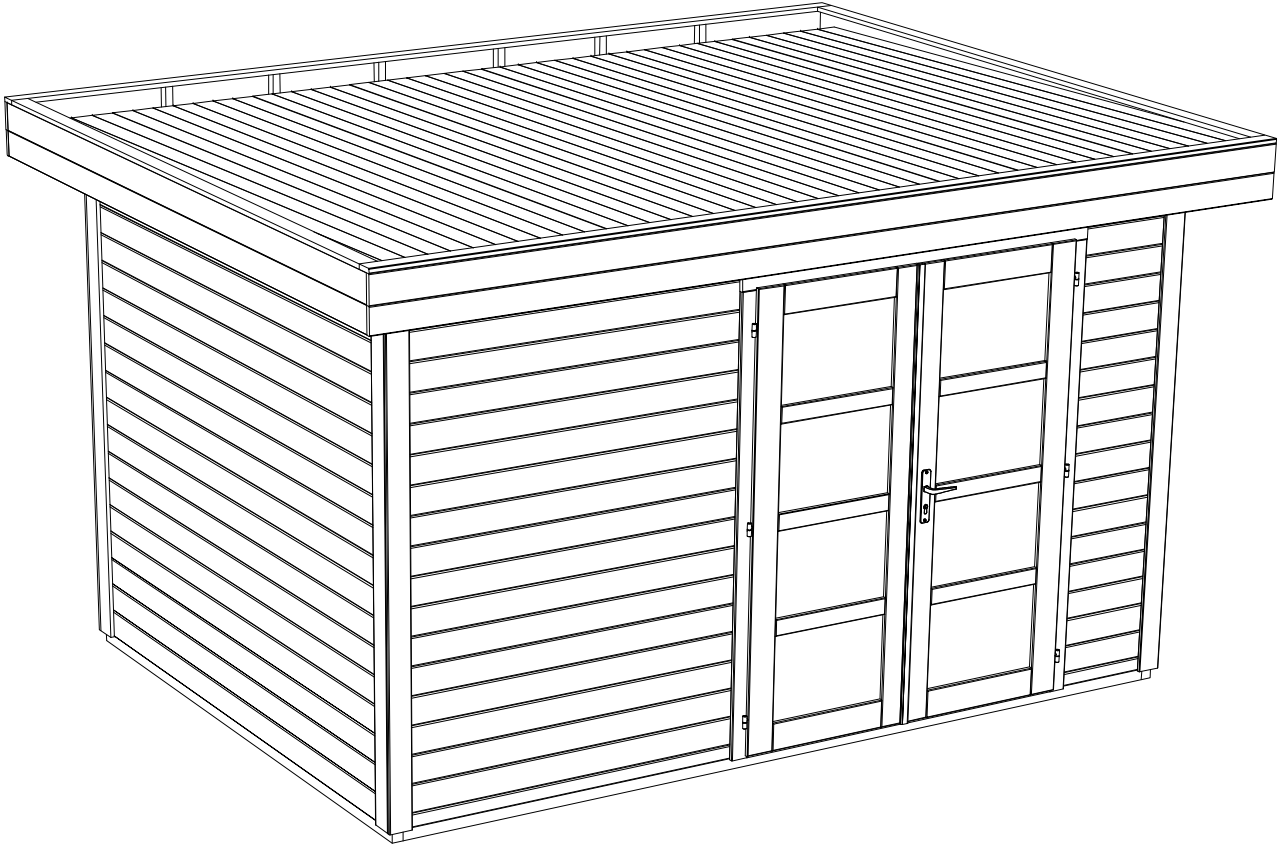
Pos	SPECIFICATION-STÜCKLISTE-NOMENCLATURE-ELEMENTI-ESPECIFICACIÓN "FR28-3524"	Pcs	Profile (mm)	Length (mm)
TU28 -13P	Door - Tür - Porte - Porta-Puerta 1500x1873 	1		




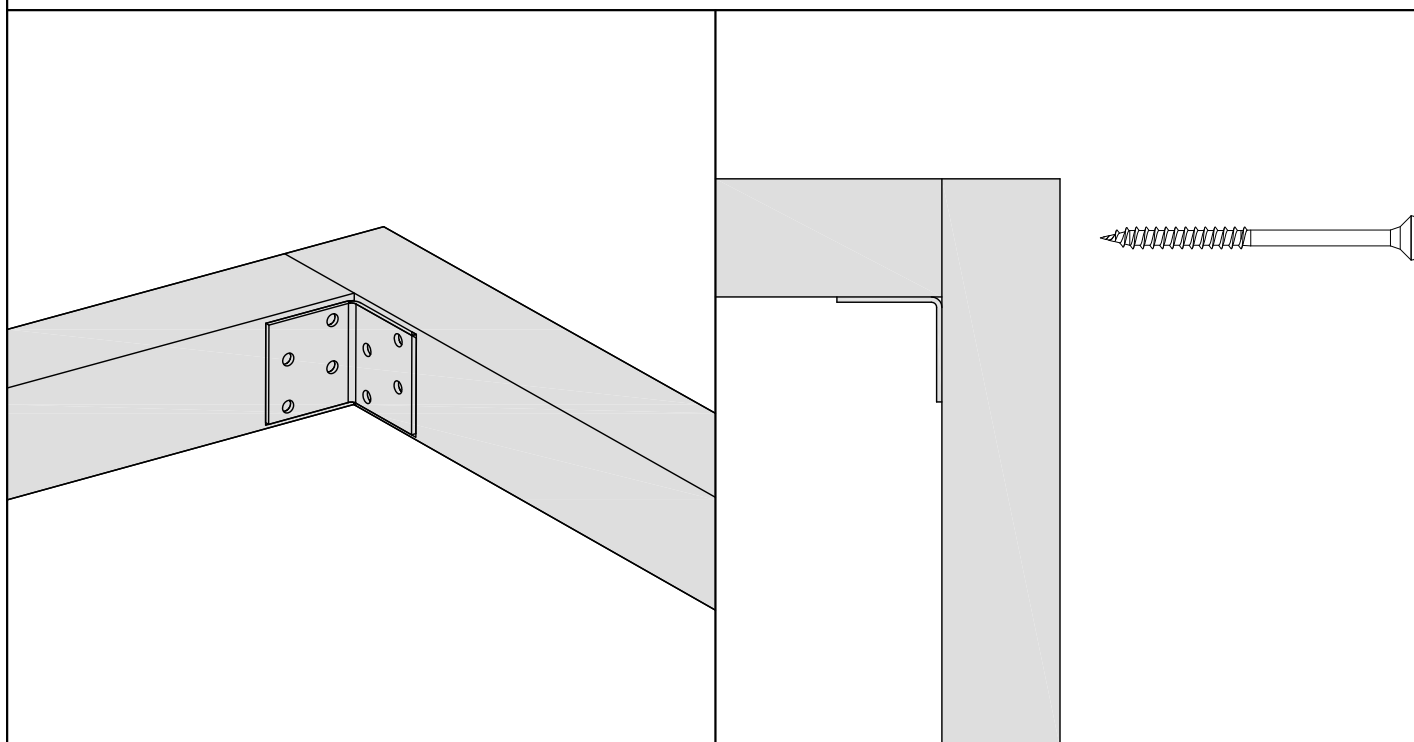
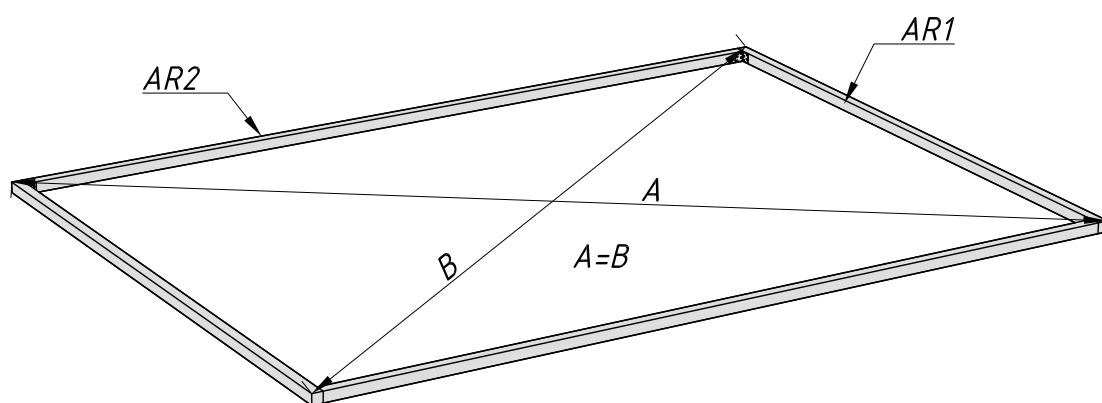
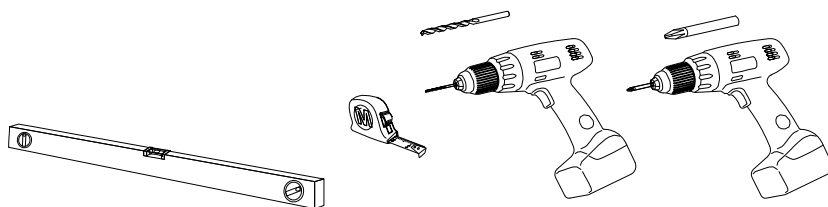





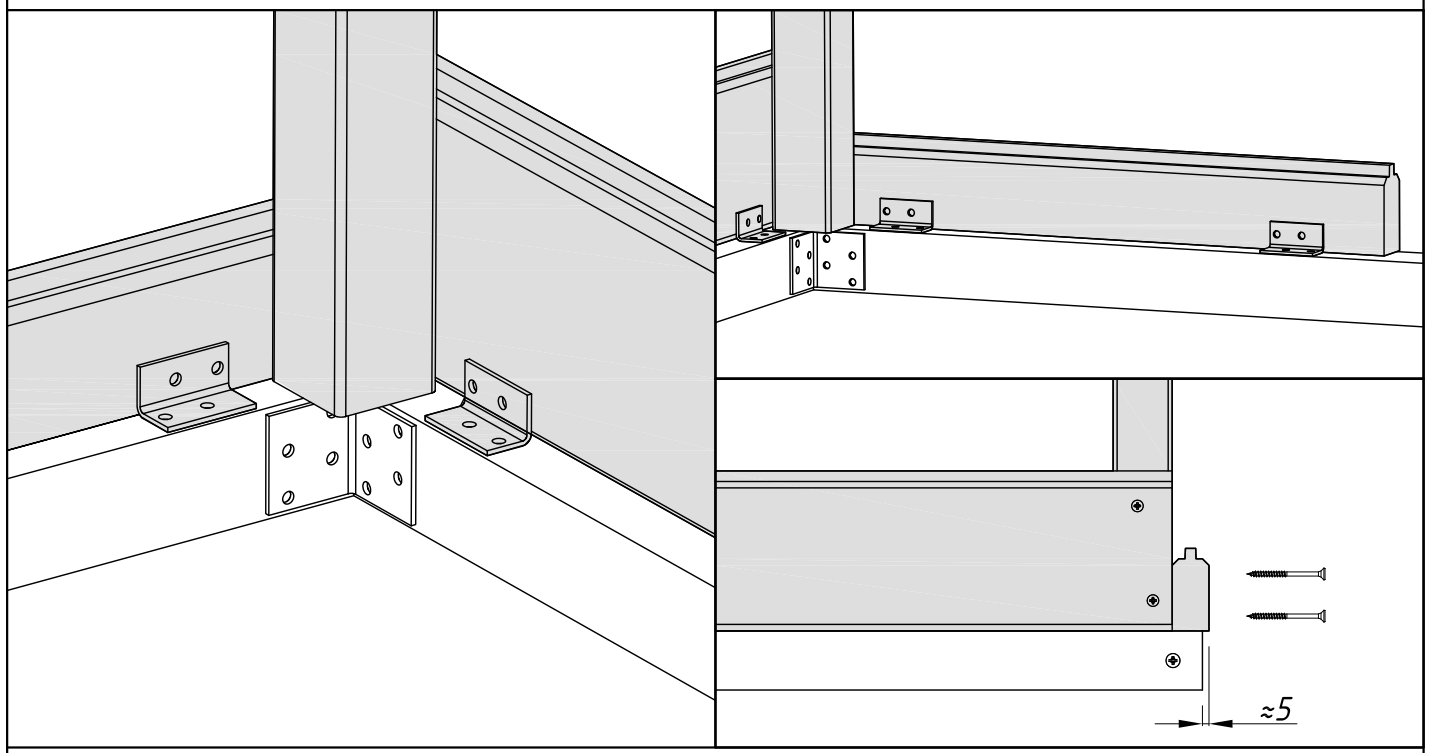
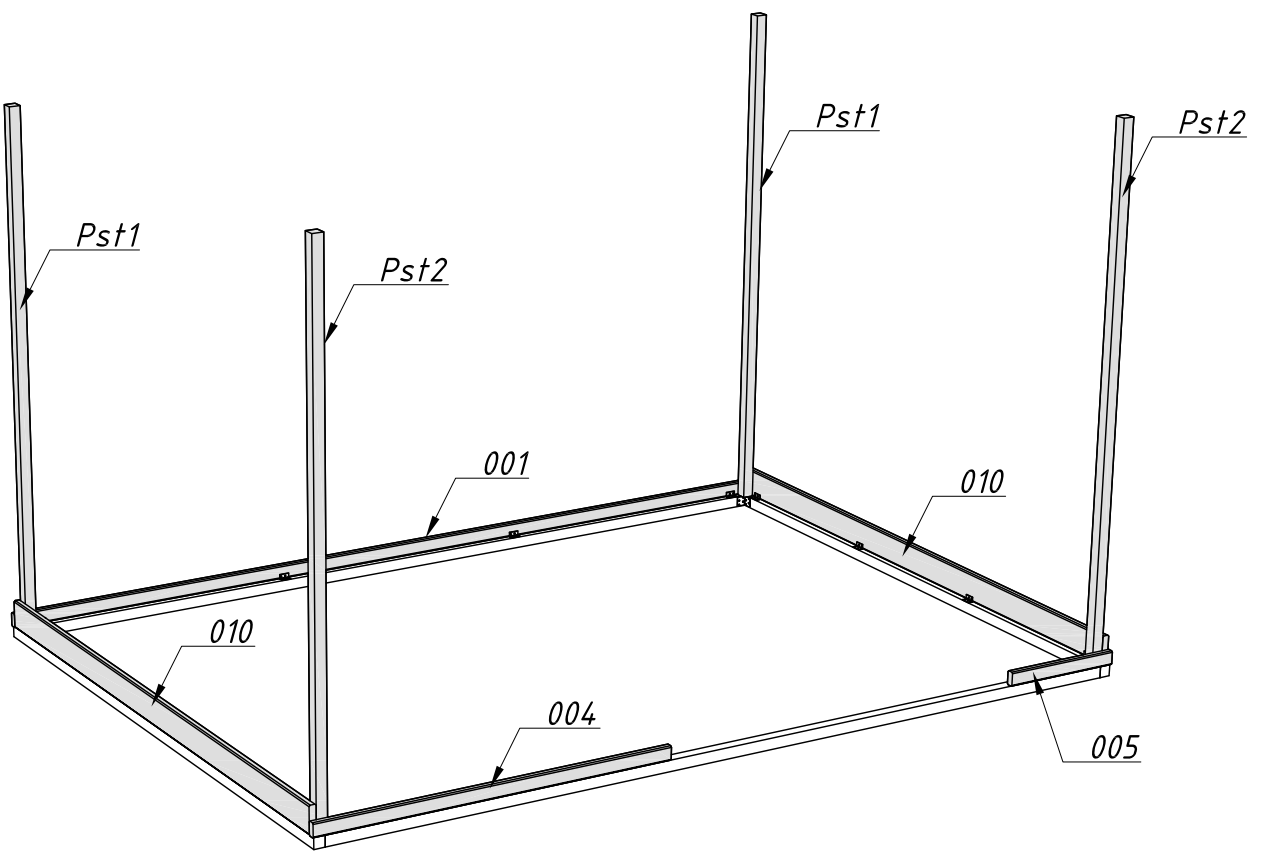
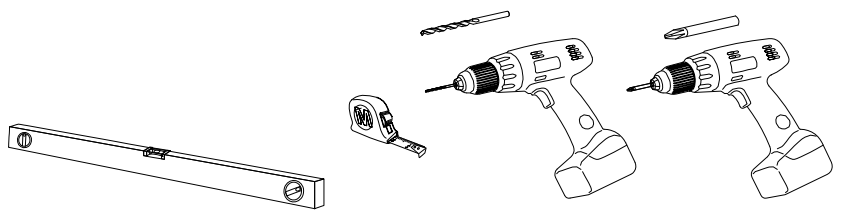




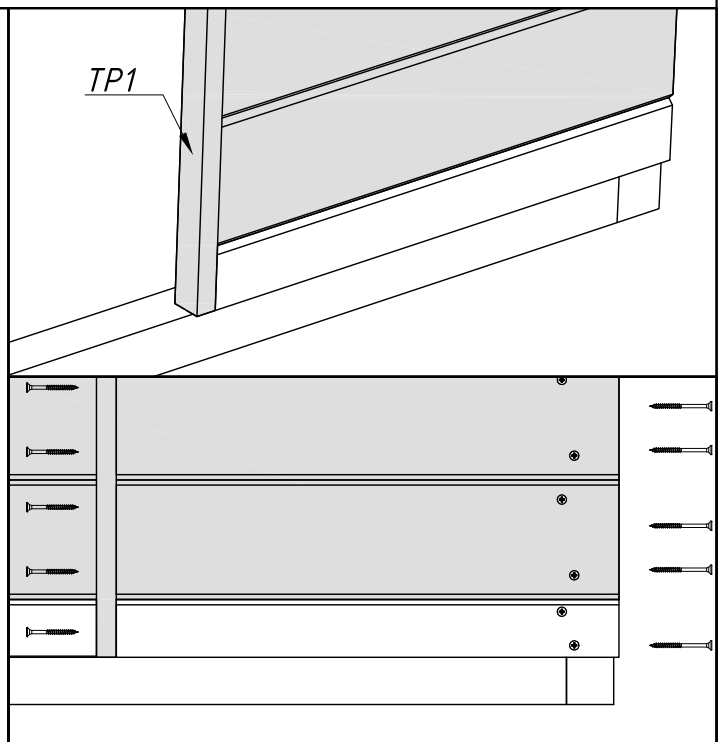
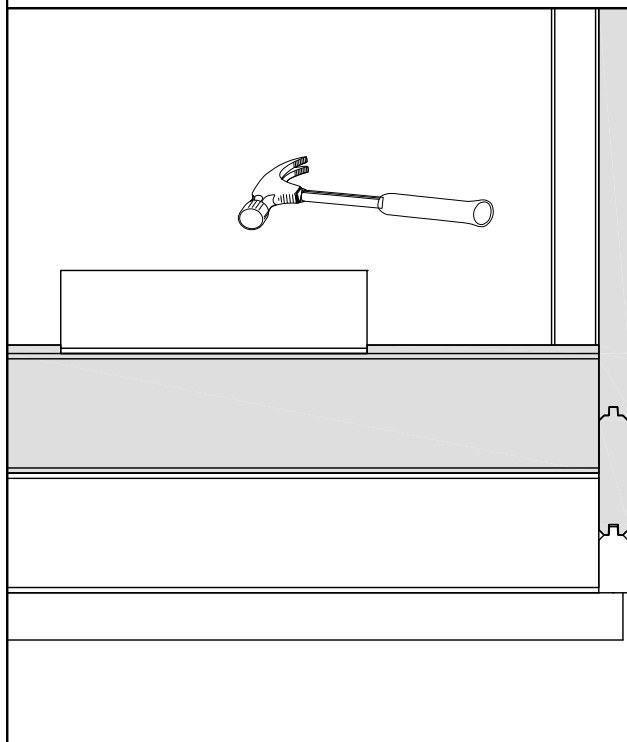
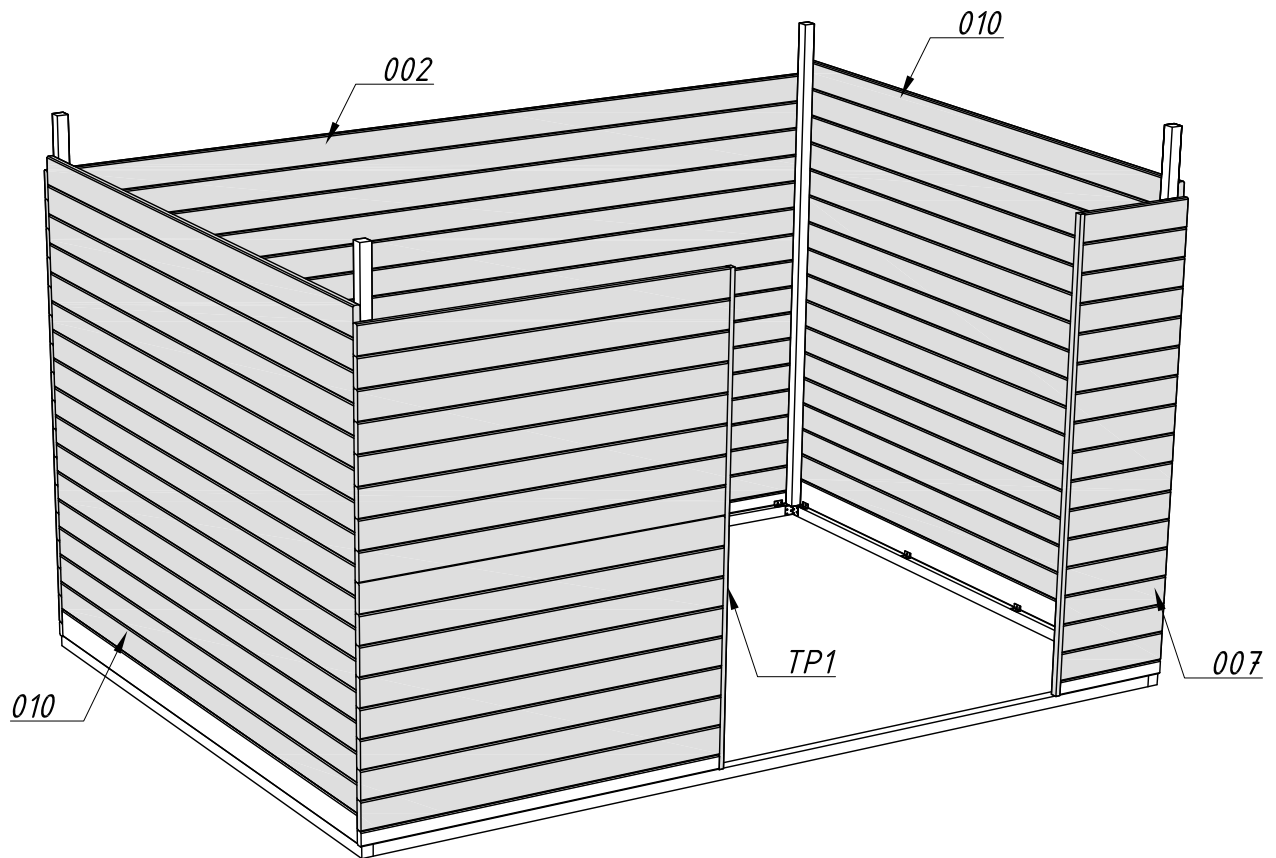
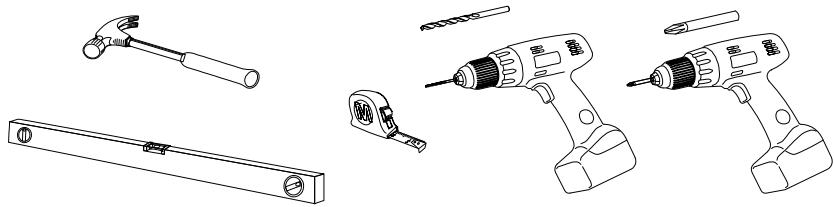
- | | | |
|---|----|-----|
| AR1 | 2 | pcs |
| AR2 | 2 | pcs |
|  | 4 | pcs |
| 3,5x25 | 32 | pcs |
| 6x120 | 4 | pcs |



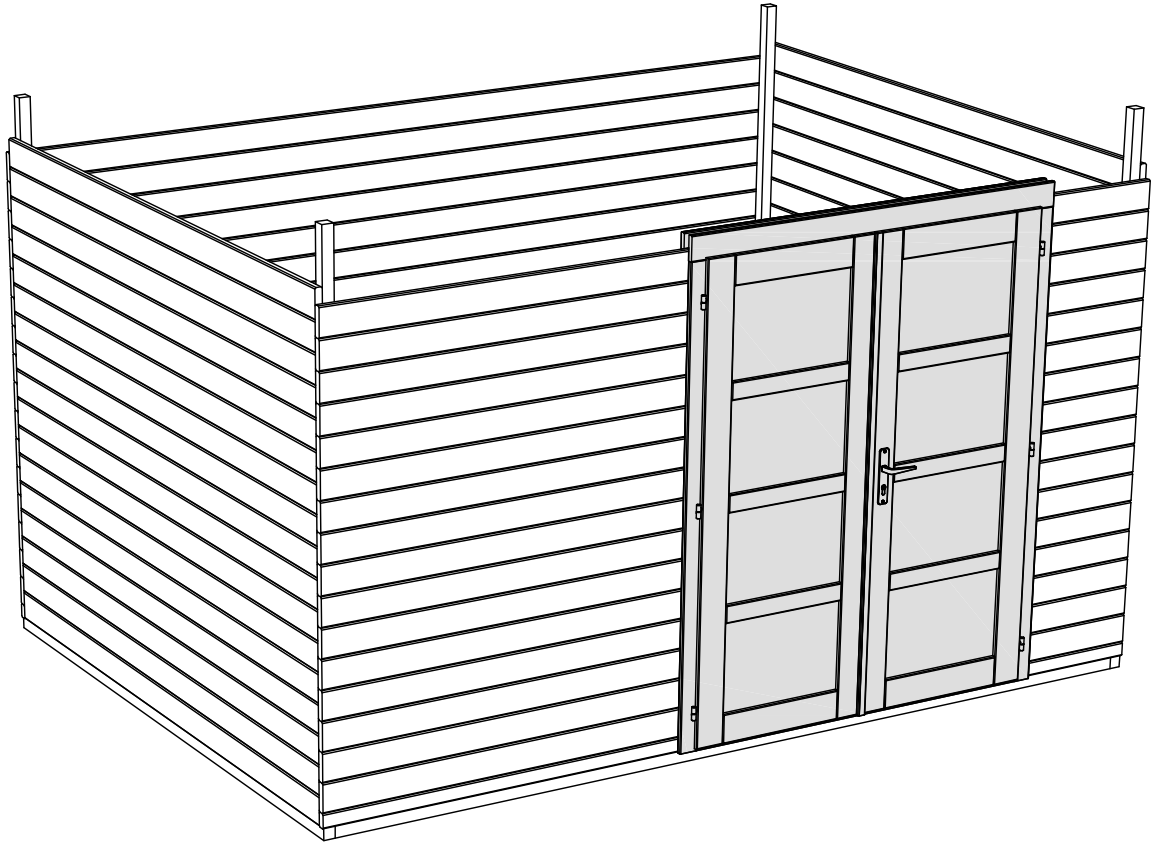
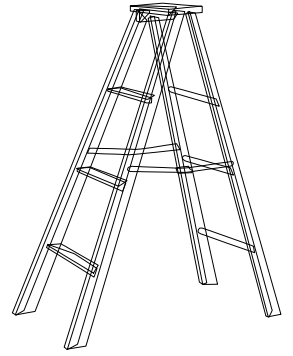
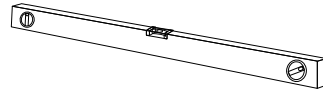
Pst1	2	pcs
Pst2	2	pcs
001	1	pcs
004	1	pcs
005	1	pcs
010	2	pcs
	16	pcs
3,5x25	64	pcs
4,5x60	16	pcs



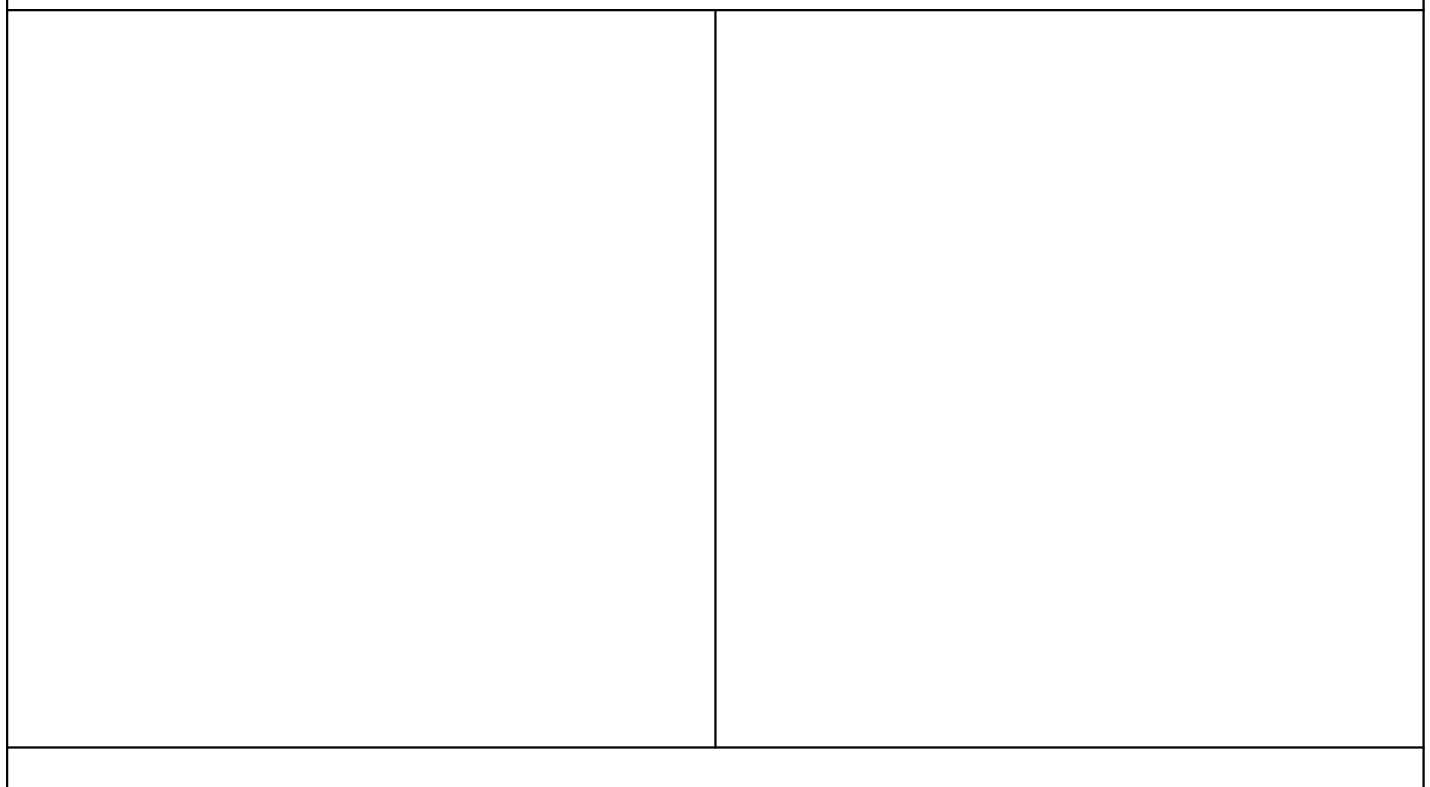
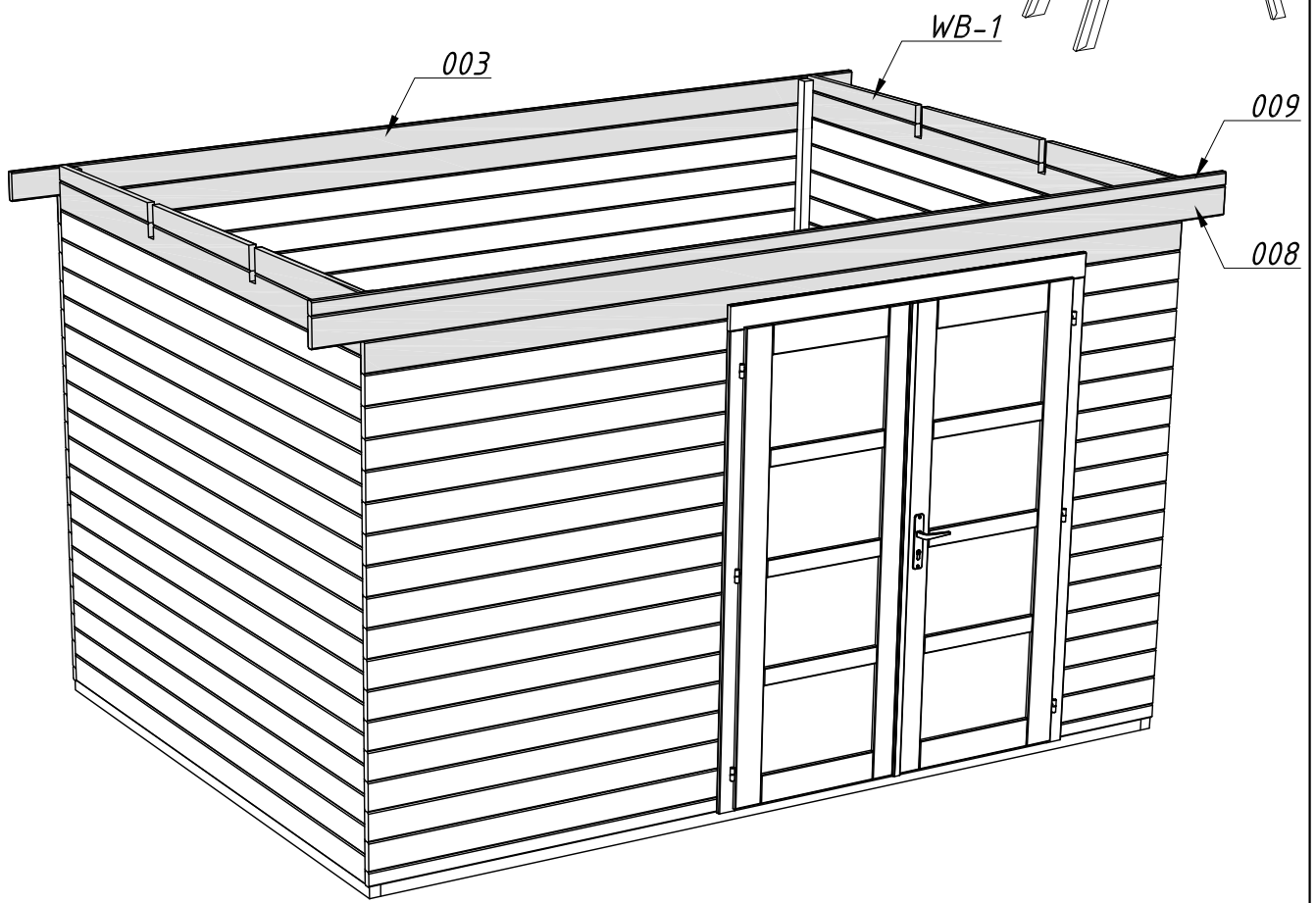
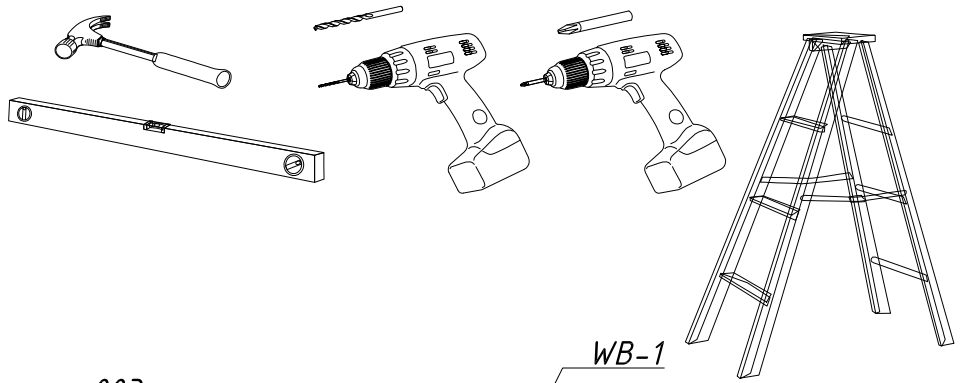
TP1	2	pcs
002	16	pcs
006	16	pcs
007	16	pcs
010	32	pcs
4,5x50	34	pcs (TP1)
4,5x60	256	pcs



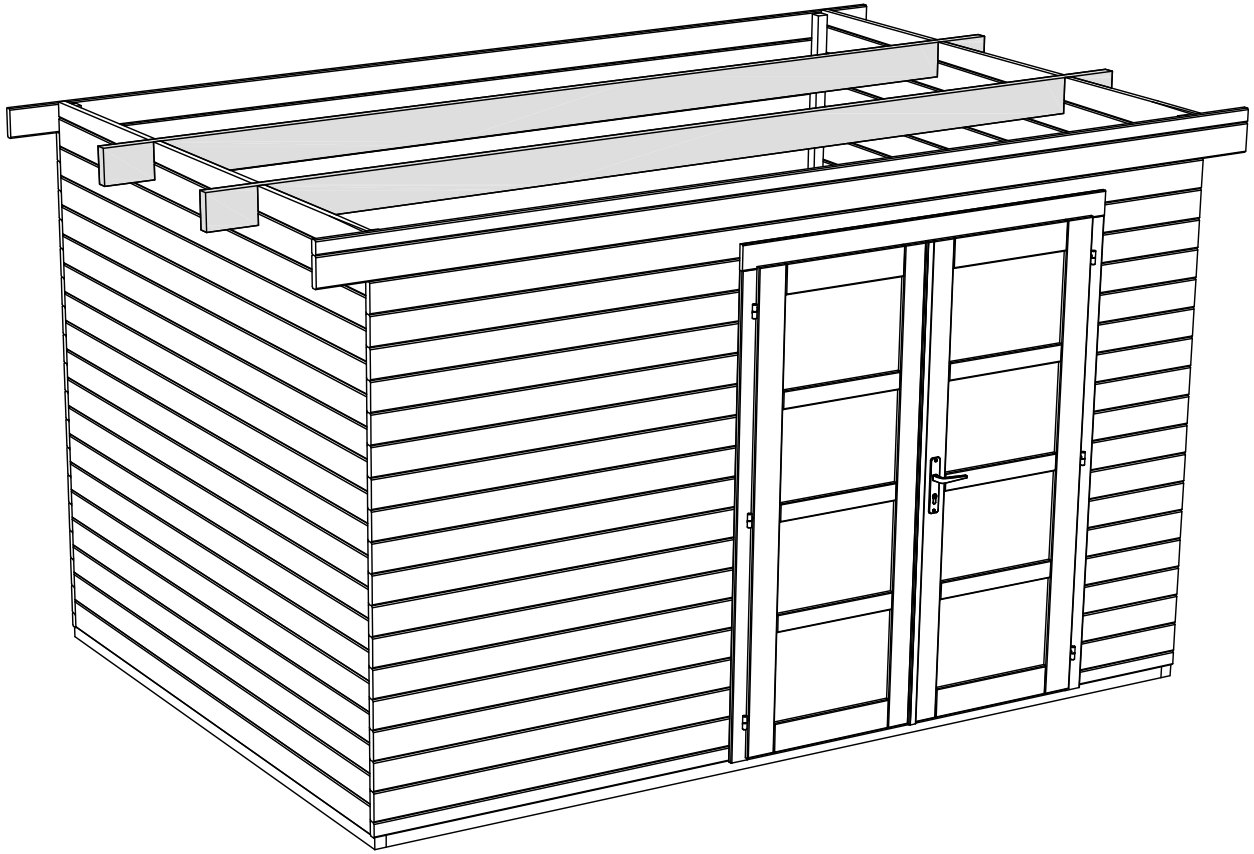
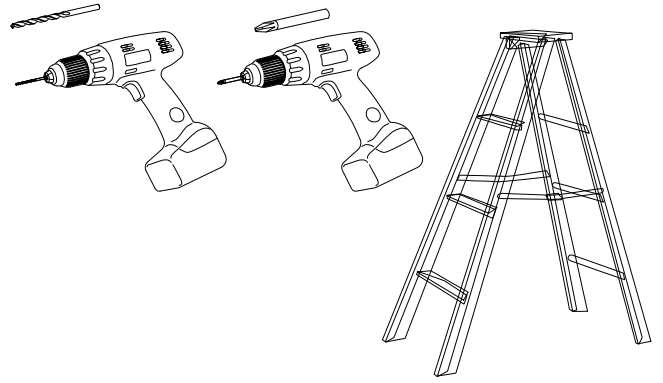
TU28-13R 1 pcs



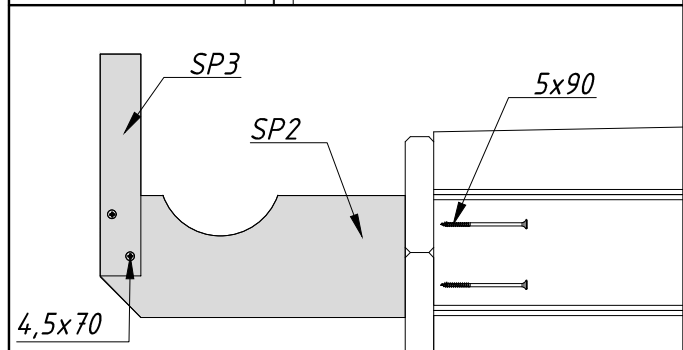
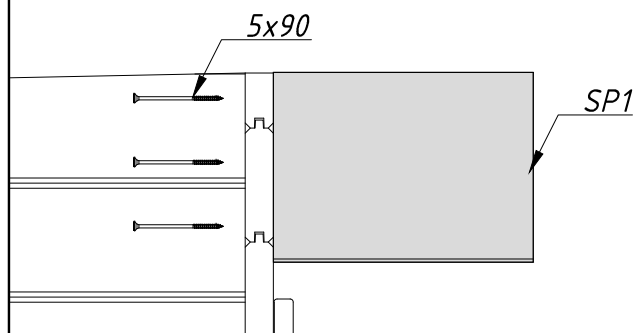
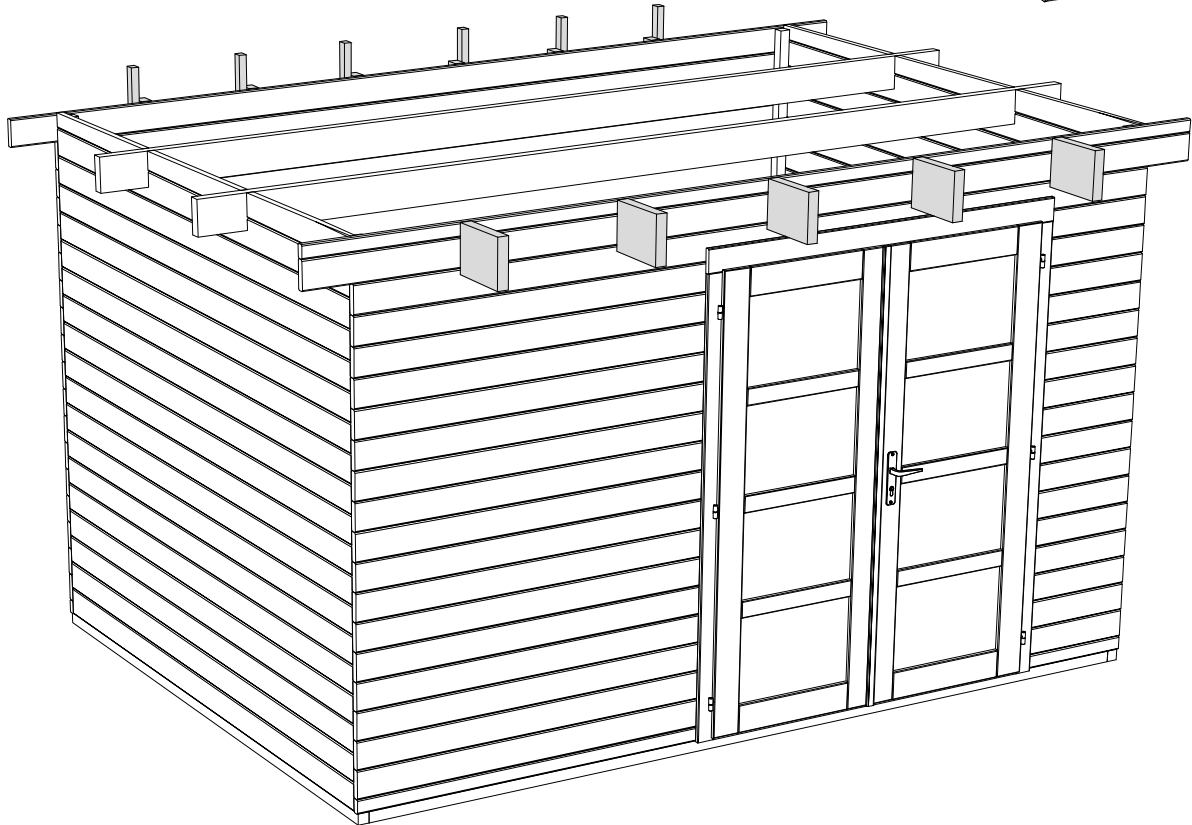
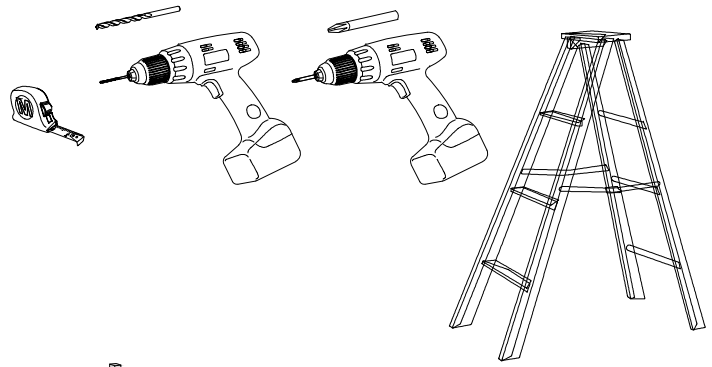
- WA-1 1 pcs
- WB-1 1 pcs
- 002 2 pcs
- 003 1 pcs
- 008 1 pcs
- 009 1 pcs
- 4,5x60 36 pcs



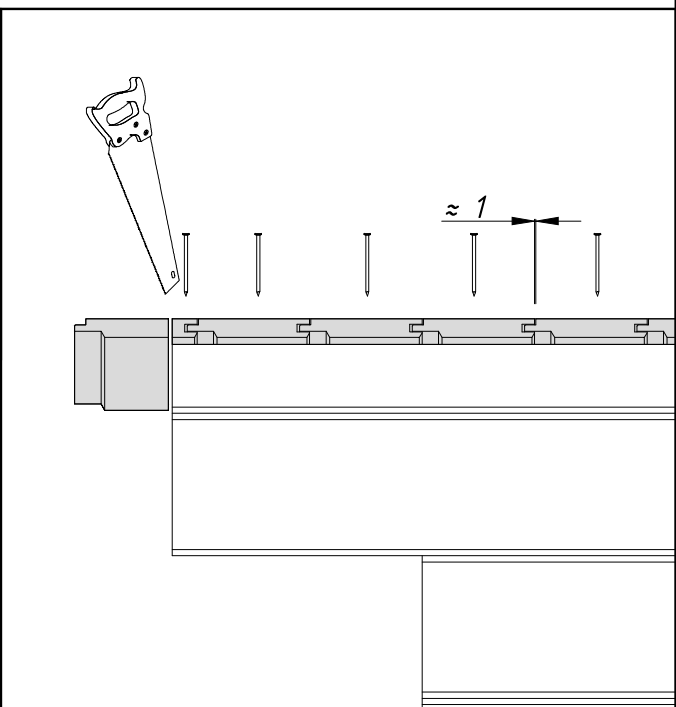
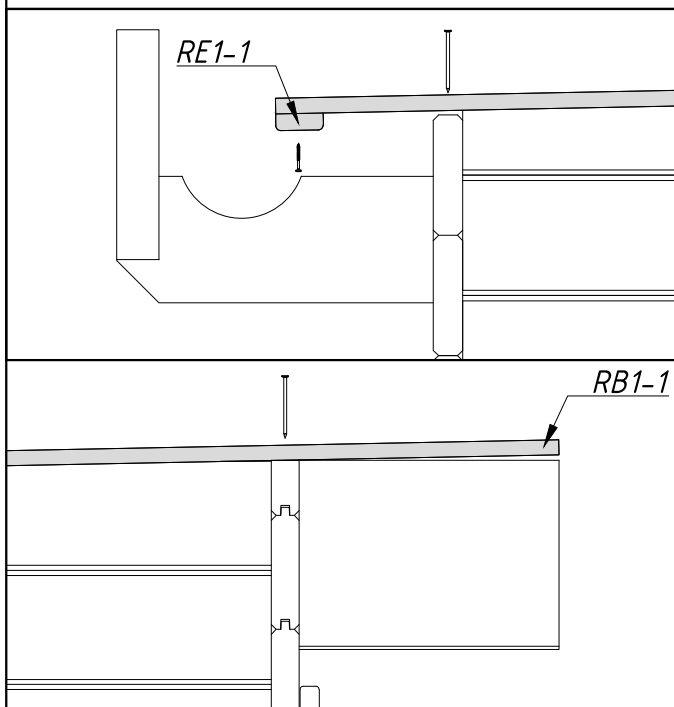
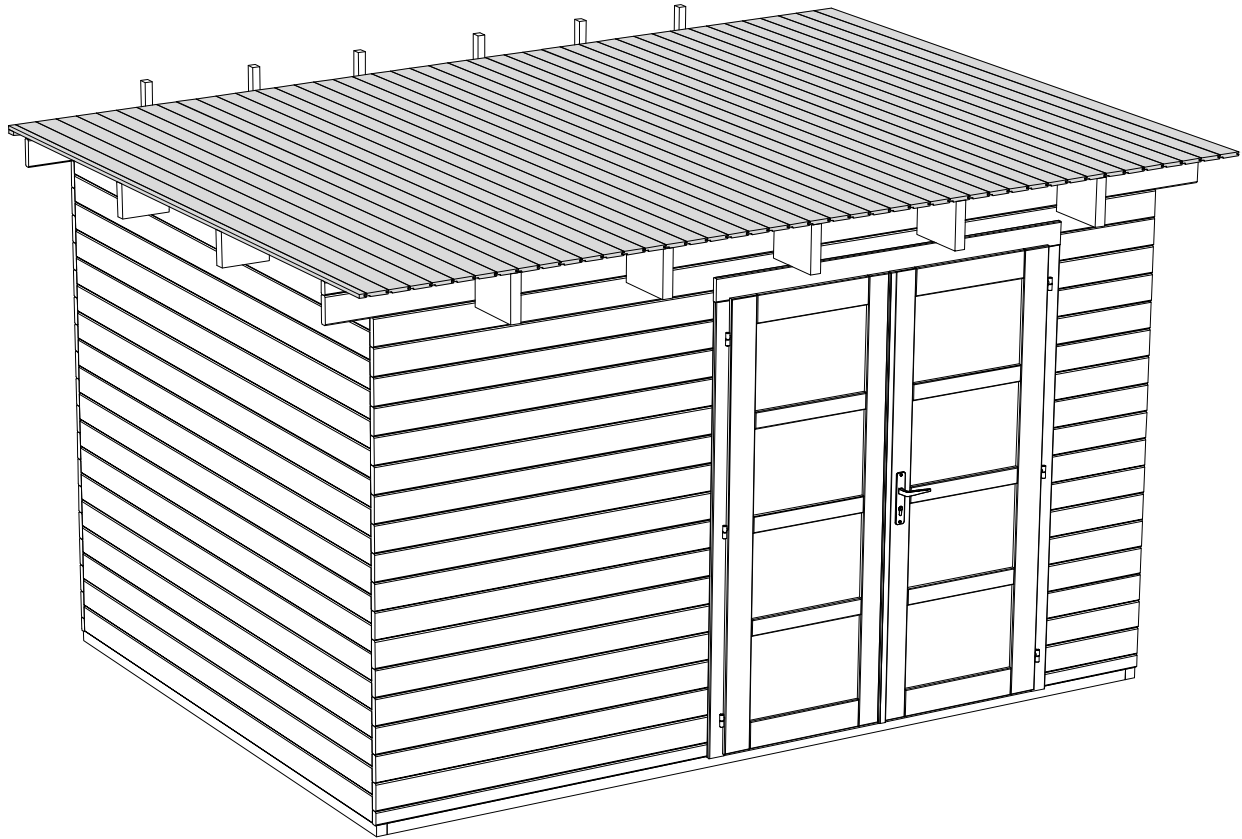
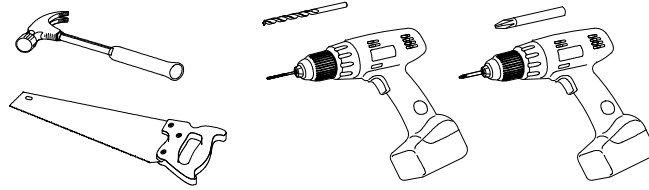
PR1 2 pcs
6x120 4 pcs



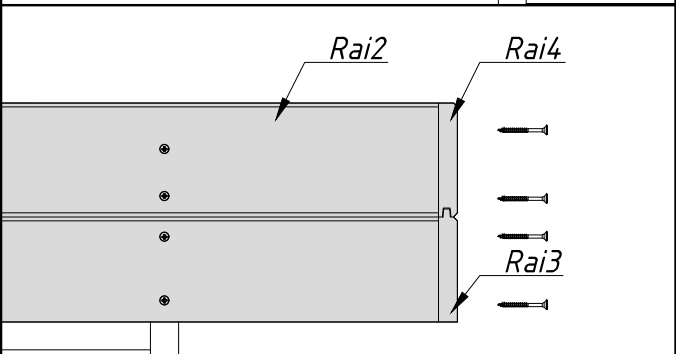
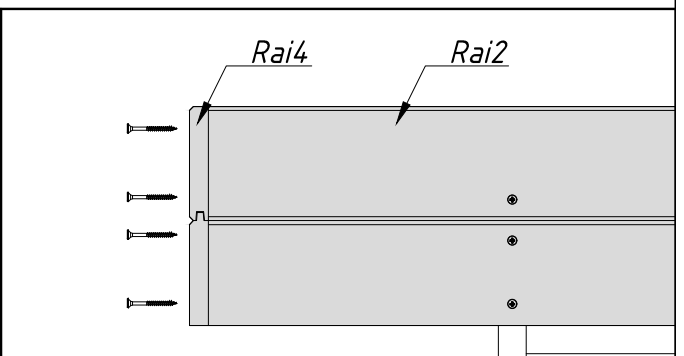
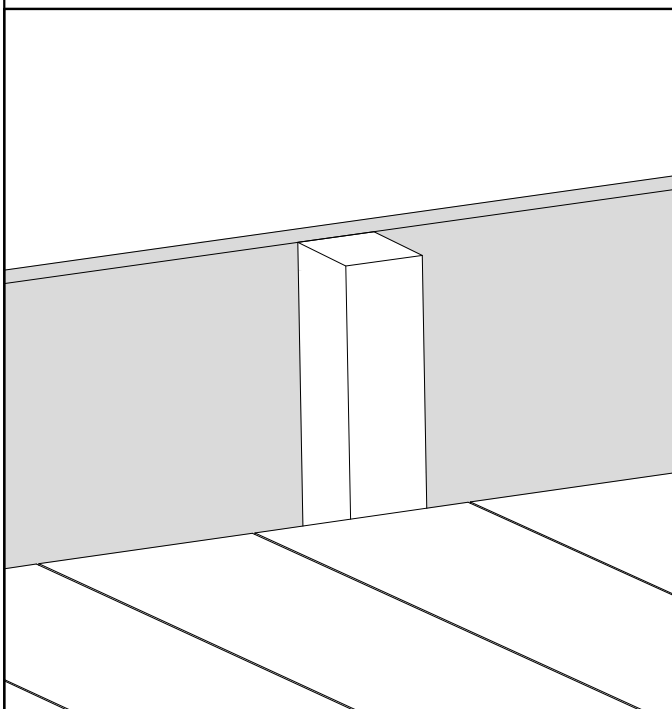
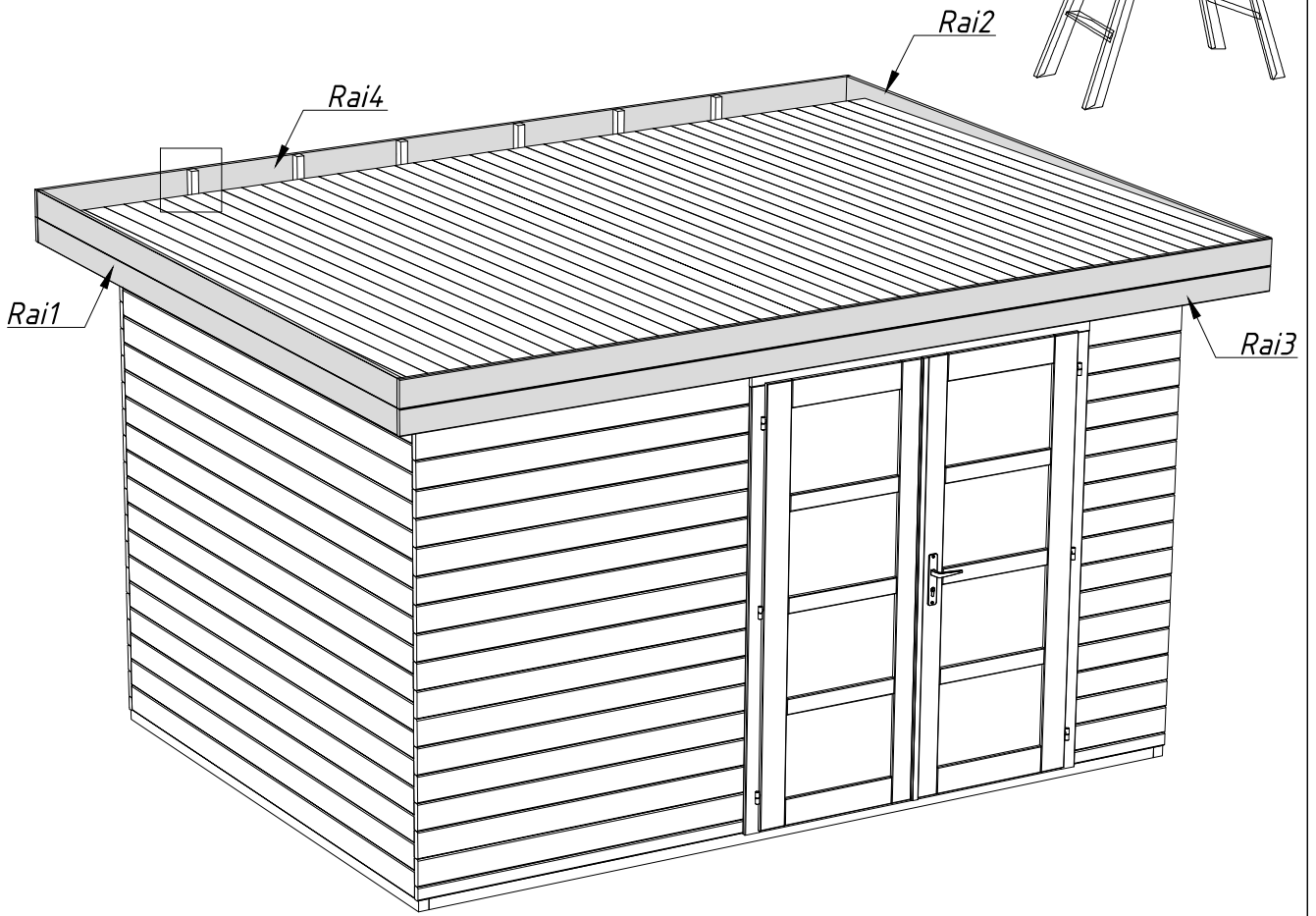
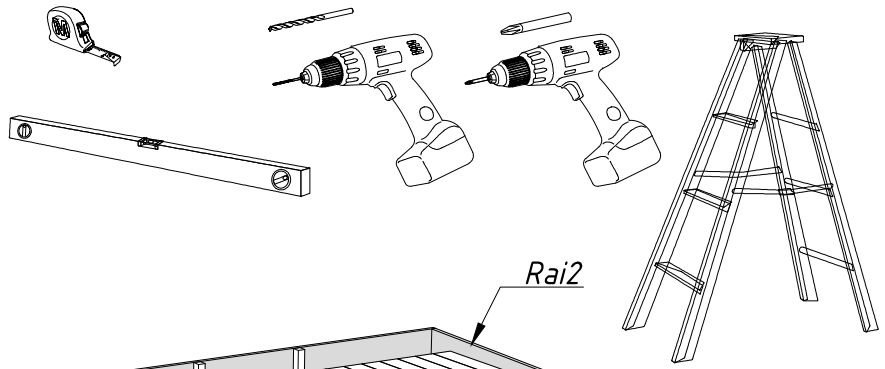
SP1	5	pcs
SP2	6	pcs
SP3	6	pcs
4,5x50	12	pcs
5x90	27	pcs



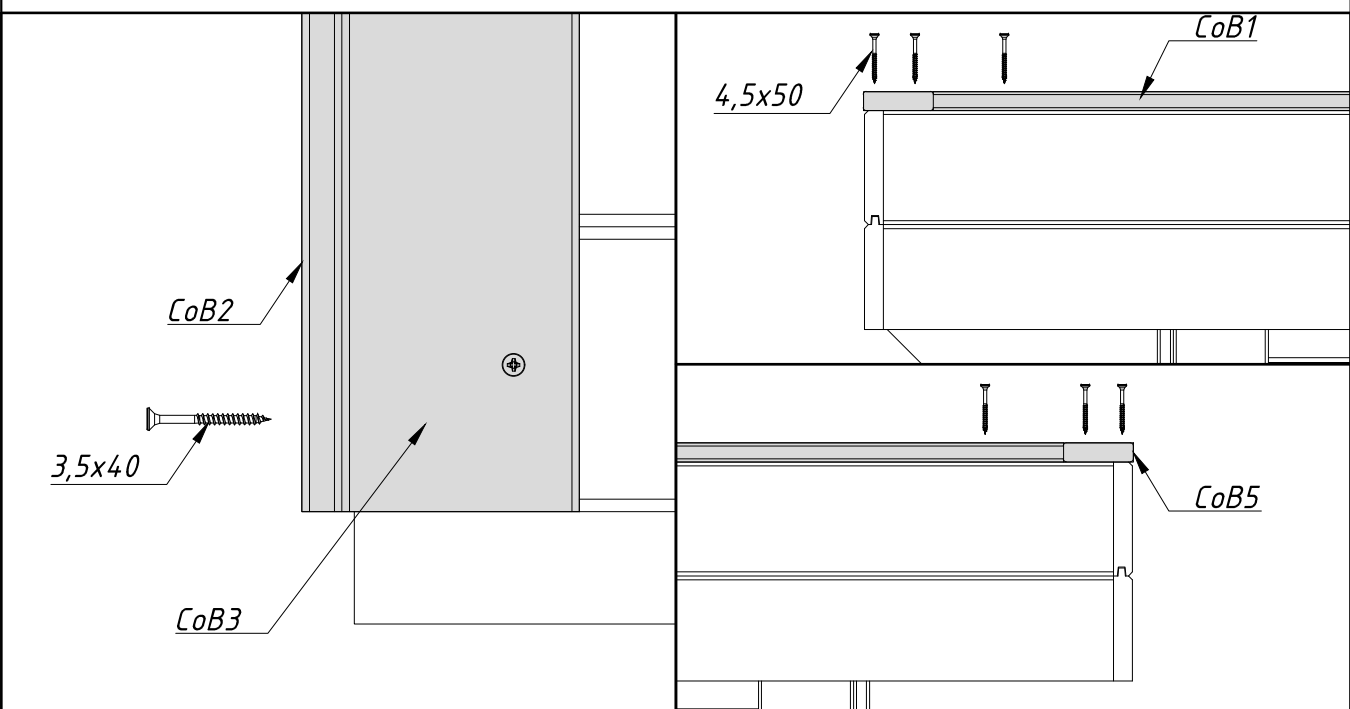
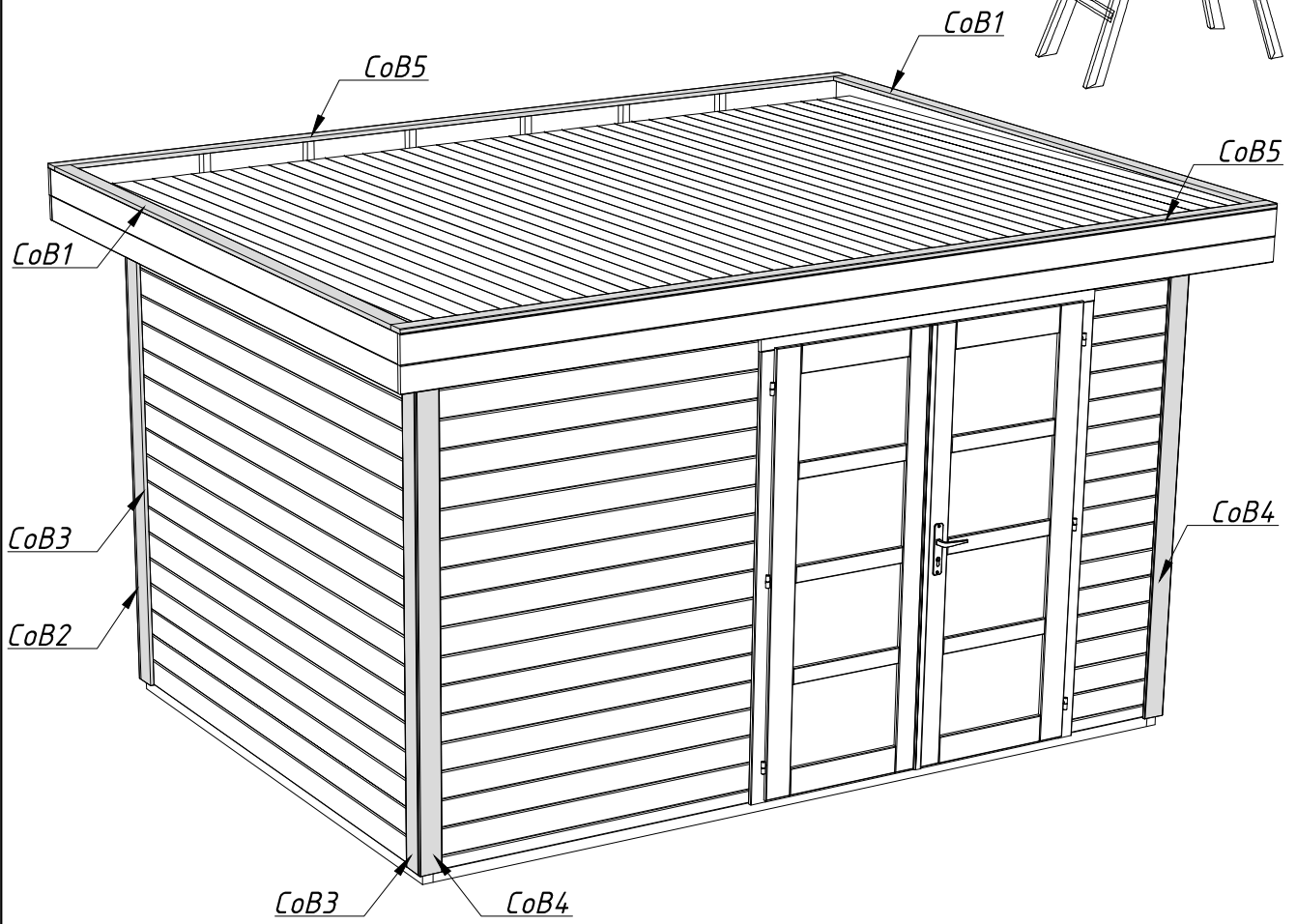
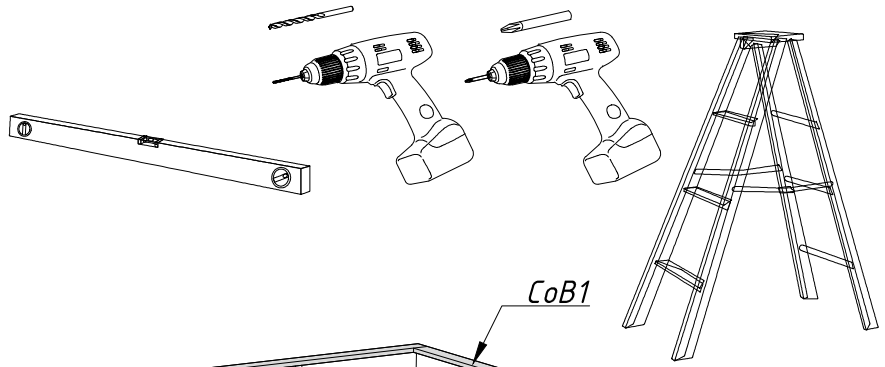
RB-1 44 pcs
 RE1-1 2 pcs
 2,5x50 200 pcs
 3x30 12 pcs
























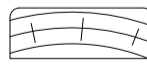
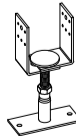
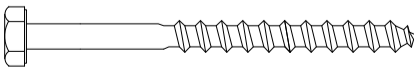



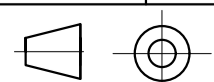
- Rai1 2 pcs
- Rai2 2 pcs
- Rai3 2 pcs
- Rai4 2 pcs
- 4,5x50 92 pcs

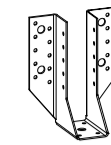

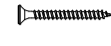
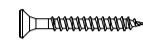
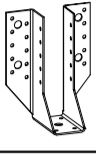
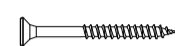
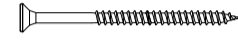






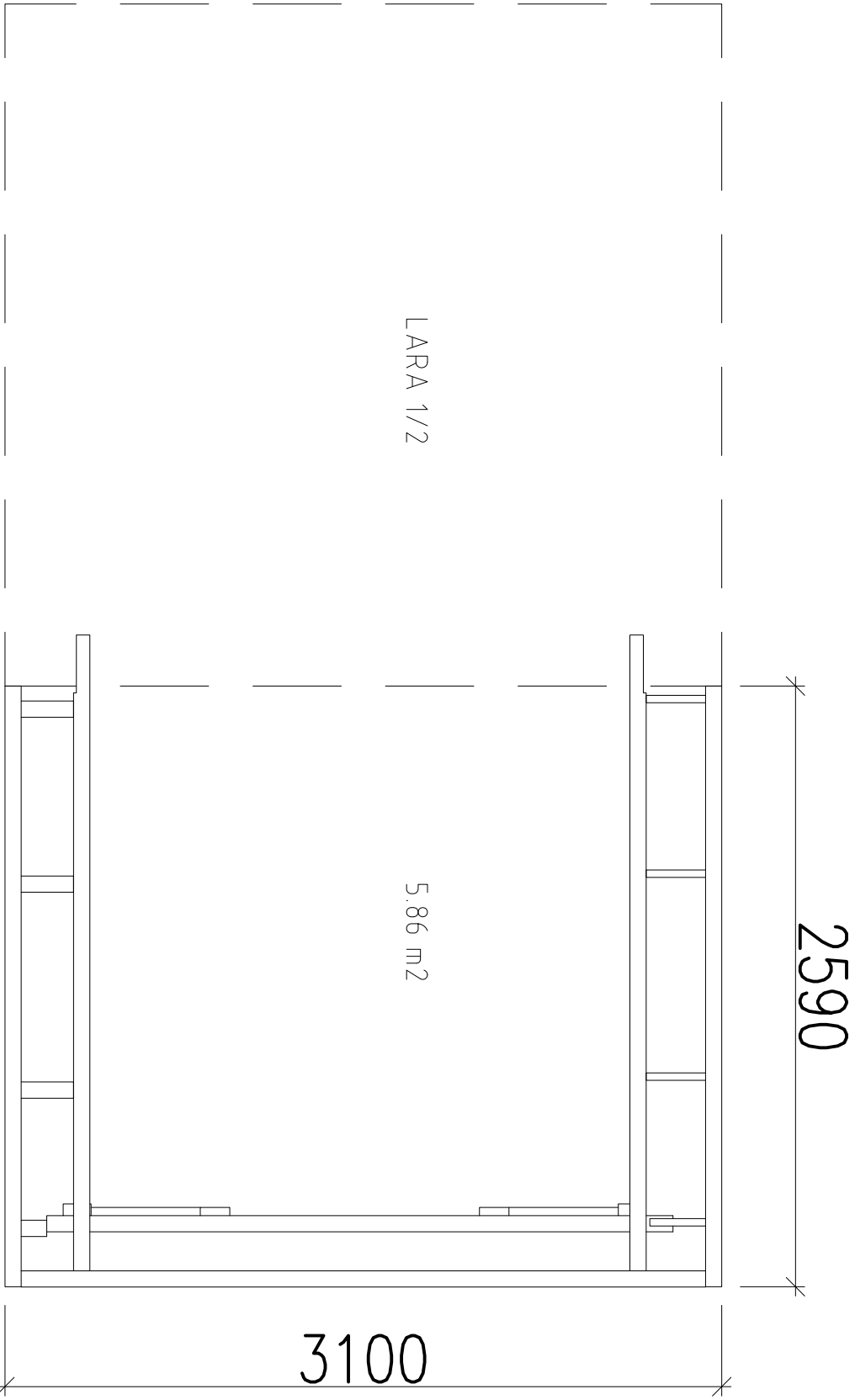
CoB1	2	pcs
CoB2	2	pcs
CoB3	4	pcs
CoB4	2	pcs
CoB5	2	pcs
3,5x40	80	pcs
4,5x50	32	pcs



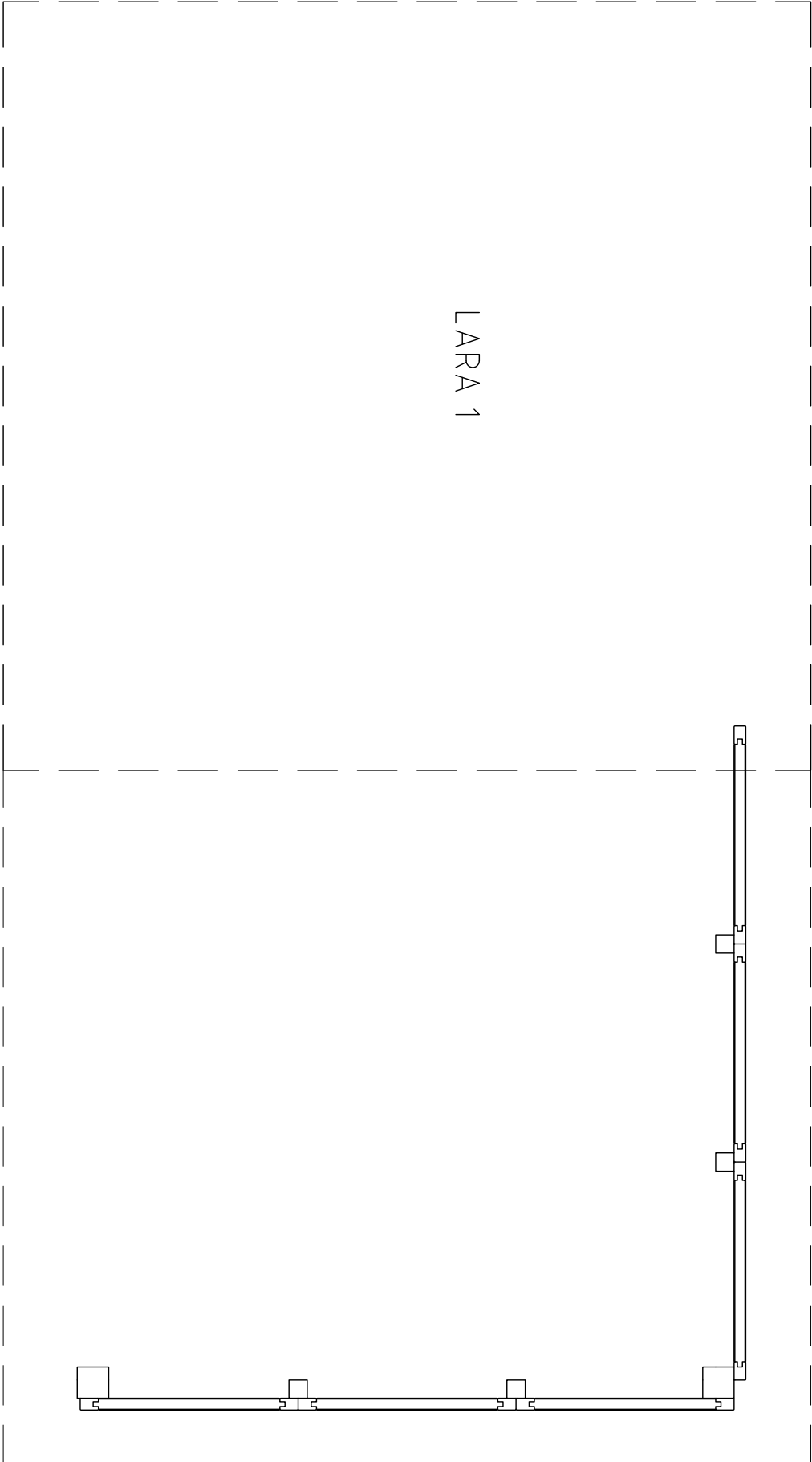
Pos	SPECIFICATION-STÜCKLISTE-NOMENCLATURE-ELEMENTI-ESPECIFICACIÓN LA-2425	Pcs	Profile (mm)	Length (mm)
BM1	Beam- Balken- Poutre- Trave- Viga 	1	60x160	2446
BM3	Beam- Balken- Poutre- Trave- Viga 	1	44x168	2556
BM2	Beam- Balken- Poutre- Trave- Viga 	1	44x140	2556
CoB1	Covering board- Deckbrett- Madrier de couverture- Tavola di copertura- Listón de cubierta 	1	70x19	2960
CoB2	Covering board- Deckbrett- Madrier de couverture- Tavola di copertura- Listón de cubierta 	2	70x19	2371
Pst2	Post- Pfosten- Poteau- Montante- Poste 	1	90x90	2108
Pst1	Post- Pfosten- Poteau- Montante- Poste 	1	90x90	2108
Pst4	Post- Pfosten- Poteau- Montante- Poste 	1	70x70	700
Pst3	Post- Pfosten- Poteau- Montante- Poste 	1	70x70	700
Rai1	Railing board- Geländer- Barre de rambarde- Tavola di ringhiera- Tabla de barandilla  	1	19x114	3060
Rai4	Railing board- Geländer- Barre de rambarde- Tavola di ringhiera- Tabla de barandilla  	2	19x114	2371
Rai2	Railing board- Geländer- Barre de rambarde- Tavola di ringhiera- Tabla de barandilla  	1	19x105	3060
Rai3	Railing board- Geländer- Barre de rambarde- Tavola di ringhiera- Tabla de barandilla  	2	19x105	2371
SP1	Support brace- Stützleiste- Baguette de support- Listello di supporto- Listón de soporte 	4	44x120	328
SP3	Support brace- Stützleiste- Baguette de support- Listello di supporto- Listón de soporte 	3	44x120	288
SP4	Support brace- Stützleiste- Baguette de support- Listello di supporto- Listón de soporte 	2	44x120	186
SP2	Support brace- Stützleiste- Baguette de support- Listello di supporto- Listón de soporte 	4	32x40	218
PR1	Purlin- Dachpfette- Arbalétrier- Arcareccio- Correa 	2	44x120	2326
RB1-1	Roof board- Dachbrett- Madrier du toit- Tavola tetto- Tabla de tejado 	28	89x16	2910
RE1-1	Roof edge reinforcement- Dachrandleiste- Baguette en bordure du toit- Rinforzo bordo tetto- Refuerzo borde tejado 16x45 	1	16x45	2492
Fim	-Fixing kit- Befestigungsset- Moyens de fixation- Materiale di fissaggio- Kit de fijación	1	USE	
QLA80	Adjustment bolt - Senkbolzen - Boulon de réglage - Bullone di regolamento- Perno de ajuste 	2	Pst1; Pst2	
QKRKK8 x120Zn	Bolt -Schloss-schraube -Boulon- Bullone- Perno- 8x120mm KSKR 	2	Pst3; Pst4	
QKA20	Hole plug- Abdeckkappe- Cache-vis- Tappi in legno- Embellecedor- QKA20 	2	Pst3; Pst4	

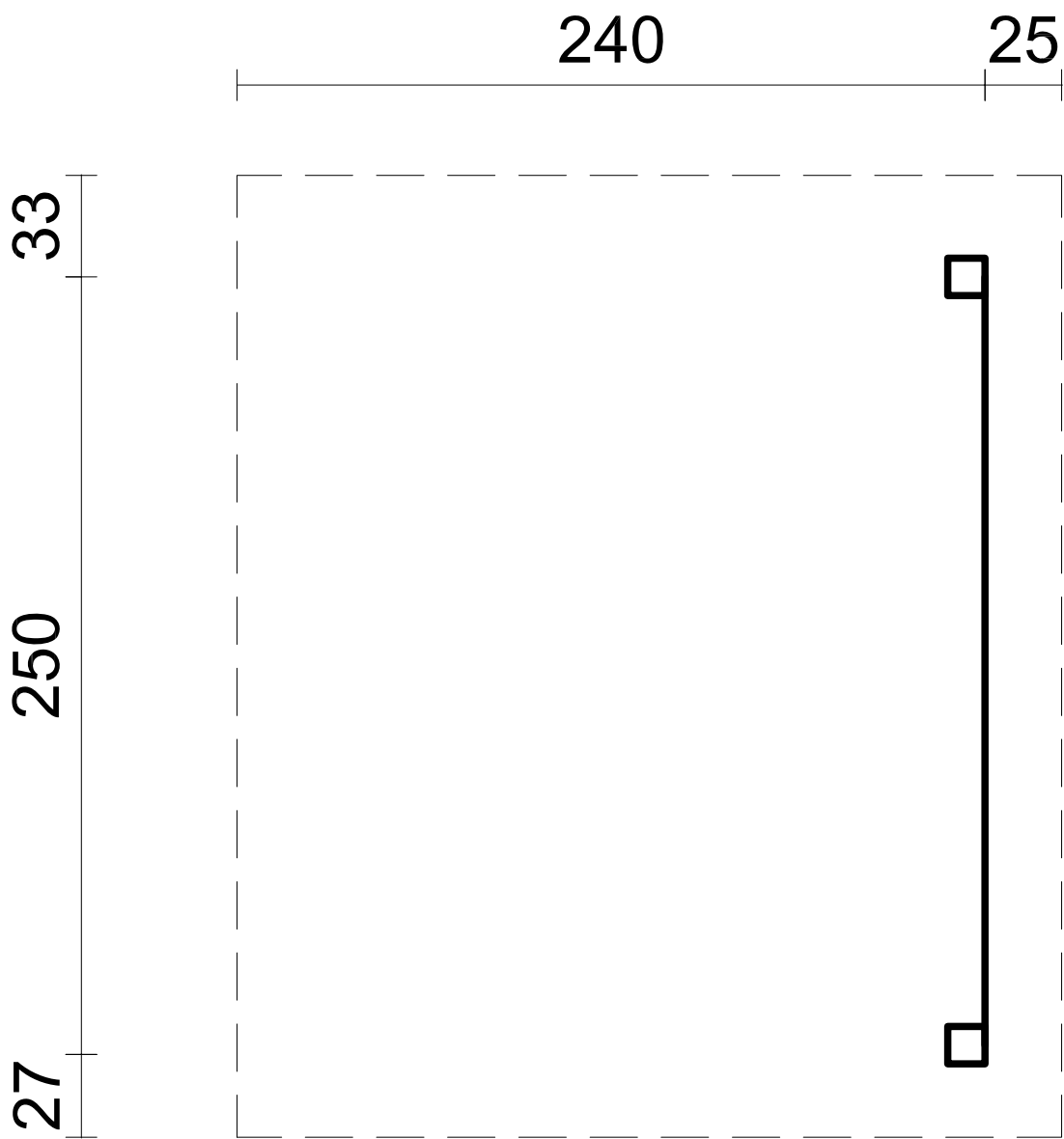


Pos	SPECIFICATION-STÜCKLISTE-NOMENCLATURE-ELEMENTI-ESPECIFICACIÓN LA-2425	Pcs	Profile (mm)	Length (mm)
QTK45 x107Zn	Joist hanger- Balkenschuhe- Étrier a solive- Gancio travetto- Suspensión de la viga- QTK45x107Zn		2	PR1
QNA2 2x50Zn	Nail- Nagel- Clou- Chiodo- Clavo- 2.5x50mm		120	RB1-1
QKRPP 3x30Zn	Screw- Schraube- Vis- Vite- Tornillo- 3x30mm		5	RE1-1
QKRPP4 _5x40Zn	Screw- Schraube- Vis- Vite- Tornillo- 4.5x40mm		25	 +PR1
QKRPP4 _5x50Zn	Screw- Schraube- Vis- Vite- Tornillo- 4.5x50mm		90	QLA80; QTK+BM1; SP1+SP2; Raix; Cobx
QKRPP4 _5x70Zn	Screw- Schraube- Vis- Vite- Tornillo- 4.5x70mm		10	BM2+wall; BM3+wall
QKRPP 5x90Zn	Screw- Schraube- Vis- Vite- Tornillo- 5x90mm		25	BM1+Pstx; PR1; SP1
QKRPP6 x120Zn	Screw- Schraube- Vis- Vite- Tornillo- 6x120mm		15	BM2; BM3; SP3; SP4
QSE8 x20Zn	Washer- Dichtscheibe- Joint- Rondella- Arandela- 8x20mm		2	

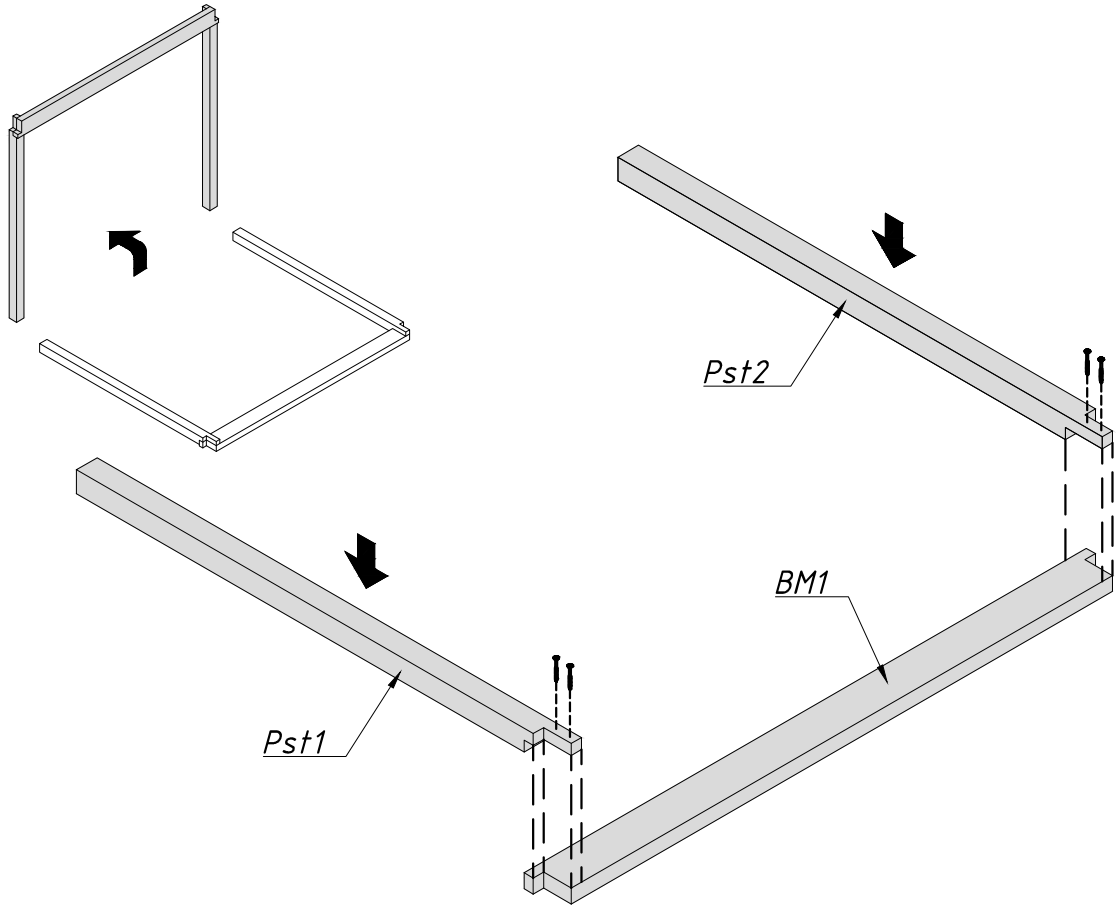


LARA 1



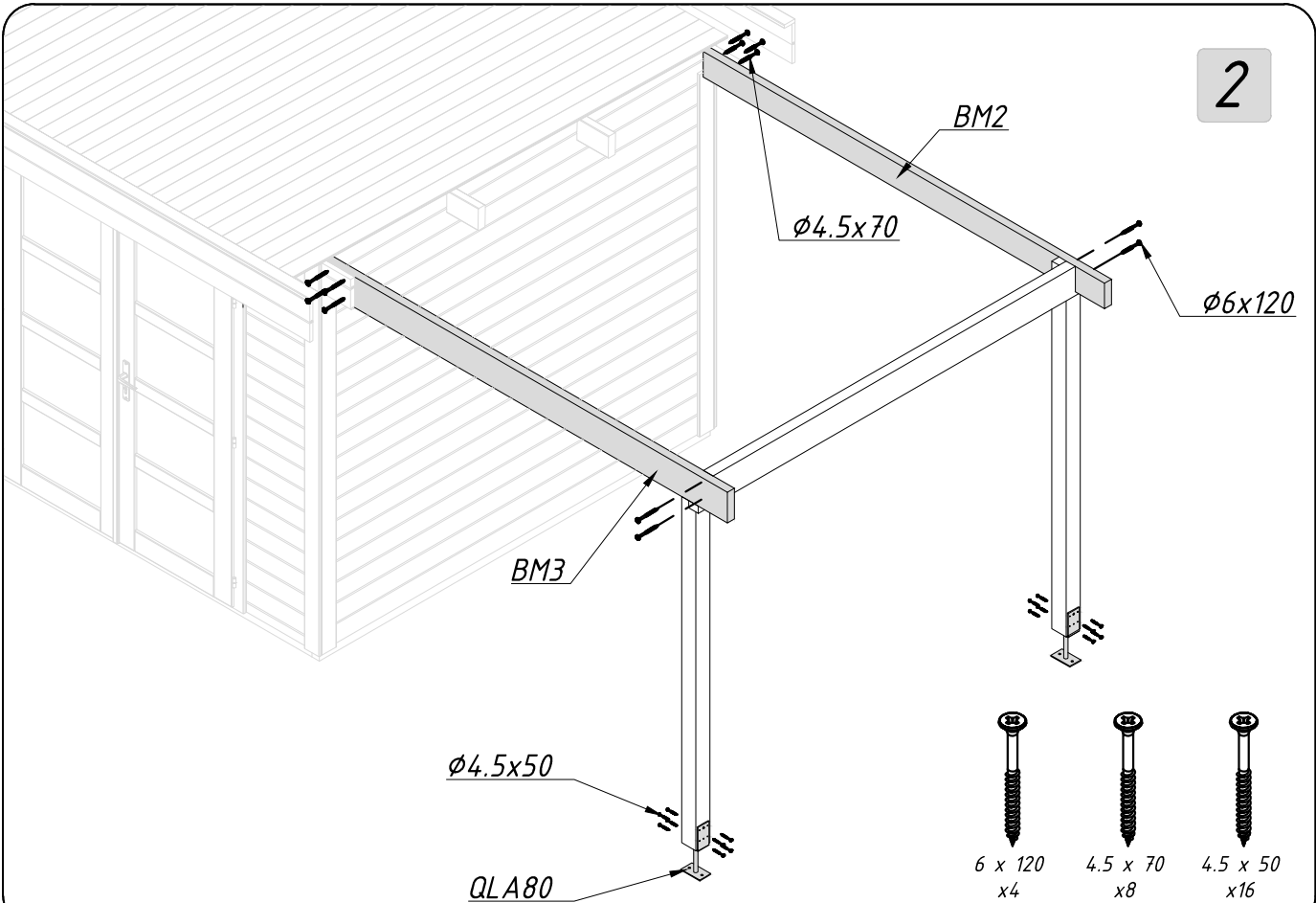


1



5×90
 $x4$

2

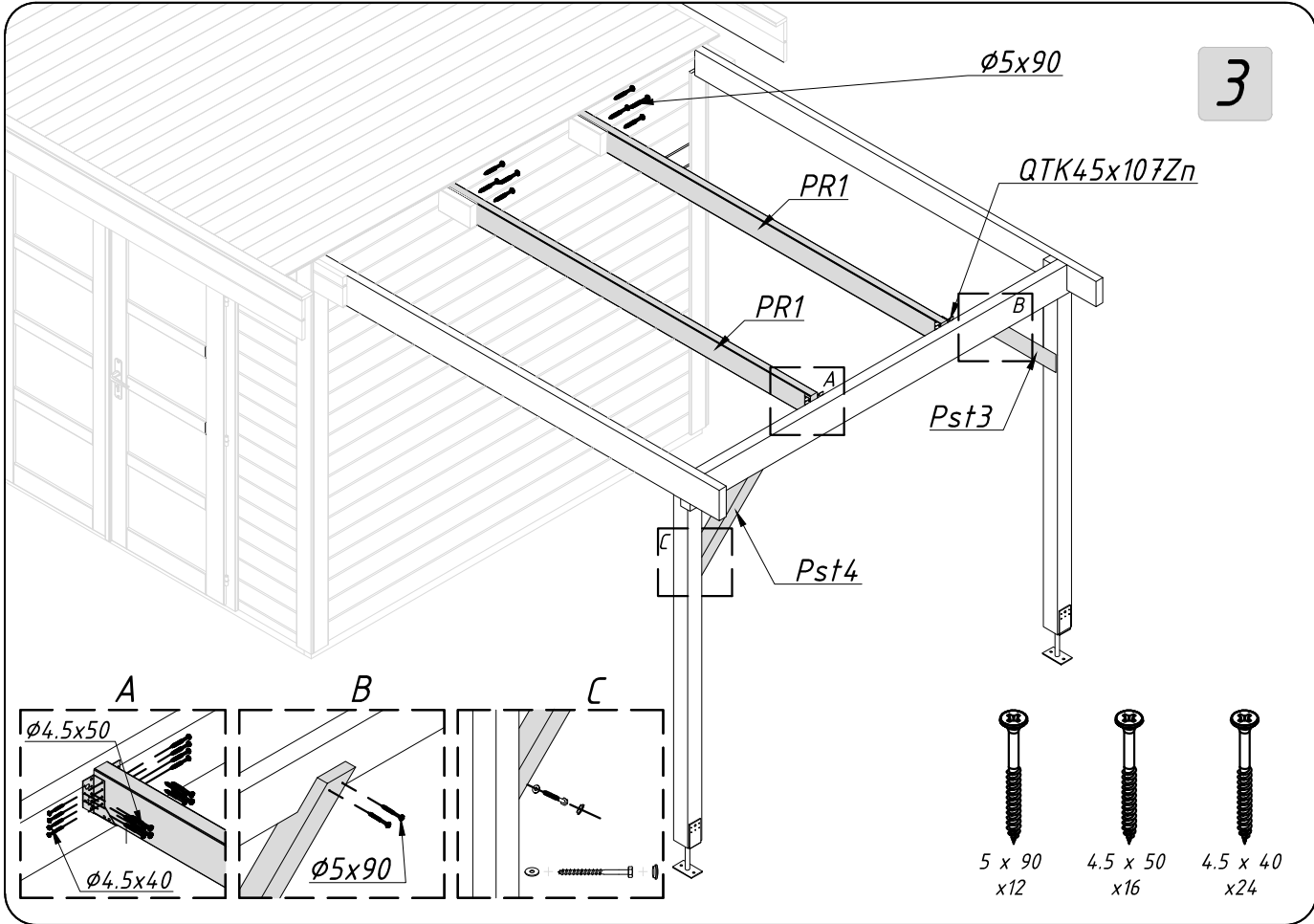


6×120
 $x4$

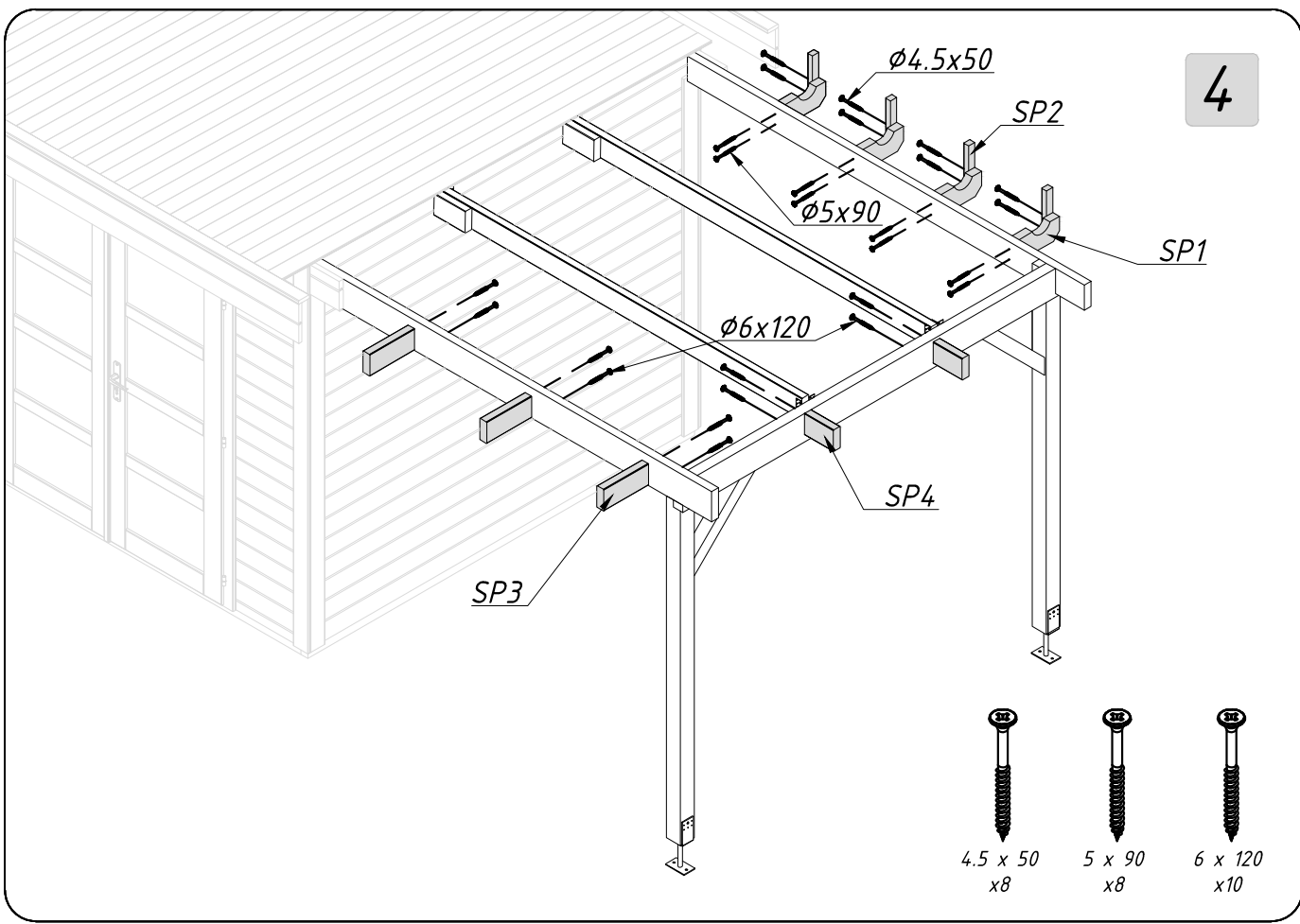
4.5×70
 $x8$

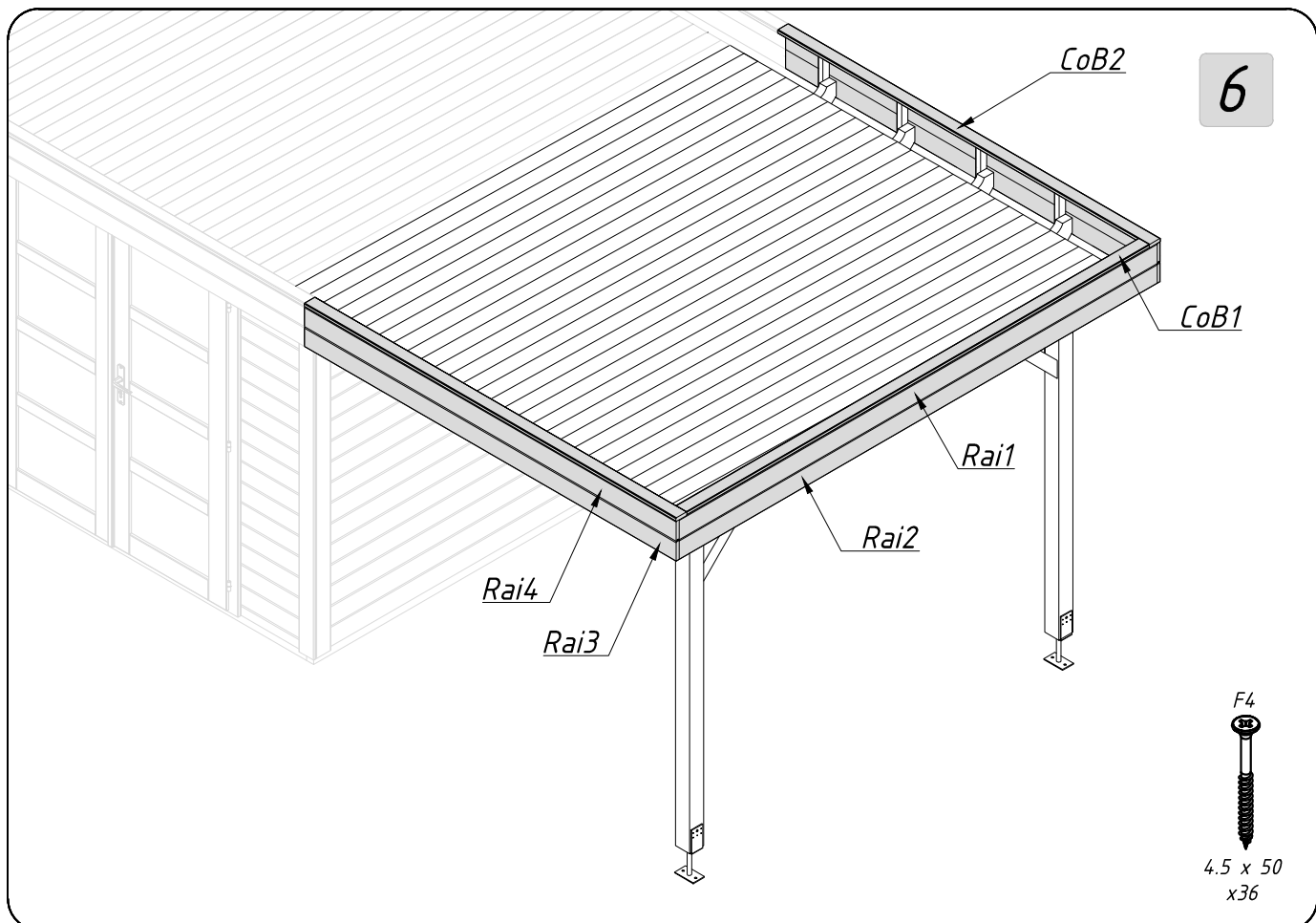
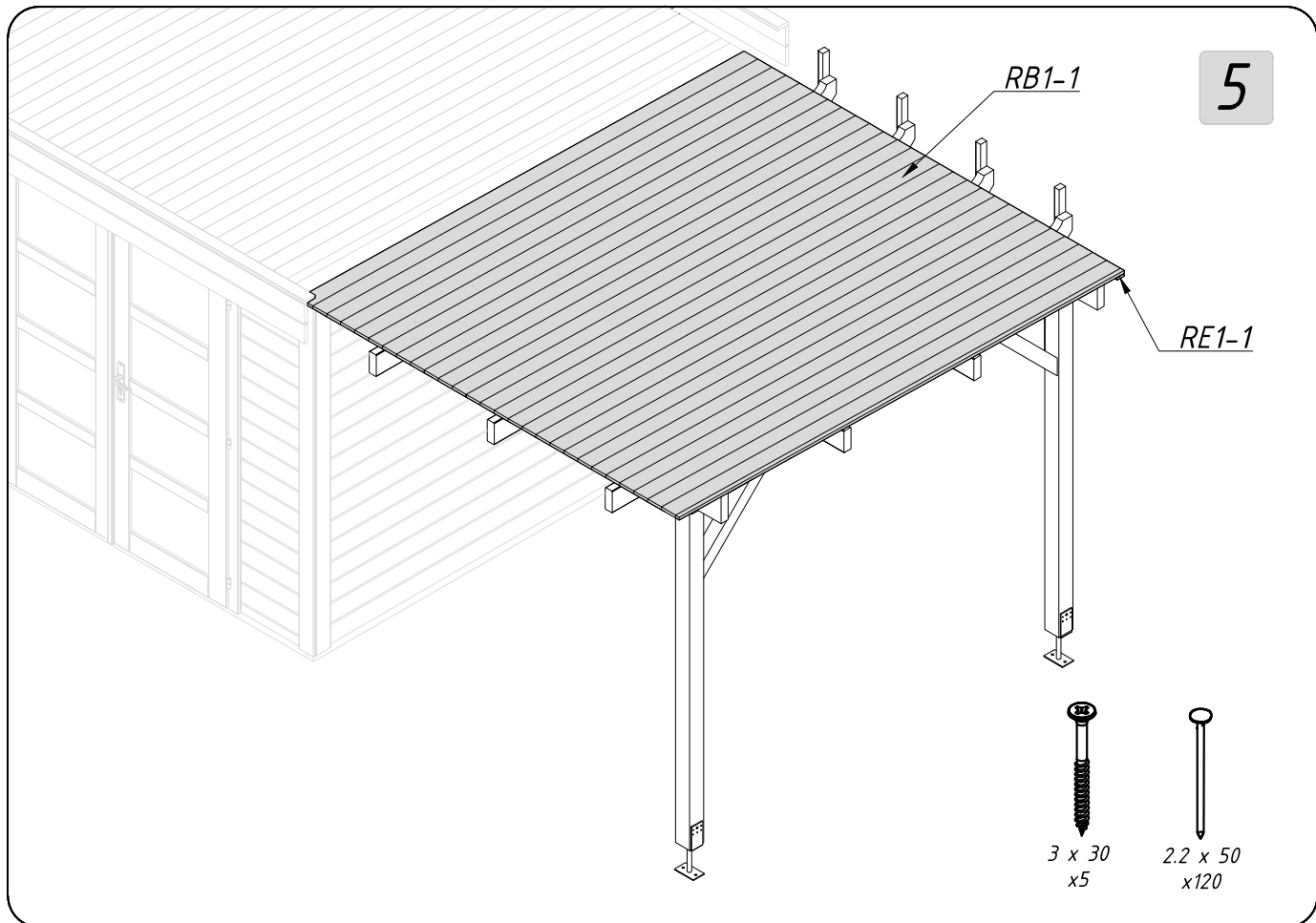
4.5×50
 $x16$

3



4





1 General information



Dear client,

We are glad that you have decided in favour of our garden house!

Please read the assembly manual carefully before proceeding with the house installation! You will thus avoid problems and will not waste time.

Recommendations:

- Keep the house package until its complete assembly in a dry place, but not in direct contact with the ground, protected from weather conditions (moisture, the sun, etc.). Do not keep the house package in a heated room!
- When selecting the garden house location, make sure that the house will not be subjected to extreme weather conditions (areas of strong snowfall or winds); otherwise you should attach the house (for instance, with anchors) to the subsoil.



Warranty

Your house is made from high quality spruce and delivered in the natural (unprocessed) form. If, despite our thorough inspection, you should have complaints, please submit the filled out control sheet and purchase invoice to the product seller.

ATTENTION: Please be sure to keep the documentation accompanying the house package! The control sheet includes the control number of the house. We can only review complaints if you submit the control number of the house to the seller!

The warranty does not cover:

- Peculiarities of wood as a natural material
- Wooden details already painted (processed with a wood preservative)
- Wooden details containing whole branches that do not endanger the stability of the house
- Colour tone variations caused by wood structure differences that do not influence wood lifetime
- Wooden details containing (caused by drying) small cracks/gaps that do not pass through and do not influence the structure of the house
- Twisted wooden details if they can nevertheless be installed
- Roof and floor boards that may have on their concealed surfaces some non-planed areas, colour differences and waning
- Complaints resulting from an incompetent manner of the installation of the house or the house subsiding due to an incompetently made foundation
- Complaints caused by introducing self-initiative changes to the house, such as the deformation of wooden details and doors/windows due to an incompetent manner of wood processing; the attachment of storm braces too rigidly, doorframes being screwed onto wall logs, etc.

The complaints covered by the warranty are satisfied to the extent of replacing the deficient/faulty material. All other demands will be excluded!



Garden house painting and maintenance

Wood is a natural material, growing and adapting depending on weather conditions. Large and small cracks, colour tone differences and changes, as well as a changing structure of wood are not errors, but a result of wood growing and a peculiarity of wood as a natural material.

Unprocessed wood (except for foundation joists) becomes greyish after having been left untouched for a while, and can be turn blue and become mouldy. To protect the wooden details of your garden house, you must immediately process them with a wood preservative.

We recommend that you cover the floor boards in advance with a colourless wood impregnation agent, especially the bottom sides of the boards, to which you will no longer have access when the house is assembled. Only this will prevent moisture penetration.

We definitely recommend that you also process the doors and windows with a wood impregnation agent, and do that namely both inside and outside! Otherwise the doors and windows can become twisted.

After the house assembly is completed, we recommend for the conclusive finishing a weather protection paint that will protect wood from moisture and UV radiation.

When painting, use high quality tools and paints, follow the paint application manual and manufacturer's safety and usage instructions. Never paint a surface in strong sunlight or rainy weather. Consult a specialist regarding paints suitable for unprocessed softwood and follow the paint manufacturer's instructions.

Having been properly painted, your garden house's lifetime will increase substantially. We recommend that you inspect the house thoroughly once every six months.

2 Preparation for assembly

Tools and preparation of components

To assemble the garden house, you will need the following tools:



assembly aid



ladder



hammer



water-level



screwdriver



saw



knife



measuring tape



pliers



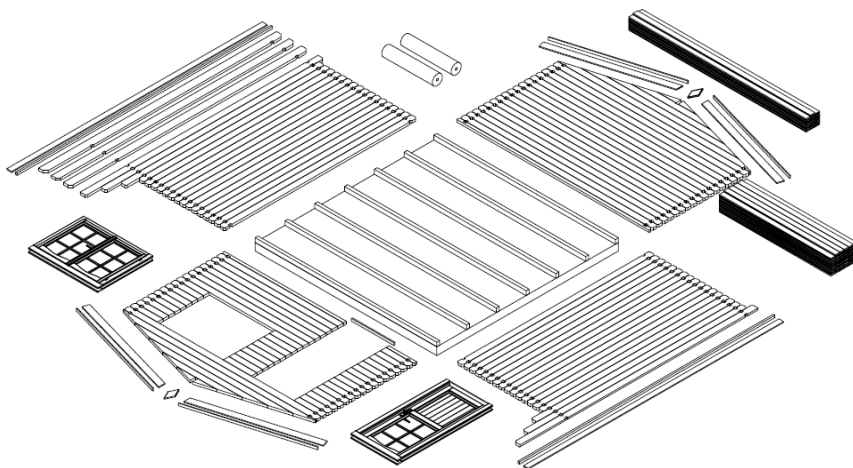
drill

ADVICE: To avoid splinters, we recommend that you wear the corresponding protective gloves during the assembly process.

Preparation of components:

Sort the components based on the wall plans (see Technical specifications) and place them at the four sides of the house in the installation sequence.

ATTENTION: Never place the components directly on grass or a muddy surface because it will be very difficult or even impossible to clean them up later!



Foundation

A good foundation is the most important aspect guaranteeing the duration and safety of your house. Only a completely level, rectangular and bearing foundation will ensure problem-free installation of the house, its stability and especially the matching of the doors. With a good foundation, your house will stand for many years more.

Prepare the foundation so that its upper edge extends from the ground to a height of at least 5 cm. At the same time make sure that there are sufficient air apertures under the house floor for ventilation.

We recommend the following foundation options:

- Strip or spot foundation
- Foundation from concrete or pavement slabs
- Cast concrete bed

Prepare the foundation so that the foundation joists are propped up on every side with intervals not exceeding 50-60 cm.

Consult an expert in this field or have the foundation prepared by specialists.

3 Garden house assembly

ATTENTION:

- The house package also includes 2-3 marked hitting blocks (wall profile approximately 20-30 cm long).

All of the details listed above ARE NOT mentioned in the specification list.

- The drawings have the details marked with three-digit position numbers. The exact positions of those details that have the third digit "X" can be found in the specification list.

Base frame (Foundation joists)

The base frame of the house must be completely flat and level to ensure that the installation proceeds without problems.

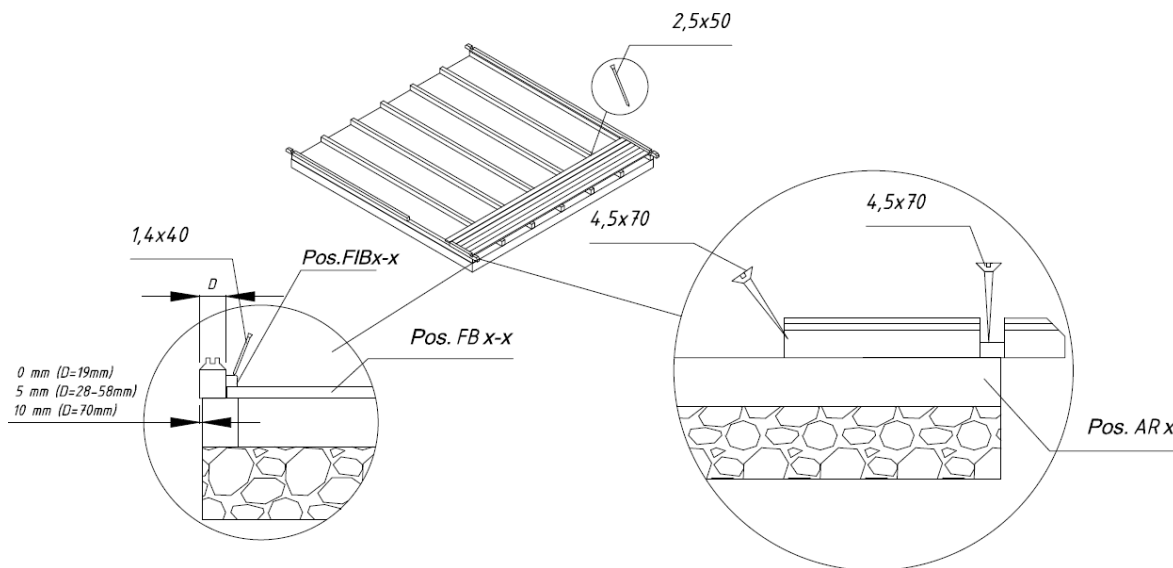
ATTENTION: different house can have different foundation placements – see the appended base frame drawing (in Technical specifications)!

Place the impregnated foundation joists on the prepared foundation in accordance with the drawing at equal intervals. Make sure that the joists are level and rectangular prior to screwing them together.

ADVICE: It is recommended to place between the foundation joists and foundation a damp-proof course that will protect the house from moisture and decay.

ADVICE: To ensure protection from wind and storm, it is recommended to attach the foundation joists to the foundation (for this, you can use for instance metal angles, anchors, etc.). The corresponding materials are not included in the supplied kit!

Installation of foundation joists:



Walls

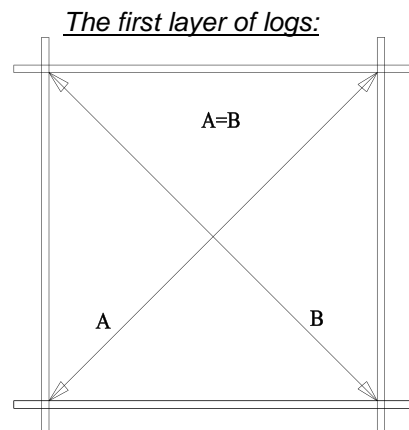
When installing the walls, it is important to remember that:

- The logs are always assembled with their tongue upwards!
- If necessary, use the hitting block and hammer! Never directly hit the tongue with the hammer!

Install the walls in accordance with the appended wall plans (see Technical specifications).

First of all place half logs of front and back wall at the correct location and attach them with screws to the foundation joists. Then install the side wall logs. Make sure that the first layer of logs extends a bit over the foundation joists: the logs must extend over the joists by some 3-5 mm. You will thus protect the house from moisture, allowing the free flow of rainwater into the ground.

ATTENTION: After the first layer of logs, measure the diagonal lengths and, if necessary, re-install the logs. Only if the diagonal lengths are completely equal is the base frame rectangular and you can mutually attach the logs.



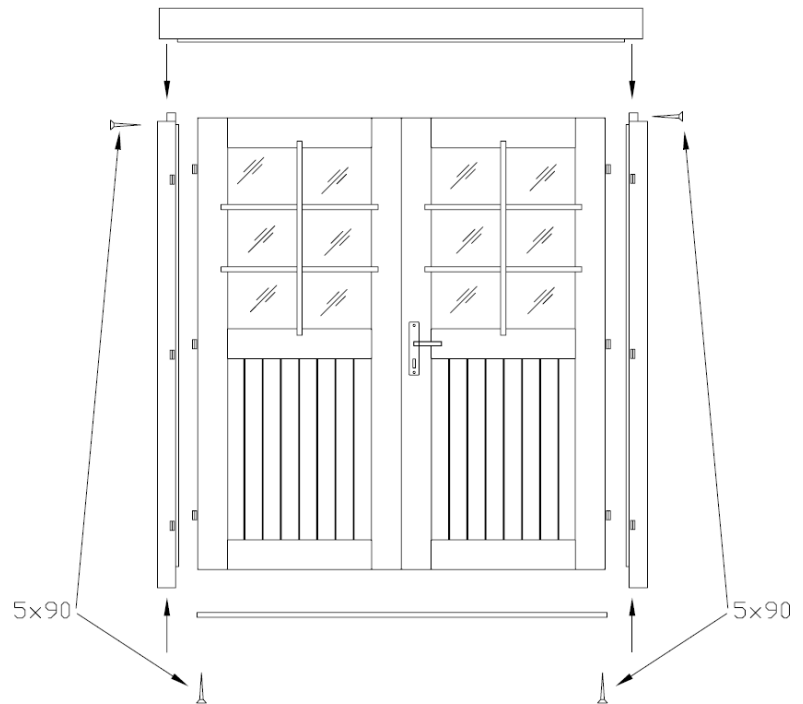
Continue the installation of the walls by strongly forcing the wall logs into one another. If necessary, use the hitting block and hammer. At the same time, do not forget to begin the installation of the door and windows. You should definitely begin the door installation after the 5th-6th layer of logs.

Door and window

Doorframe:

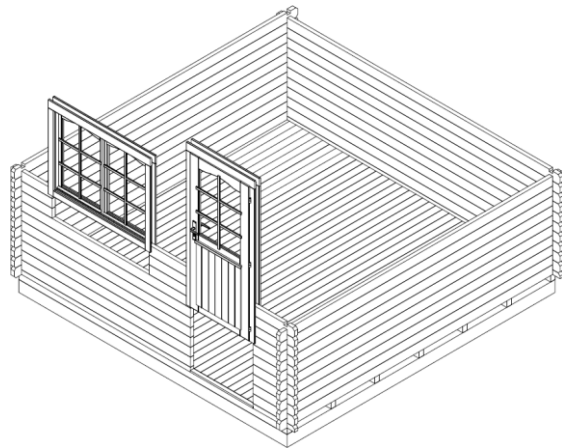
- If it is a double door, the doorframe is supplied in separate parts due to transportation requirements and you will have to begin by assembling it.
- To do this, place together the 4 parts of the frame and screw them onto one another.
- Make sure that the part of the frame with the deeper notch is installed upwards. The lateral jamb parts have hinges and are mirrored.
- It is recommended to install the leaves later.
- If it is a single door, its frame and leaf are supplied already assembled.

Doorframe installation (Only necessary for a double door!):



Door installation:

The doorframe is placed at the formed aperture and pushed with force onto the lower log. If it is a double door, place the leaves on the hinges now. To open and close the door, fit the separately packaged lock and handle.



Window installation:

Continue with the installation of the wall logs until you reach the window height. The wall plans (see Technical specifications) show how many logs go under the window. Install the window similarly with the door. Just like the door, push the window frame with the window into the window aperture onto the lower log, applying force. Make sure that the window is not fitted backwards (topsy-turvy).

ADVICE: Definitely make sure that the windows and doors open in the proper direction. The doors always open from the inside **to the outside**. The tilt&turn windows open **to the inside**. The revolving and the slinging windows open **to the outside** (the window handles are on the inside).

ATTENTION: It is not necessary to fix the doors and windows to the wall logs! If you wish to do this, it will be sufficient to fix them with a couple of screws in the lower part of the frame because as they dry, the wall logs will begin subsiding.

You can conduct the final adjustments of the doors and windows only some 2-3 weeks after the house installation, when the house will have become adapted to weather conditions and its logs settled.

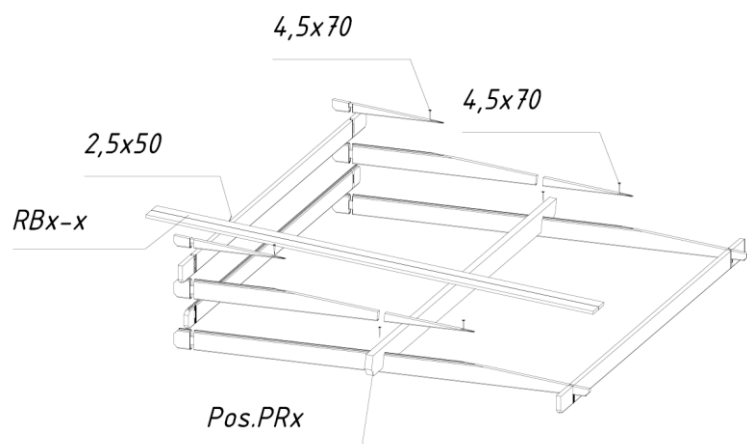
Apex

In most cases, the apex is supplied in one piece (attention: in some house options, the apex can comprise several parts! In this case, these parts will have to be screwed together prior to other actions). Having installed the last wall logs, place the apex on the front and back walls and attach them with screws.

The apexes have indents for the purlins. The purlins also have the corresponding indents, ensuring that the roof is placed firmly and in the right place.

Now place the purlins in the Installation of purlins: corresponding indents in the apexes.

Make sure that the upper wall log, apexes and purlins are level. Having fitted the purlins, screw them onto the apex from above.



ATTENTION: If the wall logs are not properly pressed on top of one another without gaps, the upper wall log may not be on the same level with the apexes. In this case you should tap the wall logs downwards as necessary or plane the apex or sidewall log somewhat lower.

Roof

Before installing the roof boards, make sure that the house is completely level. Use the water-level to check all walls.

ATTENTION: When placing the roof, use a stable ladder. Do not step on the roof as the structure is suitable to sustain only an even load (snow, wind, etc.), and not a point load!

Begin the installation of the roof boards **from the front edge of the roof**. Tap the boards lightly and attach them from above and below with nails to the purlins and upper wall log.

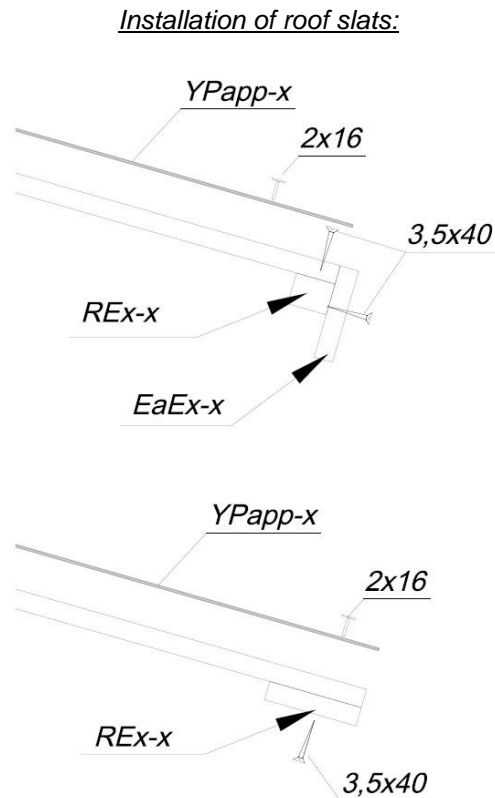
ATTENTION: Do not press the roof boards together too densely and you will avoid moisture-causing bulging! Leave an interval of about 1 mm between the boards to allow for swelling.

- During the whole process of installing the roof boards, make sure that their crest purlins coincide and the eave sides of the boards extend at a uniform distance. Verify this with a rope or the lateral eave lath that you may install for verification purposes.
- The roof boards must be even with the purlin ends in front and behind. If necessary, saw both last roof boards so narrow that they are even with the purlin ends.

Having installed the roof boards, the roof felt and roof slats must be attached.

The table of components shows whether the roof cover material and slats are included with this house option!

First of all, screw the roof edge reinforcements and eave edgings under the roof board ends. Then install the roof cover material.



Roof cover material (NB! Some house options do not include it in the kit!)

Cut the roof felt in accordance with the roof length into suitable pieces and begin installing them parallel to the lower edge of the roof, moving toward the crest and placing the felt strips in the direction from the back wall to the front wall. The felt should extend from the edge by approximately 2-4 cm. Attach the roof felt to the roof boards with the supplied felt nails at intervals of about 15 cm. Make sure that the felt strips overlap by at least 10 cm.

Floor

Only when the house is built completely you can install the floor boards, thus avoiding unnecessary smudging on the floor.

Place the floor boards on the base frame, tap them lightly against one another and then nail them with force to the foundation joists. If necessary, cut the last floor board to the suitable width.

The final operation is the fitting of the floor beadings to cover the spaces between the floor boards and walls. If necessary, cut the floor beadings to the suitable length.

ATTENTION: Depending on the climate at the house location, the floor boards can either swell or diminish. If the floor boards are very dry while the climate is damp, they will easily absorb moisture. In this case, the floor boards should not be attached very densely to avoid likely bulging. Leave some space (1-2 mm) between the floor boards to allow for swelling. But if your climate is warm and dry, you can install the boards densely because they will become drier and spaces may appear between them.

Storm braces (NB! Not included in some house option kits!)

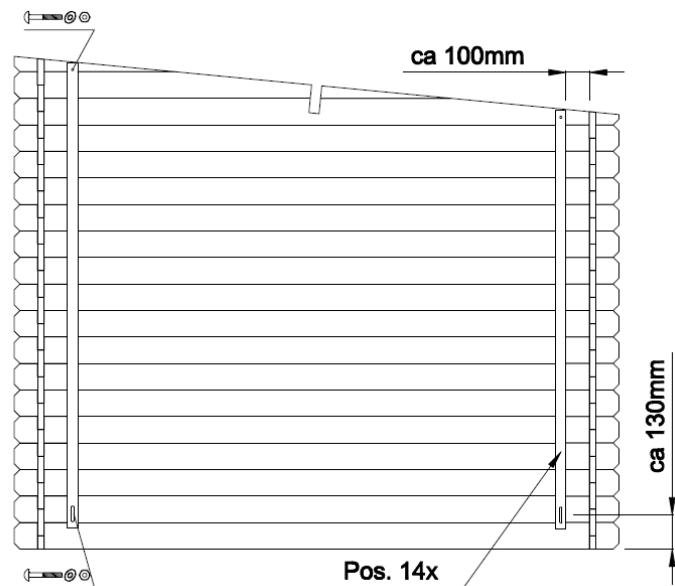
Attach the storm braces (if included in the supplied kit) to the inner sides of the front (2 units) and back (2 units) walls with the supplied bolts. It is important for the logs to be drilled through in advance. Please keep the distances indicated in the drawing so that no problems occur due to wood swelling or diminishing.

ADVICE: Make sure that the storm braces are attached to the apex log from above and to the middle of the first full-length wall log from below. If necessary, shorten the upper ends of the slats.

Do not turn the screws tightly so wood can further swell or diminish.

With the house having settled, you should adjust the attachments so the wall logs can settle.

Installation of storm braces:



General advice:

Problem: *Gaps appear between the wall logs*

Cause: Additional details are attached to the house that do not allow wood to swell/diminish.

Solutions: If the door/window is attached to the wall logs with screws/nails, remove these screws/nails;
If the storm brace is screwed on too tightly, loosen its attachment;
If (rain water) pipes are installed on the wall, loosen their attachments;

Problem: *The doors and windows become stuck.*

Cause: The house/foundation has settled.

Solution: Check whether the house is level. Level the foundation joists and walls.

Cause: The doors and windows have swelled due to moisture.

Solution: Adjust the door and window hinges; if necessary, plane the door or window narrower.



We wish you total success with the garden house installation and much joy with this house for many years to come!

1 Generelles



Sehr geehrter Kunde,

es freut uns, dass Sie sich für unser Gartenhaus entschieden haben!

Es ist wichtig, diese Aufbauanleitung vollständig durchzulesen, bevor Sie mit dem Aufbau Ihres Blockhauses beginnen! So vermeiden Sie Probleme und unnötigen Zeitverlust.

Tipps:

- Lagern Sie den Bausatz bis zur endgültigen Montage trocken und nicht direkt auf dem Erdboden, geschützt vor Witterungseinflüssen (Nässe, Sonneneinwirkung, etc.). Ware bitte nicht in einem geheizten Raum aufbewahren!
- Achten Sie bei der Standortwahl darauf, dass das Blockhaus nicht extremen Witterungsbedingungen (Gebiete mit starkem Wind) ausgesetzt ist, gegebenenfalls sollten Sie das Blockhaus zusätzlich mit dem Fundament verankern.



Gewährleistung

Ihr Haus besteht aus hochwertigem nordischen Fichtenholz und wird unbehandelt geliefert. Wenn es trotz unserer sorgfältigen Werkskontrolle zu Reklamationen kommen sollte, legen Sie Ihrem Fachhändler den ausgefüllten Kontrollschein mit Ihrer Einkaufsrechnung vor!

WICHTIG: Bitte unbedingt die Dokumentation aufbewahren! Auf dem Kontrollschein finden Sie die Kontrollnummer des Hauses. Es ist möglich die Reklamation nur dann als Garantiefall zu behandeln, wenn Sie die Kontrollnummer Ihrem Fachhändler weitergeben!

Abweichungen die keinen Reklamationsgrund darstellen:

- Holz ist ein Naturprodukt, daher gehören die naturgegebenen Beanstandungen nicht unter Garantie.
- Materialreklamationen werden nicht akzeptiert, wenn bereits ein Anstrich erfolgte!
- Äste die mit dem Holz fest verwachsen sind.
- Holzverfärbungen, ohne das dadurch die Lebensdauer beeinflusst wird.
- Risse /Trockenrisse die nicht durchgehend sind und nicht die Konstruktion beeinflussen.
- Verdrehungen des Holzes vorausgesetzt es lässt sich noch verarbeiten.
- An den nicht sichtbaren Seiten von Dach- und Fussbodenbrettern können die Bretter ungehobelt sein, es können Farbunterschiede und Baumkanten vorkommen.
- Spätere Reklamation durch unsachgemässe Montage, Absacken des Hauses durch unsachgemässe Fundamente und Gründungen sind ausgeschlossen.
- Eigene Veränderungen am Haus wie z.B. Verzug von Bohlen und Fenstern/Türen durch fehlenden Holzanstrich oder Aufbau, die zu starre Befestigung der Sturmleiste, Verschrauben der Türrahmen mit den Blockbohlen usw., sind ausgeschlossen.

Ansprüche auf Gewährleistung beschränken sich auf den Austausch von fehlerhaftem Material. Alle weiteren Ansprüche sind ausgeschlossen!



Anstrich und Pflege

Holz ist ein Naturprodukt und arbeitet unterschiedlich. Merkmale wie grobe und feine Maserungen, Farbschattierungen und Veränderungen sowie Verwachsungen haben Ihren Ursprung im Wuchs des Baumes. Sie sind bei Hölzern, die in der freien Natur wachsen, normal und deshalb nicht als Fehler, sondern vielmehr als Eigentümlichkeit des Naturwerkstoffes Holz anzusehen.

Das unbehandelte Holz (ausser Lagerhölzer) wird nach einiger Zeit vergrauen, kann verbläuen und verschimmeln. Um ihr Blockhaus zu schützen, sollten Sie es mit geeigneten Holzschutzmitteln behandeln.

Um Ihr Gartenhaus optimal zu schützen, empfehlen wir die Bodenbretter vorgängig mit einer farblosen Grundierung zu behandeln. Besonders die Unterseite, welche nach der Montage nicht mehr zu erreichen ist. Nur auf diese Weise wird das Eindringen der Feuchtigkeit verhindert.

Wir empfehlen unbedingt auch Türen und Fenster mit einer Grundierung zu behandeln. Es ist sehr wichtig sowohl die Innen- als auch die Aussenseiten der Türen und Fenster auf einmal zu streichen! Andernfalls können sie sich verziehen.

Nach dem Aufbau empfehlen wir Ihnen die Aussenhaut (ohne Dach) zu Grundieren, sobald diese trocken ist sollten Sie das Haus mit einer Holzlasur streichen, die das Holz vor Feuchtigkeit und UV-Strahlung schützt.

Beim Anstrich benutzen Sie hochwertiges Werkzeug und Farbe, beachten Sie die Sicherheits- und Verarbeitungshinweise des Farbenherstellers. Streichen Sie nie in praller Sonne oder beim regnerischen Wetter. Lassen Sie sich ausführlich bei Ihrem Fachhändler über den Holzschutz für unbehandelte Nadelhölzer beraten.

Durch einen regelmässigen Anstrich beeinflussen Sie im Wesentlichen die Lebensdauer Ihres Gartenhauses. Wir empfehlen Ihnen auch eine halbjährliche Inspektion des Gartenhauses.

2 Vorbereitung zur Aufbau

Werkzeuge und Vorbereitung der Details

Beim Aufbau brauchen Sie Folgendes:



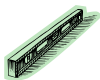
Montagehelfer



Stehleiter



Hammer



Wasserwaage



Schraubenzieher



Säge



Messer



Bandmass



Zange



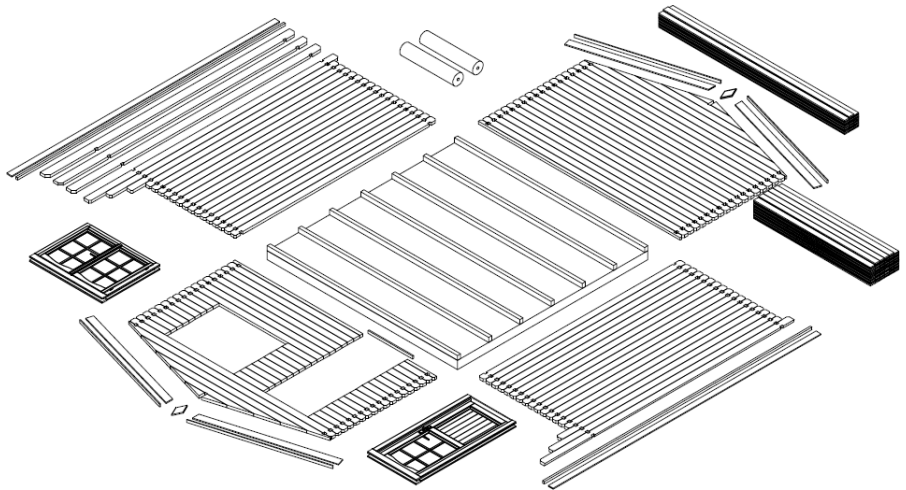
Bohrer

HINWEIS: Um Verletzungen durch eventuelle Holzsplitter zu vermeiden, tragen Sie bitte während der Montage entsprechende Schutzhandschuhe.

Vorbereitung der Details:

Sortieren Sie das Material und legen es an den vier Seiten des Hauses entsprechend der Reihenfolge des Aufbaus bereit.

WICHTIG: Legen Sie die Hölzer nie direkt auf die Rasenfläche oder in den Schmutz, da sich die Hölzer später nur schwer oder gar nicht säubern lassen!



Fundament

Das Wichtigste für die Sicherheit und Haltbarkeit Ihres Hauses ist ein gutes Fundament. Nur ein absolut waagrechtes und tragfähiges Fundament gewährleistet eine einwandfreie Montage der Blockbohlen, Stabilität und vor allem Passgenauigkeit der Türen. Mit einem guten Fundament hält Ihr Blockhaus viele Jahre länger.

Fertigen Sie das Fundament so, dass die Oberkante mindestens 5 cm über die Bodenfläche hinausragt, damit Ihr Haus besser vor Feuchtigkeit geschützt ist. Bitte beachten Sie dabei auch, dass das Haus später ausreichend unterlüftet wird.

Wir machen folgende Fundamentvorschläge:

- Streifen- oder Punktfundament
- Beton- bzw. Gehwegplattenfundament
- geschüttetes Betonfundament

Bereiten Sie das Fundament so vor, dass die Lagerhölzer überall im Abstand von max. 50-60 cm gestützt sind.

Lassen Sie sich ggf. von einem Fachmann beraten bzw. lassen Sie das Fundament von einem Fachmann erstellen.

III. Aufbau

WICHTIG:

- Im Paket sind auch 2-3 gekennzeichnete Schlaghölzer zur Montagehilfe (ca. 20-30 cm langes Bohlenprofil).

Alle obengenannten Teile sind **NICHT** in der Stückliste aufgelistet.

- Auf den Abbildungen sind die Teile mit dreistelligen Positionen bezeichnet. Die genauen Positionen dieser Teile, deren 3. Stelle auf der Abbildung mit „x“ bezeichnet sind, finden Sie in der Stückliste.

Lagerhölzer

Die Lagerhölzer müssen absolut in der Waage und plan liegen, um eine einwandfreie Montage zu gewährleisten.

ACHTUNG: Der Fundamentplan kann bei verschiedenen Hausmodellen abweichen. Bitte beachten sie den beigefügten Fundamentplan (Siehe Technische Daten)!

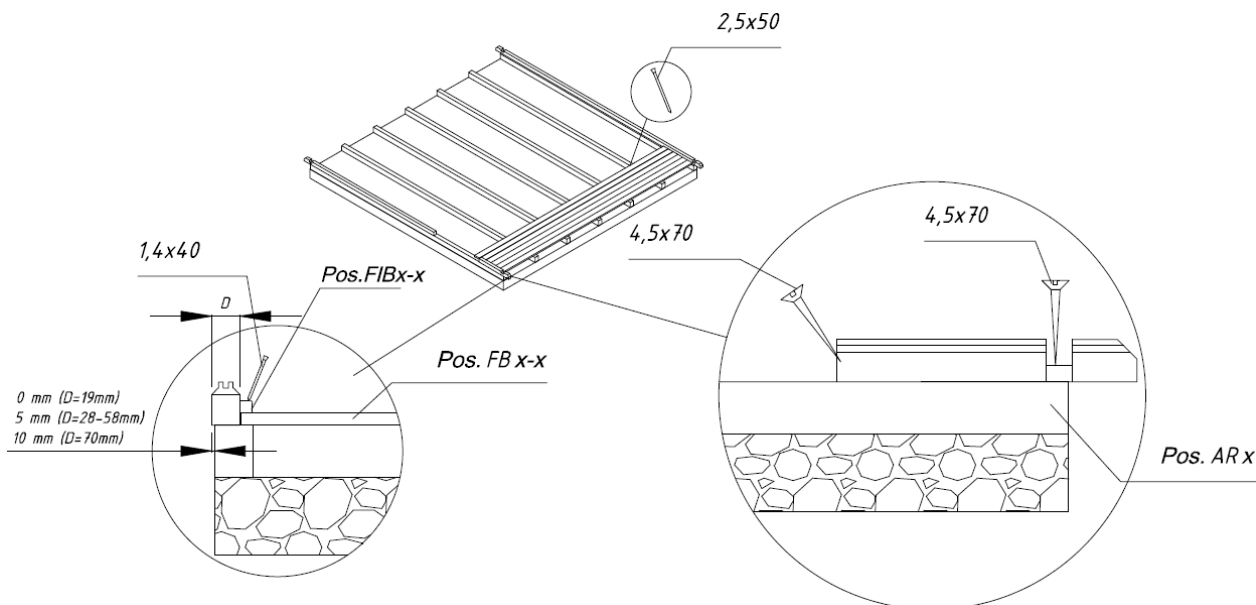
Aufbauanleitung – Deutsch

Legen Sie die imprägnierten Lagerhölzer in etwa gleichem Abstand zueinander auf das vorbereitete Fundament (siehe Fundamentplan in Technischen Daten). Achten Sie darauf, dass die Lagerhölzer in Waage sind und im rechten Winkel liegen, bevor sie zusammengeschaubt werden.

HINWEIS: Es ist empfehlenswert, zwischen die Lagerhölzer und das Fundament eine Feuchtigkeitssperre zu legen, die vor Nässe und Fäulnis schützt.

HINWEIS: Es ist auch zu empfehlen, die Lagerhölzer mit dem Fundament zu verankern. (Verwenden Sie dafür z.B. Stahlwinkel, Betonanker o. Ä.) Dieses Material gehört nicht zum Lieferumfang!

Montage der Lagerhölzer:



Wände

Beim Aufbau der Wände ist es wichtig zu wissen:

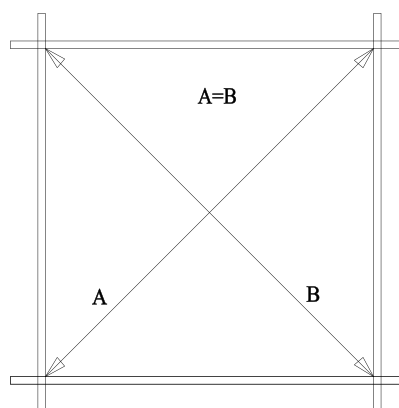
- Die Wandbohlen werden immer mit der Feder nach oben zeigend zusammengesteckt!
- Beim Bedarf benutzen Sie das Schlagholz und den Hammer! Nie mit dem Hammer direkt auf die Feder schlagen!

Die Wandpläne (Siehe Technische Daten) zeigen Ihnen den Aufbau der Wände.

Als erstes verlegen Sie die halben Bohlen der Vorder- und Rückwand und befestigen Sie sie mit Schrauben an die Lagerhölzer. Danach legen Sie die Seitenwandbohlen in ihre Position. Hierbei beachten Sie, dass der erste Bohlenkranz etwas über den Lagerhölzern steht: die Bohlen sollten ca. 3-5 mm über den Lagerhölzern überstehen. Dies ergibt eine Tropfkante und schützt vor Nässe.

WICHTIG: Nach dem ersten Bohlenkranz, die Diagonale messen und gegebenenfalls neu ausrichten! Nur, wenn die Diagonalmasse millimetergenau übereinstimmen, ist der Rahmen im Winkel und Sie können diesen dann auf einander befestigen. Beim Bedarf neu ausrichten.

Bohlenkranz



Aufbauanleitung – Deutsch

Fahren Sie fort indem Sie die nächsten Bohlen fest ineinander stecken. Beim Bedarf verwenden Sie das Schlagholz und den Hammer. Vergessen Sie aber auch nicht, mit der Montage der Fenster und Tür zu beginnen.

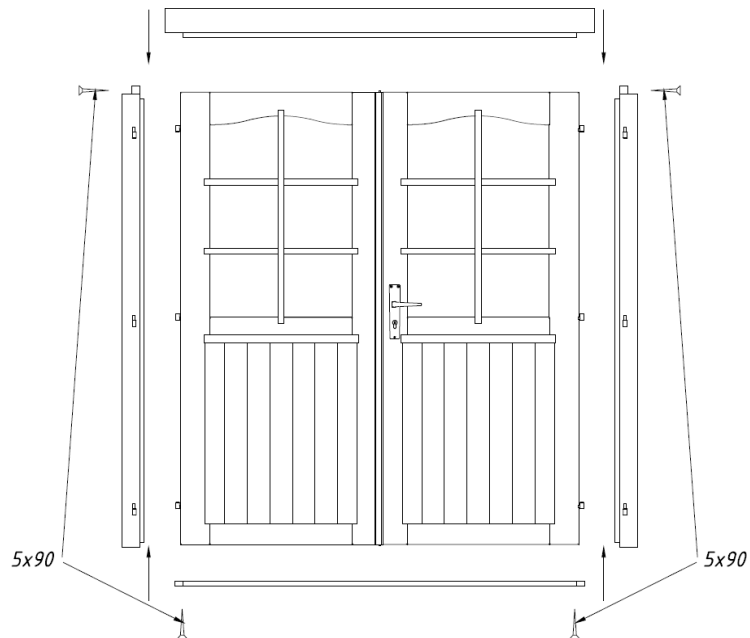
Den Einbau der Tür sollten Sie unbedingt schon nach der 5.-6. Bohlenschicht vornehmen.

Tür und Fenster

Türrahmen:

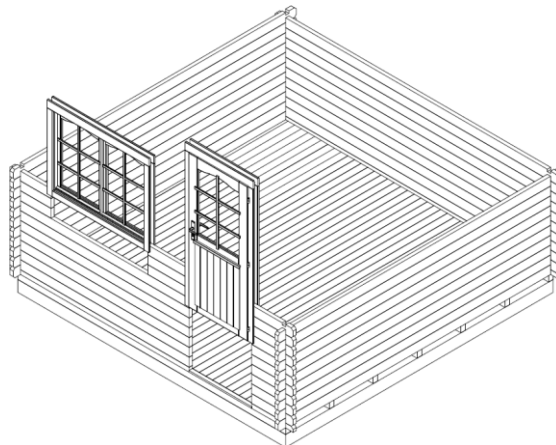
- Bei der Doppeltür werden die Rahmenteile aus Transportgründen lose geliefert und müssen zuerst zusammenmontiert werden.
- Hierzu fügen Sie die vier Rahmenhölzer der Doppeltür zusammen und verschrauben Sie diese.
- Beachten Sie, dass das Rahmenteil mit den tieferen Rahmenausfräsungen an die obere Seite der Tür kommt. Die seitlichen Rahmenteile sind mit Scharnieren und spiegelbildlich.
- Es ist empfehlenswert, die Türenblätter erst später einzuhängen.
- Bei der Einzeltür sind die Rahmenteile und das Türblatt schon zusammenmontiert.

Montage der Türrahmen (Nur bei Doppeltür nötig!):



Montage der Tür:

Der Rahmen wird von oben in die entstandene Öffnung geschoben und fest auf die unterste Bohle gedrückt. Bei einem Haus mit Doppeltür hängen Sie nun die Türblätter ein. Montieren Sie nun die separat verpackten Türgriffe, so dass Sie die Tür öffnen können.



Montage der Fenster:

Fahren Sie fort, die Wände hochzuziehen, bis Sie zur Fensterhöhe gelangen. Aus den Wandplänen (siehe Technische Daten) wird ersichtlich, wie viele Bohlen unter den Fenstern sind. Beim Einsetzen der Fenster verfahren Sie genauso wie bei der Tür. Schieben Sie den Fensterrahmen mit dem Fenster über die Bohlen und drücken Sie diesen ganz fest auf die untere Bohle. Achten Sie darauf, dass das Fenster nicht auf dem Kopf stehend eingebaut wird.

HINWEIS: Bei den Fenstern und Türen bitte unbedingt auf die Einbaurichtung achten. Die Türen gehen immer vom Innenraum des Hauses **nach aussen** auf. Die Dreh-Kipp-Fenster gehen **nach innen** auf. Die Hänge- und Drehfenster gehen **nach aussen** auf (Fenstergriffe sind innerhalb des Hauses).

Aufbauanleitung – Deutsch

WICHTIG: Es ist nicht nötig, die Tür und Fenster an die Wandbohlen zu befestigen. Wenn sie es wünschen, dann befestigen Sie diese mit ein oder zwei Schrauben nur im unteren Bereich der Rahmen, damit die Wandbohlen sich beim Trocknen setzen können.

Das endgültige Einstellen der Tür kann erst in ca. 2 bis 3 Wochen erfolgen, nachdem das Holz sich dem Klima angepasst hat und die Wandbohlen sich gesetzt haben.

Giebel

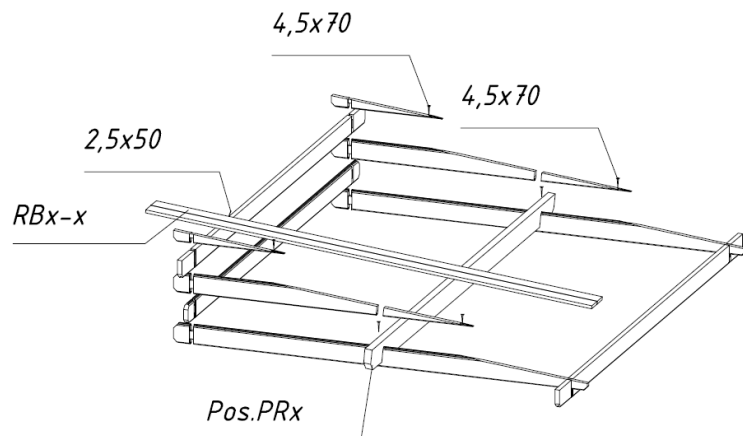
Das Giebeldreieck besteht meistens aus einem Stück. (Achtung: Das Giebeldreieck kann modellbezogen auch mehrteilig sein! In diesem Fall müssen die Teile zuerst miteinander verschraubt werden.) Nachdem die letzten Wandbohlen montiert sind, werden die Giebeldreiecke auf die Vorder- und Rückwand aufgesetzt und mit den Schrauben befestigt.

In den Giebeldreiecken sind Aussparungen, worin die Dachpfetten eingelassen werden. In den Pfetten sind ebenfalls Aussparungen, so wird ein Verrutschen des Daches verhindert.

Fügen Sie nun die Pfetten, in die dafür vorgesehenen Ausschnitte der Giebel ein.

Montage der Dachpfetten:

Prüfen Sie, ob die Verbindungsstellen zwischen Giebel, obersten Wandbohlen und Dachpfetten eine plane Fläche bilden. Nachdem die Pfetten eingepasst wurden, werden diese von oben mit dem Giebel verschraubt



WICHTIG: Wenn die Oberseiten der Pfetten mit dem Giebel nicht bündig abschliessen, sollten Sie entsprechend die Wandbohlen nach unten klopfen oder den Giebel bzw. die Seitenwandbohle etwas nachhobeln.

Dach

Vor dem Verlegen der Dachbretter ist darauf zu achten, dass das Haus hundertprozentig in Waage steht. Überprüfen Sie mittels einer Wasserwaage alle 4 Seitenwände.

WICHTIG: Der Dachbelag darf nur über eine standfeste Leiter aufgebracht werden. Das Dach darf nicht betreten werden, da die Konstruktion für eine Gesamtbelastung (Schnee, Wind etc.) ausgelegt ist und nicht für eine Punktbelastung.

Beginnen Sie mit dem Verlegen der Dachbretter von der Vorderseite des Hauses. Klopfen Sie die einzelnen Bretter leicht zusammen und vernageln Sie diese oben und unten an die Dachpfetten und an die oberste Wandbohle.

WICHTIG: Beachten Sie bitte, dass die Dachbretter nicht zu dicht aneinander befestigt werden, damit durch Feuchtigkeit verursachte eventuelle Aufwölbungen vermieden werden. Lassen Sie ca. 1 mm Abstand zwischen den einzelnen Brettern, damit das Holz noch etwas arbeiten kann.

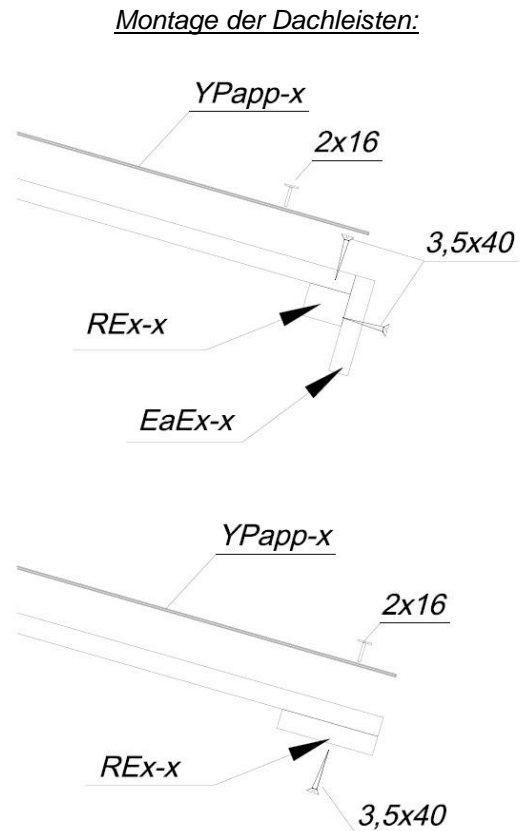
- Achten Sie beim gesamtem Dach auf absolute Parallelität der Traufenkanten bei gleichbleibendem Überstand und gleichmässiger Auflage auf der Firstpfette. Dieses prüfen Sie bitte mit einer Schnur oder dem seitlichen Traufenbrett, welches Sie zur Kontrolle anlegen.
- Die Dachbretter müssen vorne und hinten mit den Dachpfetten bündig abschliessen. Beim Bedarf die letzten Dachbretter entsprechend schmaler sägen.

Aufbauanleitung – Deutsch

Wenn die Dachbretter verlegt sind, müssen Dachpappe und Dachabschlussleisten angebracht werden.

Ob Dacheindeckung und -abschlussleisten zum Lieferumfang gehören, finden Sie in der Stückliste.

Zuerst schrauben Sie die Dachrandverstärkungen und Dachrandleisten unter die Enden der Dachbretter (Falls im Lieferumfang). Danach verlegen Sie die Dachpappe.



Dachpappe (Falls im Lieferumfang)

Schneiden Sie für die Dacheindeckung die Bahnen entsprechend der Dachlänge von der mitgelieferten Dachpappe ab. Beginnen Sie mit der Befestigung der Bitumenbahnen an der unteren Seite des Daches, indem Sie die Bahnen längs von der Hinter- zur Vorderwand verlegen. Lassen Sie die erste Bahn seitlich ca. 2-4 cm überstehen (Tropfkante). Befestigen Sie die Dachpappe mit gelieferten Dachpappenstiften ca. 15 cm Abstand. Beachten Sie bei der Anbringung der nächsten Lagen, dass diese mindestens 10 cm über die vorherige Lage überlappen.

Fussboden

Erst wenn das Haus komplett aufgebaut wurde, erfolgt das Verlegen der Fussbodenbretter, dadurch vermeiden Sie eine unnötige Verschmutzung des Fussbodens.

Legen Sie die Fussbodenbretter auf die Lagerhölzer, klopfen Sie diese leicht zusammen und befestigen Sie diese danach fest mit den Nägeln auf die Lagerhölzer. Beim Bedarf die letzten Bretter durch Schneiden anpassen.

Zum Abschluss wird im Innenraum die Verleistik für den Fussboden angebracht, um evtl. Fugen an den Wänden abzudecken. Die Leisten müssen ggf. durch Zuschnitt eingepasst werden.

WICHTIG: Aufgrund der unterschiedlichen klimatischen Verhältnisse, wo das Haus aufgestellt ist, können auch Fussbodenbretter unterschiedlich arbeiten. Wenn die Fussbodenbretter sehr trocken sind, das Klima aber feucht, nehmen sie leicht Feuchtigkeit auf. Deswegen ist es ratsam, die Bretter nicht zu dicht nebeneinander zu befestigen, dadurch können Sie eventuelle Aufwölbungen vermeiden. Lassen Sie ca. 1-2 mm Abstand zwischen den einzelnen Brettern, damit das Holz arbeiten kann. Wenn das Klima aber heiss und trocken ist, können Sie die Bretter dicht nebeneinander legen, denn sie trocknen noch mehr aus und es entstehen Spalten zwischen den Brettern.

Sturmleisten (Falls im Lieferumfang!)

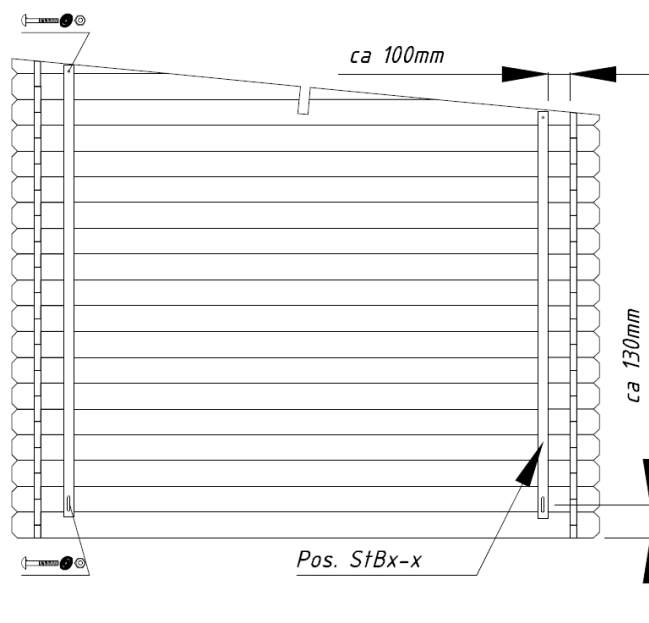
Die Sturmleisten müssen im Innenraum mit den mitgelieferten Schlossschrauben an die Vorder- (2 St.) und Rückwand (2 St.) montiert werden. Hierfür ist es erforderlich, die Bohlen vorher zu durchbohren. Bitte beachten Sie hier die auf der Zeichnung gegebenen Abstände, damit es später keine Probleme mit dem Arbeiten des Holzes gäbe.

HINWEIS: Beachten Sie, dass die Sturmleisten oben an die Giebelbohle und unten in der Mitte der ersten ganzen Wandbohle befestigt werden. Beim Bedarf schneiden Sie die Leisten von der oberen Seite kürzer.

Die Schlossschrauben dürfen nur Handfest angezogen werden, damit das Holz weiterhin arbeiten kann.

Wenn das Haus sich gesetzt hat, müssen die Befestigungen reguliert werden, damit die Wandbohlen sich nach unten setzen könnten.

Montage der Sturmleisten:



Allgemeine Tipps:

Problem: *Es entstehen Spalten zwischen den Bohlen.*

Ursache: Es sind zusätzliche Details an den Wänden angebracht, die das Verarbeiten des Holzes verhindern.

Lösung: Wenn Fenster/Tür mit Schrauben/Nägeln an die Wandbohlen befestigt sind, sie entfernen;
Wenn die Sturmleisten zu fest an die Bohlen geschraubt sind, sie flexibel montieren;
Wenn eine (Wasser)Leitung an der Wand montiert ist, die Befestigungen flexibler montieren;

Problem: *Fenster und Türen klemmen*

Ursache: Das Haus/Fundament hat sich gesenkt

Lösung: Überprüfen, ob das Haus in Waage steht. Lagerhölzer und Wände wieder in einen waagerechten Zustand bringen.

Ursache: Fenster und Türen sind wegen der Feuchtigkeit geschwollen

Lösung: Die Tür-/Fensterscharniere regulieren; beim Bedarf die Tür/Fenster schmaler hobeln



Wir wünschen Ihnen nun viel Spass und Erfolg beim Aufbau und jahrelange Freude mit Ihrem Gartenhaus!

1 Généralités



Cher client,

Nous sommes heureux que votre choix se soit porté sur notre maison de jardin!

Il est important de lire entièrement cette notice de montage avant de commencer la construction de votre maisonnette en poutres! Vous vous éviterez ainsi des problèmes et des pertes de temps inutiles.

Conseils:

- Avant son montage définitif, entreposez le kit de construction au sec et pas directement sur la terre, en le protégeant contre les intempéries (humidité, rayonnement du soleil, etc.). Ne pas conserver la marchandise dans un local chauffé!
- Au moment de choisir l'endroit de montage, veillez à ce que la maisonnette en poutres ne soit pas exposée à des conditions atmosphériques extrêmes (zones exposées à des vents forts). Le cas échéant, il serait bon d'ancrer la maisonnette en poutres dans des fondations.



Garantie

Votre maisonnette est réalisée en bois d'épicéa nordique de haute qualité et elle vous est livrée non traitée. Si elle devait donner lieu à des réclamations, malgré les soins apportés à notre contrôle en usine, nous vous demandons de remettre à votre revendeur spécialisé le bon de contrôle rempli et votre facture d'achat!

IMPORTANT: Veuillez impérativement conserver la documentation! Vous trouverez sur le bon de contrôle le numéro de contrôle de la maisonnette. La réclamation ne peut être traitée dans le cadre de la garantie que si vous communiquez le numéro de contrôle à votre revendeur spécialisé!

Ecarts qui ne constituent pas un motif de réclamation:

- Le bois est un produit naturel, ce qui fait que les réclamations reposant sur des phénomènes naturels ne tombent pas sous le coup de la garantie.
- Les réclamations concernant les matériaux ne sont pas acceptées si une peinture a déjà été appliquée!
- Nœuds qui sont inhérents au bois.
- Décolorations du bois qui n'exercent pas d'influences sur la durée de vie.
- Fissures / fentes de retrait qui ne sont pas traversantes et qui n'exercent pas d'influences sur la construction.
- Déformations du bois, sous réserve qu'il puisse encore être mis en œuvre.
- Sur les faces non visibles des planches du toit et du plancher, il se peut que les planches ne soient pas rabotées, on peut observer des différences de couleur et des flaches.
- Une réclamation tardive résultant d'un montage incorrectement réalisé, d'un affaissement de la maisonnette par suite de fondations et de soubassements incorrectement réalisés, est exclue.
- Une réclamation suite à des modifications apportées de son propre chef à la maisonnette, comme par exemple une déformation des madriers et des fenêtres/portes par suite d'une peinture du bois ou d'une construction insuffisantes, la fixation trop rigide du contreventement, le vissage des dormants sur les madriers, etc., est exclue.

Les recours en garantie se limitent au remplacement du matériel défectueux. Tous les autres recours sont exclus!



Peinture et entretien

Le bois est un produit naturel qui travaille de façon variable. Des caractéristiques telles que les madrures grossières et fines, les nuances de couleurs et les modifications, de même que les imbrications, ont leur origine dans la croissance du bois. Dans le cas de bois qui poussent en pleine nature, ces caractéristiques sont normales et ne doivent par conséquent pas être considérées comme des défauts mais, au contraire, comme une particularité de ce matériau naturel qu'est le bois.

Au bout de quelque temps, le bois non traité (à l'exception des longrines) prendra une teinte grise, il pourra bleuir et moisir. Pour protéger votre maisonnette en poutres, il convient que vous le traitiez avec des produits de protection du bois appropriés.

Pour protéger votre maison de jardin de façon optimale, nous vous conseillons de traiter préalablement les planches du plancher à l'aide d'un apprêt incolore. En particulier la face inférieure à laquelle vous ne pourrez plus avoir accès après le montage. Ce n'est que de cette façon que l'on empêche l'humidité de pénétrer.

Nous conseillons de traiter impérativement les portes et les fenêtres également à l'aide d'un apprêt. Il est très important de peindre en une seule fois aussi bien les faces intérieures que les faces extérieures des portes et des fenêtres! Dans le cas contraire, elles pourront se déformer.

Une fois le montage effectué, nous vous conseillons de revêtir l'extérieur (sans le toit) d'un apprêt. Dès que cet apprêt sera sec, vous devrez revêtir votre maison d'un glacis pour bois qui protégera le bois contre l'humidité et le rayonnement ultraviolet.

Pour la peinture, n'utilisez qu'un outillage et une peinture de haute qualité, et respectez les consignes de sécurité et de mise en œuvre du fabricant de peintures. Ne peignez jamais en plein soleil ou lorsque le temps est à la pluie. Faites-vous conseiller de façon détaillée par votre revendeur spécialisé quant à la protection à utiliser pour les conifères non traités.

En refaisant régulièrement la peinture, vous augmentez sensiblement la durée de vie de votre maison de jardin. Nous vous conseillons également une inspection semestrielle de votre maison de jardin.

2 Préparation au montage

Outils et préparation des détails

Pour le montage, vous avez besoin du matériel suivant:



une personne pour vous aider au montage



échelle double



marteau



niveau à bulle d'air



tournevis



scie



couteau



mètre-ruban



pince



foret

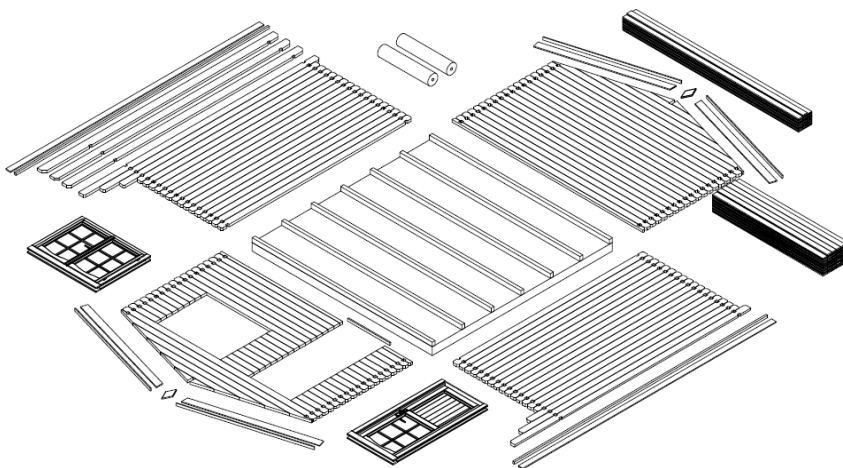
REMARQUE: Pour éviter les blessures provoquées par d'éventuels éclats de bois, nous vous demandons de porter des gants de protection correspondants lors du montage.

Notice de montage – Français

Préparation des détails:

Classez le matériel et déposez-le sur les quatre côtés de la maison, conformément à l'ordre de montage.

IMPORTANT: Ne déposez pas les bois directement sur le gazon ou dans la saleté, car les bois seront alors difficiles, voire impossibles à nettoyer plus tard!



Fondations

Le plus important, pour la sécurité et la stabilité de votre maison, ce sont de bonnes fondations. Seules des fondations parfaitement horizontales et solides garantissent un montage parfait des madriers, la stabilité et, en particulier, la précision d'ajustement des portes. Des fondations de qualité prolongent la durée de vie de votre maisonnette en poutres de beaucoup d'années.

Réalisez les fondations de façon à ce que le bord supérieur dépasse d'au moins 5 cm de la surface du sol, afin que votre maison soit mieux protégée contre l'humidité. Veuillez également noter que, plus tard, la maison sera ainsi suffisamment ventilée par dessous.

Nous vous proposons les fondations suivantes:

- Semelle filante ou fondations ponctuelles
- Fondations en béton ou fondations en dalles de ciment
- Fondations coulées en béton

Préparez les fondations de façon à ce que les longrines prennent partout appui à un écartement de max. 50-60 cm.

Faites-vous le cas échéant conseiller par un spécialiste ou faites réaliser les fondations par un spécialiste.

III. Montage

IMPORTANT:

- Nous vous envoyons également, dans l'emballage, 2 à 3 battes marquées comme telles pour vous aider dans le montage (un profilé de madrier d'une longueur de 20 à 30 cm environ).

Toutes les pièces mentionnées ci-dessus **NE SONT PAS** énoncées dans la liste de pièces.

- Les pièces sont identifiées, sur les illustrations, par des position à trois chiffres. Les positions précises de ces pièces dont le troisième chiffre dans l'illustration est un « x », peuvent être repérées dans la liste des pièces.

Longrines

Les longrines doivent être parfaitement de niveau et planes, afin de garantir un montage parfait.

ATTENTION: Le plan de fondations peut être différent en fonction des modèles de maisons. Veuillez vous reporter au plan de fondations ci-joint (voir Caractéristiques techniques)!

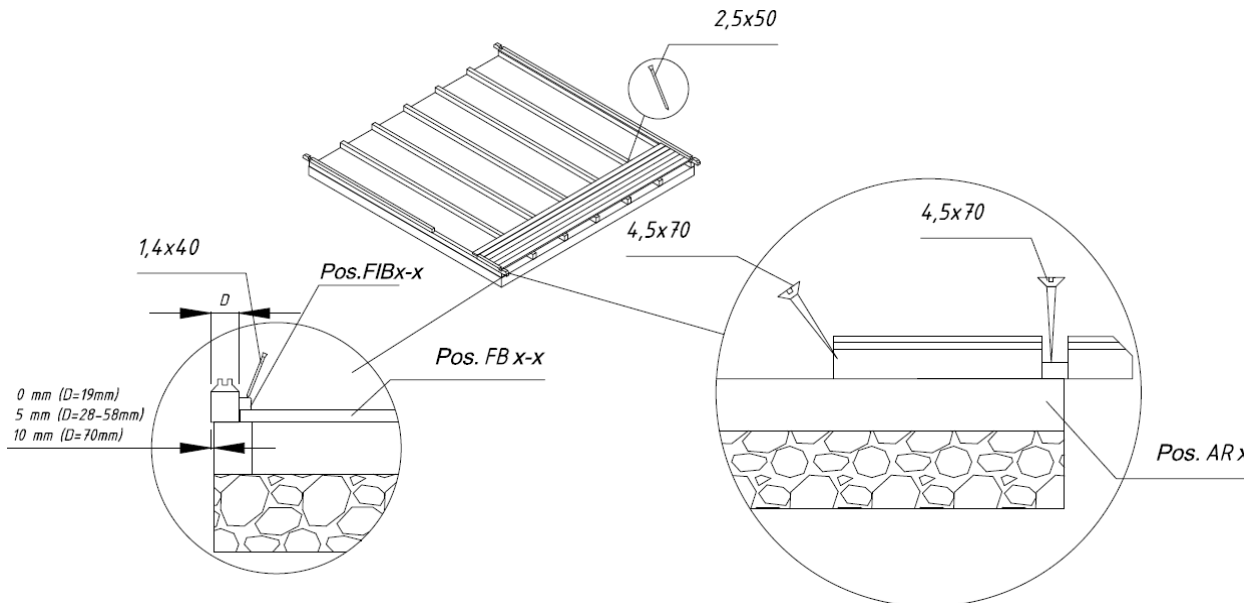
Notice de montage – Français

Posez les longrines imprégnées sur les fondations préparées, en respectant à peu près le même écartement entre les longrines (voir plan de fondations dans les Caractéristiques techniques). Veillez à ce que les longrines soient de niveau et à angles droits, avant qu'elles ne soient assemblées par vissage.

REMARQUE: Il est conseillé de placer, entre les longrines et les fondations, une barrière d'humidité qui protégera contre l'humidité et la putréfaction.

REMARQUE: Il est également conseillé d'ancrer les longrines dans les fondations. (A ces fins, utilisez par exemple des cornières en acier, des ancrages pour béton, ou autres). Ce matériel ne fait pas partie de l'étendue de la fourniture!

Montage des longrines:



Parois

Lors du montage des parois, il est important de savoir ceci:

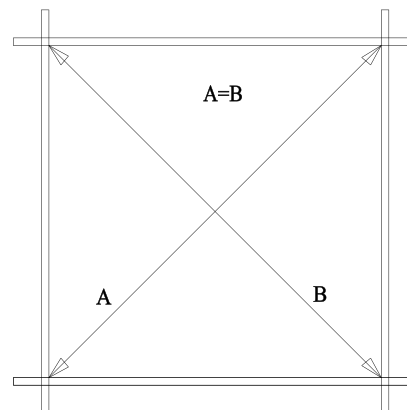
- Les madriers des parois s'emboîtent toujours ressort tourné vers le haut!
- En cas de besoin, utilisez la planche à frapper et le marteau! Ne jamais frapper directement sur le ressort avec le marteau!

Les plans des parois (voir partie: Caractéristiques techniques) vous montrent le montage des parois.

En premier, posez les demi-madriers de la paroi avant et de la paroi arrière, et fixez-les à l'aide de vis sur les longrines. Placez ensuite les madriers des parois latérales dans leur position. A cet égard, veillez à ce que la première couronne de madriers soit un peu au-dessus des longrines: les madriers doivent dépasser d'environ 3-5 mm des longrines. Ceci donne un bord d'égouttement et protège contre l'humidité.

IMPORTANT: Après la première couronne de madriers, mesurer la diagonale et la réajuster le cas échéant! Ce n'est que lorsque les cotes de diagonale correspondent au millimètre près que les cadres sont à l'équerre et que vous pouvez alors les fixer les uns sur les autres. Réajuster si nécessaire.

Couronne de madriers



Continuez en emboîtant fermement les madriers suivants les uns dans les autres. En cas de besoin, utilisez la planche à frapper et le marteau. Cependant, n'oubliez également pas de commencer par le montage des fenêtres et de la porte.

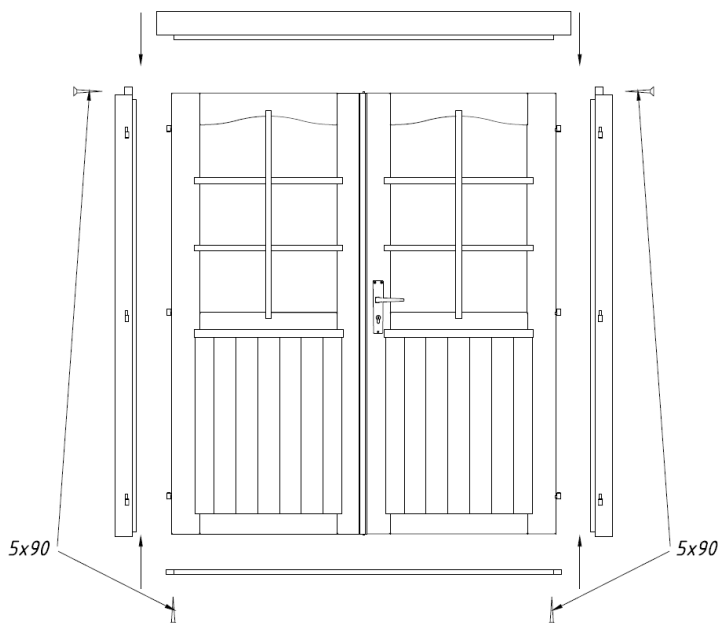
Vous devez impérativement procéder au montage de la porte après avoir posé la 5e - 6e couche de madriers.

Porte et fenêtres

Dormants:

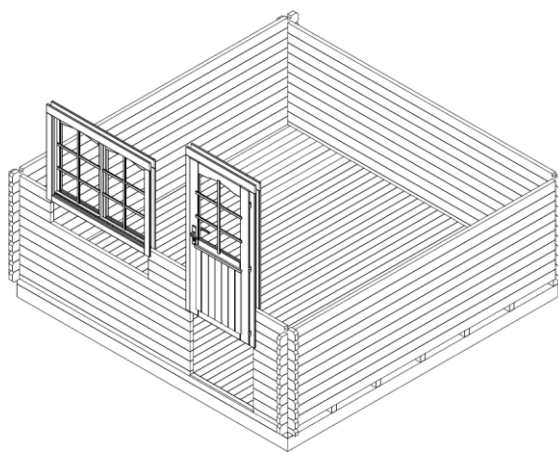
- Dans le cas de la porte double, les éléments du dormant sont livrés détachés, pour des raisons de transport, et il faut commencer par les assembler.
- A ces fins, assemblez les quatre bois du dormant de la porte double, et vissez-les.
- Veuillez noter que la partie du dormant comportant les fraises profondes vient contre le côté supérieur de la porte. Les éléments latéraux du dormant comportent des charnières et ils sont symétriques.
- Il est conseillé de n'accrocher que plus tard les vantaux de la porte.
- Dans le cas de la porte simple, les éléments du dormant et le vantail sont déjà assemblés.

Montage des dormants (nécessaire seulement dans le cas d'une porte double!):



Montage de la porte:

On introduit le dormant par dessus dans l'ouverture créée, et on le repousse en butée contre le madrier se trouvant tout en bas. Dans le cas d'une maison avec double porte, accrochez alors les vantaux de la porte. Montez ensuite les poignées de la porte emballées séparément, de façon à ce que vous puissiez ouvrir la porte.



Montage des fenêtres:

Continuez à monter les parois jusqu'à ce que vous arriviez à la hauteur des fenêtres. Les plans des parois (voir Caractéristiques techniques) vous indiquent combien il y a de madriers sous les fenêtres. Pour poser les fenêtres, procédez exactement comme pour la porte. Introduisez le châssis de la fenêtre, avec la fenêtre, au-dessus des madriers et repoussez-le en butée contre le madrier inférieur. Veillez à ne pas monter la fenêtre la tête en bas.

REMARQUE: Pour les fenêtres et les portes, respectez impérativement le sens de montage. Les portes s'ouvrent toujours de l'intérieur de la maison **vers l'extérieur**. Les fenêtres pivotantes et basculantes s'ouvrent **vers l'intérieur**. Les fenêtres coulissantes et pivotantes s'ouvrent **vers l'extérieur** (les poignées des fenêtres sont à l'intérieur de la maison).

IMPORTANT: Il n'est pas nécessaire de fixer la porte et les fenêtres sur les madriers des parois. Si vous le souhaitez, ne les fixez à l'aide d'une ou de deux vis que dans la zone inférieure des cadres, afin que les madriers des parois puissent se mettre bien en place lors du séchage.

Notice de montage – Français

Ne procéder au réglage définitif de la porte qu'au bout de 2 à 3 semaines environ, après que le bois se soit adapté au climat et que les madriers des parois se soient mis en place.

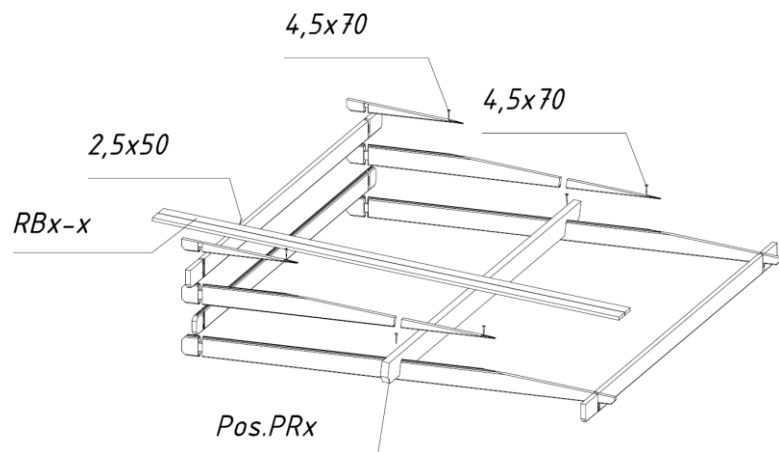
Pignons

Le triangle du pignon est la plupart du temps en une seule pièce. (Attention: En fonction du modèle, le triangle du pignon peut également être en plusieurs parties! Dans ce cas, il faut commencer par visser les différentes pièces entre elles). Une fois que les derniers madriers des parois ont été montés, on place les triangles du pignon sur la paroi avant et sur la paroi arrière, et on les fixe avec des vis.

Les triangles du pignon comportent des évidements dans lesquels s'encastrent les pannes. Les pannes comportent également des évidements, ce qui empêche le toit de glisser.

Insérez alors les pannes dans les Montage des pannes: découpes des pignons prévues à cet effet.

Vérifiez si les points de raccordement entre pignons, madriers supérieurs des parois et pannes forment une surface plane. Une fois que les pannes ont été emboîtées, on les visse par dessus sur le pignon



IMPORTANT: Si les côtés supérieurs des pannes n'affleurent pas sur le pignon, vous devez donner de petits coups sur les madriers des parois pour les abaisser, ou bien raboter un peu plus le pignon et le madrier de la paroi latérale.

Toit

Avant la pose des planches du toit, il convient de veiller à ce que la maison soit à cent pour cent de niveau. A l'aide d'un niveau à bulle d'air, vérifiez les 4 parois latérales.

IMPORTANT: Le revêtement du toit ne doit être mis en place que par utilisation d'une échelle stable. Il ne faut pas marcher sur le toit car sa construction est conçue pour une charge totale (neige, vent, etc.) et non pas pour une charge ponctuelle.

Commencez par poser les planches du toit en partant de la façade de la maison. Assemblez les différentes planches en donnant de petits coups et clouez-les dessus et dessous sur les pannes et sur le madrier de paroi supérieur.

IMPORTANT: Veillez à ne pas fixer les planches du toit de façon trop serrée les unes contre les autres, afin que les éventuels gonflements dus à l'humidité puissent être évités. Laissez environ 1 mm de distance entre les différentes planches, afin que le bois puisse encore un peu travailler.

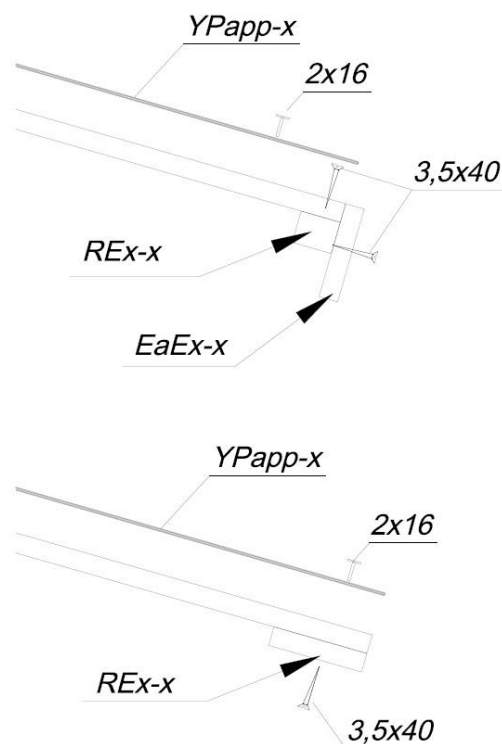
- Veillez, pour l'ensemble du toit, à un parallélisme absolu des bords du larmier, moyennant une saillie constante et un appui régulier sur la panne faîtière. Vérifiez ceci à l'aide d'un cordon ou du larmier latéral que vous mettez en place à des fins de contrôle.
- Les planches du toit doivent affleurer à l'avant et à l'arrière sur les pannes. En cas de besoin, sciez les dernières planches du toit plus étroites en conséquence.

Notice de montage – Français

Une fois que les planches du toit ont été posées, il faut mettre en place le carton bitumé du toit et les baguettes de finition du toit. Pour savoir si la couverture et les baguettes de finition du toit font partie de l'étendue de la fourniture, reportez-vous à la nomenclature.

Commencez par visser les renforts du bord du toit et les baguettes du bord du toit sous les extrémités des planches du toit (s'ils font partie de l'étendue de la fourniture). Ensuite, posez le carton bitumé.

Montage des baguettes du toit:



Carton bitumé (s'il fait partie de l'étendue de la fourniture)

Pour la couverture du toit, découpez les bandes, dans le carton bitumé joint à la fourniture, en fonction de la longueur du toit. Commencez par fixer les bandes bitumées sur la face inférieure du toit, en posant les bandes longitudinalement, de la paroi arrière à la paroi avant. Laissez dépasser la première bande latéralement d'environ 2-4 cm (bord du larmier). Fixez le carton bitumé avec les chevilles pour carton bitumé, en respectant un espacement de 15 cm environ. Lors de la mise en place des couches suivantes, veillez à ce que celles-ci recouvrent la couche précédente sur 10 cm au moins.

Plancher

Ce n'est qu'une fois que la maison a été entièrement montée qu'intervient la pose des planches du plancher. On évite ainsi un encrassement inutile du plancher.

Posez les planches du plancher sur les longrines, donnez de petits coups pour les assembler et fixez-les ensuite fermement avec les clous sur les longrines. En cas de besoin, adapter les dernières planches en les coupant.

Pour terminer, on place à l'intérieur les baguettes destinées au plancher, afin de recouvrir les éventuels joints présents au niveau des parois. Le cas échéant, recouper les baguettes pour les ajuster.

IMPORTANT: Etant donné les différences de conditions climatiques à l'endroit où la maison est installée, les planches du plancher peuvent également travailler de façon différente. Si les planches du plancher sont très sèches, mais que le climat est humide, elles absorbent facilement l'humidité. C'est la raison pour laquelle il est conseillé de ne pas fixer les planches trop près les unes des autres, afin d'éviter les éventuels gonflements. Laissez 1 à 2 mm environ de distance entre les différentes planches, afin que le bois puisse travailler. Si le climat est cependant chaud et sec, vous pouvez poser les planches très près les unes des autres car elles sèchent encore plus et il se forme des fentes entre les planches.

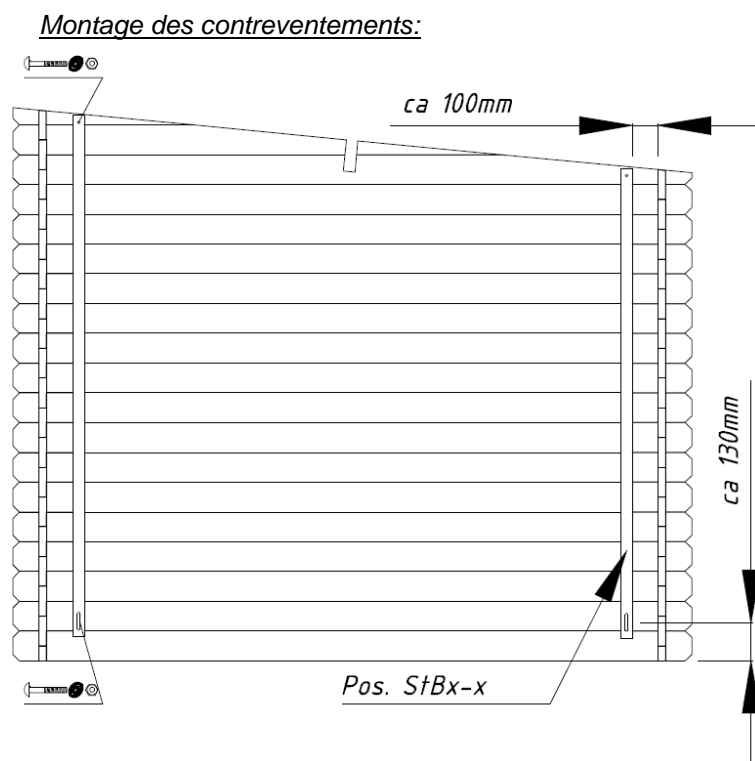
Contreventements (s'ils font partie de l'étendue de la fourniture!)

Les contreventements doivent être montés à l'intérieur, à l'aide des vis à tête bombée et collet carré fournies, sur la paroi avant (2 contreventements) et sur la paroi arrière (2 contreventements). A ces fins, il est nécessaire de percer préalablement les madriers. Veuillez ici respecter les écartements indiqués sur le plan, afin qu'il n'y ait pas, plus tard, de problèmes avec le travail du bois.

REMARQUE: Veuillez à fixer les contreventements en haut sur le madrier du pignon et, en bas, au centre du premier madrier de paroi complet. En cas de besoin, raccourcissez les baguettes du côté supérieur.

Les vis à tête bombée et collet carré ne doivent être serrées qu'à la main, afin que le bois puisse continuer à travailler.

Une fois que la maison s'est bien mise en place, il faut ajuster les fixations, afin que les madriers des parois puissent s'abaisser pour se mettre en place.



Conseils

Problème: *Des fentes se forment entre les madriers*

Cause: Des détails complémentaires qui empêchent la mise en œuvre du bois ont été mis en place sur les parois.

Solution: Si la fenêtre/la porte sont fixées aux madriers des parois par des vis/clous, les retirer.
Si les contreventements sont vissés de façon trop forte sur les madriers, les monter de façon souple.
Si une conduite (d'eau) est montée sur la paroi, monter les fixations de façon souple.

Problème: *La fenêtre et les portes coinent*

Cause: La maison/les fondations se sont affaissées.

Solution: Vérifiez si la maison est de niveau. Remettre les longrines et les parois à l'état horizontal.

Cause: Les fenêtres et les portes ont gonflé sous l'influence de l'humidité.

Solution: Régler les charnières de la porte/de la fenêtre; en cas de besoin, raboter plus la porte/la fenêtre.



Nous vous souhaitons beaucoup de moments heureux, une installation réussie et beaucoup d'années joyeuses dans votre maisonnette!

1 Información general



Estimado cliente,

¡Nos alegra que haya elegido una casita nuestra!

¡Por favor, lea atentamente estas instrucciones de montaje antes de empezar a montarlo! Esto le ahorrará problemas y pérdida de tiempo.

Consejos:

- Preserve los elementos empaquetados hasta su ensamblaje completo en condiciones secas evitando el contacto directo con el suelo, y protéjalos contra las condiciones meteorológicas adversas (humedad, luz solar, etc.) ¡No las mantenga en una habitación con altas temperaturas!
- Durante la elección de la ubicación de la cabaña en su jardín, no escoja un lugar donde quede expuesta a condiciones climáticas extremas (zonas de fuertes nevadas o vientos fuertes), en caso contrario será necesario sujetar su cabaña (por ejemplo, con anclajes) al subsuelo.



Garantía

Su casita esta hecha de madera de abeto de alta calidad y se entregará en estado natural (rugoso). Si, a pesar de nuestras inspecciones minuciosas, se encontrara con defectos, presente al vendedor un listado completo de **verificación** y el recibo al vendedor.

ATENCIÓN: ¡Por favor, conservar la documentación relativa a la cabaña! El número de control de la casita se encuentra en el listado de verificación. ¡Sus quejas serán atendidas solamente si usted suministra al vendedor el número de control de su casita de madera!

La garantía no cubre:

- Características peculiares de la madera derivadas de la misma como un material natural
- Elementos que ya han sido pintados (madera tratada con conservantes de la madera)
- Elementos que contienen nudos que no afectan la estabilidad de una casita
- Diferentes tonos de color debido a las variedades estructurales de la madera que no afectan la esperanza de vida de la madera
- Elementos con pequeñas grietas / divisiones (causadas por el secado) que no son penetrantes y no afectan a la construcción de la casita
- Elementos torcidos de madera si pueden ser instalados todavía
- Tableros de techo y suelo con superficie (oculta) rugosa, variaciones de color, y disminución
- Quejas provocadas por un montaje incompetente de la casita o asentamientos de la casita debidos a fallos de la construcción de los cimientos
- Quejas causadas por alteraciones no autorizadas hechas en la cabaña, tales como el doblado de los elementos de madera o de las ventanas / puertas como consecuencia del incompetente trato de la madera, de la excesivamente rígida fijación de las tablas de acceso o atornillado de los marcos de las puertas a los elementos de las paredes, etc.

La satisfacción de las reclamaciones cubiertas por la garantía, se limita al intercambio de los materiales desaparecidos / defectuosos. ¡Todas las demás exigencias están excluidas!



Pintura y mantenimiento de la cabaña

La madera es un material natural que crece y se contrae debido a las condiciones climáticas. Grietas más pequeñas o más grandes, diferencias y cambios en los matices de colores y sus alternancias estructurales no son fallos, sino los resultados del crecimiento y de la peculiaridad de la madera como un material natural.

Con el tiempo la madera rugosa (excluyendo las vigas de la cimentación) cambia de color a gris o puede adoptar un color azul y enmohecer. Con el fin de proteger los elementos de su cabaña, deben ser tratados de inmediato con un conservante de madera.

Le recomendamos que cubra los suelos, especialmente sus partes inferiores, adonde no se puede llegar después del montaje de la cabaña, primero con un conservante incoloro de madera. Sólo de esta manera las tablas pueden protegerse de la penetración de la humedad.

También recomendamos que cubra las puertas y ventanas con conservantes de madera. Es esencial hacer el tratamiento tanto por dentro como por fuera de las superficies de las puertas y ventanas. En caso contrario, se pueden desarrollar deformaciones.

Después del ensamblaje de la cabaña, recomendamos para su acabado el uso de pintura resistente al agua para que proteja la madera contra la humedad y la radiación UV.

Para el acabado de su cabaña utilice únicamente herramientas y pinturas de alta calidad. Además, siga los manuales de instrucciones para las pinturas y las advertencias de seguridad y las instrucciones de uso proporcionadas por el fabricante. No pintar durante una luz intensa del sol o bajo la lluvia. Consulte a un experto en relación a las pinturas para madera áspera de coníferas y siga las instrucciones del fabricante de la pintura.

La aplicación de pintura extiende considerablemente la vida útil de su cabaña. Recomendamos una cuidadosa inspección de la cabaña dos veces al año.

2 Preparativos para el montaje

Herramientas y la preparación de los elementos

Para montar la cabaña, necesita lo siguiente:



Auxiliar de trabajo



Escalera



Martillo



Instrumento de nivelación



Destornillador



Sierra



Cuchillo



Metro



Tenazas



Taladro

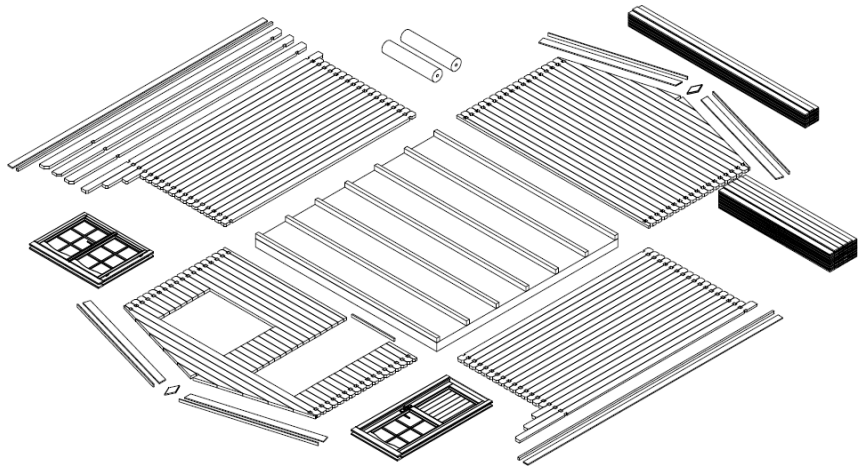
Consejo: Con el fin de defenderse de las astillas, durante el montaje se recomienda llevar guantes de protección.

Manual de montaje – Español

Preparación de los elementos:

Clasificar los siguientes elementos siguiendo el esquema de la pared (ver datos técnicos) y colocarlos en el orden de montaje en los cuatro lados de la cabaña.

ATENCIÓN: ¡No coloque los elementos sobre la hierba o tierra fangosa porque es extremadamente difícil, si no imposible, limpiarlos después!



Cimentación

Una buena cimentación tiene la mayor importancia en términos de la vida y la seguridad de su cabaña. Sólo una cimentación completamente nivelada, rectangular y con la capacidad de carga adecuada garantiza una instalación sin problemas y la seguridad del edificio y, ante todo, puertas bien ajustadas. Su cabaña durará más tiempo si tiene una cimentación adecuada.

Construya la cimentación de modo que su borde superior se extienda por lo menos 5 cm. por encima del suelo. Al mismo tiempo, asegúrese de que hay suficientes bolsas de aire debajo del suelo para asegurar la ventilación.

Le recomendamos los siguientes tipos de cimentación:

- Cimentación de bloques o de tiras
- Cimentación de losas de hormigón o de pavimento
- Cimentación de hormigón in situ

Construya la cimentación de modo tal que las vigas de la cimentación estén debidamente apoyadas y que la distancia entre los puntos de apoyo sea por lo menos de 50-60 cm. Buscar el asesoramiento de expertos o haga preparar la cimentación por especialistas cualificados.

3 Ensamblaje de la cabaña

ATENCIÓN:

- El paquete incluye 2-3 bloques etiquetados para golpear (una pieza del perfil de pared aproximadamente de 20-30 cm. de largo)

Los elementos mencionados arriba NO ESTAN incluidos en el listado de detalles.

En las cifras los elementos son marcados con los números de posición de tres dígitos. Va a encontrar la posición exacta de estos elementos donde la tercera cifra del elemento ha sido marcada con una "x" en la lista de los elementos.

Rastreles de cimentación

Rastreles de cimentación de la cabaña tienen que ser absolutamente rectos y nivelados a fin de evitar problemas durante el montaje de la construcción.

ATENCIÓN: ¡casas separadas pueden tener diferentes posiciones de la cimentación - ver el dibujo que representa los rastreles de cimentación (vea los datos técnicos)!

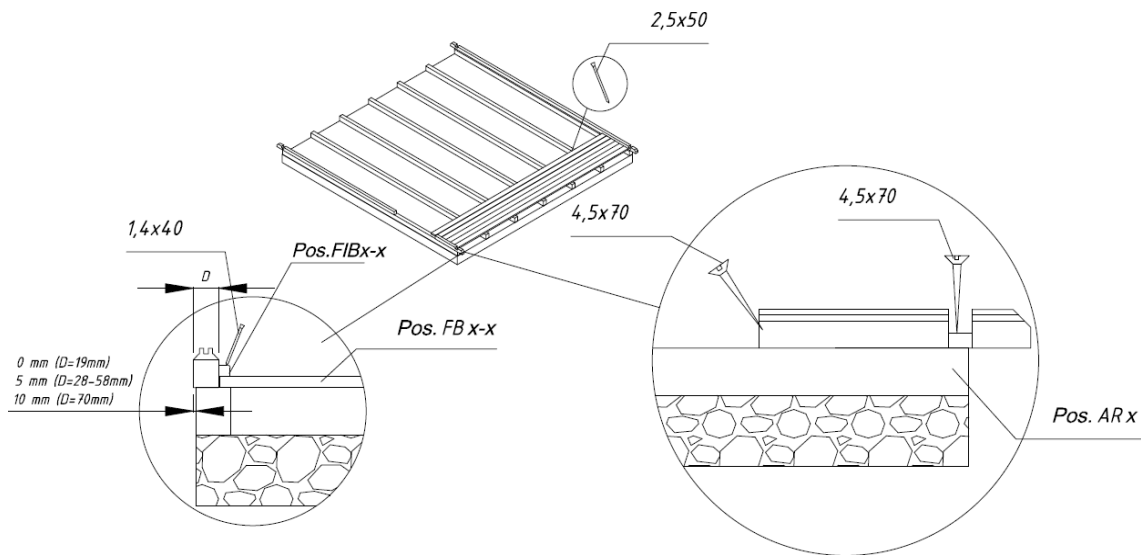
Manual de montaje – Español

Ponga las vigas tratadas con conservantes sobre la cimentación preparada a intervalos iguales según el dibujo. Antes de fijarlas juntas con los tornillos, asegúrese de que las vigas están niveladas y tienen los ángulos rectos.

Consejo: Es recomendable colocar una barrera de humedad entre los rastreles de cimentación y la cimentación para proteger el edificio contra la humedad y los daños.

Consejo: Con el fin de proporcionar protección contra el viento y las tormentas, se recomienda fijar los rastreles a la cimentación (utilizando, por ejemplo, soportes metálicos, anclajes, etc.) ¡Estos elementos no están incluidos en el paquete entregado!

Instalación de los rastreles de cimentación:



Paredes

Durante el montaje de las paredes, recuerde que:

- ¡Todos los elementos han de ser montados con la lengüeta hacia arriba!
- ¡Si es necesario, use los bloques para golpear en vez de un martillo! ¡Nunca golpee directamente en la lengüeta!

Monte las paredes mirando los esquemas de las paredes adjuntos (ver datos técnicos).

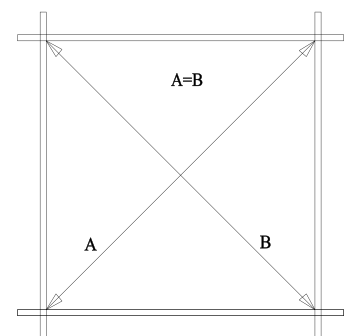
En primer lugar, ponga los elementos parcialmente preparados de las paredes delanteras y traseras en su lugar y fíjelos con tornillos a las vigas de cimentación. Luego coloque las vigas de las paredes laterales en su posición. Asegúrese de que la primera ronda de los elementos se extiende un poco sobre las vigas de la cimentación: los elementos deben ser unos 3-5 mm. sobre las vigas. De esta manera usted protege su casa contra la humedad, dejando fluir libremente el agua de lluvia al suelo.

ATENCIÓN: Después de colocar la primera ronda de los elementos, mida las longitudes de las diagonales y, si es necesario, vuelva a posicionar los elementos. Sólo si las diagonales son exactamente iguales será el marco de la cimentación en ángulo recto y las vigas se podrán fijar unas con otras.

Continuar con la instalación de las paredes, presionando firmemente los elementos entre sí. Si es necesario, use los bloques para golpear y un martillo. Sin embargo, también es tiempo para empezar con la instalación de la puerta y de las ventanas.

La instalación de la puerta debería comenzar después de la quinta o sexta ronda de la instalación de los elementos.

La primera ronda de los elementos:

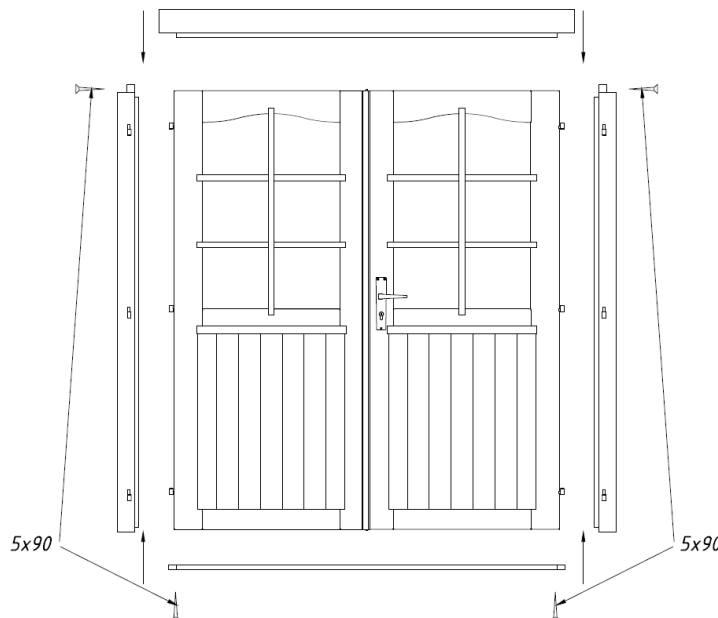


Puertas y ventanas

Marco de la puerta:

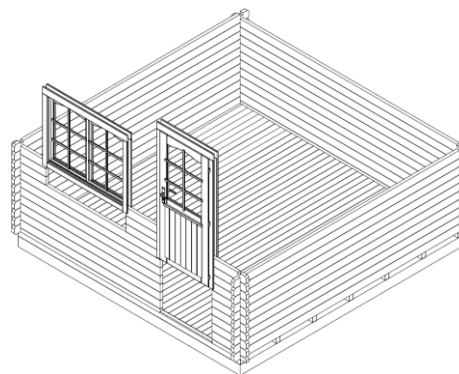
- Por razones de transporte, los marcos de las puertas dobles se entregan en partes separadas y primero se necesita montarlas.
- Con el fin de hacerlo, coloque las cuatro partes de la puerta en su lugar y fijelas con tornillos unas a otras.
- Asegúrese de que el elemento del marco con un corte más profundo es el elemento superior. Los elementos laterales con las manillas de las puertas tienen bisagras y contra imagen.
- Es recomendable instalar los paneles de la puerta más tarde.
- Las puertas simples tienen el marco de la puerta y el panel fijados en su lugar antes de la entrega.

Instalación de la marco de la puerta (Solo necesario con las puertas dobles):



Instalación de la puerta:

El marco de la puerta se pone en la apertura y se empuja con firmeza en el elemento menor. Al instalar una puerta doble, el siguiente paso es colocar los paneles en las bisagras. Para abrir la puerta ajuste el cerrojo y las manillas de la puerta y las manillas de la puerta empaquetados por separado.



Instalación de las ventanas:

Continuar con la instalación de los elementos, hasta llegar al nivel de las ventanas. Los esquemas de la pared (ver datos técnicos) le mostrarán la cantidad de los elementos que se colocan debajo de las ventanas. Instale las ventanas en la manera en que se describe la instalación de la puerta. Al igual que en caso de la puerta, los marcos de las ventanas se empujan firmemente en las aberturas de los elementos debajo. Asegúrese de que la ventana no está al revés.

Consejo: Durante de la instalación de las puertas y ventanas observe la dirección de abertura. Las puertas siempre se abren **hacia al exterior**. Las ventanas con giro lateral se abren **hacia adentro**. Las ventanas con el giro superior se abren hacia al exterior (con las manillas en el interior).

ATENCIÓN: ¡No es necesario fijar la puerta y las ventanas a los elementos de la pared! Si desea puede fijarlas solo con un par de tornillos en la parte inferior del marco ya que los elementos de la pared cada vez se secan más y se contraen.

El último ajuste de las puertas y ventanas sólo puede hacerse aproximadamente 2-3 semanas después de la instalación del edificio, cuando se ha adaptado a las condiciones climáticas y todos los elementos se han asentado.

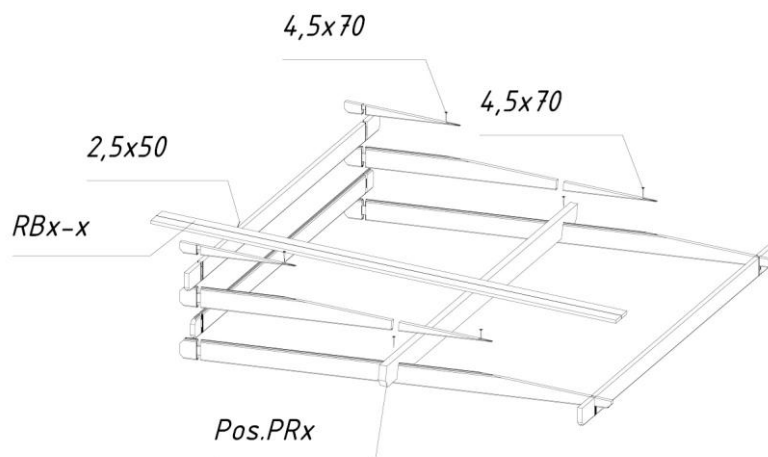
Ápice

En los demás casos, el ápice es en una pieza (¡Atención: en algunas casas, el ápice está compuesto por varias partes! En este caso, es necesario atornillar las partes entre si antes de seguir con la montaje.) Después de instalar las últimas tablas de pared, ponga el ápice a las paredes frontales y traseras y los sujete con tornillos.

Los ápices son marcados para las viguetas de tejado. Las viguetas de tejado son marcados correspondiendo a los ápices, asegurando que el tejado es colocado firmemente y en su lugar correcto.

Ahora coloque las viguetas de tejado en el las terminaciones de cuatro aguas en las muescas para las vigas. Instalación de las viguetas de tejado:

Compruebe que el elemento superior de la pared, terminaciones a cuatro aguas y las vigas se colocan en una posición nivelada. Después de alinear las vigas en su lugar, fíjelas con tornillos de fijación a las terminaciones a cuatro aguas.



ATENCIÓN: Si las tablas de paredes no son bien apretadas uno encima de otro sin huecos, es posible que la tabla de pared superior no está en el mismo nivel con los ápices. En este caso dé golpecitos a los tablas de pared hacia abajo como ve necesario o cepilla el ápice o la tabla de pared lateral un poco más bajo.

Tejado

Antes de poner las tablas del tejado, en su sitio, compruebe que la casa esta totalmente nivelada. Compruebe todas las paredes con el instrumento de nivelación.

ATENCIÓN: Para poner el tejado utilice una escalera estable. ¡No pasee por el tejado, porque la construcción es apropiada para un peso uniforme (nieve, viento, etc.) pero no para una carga puntual!

Comience la colocación de las tablas del tejado desde la parte delantera del tejado. Golpee suavemente las tablas entre sí y fije con clavos en ambos extremos a las correas del tejado y al elemento superior de la pared.

ATENCIÓN: ¡No presione las tablas del tejado una contra otra demasiado firmemente, porque ayuda a evitar abultamientos causados por la humedad! Deje entre las tablas un espacio de aproximadamente 1 mm para permitir la expansión.

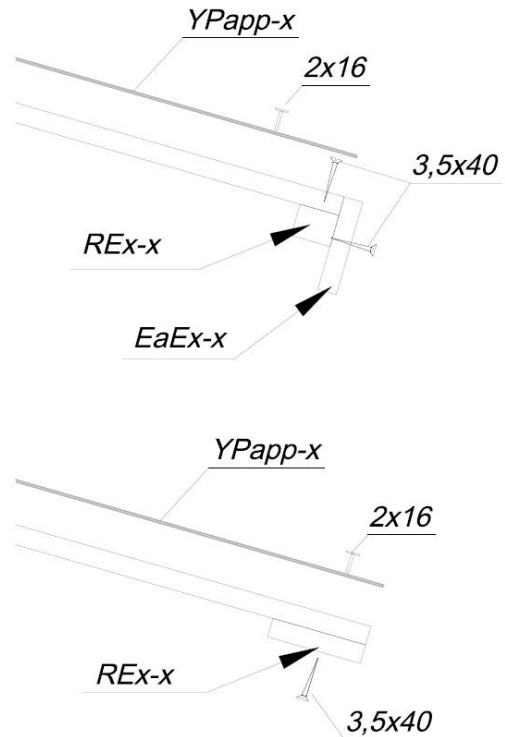
- Durante de la colocación de las tablas del tejado, asegúrese de que las tablas cubren la correa en la cresta del tejado y que los extremos de los aleros se extienden a una distancia igual. Esto se puede comprobar con una cuerda o un tablero de alero fijado para este fin.
- Las tablas del tejado tienen que igualarse con los extremos de las correas, tanto en la parte delantera y trasera. Si es necesario, asierre las últimas tablas lo suficientemente finas para igualarlas con los extremos de las correas.

Después de colocar las tablas del tejado, es necesario fijar en su lugar la fibra de vidrio y los aleros del tejado.

Instalación de los aleros del tejado:

¡Vea en el listado de los elementos, si el material del tejado y las tablas están incluidos en el paquete de un determinado modelo de cabaña!

En primer lugar fije los listones de los aleros y las tablas bajo los extremos de las tablas del tejado. A continuación ajuste el material del tejado.



Material del tejado (¡NB! ¡Algunos modelos no lo tienen incluido en el paquete de entrega!)

Corte el material de la cubierta de acuerdo con la longitud de la cubierta en trozos adecuados y empiece ponerlo en su lugar en paralelo con el extremo inferior del tejado, moviéndolo hacia arriba a la cresta del tejado y coloque las bandas de fieltro desde la parte de atrás a la pared de enfrente. Deje que el fieltro se extienda aprox. 2-4 cm. sobre el borde del tejado. Clave el fieltro de cubierta a las tablas del tejado usando los clavos incluidos en el paquete. Compruebe que los bordes de las bandas de fieltro se superponen por lo menos 10 cm.

Consejo: El fieltro de cubierta no dura por mucho tiempo. Si es posible, le recomendamos que cubra el tejado con tablillas de asfalto o baldosas, que ofrecen un buen aspecto general a su casa. Siga las instrucciones del productor del material de la cubierta y consulte con su especialista.

Suelo

Los suelos se colocan sólo después de que la casa ha sido totalmente montada, lo que impide que se ensucien.

Coloque el suelo en un marco golpeando suavemente unos tableros contra otros y, a continuación, clave las tablas fuertemente a las vigas de la cimentación. Si es necesario, la última tabla debe ser de cortada más fina para encajarla en su lugar.

Por último, se fijan los listones que ayudan a cubrir las diferencias entre el suelo y las paredes. Si es necesario, los listones tienen que ser cortados para tener la longitud justa.

ATENCIÓN: Dependiendo del clima, los suelos pueden expandirse, así como encogerse. Si los suelos están extremadamente secos, pero el clima es húmedo, las tablas se convierten fácilmente húmedas. En este caso las tablas del suelo no se deben ser fijadas demasiado cerca unas de las otras lo que contribuye a evitar posibles abultamientos. Deje algo de espacio (1-2 mm.) entre las tablas del suelo que las permite expandirse. Si ustedes instalan su cabaña de jardín en un lugar con un clima cálido y seco, las tablas del suelo pueden ser puestas muy cerca unas de las otras porque cada vez se secarán más y pueden aparecer aberturas entre las tablas.

Protección contra tormentas (¡NB! ¡No incluido en el paquete de entrega de los algunos modelos!)

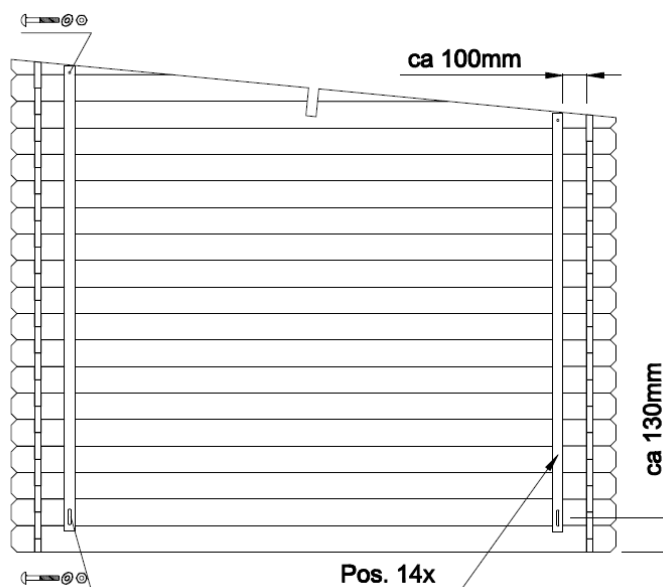
La protección contra tormentas (si se proporciona en el paquete de entrega) se fija a la parte interna de la parte delantera (2 tableros) y la pared trasera (2 tableros) con los tornillos adjuntos. Es importante taladrar los agujeros en los elementos antes de fijar los tornillos. Tenga en cuenta los intervalos entre los tornillos como se muestra en el dibujo, a fin de evitar los problemas que surgen debido a la expansión o contracción de la madera.

Consejo: Asegúrese de que los extremos superiores de protección contra tormentas se fijan a las vigas de los extremos de la terminación de cuatro aguas y los extremos inferiores terminan a la mitad del primer elemento largo de la pared. Si es necesario, corte el los tableros de la parte superior.

Con el fin de permitir la expansión / contracción de la madera, los tornillos no se deben fijar demasiado firmemente.

Después de la instalación del edificio, hay que ajustar las fijaciones para que los elementos de la pared puedan asentarse hacia abajo también.

Instalación de los tableros de acceso:



Recomendaciones generales:

Problema: *Aparecen aberturas entre los elementos de la pared*

Causa: La casa dispone de elementos adicionales incluidos que no permiten la expansión / contracción de la madera.

Solución: Si una puerta / ventana se ha sido fijada a los elementos de la pared con tornillos detalles / clavos, retire los tornillos / clavos.
Si un tablero de acceso ha sido fijado con un tornillo demasiado firmemente, afloje un poco el tornillo.
Si las tuberías (de lluvia) han sido fijadas a las paredes, afloje un poco el cierre que sujeta las tuberías.

Problema: *Puertas / ventanas están atascadas*

Causa: La casa / cimentación ha asentado.

Solución: Compruebe si la casa esta nivelada. Si no lo está, nivele las vigas de la cimentación y las paredes de nuevo.

Causa: Puertas y ventanas se han hinchado debido a la humedad.

Solución: Ajustar las bisagras de las puertas y ventanas, si es necesario, alise la puerta o una ventana más fina.



¡Le deseamos la mejor de las suertes en el montaje de su cabaña y mucha alegría por muchos años!

1 In generale



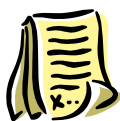
Gentile Cliente,

siamo veramente lieti che Lei abbia scelto la nostra casetta di legno per il Suo giardino!

E' importante leggere accuratamente le istruzioni prima di iniziare con il montaggio della Sua casetta di legno! In tal modo eviterà qualsiasi problema e perdita di tempo.

Consigli:

- Conservare il kit in luogo asciutto e non direttamente sul pavimento, protetto da agenti atmosferici (acqua, sole ecc.) fino al montaggio definitivo. Non conservare il prodotto in ambienti riscaldati !
- Nella scelta del luogo di collocamento, fare attenzione che la casetta non sia esposta a condizioni atmosferiche estreme (vento forte); eventualmente ancorare la casetta ulteriormente con le fondamenta.



Garanzia

La vostra casetta è stata realizzata con pregiato legno di abete rosso nordico e viene consegnata in stato non trattato. Qualora, nonostante il nostro accurato controllo in fabbrica, dovessero sorgere reclami, sarà necessario presentare al negoziante il certificato di controllo compilato insieme alla fattura d'acquisto!

IMPORTANTE: E' assolutamente necessario conservare la documentazione! Sul certificato di controllo è riportato il numero di controllo della casa. Reclami possono essere evasi in garanzia unicamente se comunicherete il numero di controllo al vostro negoziante!

Divergenze che escludono motivo di reclamo:

- Il legno è un prodotto naturale e pertanto le contestazioni relative allo stato naturale non rientrano nella garanzia.
- Reclami relativi al materiale non vengono accettati una volta verniciato!
- Rami cresciuti nel legno.
- Scolorimenti del legno che non influiscono sulla durata.
- Crepe /fessure non passanti che non compromettono la costruzione.
- Nodi nel legno a condizioni che possa ancora essere lavorato.
- Nei punti invisibili del tavolame tetto e pavimento sono ammesse tavole non piallate; sono inoltre ammesse differenze di colore e spigoli dell'albero.
- Reclami successivi dovuti a montaggio non conforme, cedimento della casetta a causa di fondamenta errate sono esclusi.
- I reclami causati introducendo modifiche proprie alla casetta, p.es. deformazione di tavole e finestre/porte dovute ad un montaggio incompetente, fissaggio troppo rigido del listello antivento, avvitarmento dei telai delle porte con le tavole di legno ecc., sono esclusi.

Le rivendicazioni di garanzia sono limitate alla sostituzione del materiale difettoso. Ogni altra rivendicazione è esclusa!



Verniciatura e cura

Il legno è un prodotto naturale e si muove in modo diverso. Caratteristiche quali venature grosse e fini, sfumature di colore e cambiamenti nonché nodi sono dovuti alla crescita dell'albero. Sono del tutto normali nei legni che crescono all'aperto, e pertanto non sono da considerare difetti ma piuttosto una caratteristica del legno naturale.

Il legno non trattato (ad eccezione dei travetti) diventa grigio col tempo, può scolorirsi e fare la muffa. Per proteggere la vostra casetta di legno, è consigliabile trattarla con opportuni preservanti per legno.

Per proteggere al meglio la vostra casetta da giardino, consigliamo di trattare le tavole del pavimento preventivamente con un colore di fondo neutro, in particolare la parte inferiore che non sarà più raggiungibile dopo il montaggio. Solo in questo modo la penetrazione di umidità potrà essere evitata.

Consigliamo di trattare in ogni caso anche porte e finestre con un colore di fondo. E' molto importante verniciare sia il lato interno che quello esterno delle porte in un'unica soluzione, altrimenti potrebbero deformarsi !

Dopo il montaggio, consigliamo di applicare uno strato di fondo sulla pelle esterna (senza tetto), non appena il medesimo si sarà asciugato, verniciare la casetta con una velatura per legno per proteggere il legno dall'umidità e dalle radiazioni UV.

Per la verniciatura, usare attrezzi e vernici di qualità e rispettare le istruzioni di sicurezza e applicazione del produttore della vernice. Non verniciare in pieno sole o in caso di pioggia. Farsi consigliare dettagliatamente dal venditore sulla protezione di legni di conifera non trattati.

Con una regolare verniciatura aumenterete notevolmente la durata della vostra casetta da giardino. Consigliamo un'ispezione semestrale della casetta.

2 Preparazione al montaggio

Attrezzi e preparazione dei particolari

Attrezzi occorrenti:



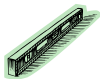
aiutante



scala doppia



martello



livella a bolla d'aria



cacciavite



sega



coltello



metro



pinza



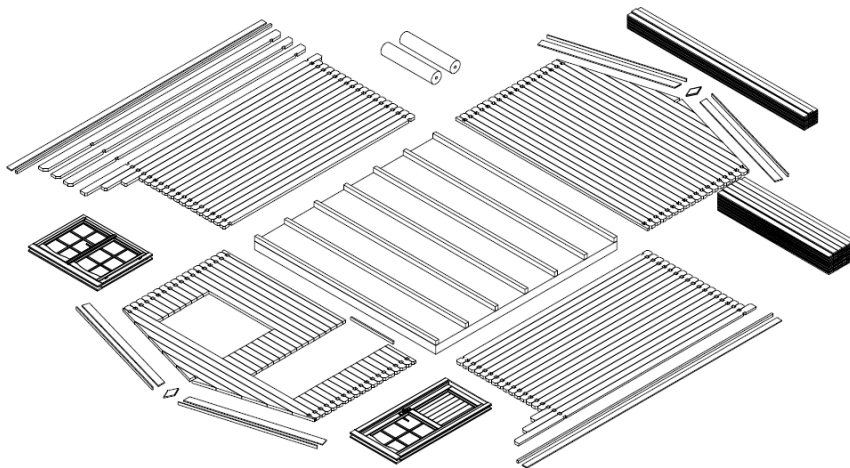
trapano

AVVERTENZA: Per evitare lesioni causate da eventuali schegge di legno, portare guanti di protezione durante il montaggio.

Preparazione dei particolari:

Dividere il materiale e predisporre i quattro lati della casetta nella sequenza indicata.

IMPORTANTE: Non appoggiare mai i legni direttamente sul prato o su superfici sporche in quanto sarebbe difficile o persino impossibile pulirli successivamente!



Fondamenta

La cosa più importante per la sicurezza e la durata della vostra casetta sono delle buona fondamenta. Solo fondamenta completamente orizzontali e stabili garantiscono un montaggio perfetto delle tavole di legno, stabilità e soprattutto precisione di adattamento delle porte. Con delle buone fondamenta, la vostra casetta di legno durerà molti anni di più.

Preparare le fondamenta in modo tale che il bordo superiore sporga di almeno 5 cm dal pavimento per proteggere la vostra casetta meglio dall'umidità. Ricordate inoltre che la casetta deve essere sufficientemente ventilata.

Nostri consigli per le fondamenta:

- Fondamenta a strisce o punti
- Fondamenta in calcestruzzo risp. fondamenta con lastre da marciapiede
- Gettata di calcestruzzo

Preparare le fondamenta in maniera tale che i travetti siano sorretti ovunque alla distanza di max. 50-60 cm .

Fatevi eventualmente consigliare da un esperto ovvero fate preparare le fondamenta da un esperto.

III. Montaggio

IMPORTANTE:

- Compresi nella confezione, 2-3 legni contrassegnati per aiuto montaggio (profilo tavola lungo ca. 20-30 cm).

Gli elementi menzionati sopra **NON** sono elencati nella distinta pezzi.

- Nelle figure, gli elementi sono contrassegnati con voci a tre caratteri. Troverete le voci esatte di tali elementi il cui 3° carattere nella figura è contrassegnato con "x", nella distinta pezzi.

Travetti

I travetti devono assolutamente trovarsi a livello e in piano per garantire un montaggio perfetto.

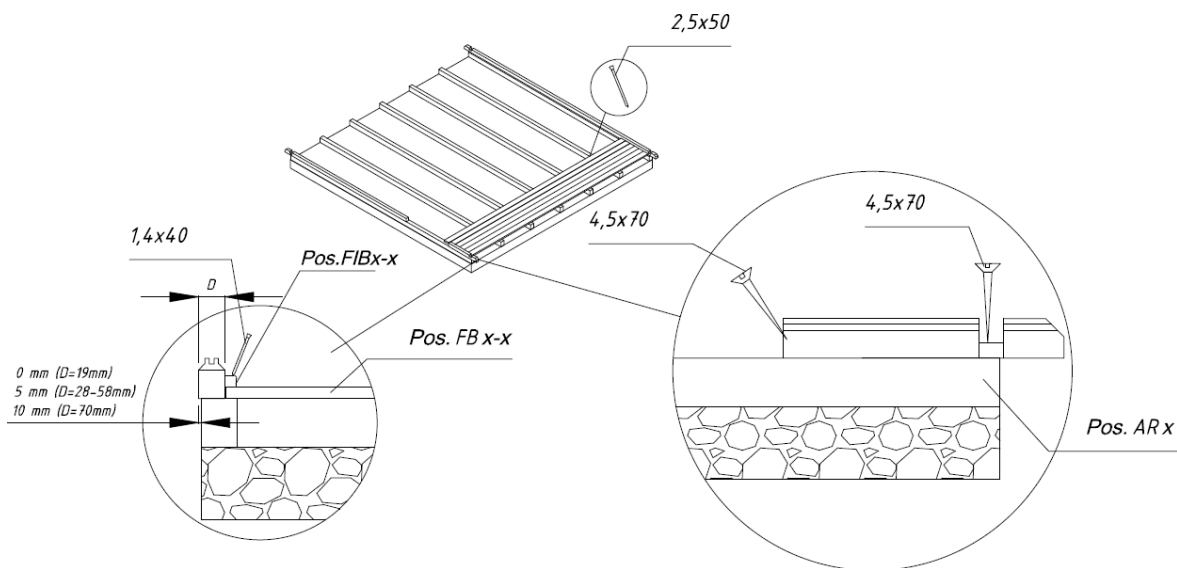
ATTENZIONE: Lo schema delle fondamenta può variare a seconda del modello di casetta. Rispettare lo schema allegato (vedi Dati Tecnici)!

Appoggiare i travetti impregnati sulle fondamenta preparate ad una distanza uguale tra di loro (vedi schema delle fondamenta in Dati Tecnici). Fate attenzione che i travetti siano a livello ed in squadra prima di avvitarli.

AVVERTENZA: E' consigliabile interporre tra i travetti e le fondamenta un blocca-umidità che protegge da umidità e marcio.

AVVERTENZA: E' inoltre consigliabile ancorare i travetti con le fondamenta. (Usare a tale scopo p.es. squadra di metallo, bulloni di ancoraggio per calcestruzzo e sim.). Questo materiale non è in dotazione!

Montaggio dei travetti:



Pareti

Per il montaggio delle pareti è importante sapere che:

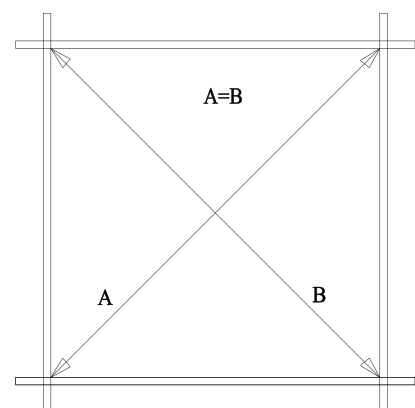
- Le tavole di parete vengono unite sempre con il maschio verso l'alto!
- Se necessario, usare il blocchetto di legno ed il martello! Non battere mai con il martello direttamente sul maschio!

Gli schemi delle pareti (vedi parte: Dati Tecnici) illustrano il montaggio delle pareti.

Per primo, posare le mezze tavole della parete anteriore e posteriore e fissarle con viti ai travetti. Successivamente portare le tavole delle pareti laterali nella loro posizione facendo attenzione che il primo cerchio di tavole sporga leggermente dai travetti: le tavole dovrebbero sporgere di ca. 3-5 mm dai travetti per formare una grondaia e proteggere dall'acqua.

IMPORTANTE: Dopo il primo cerchio di tavole, misurare la diagonale ed eventualmente ri-allinearla! Soltanto se le misure della diagonale corrispondono al millimetro, il telaio si trova in squadra e può essere fissato. Se necessario, ripetere l'allineamento.

Cerchio di tavole



Proseguire incastrando saldamente le prossime tavole tra loro. Se necessario, utilizzare il blocchetto di legno ed il martello. Ricordare sempre di iniziare con il montaggio delle finestre e delle porte.

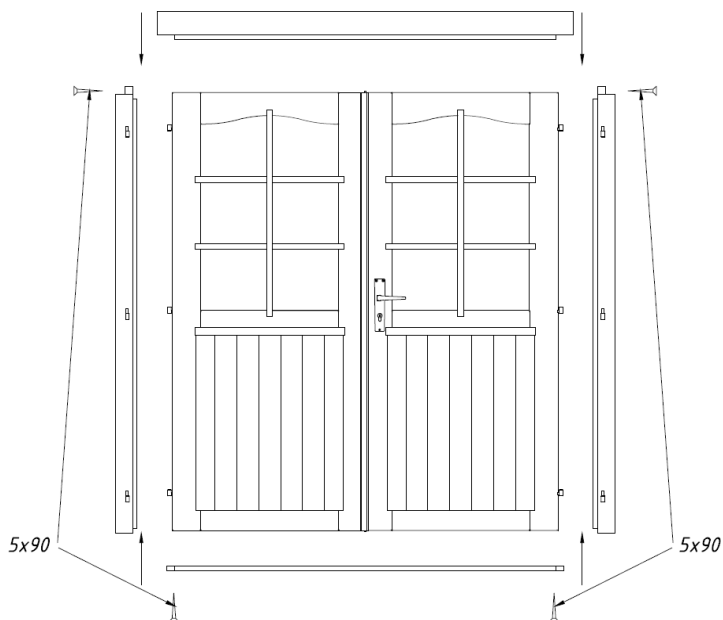
Il montaggio delle porte dovrebbe in ogni caso avvenire dopo il 5°-6° strato di tavole.

Porta e finestra

Telaio porta:

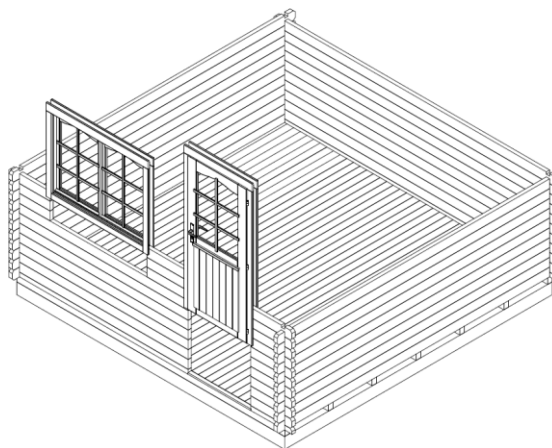
- Per motivi di trasporto, in caso di porta doppia, gli elementi del telaio vengono consegnati sfusi e devono essere assemblati.
- A tale scopo, unire i quattro legni del telaio della porta doppia e avvitarli.
- Fare attenzione che l'elemento con le fessature più profonde vada a finire sul lato superiore della porta. Gli elementi laterali sono speculari con le cerniere.
- E' raccomandabile applicare i battenti solo in seguito.
- Nella porta semplice, gli elementi del telaio ed il battente sono già assemblati.

Montaggio del telaio porta (solo per doppia porta!):



Montaggio della porta:

Il telaio viene inserito da sopra nell'apertura creata e premuto fortemente sulla tavola inferiore. Nelle casette con doppia porta, applicare ora i battenti. Montare ora le maniglie imballate separatamente per poter aprire la porta.



Montaggio delle finestre:

Procedere alzando le pareti fino a raggiungere l'altezza delle finestre. Dagli schemi della parete (vedi Dati Tecnici) risulta quante tavole si trovano sotto le finestre. Per inserire le finestre, procedere esattamente come per la porta. Inserire il telaio della finestra con la finestra sopra le tavole e premere forte sulla tavola inferiore. Fare attenzione di non montare la finestra a rovescio.

AVVERTENZA: Per le finestre e le porte, rispettare assolutamente la direzione di montaggio. Le porte si aprono sempre dal vano interno della casetta **verso l'esterno**. Le finestre ribaltabili-girevoli si aprono **verso l'interno**. Le finestre sospese e girevoli si aprono **verso l'esterno** (le maniglie delle finestre sono all'interno della casetta).

Istruzioni di montaggio – Italiano

IMPORTANTE: Non è necessario fissare la porta e le finestre alle tavole della parete. Se desiderate, fissateli con una o due viti nella parte inferiore del telaio in modo che le tavole della parete possano assestarsi durante l'asciugatura.

La registrazione definitiva della porta deve avvenire solo dopo ca. 2 - 3 settimane, quando il legno si è adattato al clima e le tavole della parete si sono assestate.

Timpano

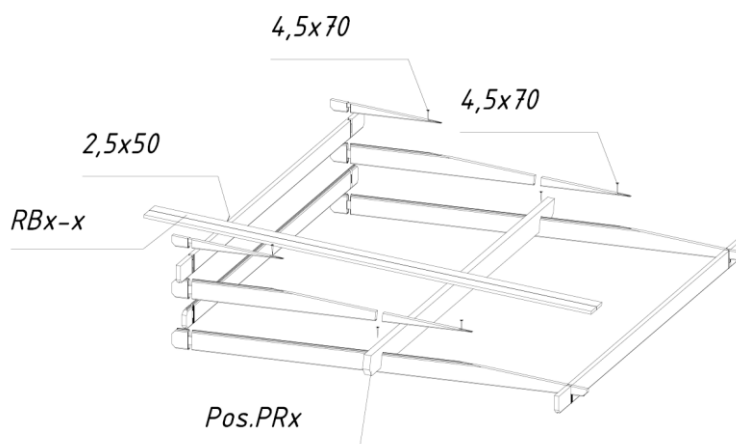
Il triangolo del timpano è quasi sempre composto di un unico pezzo. (Attenzione: A seconda del modello, il triangolo del timpano può essere anche composto di più pezzi ! In tal caso gli elementi devono prima essere avvitati tra loro.) Dopo il montaggio delle ultime tavole parete, applicare i triangoli del timpano sulla parete anteriore e posteriore e fissarli con le viti.

I triangoli del timpano contengono cavità per l'inserimento degli arcarecci. Anche gli arcarecci sono provvisti di cavità per evitare che il tetto si sposti.

Inserire ora gli arcarecci negli appositi incavi dei timpani.

Montaggio degli arcarecci:

Verificare che i punti d'unione tra timpano, tavola parete superiore e arcarecci formino una superficie piana. Dopo l'inserimento degli arcarecci, avvitare gli stessi da sopra con il timpano.



IMPORTANTE: Se i lati superiori degli arcarecci non chiudono a filo con il timpano, abbassare le tavole parete battendo o piallare il timpano risp. la tavola parete laterale.

Tetto

Prima della posa delle tavole tetto, controllare che la casetta si trovi al 100% in piano. Controllare con una livella a bolla d'aria tutte e 4 le pareti laterali.

IMPORTANTE: Il rivestimento del tetto deve essere applicato solo con l'uso di una scala stabile. Il tetto non deve essere calpestato poiché la struttura è prevista per un caricamento totale (neve, vento etc.) e non per carichi concentrati.

Iniziare con la posa delle tavole tetto dal lato anteriore della casetta. Unire le singole tavole battendo leggermente e inchiodarle sopra e sotto agli arcarecci e alla tavola parete superiore.

IMPORTANTE: Fare attenzione affinché le tavole tetto non vengano fissate troppo vicine tra loro per evitare l'eventuale rigonfiamento dovuto all'umidità. Lasciare una distanza di ca. 1 mm tra le singole tavole di modo che il legno possa muoversi ancora un poco.

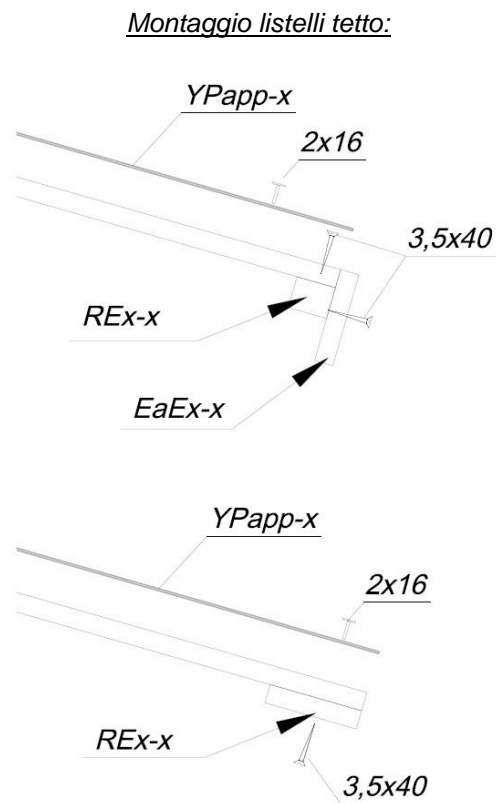
- Sull'intero tetto badare ad un assoluto parallelismo dei bordi della gronda con sporgenza uguale e appoggio uniforme sull'arcareccio del colmo. Effettuare il controllo con una corda o con la tavola di gronda laterale che userete per la verifica.

Istruzioni di montaggio – Italiano

- Le tavole tetto devono chiudere a filo, davanti e dietro, con gli arcarecci del tetto. Se necessario, accorciare le ultime tavole tetto con una sega.

Dopo aver posato le tavole del tetto, applicare del cartone catramato e i listelli di chiusura tetto. Se la copertura tetto e i listelli di chiusura tetto fanno parte della fornitura è riportato nella distinta pezzi.

Avvitare prima i rinforzi del bordo tetto ed il listello bordo tetto sotto le estremità delle tavole tetto (se comprese nella fornitura). Dopodiché applicare il cartone catramato.



Cartone catramato (se in dotazione)

Per la copertura del tetto, tagliare le strisce secondo la lunghezza del tetto dal cartone catramato in dotazione. Iniziare con il fissaggio delle strisce bitumate sul lato inferiore del tetto posando delle strisce nel senso della lunghezza dalla parte posteriore verso quella anteriore. Lasciare sporgere la prima striscia lateralmente di ca. 2-4 cm (grondaia). Fissare il cartone catramato con gli appositi chiodi in dotazione a distanze di ca. 15 cm. Nell'applicazione degli strati successivi, badare affinché i medesimi siano sovrapposti allo strato precedente di almeno 10 cm.

Pavimento

Solo a montaggio completo della casetta avviene la posa delle tavole pavimento per evitare che il pavimento si sporchi inutilmente.

Appoggiare le tavole pavimento sui travetti, unirle battendo leggermente e fissarle stabilmente sui travetti con i chiodi. Se necessario, adattare le ultime tavole tagliandole.

Infine applicare internamente i battiscopa per coprire eventuali giunti alle pareti. I listelli devono eventualmente essere adattate tagliandoli.

IMPORTANTE: A causa delle diverse condizioni climatiche nei luoghi in cui la casetta può essere collocata, anche le tavole pavimento possono muoversi in modo diverso. Se sono molto asciutte ma il clima è umido, assorbono facilmente l'umidità. Pertanto è consigliabile fissare le tavole non troppo vicine per evitare eventuali rigonfiamenti. Lasciare una distanza di ca. 1-2 mm tra le singole tavole per fare muovere il legno. Tuttavia se il clima è caldo e asciutto, potete disporre le tavole molto vicine in quanto si asciugheranno ulteriormente e si formeranno fessure tra le tavole.

Listelli antivento (se in dotazione!)

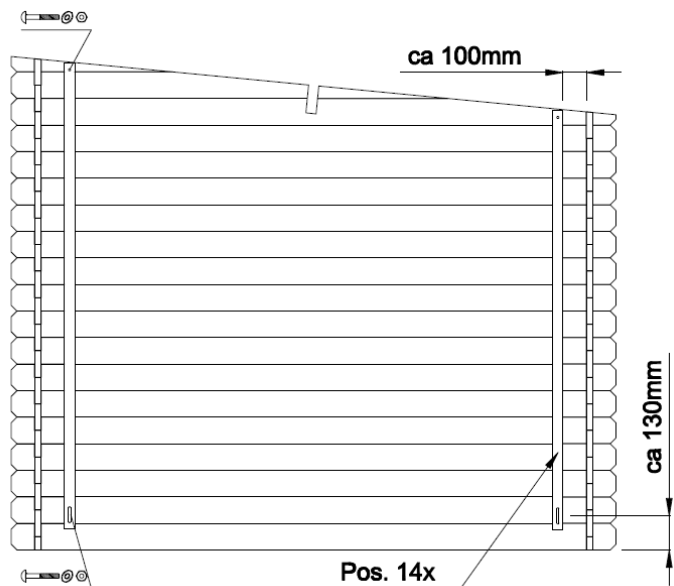
I listelli antivento devono essere montati all'interno con le viti a testa quadra in dotazione sulla parete anteriore (2) e su quella posteriore (2). A tale scopo è necessario forare prima le tavole. Rispettare le distanze indicate sul disegno per evitare in seguito problemi con il movimento del legno.

AVVERTENZA: Far sì che i listelli antivento vengano fissati in alto, sulla tavola del timpano e sotto, nel centro della prima tavola parete intera. Al bisogno accorciare i listelli dalla parte superiore.

Le viti a testa quadra devono essere strette a mano affinché il legno possa continuare a muoversi.

Quando la casetta si sarà assestata, è necessario registrare i fissaggi affinché le tavole parete possano assestarsi nella parte inferiore.

Montaggio dei listelli antivento:



Consigli:

Problema:

Formazione di fessure tra le tavole

Causa:

Sulle pareti sono stati applicati particolari che impediscono il movimento del legno.

Rimedio:

Se finestra/porta sono fissate alle tavole da parete con viti/chiodi, eliminarli;

Se i listelli antivento sono avvitati alle tavole in modo troppo rigido, montarli in modo flessibile;

Se alla parete è montata una condotta (acqua), montare i fissaggi in modo più flessibile;

Problema:

Finestre e porte si bloccano

Causa:

La casetta/le fondamenta si è/sono abbassata/e

Rimedio:

Controllare che la casa sia a livello. Riportare travetti e pareti in posizione orizzontale.

Causa:

Finestre e porte si sono gonfiate a causa dell'umidità

Rimedio:

Registrare le cerniere di porte e finestre; se necessario, rimpiccolire porta/finestra con la pialla



Vi auguriamo successo nel montaggio della casa e speriamo che la godrete per molti anni!

1 Generell informasjon



Kjære kunde,

det gleder oss at du valgte hagehuset vårt!

Les monteringsanvisningen grundig før du går i gang med å sette sammen huset! For å unngå problemer og bruk av unødig tid.

Husk:

- La huset være innpakket og oppbevar det på et tørt sted, ikke i direkte kontakt med bakken og godt beskyttet mot vær og vind (fuktighet, solskinn osv.), helt frem til arbeidet påbegynnes. Huspakken må ikke oppbevares i et oppvarmet rom!
- Kontrollerer leveransen mot delelisten for å se om alle delene er inkludert, før du starter monteringen. Sorter delene i samsvar med monteringsanvisningen og legg de fire sidene ut i forhold til monteringsrekkefølgen.
- Bygging må skje i henhold til lokale byggeforskrifter, som varierer ut i fra områdets grunnforhold og klima. Sjekk dette for din kommune.
- Hvilke bygg som er melde-/søknadspliktig varierer tilsvarende.
- Våre boder og anneks er komplette grunnsett.
- Brukeren må selv forsikre seg om at produktet er godt nok forankert til grunnen i forhold til lokale forhold.
- På utsatte steder bør det barduneres med waier til grunn, og ekstra tetting/ pakninger benyttes for å unngå vanninntregning ved ekstreme værforhold.
- Taket må måkes for snø om vinteren.
- Produktet må omgående behandles med korrekt grunning, maling/ beis utvendig og innvendig, se veiledning nedenfor.
- Ulike klimatiske forhold vil gi ulike behov.
- Frem til produktet er ferdig montert med takdekke og behandlet må det beskyttes mot fukt og vind.



Garanti

Dette huset er fremstilt av høykvalitets gran (furu brukes i enkelte tilfeller) og leveres ubehandlet. Dette huset har gjennomgått en grundig inspeksjon. Dersom du likevel skulle ha grunn til reklamasjon, ber vi deg fyller ut kontrollskjema og sende det sammen med kjøpsbeviset og kvitteringen til forhandleren.

OBS: Sørg for å oppbevare all dokumentasjon som følger med huspakken! Husets serienummer er oppført på kontrollskjema. Vi kan kun behandle en reklamasjon dersom du sender husets serienummer til forhandleren!

Garantien dekker ikke:

- Særegenhet i treverket som et naturlig materiale
- Deler som allerede er behandlet (malt, grunnet)
- Deler av huset som inneholder hele kvister som ikke representerer en fare for husets stabilitet

Monteringsanvisning - Norsk

- Variasjoner i fargetone som er forårsaket av forskjeller i trestrukturen og som ikke har betydning for treverkets levetid
- Deler av huset som sprekker på grunn av tørking, dvs. små sprekker/ riss som ikke er gjennomgående og som ikke påvirker husets struktur
- Deler av vridd tre som likevel kan monteres
- Tak- eller gulvplank som på skjulte overflater kan oppvise uhøvlede områder, fargeforskjeller og vankant
- Reklamasjoner fordi huset er blitt montert på ukyndig måte eller fordi huset sigr på grunn av ukyndig utført fundament
- Reklamasjoner fordi det er blitt gjort endringer på huset på eget initiativ, som f.eks. formendringer på deler av tre eller dører/ vinduer. På grunn av ukyndig behandling av treverket; at stormavstivere er festet for stramt, dørkarmen er blitt skrudd inn i veggbord eller lignende.

Reklamasjonene som dekkes av garantien er begrenset til å omfatte erstatning av manglende/ feil materiale. Alle andre krav er utelukket!

Produsent forbeholder seg retten til å endre tekniske egenskaper ved produktet.



Maling og vedlikehold av hagehuset

Tre er et naturlig materiale som beveger og tilpasser seg i forhold til værforholdene. Større eller mindre sprekker, fargeforskjeller og endringer samt ulikheter i treets struktur er ikke feil, men et resultat av treets vekst og en særegenhet i treverket som et naturlig materiale.

Ubehandlet treverk blir grått hvis det blir værende ubehandlet over tid og kan bli blått og begynne å råtne. For å beskytte treverket i hagehuset, må det før montering behandles med grunning.

Alle deler må behandles med grunning (f. eks. Visir) på alle sider (innvendig og utvendig), laftespor, not og fjær, før montering. Husk: Endeved 3-4 strøk vått i vått. Grunn vinduer og dører på alle sider. Grunn tak/gulvbord på alle sider.

Hvorfor grunning?

Det er ekstra mye endeved i en laftehytte. Hvert eneste laftespor har endeved. Det er endeveden som tar til seg mest fuktighet i treverk. Ved produksjon av en laftehytte blir treverket tørket før det blir produsert. Dette gjør at delene lettere tar til seg fuktighet når pakken blir åpnet. Tørket trevirke som blir utsatt for fuktighetssvingninger vil ofte vri seg og skape spenninger i treverket som kan utløse mange problemer. En grunning sin viktigste funksjon er å redusere fuktopptak og dermed redusere spenningsproblemer. Den andre viktige funksjonen til en grunning er å hindre dannelse av sopp og råte. Dette oppstår gjerne på steder som har dårlig lufting, som f. eks. i laftesporene. Når huset er ferdig montert, må det ferdige huset behandles med et værbestandig malingsstrøk utvendig som beskytter treverket mot fuktighet og UV-stråler. Innvendig må huset etterbehandles i henhold til bruksmønster.

Bruk maleredskaper og maling/ beis av høy kvalitet når du maler huset. Følg anvisningene på spannet og produsentens sikkerhets- og bruksanvisninger. Du må aldri male en overflate i sterkt sollys eller i regnvær. Forhør deg hos en malerspesialist når det gjelder hvilken maling som egner seg for ubehandlet myktre, og følg anvisningene fra produsenten.

Dersom huset er blitt malt på riktig måte, vil husets levetid forlenges betraktelig. Vi anbefaler at du inspiserer huset grundig hvert halvår.

2 Foreberedelse før montering

Verktøy og forberedelse før montering

Du trenger følgende verktøy ved montering:



monteringshjelp



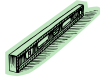
stige



hammer



drill



vater



skrutrekker



sag



kniv



målebånd



avbiter tang

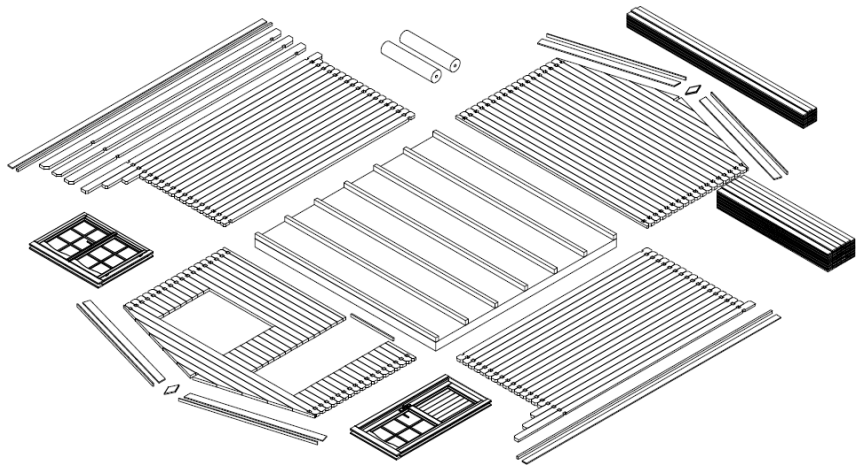
OBS: For å unngå flis anbefaler vi bruk av hansker under monteringen.

Monteringsanvisning - Norsk

Forberedelse av komponenter:

Sorter komponentene i samsvar med veggtegningene (se Tekniske spesifikasjoner) og legg de fire sidene ut i forhold til monteringsrekkefølgen.

OBS: Ikke legg komponentene direkte ned på gresset eller på skittent underlag, for det kan bli veldig vanskelig eller til og med umulig å rengjøre dem etterpå!



Fundament

Et godt fundament er det viktigste av alt når det gjelder å gi huset lang holdbarhet og sikkerhet. Bare et fullstendig plant, rektangulært og bærende fundament sikrer at huset kan monteres problemfritt, at det blir stabilt og særlig at dørene passer som de skal. Med et godt fundament vil huset stå i årevis.

Forbered fundamentet slik at den øvre kanten stikker opp fra bakken i en høyde på minst 5 cm. Sørg samtidig for at det er tilstrekkelig med luftåpninger under husets gulv til ventilasjon.

Vi anbefaler følgende fundamenttyper:

- Kant- eller søylefundament
- Fundamentmur av betong eller stein
- Helstøpt betongsåle

Forbered fundamentet slik at bærebjelkene i fundamentet støttes opp på hver side med avstander som ikke overstiger 50-60 cm.

Rådfør deg med en fagperson på området eller få fundamentet produsert av fagfolk.

3 Montering av hagehuset

OBS:

- Huspakken inneholder også 2-3 markerte slagblokker (veggprofil omtrent 20-30 cm lang).

INGEN AV detaljene som er opplistet over er nevnt i spesifikasjonslisten.

- Detaljene er merket med tresifrede posisjonsnumre på tegningene. De eksakte posisjonene til de detaljene som har en "x" som tredje siffer, er å finne i spesifikasjonslisten.

Basisramme (fundamentets bærebjelker)

Husets basisramme må være fullstendig flat og plan, slik at monteringsarbeidet kan utføres uten problemer.

OBS: De forskjellige husene kan ha forskjellig fundamentplassering – se vedlagte tegning over basisramme (i Tekniske spesifikasjoner)!

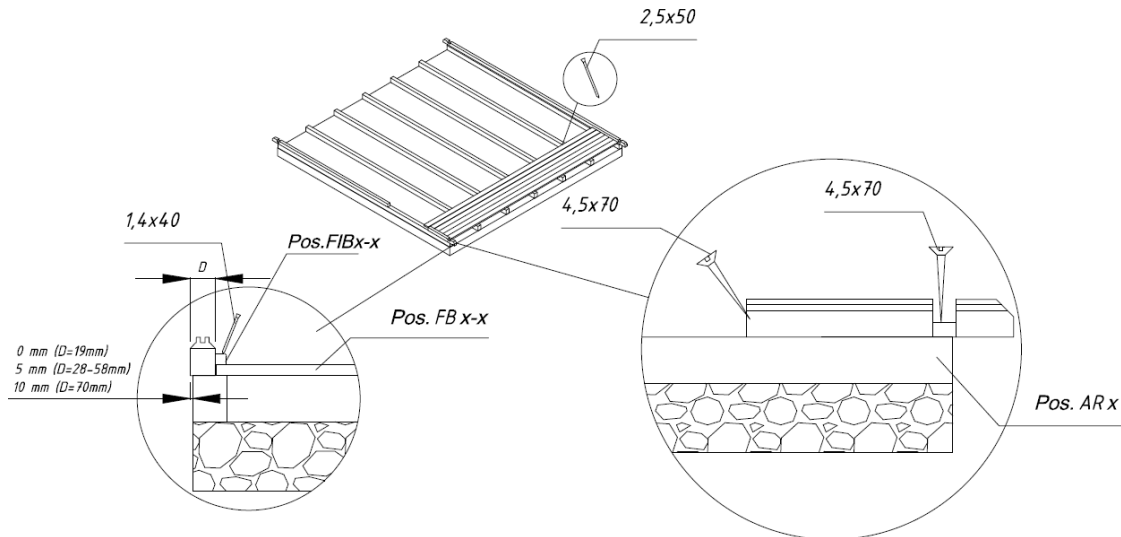
Monteringsanvisning - Norsk

Plasser de impregnerte bærebjelkene i jevne avstander på det ferdige fundamentet i samsvar med tegningen. Pass på at bjelkene ligger plant og rektangulært før de skrues sammen.

ANMERKNING: Det anbefales å legge en fuktsperre mellom bjelkene og fundamentet. Den vil beskytte huset mot fuktighet og forråtnelse.

ANMERKNING: For å sikre beskyttelse mot sterk vind, anbefaler vi å feste bjelkene til fundamentet (til dette kan du for eksempel bruke kneprofiler av metall osv.). Slike materialer er ikke inkludert i pakkesettet!

Montering av bærebjelker:



Vegger

Når veggene skal monteres, er det viktig å huske at:

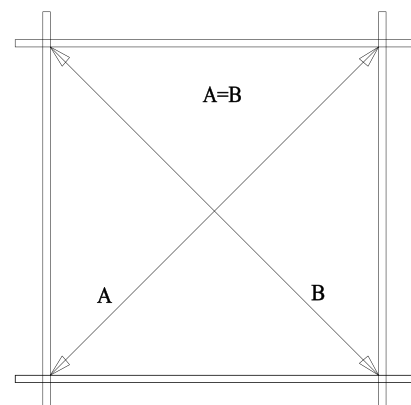
- Stokkene alltid monteres med tungen vendt oppover!
- Om nødvendig, bruk slagblokk og hammer! Slå aldri direkte på tungen med hammeren!

Monter veggene i samsvar med vedlagte veggtegning (se Tekniske spesifikasjoner).

Det første laget med stokker:

Aller først legges halvparten av stokkene til fremre og bakre vegg på riktig plass, deretter festes de til bærebjelkene med festeskruene. Monter så stokkene til sideveggene. Pass på at det første laget med stokker stikker litt ut over bærebjelkene: stokkene må stikke ca. 3-5 mm ut over bjelkene. På den måten beskyttes huset mot fuktighet ved at regnvannet renner rett ned på bakken.

OBS: Når det første laget med stokker er lagt, måles de diagonale lengdene. Hvis nødvendig, monter stokkene på nytt igjen. Kun dersom de diagonale lengdene er fullstendig like, er basisrammen rektangulær, og du kan feste stokkene.



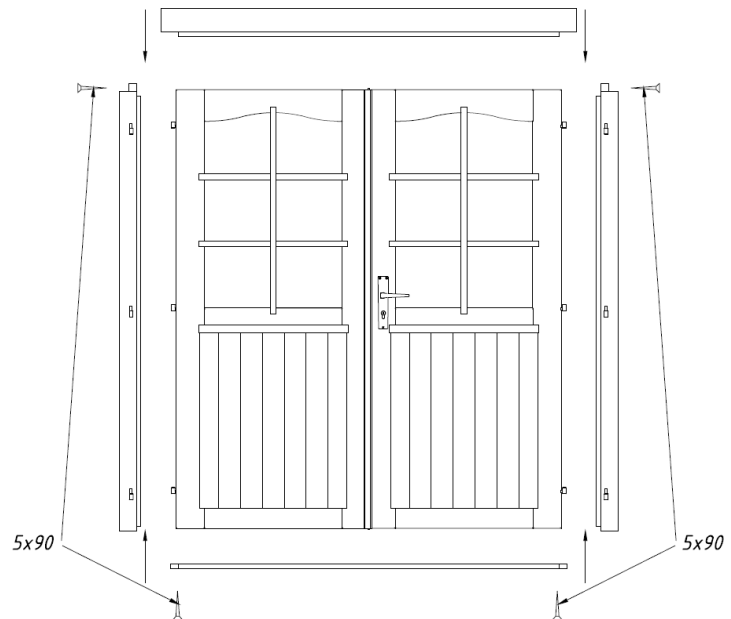
Fortsett monteringen av veggene ved å sette veggstokkene godt fast i hverandre. Om nødvendig, bruk slagblokk og hammer. Men ikke glem å begynne med montering av dører og vinduer samtidig. Etter det 5. eller 6. laget med stokker bør du begynne å montere døren.

Dør og vindu

Dørkarm:

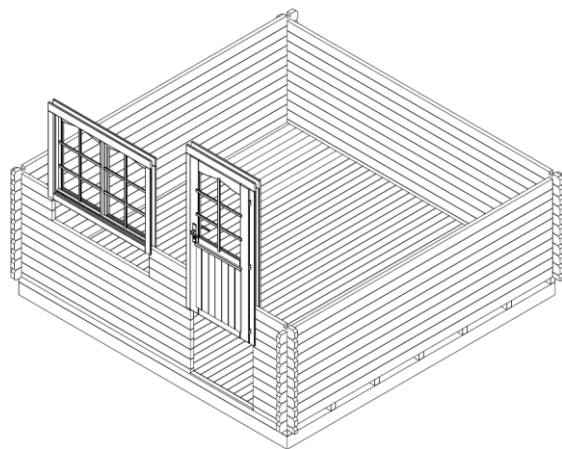
- Hvis det er en dobbel dør, leveres dørkarmen i deler på grunn av visse transportvilkår, slik at du må montere den selv.
- Dette gjøres ved å sette sammen de fire delene til karmen og skru dem på hverandre.
- Pass på at den delen av karmen med det dypeste innsnittet monteres oppover. Dørens sideposter har speilvendte hengsler.
- Det anbefales å montere dørbladene til slutt.
- Hvis det er en enkeltdør, leveres karmen og bladet ferdig montert.

Montering av dørkarm (kun nødvendig for dobbel dør!):



Montering av dør:

Dørkarmen plasseres i den formede åpningen og skyves med makt ned i den nedre stokken. Hvis det er en dobbel dør, plasseres bladene på hengslene nå. For å åpne og lukke døren, monteres låset og dørklinken. Dette finner du i den separate pakken.



Montering av vindu:

Fortsett med montering av veggømmer til du når vindushøyde. Veggtegningene (se Tekniske spesifikasjoner) viser hvor mange stokker det skal være under vinduet. Monter vinduet omtrent på samme måte som døren. Skyv vinduskarmen med vinduet med makt ned på den nedre stokken i vindusåpningen, slik som med døren. Pass på at vinduet ikke monteres bak-frem (feil vei).

ANMERKNING: Pass godt på at vinduer og dører lar seg åpne i riktig retning. Dørene skal alltid kunne åpnes innefra **og ut**. Vipp/svingvinduene åpnes **innover**. Sidehengslede vinduer åpnes **utover** (håndtakene er på innsiden).

OBS: Det er ikke nødvendig å feste dørene og vinduene til veggømmeret! Hvis du vil gjøre dette, er det nok å feste dem med noen skruer i den nedre delen av karmen, fordi når veggømmeret tørker, begynner det å sige.

Du kan foreta de siste justeringene av dører og vinduer når det er gått 2-3 uker etter at huset er blitt montert, når huset har tilpasset seg til værforholdene og tømmeret har fått satt seg.

Takstol

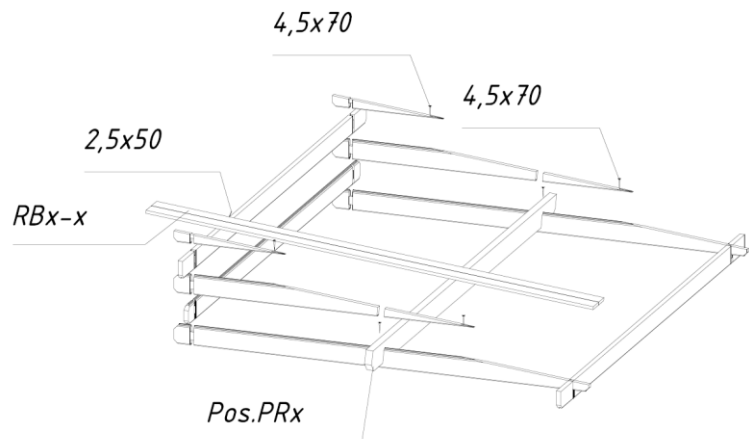
I de fleste tilfeller leveres takstolen i ett stykke (OBS: for noen hustyper kan takstolen omfatte flere deler! I så fall må disse delene skrues sammen før du fortsetter monteringen). Når de siste veggstokkene er montert, plasseres takstolen på fremre og bakre vegg og festes med skruer.

Takstolene har innsnitt for takåser. Takåser har tilsvarende innsnitt, pass på at taket settes korrekt på plass og at det sitter godt.

Montering av takåser:

Nå plasseres takåser inn i de tilsvarende innsnittene i takstolene.

Pass på at den øverste veggstokken, takstolene og takåser er i vater. Når takåser er plassert, skru dem fast på takstolen fra oversiden.



OBS: Hvis veggstokkene ikke er presset skikkelig ned på hverandre slik at det ikke er mellomrom mellom dem, kan det hende at den øverste veggstokken ikke er på det samme nivået som takstolene. I så fall må du slå veggstokkene så godt som mulig ned i hverandre eller høvle takstolen eller veggstokken litt lavere.

Taket

Pass på at huset er fullstendig i vater før takbordene monteres. Bruk et vater for å kontrollere alle veggene.

OBS: Bruk en stabil stige når du skal montere taket. Ikke tråkk på taket, for strukturen er kun egnet for å motstå jevn belastning (snø, vind osv.) og ikke konsentrert belastning!

Start monteringen av takbordene **fra takets fremre kant**. Bank bordene lett mot hverandre og fest dem ovenfra og ned med spiker på takåser og den øvre veggstokken.

OBS: Ikke press takbordene for tett sammen, ellers kan de bule seg på grunn av fuktighet! La det være en avstand på omlag 1 mm mellom bordene for å gi rom for utvidelse.

- Pass på at takåser treffer hverandre i mønet og at den siden av bordet som danner takskjegget stikker like langt ut hele veien under hele prosessen med montering av takbordene. Dette kan du kontrollere med et tau eller ved å montere en taklekt langs siden.
- Takbordene må være i flukt med takåser ender både foran og bak på huset. Om nødvendig, sag de to siste takbordene så smale at de er i flukt med takåser endene.

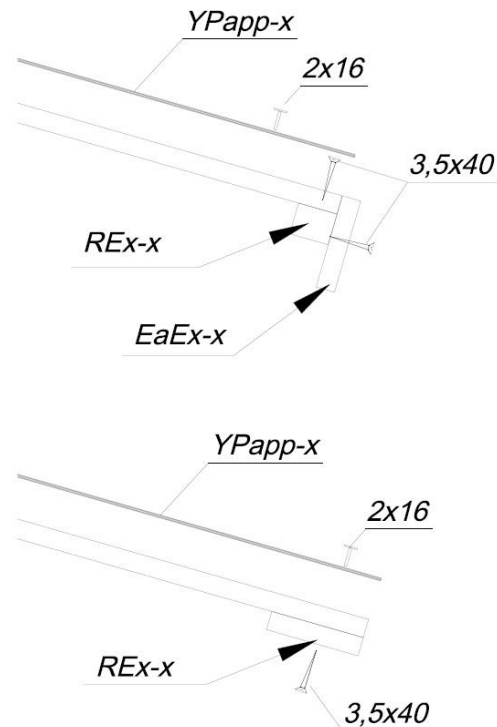
Monteringsanvisning - Norsk

Når du har montert takbordene, må takpappen og taklektene festes.

Tabellen over komponenter viser om takdekningsmaterialer og lekter er vedlagt med denne hustypen!

Det første du må gjøre, er å skru takets forsterkningskanter og lektekanter under endene på takbordene. Deretter monterer du takets dekningsmateriale.

Montering av taklekter:



Takdekke (NB! Dette er ikke vedlagt for alle husmodeller!)

Skjær takpappen i passende lengder i samsvar med takets lengde og fest dem parallelt til den nedre kanten av taket. Beveg deg oppover mot takmønnet og plasser papplengdene i retning fra bakveggen mot fremveggen. Pappen bør stikke litt ut fra kanten omlag 2-4 cm. Fest takpappen til takbordene med vedlagte pappstifter med mellomrom på omlag 15 cm. Pass på at papplengdene overlapper hverandre med minst 10 cm.

Gulvet

Gulvet monteres først når resten av huset er ferdig, så unngår du at gulvet blir skitnet til under arbeidet.

Plasser gulvbordene på basisrammen, bank dem lett mot hverandre og fest dem godt fast med spiker til bærebjeldene. Skjær de siste gulvbordene til i riktig bredde om nødvendig.

Nå gjenstår det bare å montere gulvlistene for å dekke mellomrommet mellom gulvbordene og veggene. Skjær gulvlistene til i riktig lengde om nødvendig.

OBS: Gulvbordene kan utvide seg eller trekke seg sammen i forhold til klimaet der huset er blitt montert. Dersom gulvbordene er svært tørre og klimaet er fuktig, vil de lett absorbere fuktighet. I så fall bør ikke gulvbordene festes for tett, ellers kan gulvet bule seg. La det være litt rom (1-2 mm) mellom gulvbordene for utvidelse. Men hvis klimaet er svært tørt og varmt, kan du montere bordene tett sammen, for da vil de tørke ytterligere, og det kan oppstå mellomrom mellom dem.

Monteringsanvisning - Norsk

Stormavstivere (NB! Ikke vedlagt for alle husmodeller!)

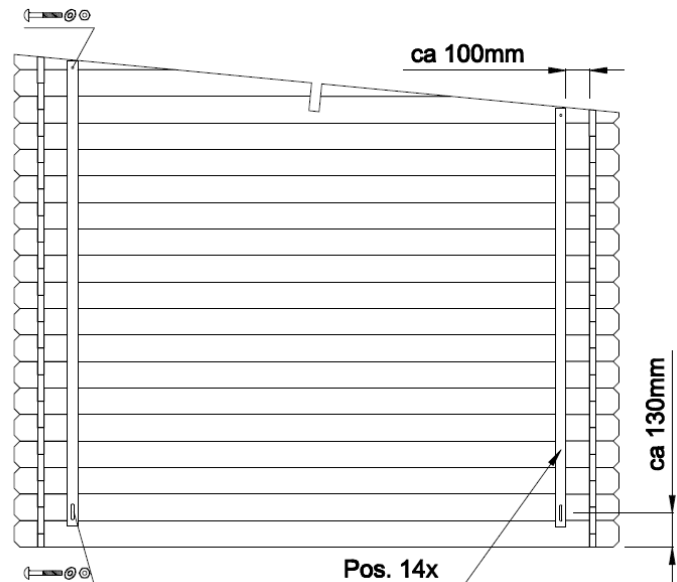
Fest stormavstiverne (hvis inkludert i huspakken) til innsiden av fremveggen (2 enheter) og bakveggen (2 enheter) med de vedlagte boltene. Det er viktig å bore huller i veggømmeret på forhånd. Overhold avstandene som er angitt i tegningen slik at det ikke oppstår problemer dersom treet utvider seg eller trekker seg sammen.

ANMERKNING: Pass på at oppe blir stormavstiveren festet til bjelken i takstolen og nede blir den festet midt på den første veggstokken med hel lengde. Kutt lektene i den øvre enden etter behov.

Ikke stram skruene for mye, slik at treet kan utvide seg eller trekke seg sammen.

Når huset har satt seg, justeres festene slik at veggømmeret kan sette seg.

Montering av stormavstivere:



Generelle anmerkninger:

Problem: *Mellomrom mellom veggømmeret*

Årsak: Det er festet andre detaljer til huset, slik at treverket ikke har plass til å utvide seg/ trekke seg sammen.

Løsninger: Dersom dør/vindu er festet til veggømmeret med skruer/spikre, fjern disse skruene/spikrene;

Hvis stormavstiveren er skrudd for fast, løsne festene litt; Hvis det er montert takrenner på veggen, løsne festene;

Problem: *Dørene og vinduene trutner og lar seg ikke åpne.*

Årsak: Huset/fundamentet har satt seg.

Løsning: Kontroller at huset er i vater. Vatre bærebjolkene og veggene.

Årsak: Dørene og vinduene har utvidet seg på grunn av fuktighet.

Løsning: Juster hengslene på dørene og vinduene; ved behov, høvle dørene og vinduene smalere.



Vi ønsker deg lykke til med monteringen av hagehuset og håper du får glede av huset i mange år fremover!

1 Allmän information



Bäste kund,

Vi är glada för att du valt att skaffa ett trädgårdshus från oss!

Vänligen läs monteringsanvisningarna noggrant innan du påbörjar monteringen av huset! Du undviker därigenom problem och spiller ingen tid.

Rekommendationer:

- Förvara husets förpackning, tills det är färdigmonterat, på en torr plats, men inte i direkt kontakt med marken, skyddad från väder och vind (fukt, solljus, etc.). Förvara inte husets förpackning i ett uppvärmt utrymme!
- När du väljer plats för trädgårdshuset, försäkra dig om att huset inte utsätts för extrema väderförhållanden (områden med kraftigt snöfall eller vindar); i så fall bör du förankra huset (till exempel med jordankare) i marken.



Garanti

Ditt hus är tillverkat av gran av hög kvalitet och levereras i naturlig (obehandlad) form. Om du, trots vår noggranna besiktning, skulle ha några reklamationer, vänligen skicka den ifyllda kontrollblanketten och inköpsbeviset till vår återförsäljare.

SE UPP! Vänligen se till att behålla dokumentationen tillsammans med husets förpackning! Kontrollblanketten innehåller husets kontrollnummer. Vi kan enbart granska reklamationer om du skickar med husets kontrollnummer till återförsäljaren!

Garantin omfattar inte:

- Egenheter för trä som ett naturmaterial.
- Redan målade trädetaljer (behandlade med träskyddsmedel)
- Trädetaljer som innehåller hela kvistar som inte äventyrar husets stabilitet
- Variationer i färgton orsakade av olikheter i träets struktur som inte påverkar träets livslängd
- Trädetaljer som innehåller mindre sprickor/spalter (orsakade av torkning) som inte är genomgående och inte påverkar husets konstruktion
- Skeva trädetaljer som ändå går att montera
- Tak och golvbrädor som på sina dolda ytor kan ha vissa ohyvlade områden, färgskiftningar och -mattning
- Reklamationer på grund av oskicklig montering av huset eller sättningssskador på grund av en felaktigt uppförd grund
- Reklamationer orsakade av egna ändringar av huset, så som deformation av trädetaljer och dörrar/fönster på grund av ett oskickligt tillvägagångssätt vid montering av trädetaljer; fastsättning av stormbeslag för styvt, dörrkarmar som skruvas i väggreglar, mm.

Reklamationer som omfattas av garantin tillgodoses i den omfattningen att det bristfälliga/felaktiga materialet ersätts. Alla andra anspråk lämnas utan åtgärd!



Målning och underhåll av trädgårdshus

Trä är ett naturmaterial som växer och anpassar sig efter väderförhållanden. Större och mindre sprickor, förändringar och skiftningar i färgton, samt även förändringar i träets struktur är inte felaktigheter, utan ett resultat av träets tillväxt och egenheter för trä som ett naturmaterial.

Obehandlat trä (undantaget grundsyllar) blir gråaktiga efter att ha lämnats orörda ett tag, de kan bli blå och börja mögla. För att skydda trädetaljer på ditt trädgårdshus måste du omedelbart behandla dem med träskyddsmedel.

Vi rekommenderar att du i förväg täcker golvbrädorna med ett färglöst träimpregneringsmedel, i synnerhet brädornas undersidor vilka du senare inte kommer åt när huset väl är monterat. Endast detta förebygger fuktinträning.

Vi rekommenderar definitivt att du även behandlar dörrar och fönster med ett bra impregneringsmedel och gör det både på in- och utsidan! Annars kan dörrar och fönster bli skeva.

Efter att huset är färdigmonterat, rekommenderar vi att slutbehandla det med en väderbeständig färg som skyddar träet från fukt och UV-strålning.

Använd redskap och färg av bra kvalitet vid målningen, följ användaranvisningen för färgen samt tillverkarens säkerhets- och användarinstruktioner. Måla aldrig en yta i starkt solljus eller vid regnväder. Rådgör med en specialist om färger som lämpar sig för obehandlat barrträ och följ färgtillverkarens anvisningar.

Husets livslängd förlängs avsevärt om det målas på rätt sätt. Vi rekommenderar att du besiktigar huset noggrant var sjätte månad.

2 Monteringsförberedelser

Verktyg och förberedelse av komponenter

För att montera trädgårdshuset behöver du följande verktyg:



monteringshjälp



stege



hammare



vattenpass



skruvmejsel



såg



kniv



måttband



tång



borr

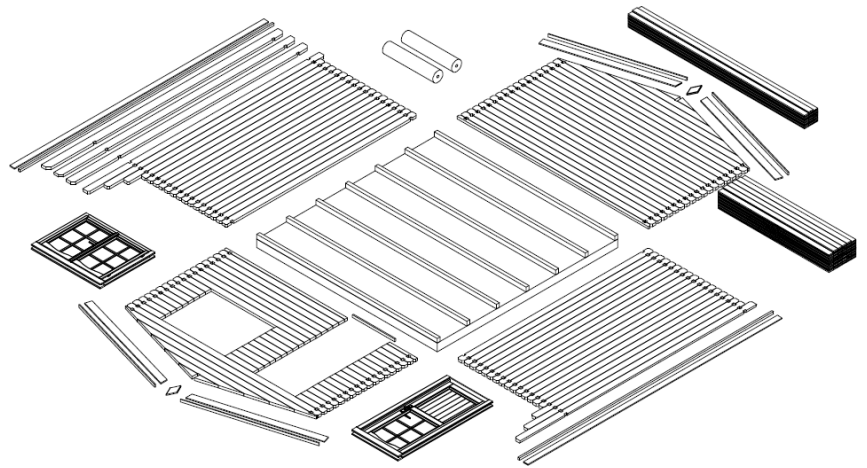
RÅD: För att undvika att få stickor, rekommenderar vi att du använder arbetshandskar under monteringen.

Monteringsmanual – Svenska

Förberedelse av komponenter:

Sortera komponenterna utifrån väggritningen (se Tekniska specifikationer) och placera dem på de fyra sidorna av huset i monteringsordning.

OBS: Placera aldrig komponenterna direkt på gräs eller lerigt underlag eftersom det är svårt eller till och med omöjligt att rengöra dem senare!



Grund

En bra grund är den viktigaste aspekten för att säkerställa att ditt hus blir hållbart och säkert. För en problemfri montering av huset, ett stabilt resultat och inpassningen av dörrar krävs en helt plan, rektangulär och bärande grund. Med en bra grund kommer ditt hus att klara många fler år.

Förbered grunden så att dess övre kant sticker upp minst 5 cm från marken. Säkerställ samtidigt att det finns tillräckliga luftspalter under huset för ventilation.

Vi rekommenderar följande grundalternativ:

- Balkgrund eller plintgrund
- Grund av betongplattor eller trottoarplattor
- Gjuten betongbädd

Förbered grunden så att grundskarvarna stöttas upp på alla sidor med ett avstånd som inte överstiger 50-60 cm.

Rådfråga en expert på området eller anlita specialister för att förbereda grunden.

3 Montering av trädgårdshus

OBS:

- I huspaketet medföljer även 2-3 slagklossar (väggprofilen är cirka 20-30 cm lång).

INGA av de ovan listade delarna nämns i förteckningen.

- Ritningarna har informationsmärkningar i form av tresiffriga positionsnummer. Den exakta positionen för de delar vars tredje tecken är "x" finns angiven i förteckningen.

Underrede (Grundbjälkar)

Husets underrede måste vara helt plant och jämt för att säkerställa att monteringen fortlöper utan problem.

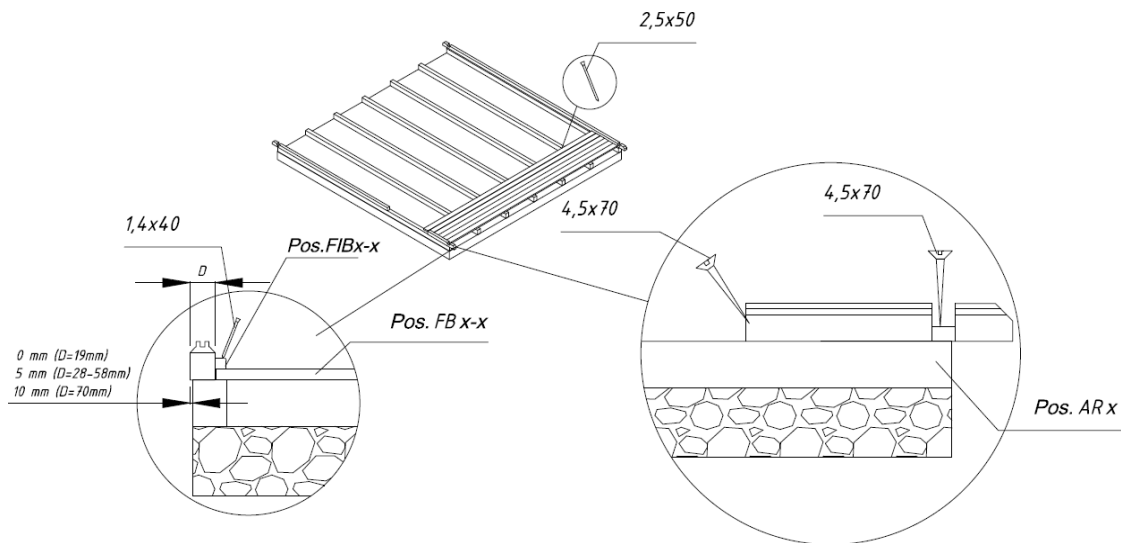
OBS: olika hus kan ha olika grundplaceringar – se bifogad underredesritning (under Tekniska specifikationer)!

Placera de impregnerade grundbjälkarna på den förberedda grunden enligt ritningen och med samma avstånd. Säkerställ att bjälkarna är jämna och rektangulära innan de skruvas ihop.

TIPS: Det rekommenderas att man placerar ett vattentätt skikt mellan grundbjälkarna och grunden så att huset skyddas mot fukt och röta.

TIPS: Det rekommenderas att man fäster grundbjälkarna i grunden för att säkerställa att huset står emot vind och storm (med till exempel metallvinklar eller förankringar). Något sådant material medföljer inte i det levererade kitet!

Montering av grundbjälkar:



Väggar

Vid montering av väggarna är det viktigt att tänka på att:

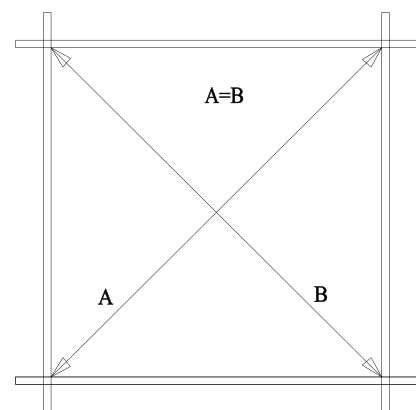
- Timmerstockarna monteras alltid med noten uppåt!
- Använd om nödvändigt slagklossen och en hammare! Slå aldrig direkt på noten med hammaren!

Montera väggarna enligt bifogade väggritningar (se Tekniska specifikationer).

Börja med att placera fram- och bakväggens halvtimmerstockar på rätt plats och fäst dem med skruvar i grundbjälkarna. Montera därefter sidoväggarnas timmerstockar. Säkerställ att det första lagret av timmerstockar sticker ut en bit över grundbjälkarna: timmerstockarna måste sticka ut ungefär 3-5 mm över bjälkarna. Du skyddar på så sätt huset från fukt eftersom regnvattnet kan rinna direkt ner på marken.

OBS: Efter det första lagret av timmerstockar, mät de diagonala längderna och montera om nödvändigt om timmerstockarna. Om inte de diagonala längderna är helt identiska är inte underredet rektangulärt och du kommer inte att kunna fästa timmerstockarna likadant.

Det första lagret av timmerstockar:



Monteringsmanual – Svenska

Fortsätt monteringen av väggarna genom att med kraft tvinga samman väggarnas timmerstockar. Använd om nödvändigt slagklossen och en hammare. Kom samtidigt ihåg att påbörja monteringen av dörren och fönstren. Du bör absolut påbörja dörrmonteringen efter 5-6 lager av timmerstockar.

Dörr och fönster

Dörrkarm:

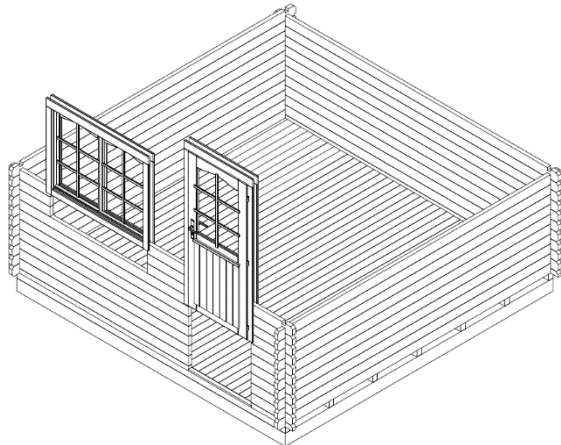
- Om det är en dubbeldörr levereras dörrkarmen i separata delar på grund av transportkrav och du behöver börja med att montera den.
- För att göra detta, sätt samman karmens fyra delar och skruva ihop dem.
- Säkerställ att den del av karmen som har en djupare skåra monteras uppåt. De laterala sidokarmarna har gångjärn och är spegelvända.
- Det rekommenderas att dörrbladen monteras senare.
- Om det är en enkeldörr levereras dörrkarmen och dörrbladet färdigmonterade.

Montering av dörrkarm (behöver endast göras för dubbeldörr!):



Montering av dörr:

Dörrkarmen är placerad i den formade öppningen och trycks med kraft in i den nedre timmerstocken. Om det är en dubbeldörr, placera ut dörrbladen och gångjärnen nu. För att öppna och stänga dörren, sätt i det separat packade låset och handtaget.



Montering av fönster:

Fortsätt med monteringen av väggarnas timmerstockar till du når fönsterhöjd. Väggritningarna (se Tekniska specifikationer) visar hur många timmerstockar som ska vara under fönstret. Montera fönstret på samma sätt som dörren. Precis som med dörren, tryck med kraft in fönsterkarmen med fönstret i fönsteröppningen på den nedre timmerstocken. Säkerställ att fönstret inte är bakvänt (upp och ned).

TIPS: Säkerställ att fönster och dörrar öppnas i rätt riktning. Dörrarna öppnas alltid inifrån och **utåt**. De roterande/lutande fönstren öppnas **inåt**. De roterande och de upphängda fönstren öppnas **utåt** (dörrhandtagen sitter på insidan).

OBS: Dörrarna och fönstren behöver inte fästas i väggtimret! Om du önskar göra detta, räcker det med att fästa dem med ett par skruvar i den nedre delen av karmen eftersom väggtimret kommer att börja sätta sig när det torkar.

Du kan finjustera dörrarna och fönstren först 2-3 veckor efter husmonteringen, när huset har anpassat sig till väderförhållandena och timmerstickarna har satt sig.

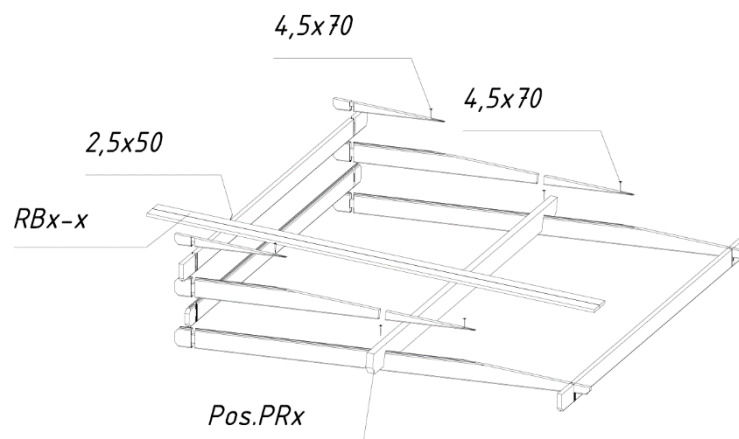
Vinkelspets

I de flesta fall levereras vinkelspetsen i en del (obs: i vissa husalternativ kan vinkelspetsen bestå av flera delar! I sådana fall måste dessa delar skruvas ihop innan de andra stegen tas). Efter att väggtimret installerats, placera vinkelspetsen på fram- och bakväggarna och fäst dem med skruvar.

Vinkelspetsarna har indrag för takbjälkarna. Takbjälkarna har också motsvarande indrag vilket säkerställer att taket placeras stadigt och på rätt plats.

Placera nu takbjälkarna i Montering av takbjälkar: motsvarande indrag i vinkelspetsarna.

Säkerställ att väggens övre timmerstock, vinkelspetsarna och takbjälkarna är jämna. När takbjälkarna är monterade, skruva fast dem i vinkelspetsen ovanifrån.



OBS: Om väggarnas timmerstockar inte är rätt sammantryckta ovanpå varandra utan glipor är det inte säkert att väggens övre timmerstock är i samma nivå som vinkelspetsarna. I sådana fall ska du knacka ner väggtimret så mycket som det behövs eller hyvla ner vinkelspetsen eller sidoväggens timmerstock något.

Tak

Säkerställ att huset är helt jämt innan takbrädorna monteras. Använd vattenpasset för att kontrollera alla väggar.

OBS: Använd en stabil stege för att placera taket. Kliv inte på taket eftersom strukturen endast håller för en jämn belastning (snö, vind etc.) och inte en belastningspunkt!

Påbörja monteringen av takbrädorna **från takets främre kant**. Knacka lätt på brädorna och fäst dem uppifrån och underifrån med spikar i takbjälkarna och väggens övre timmerstock.

OBS: Pressa inte samman takbrädorna alltför tätt så undviker du fuktskapande utbuktningar! Lämna ett avstånd på ungefär 1 mm mellan brädorna för att möjliggöra svällning.

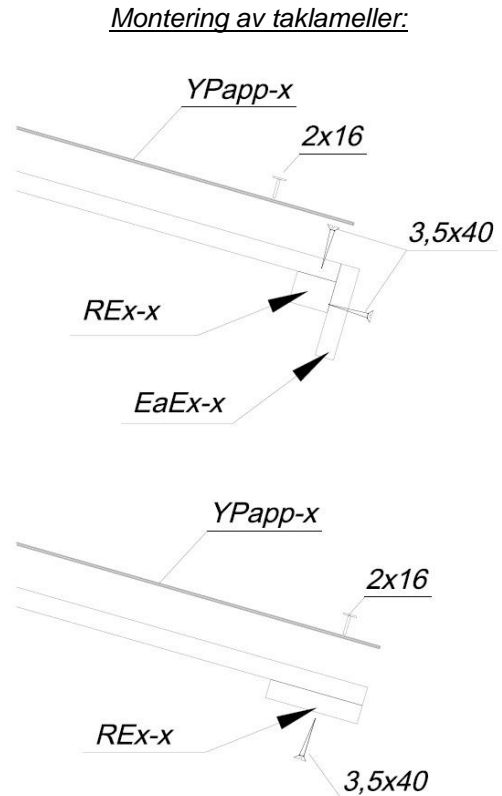
- Var under hela monteringsmomentet för takbrädorna noga med att deras översta takbjälkar stämmer överens och att brädornas takfotsidor sticket ut lika mycket. Kontrollera detta med hjälp av ett rep eller den laterala ribban vid takfoten som du kan montera i kontrollsyfte.
- Takbrädorna måste vara jämna i förhållande till takbjälkarnas ändar på fram- och baksida. Om så behövs kan de båda sista takbrädorna sågas så smala att de är jämna i förhållande till takbjälkarnas ändar.

Monteringsmanual – Svenska

Efter att takbrädorna monterats måste takfilten och taklamellerna fästas.

I innehållsförteckningen syns om täckmaterial och lameller för taket medföljer i detta husalternativ!

Allra först skruvar du fast takets kantförstärkningar och takfotens kanter under takbrädornas ändar. Montera därefter täckmaterialet för taket.



Täckmaterial för taket (OBS! För vissa husalternativ är detta inte inkluderat i kitet!)

Skär takfilten i lämpliga delar så att de passar takets längd och påbörja monteringen av dessa parallellt med takets nedre kant och fortsatt i riktning mot toppen genom att placera filtrensorna i riktning från den bakre mot den främre väggen. Filten ska sticka ut cirka 2-4 cm från kanten. Fäst takfilten i takbrädorna med de bifogade filtspikarna med ett avstånd på ungefär 15 cm. Säkerställ att filtrensorna överlappar varandra med minst 10 cm.

Golv

Golvbrädorna får monteras först när huset är helt färdigbyggt, detta för att undvika onödig nedsmutsning av golvet.

Placera golvbrädorna på underredet, knacka dem lätt mot varandra och spika dem därefter med kraft fast dem i grundbjälkarna. Såga om så behövs av den sista golvbrädan till en passande bredd.

Det sista steget är att montera golvlisterna så att avståndet mellan golvbrädorna och väggarna täcks. Såga om så behövs av golvlisterna till en passande bredd.

OBS: Beroende på klimatet på den plats där huset placeras kan golvbrädorna antingen svälla eller krympa. Om golvbrädorna är väldigt torra och klimatet är fuktigt, kommer de lätt att absorbera fukt. I sådana fall ska golvbrädorna inte fästas alltför, detta för att undvika utbuktningar. Lämna lite avstånd (1-2 mm) mellan golvbrädorna för att möjliggöra svällning. Men om klimatet är varmt och torrt kan du ontera brädorna tätt eftersom de kommer att torka mer och det då kan uppstå ett avstånd mellan dem.

Stormbeslag (OBS! För vissa husalternativ är detta inte inkluderat i kitet!)

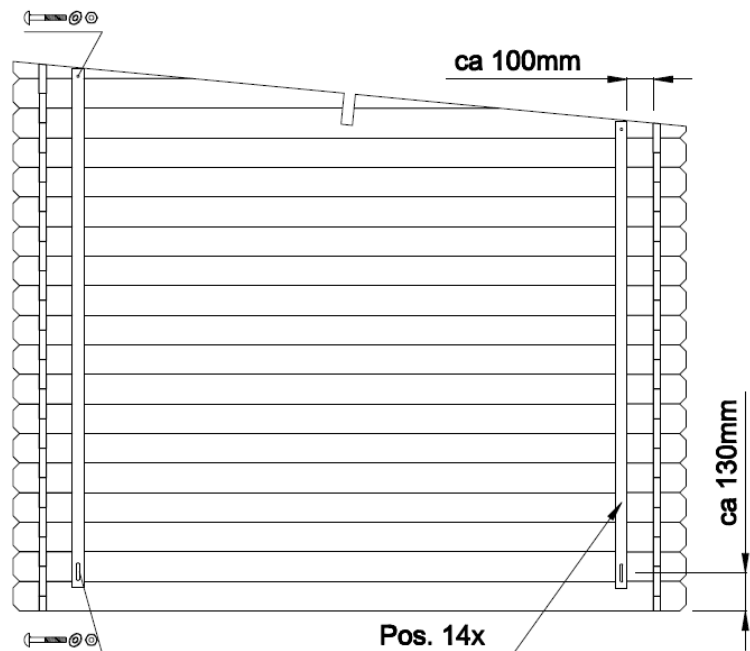
Fäst stormbeslagen (om de är inkluderade i det levererade kitet) på innersidorna av de främre (2 enheter) och de bakre (2 enheter) väggarna med de medföljande bultarna. Det är viktigt att timmerstockarna borras igenom i förväg. Se till att hålla det i ritningen angivna avståndet så att inga problem uppstår på grund av att träet sväller eller krymper.

TIPS: Säkerställ att stormbeslagen är fästa ovanifrån i timmerstocken vid vinkelspetsen och underifrån i mitten av väggens första hellånga timmerstock. Korta vid behov lamellernas övre ändar.

Skruva inte åt skruvarna så hårt, så att träet tillåts svälla eller krympa ytterligare.

När huset har satt sig ska du justera fästena så att väggtimret kan sätta sig.

Montering av stormbeslag:



Allmänna råd:

Problem: *Det uppstår glipor i väggtimret*

Orsak: Ytterligare detaljer som inte låter träet svälla/krympa har fästs i huset.

Lösningar: Om dörren/fönstret är fäst i väggtimret med skruvar/spikar, avlägsna dessa skruvar/spikar;
Om stormbeslaget är för hårt fastskruvat, lossa fästet något;
Om stuprör är monterade på väggen, lossa deras fästen något;

Problem: *Dörrarna och fönstren fastnar.*

Orsak: Huset/grunden har satt sig.

Lösning: Kontrollera om huset är jämnt. Jämna grundbjälkarna och väggarna.

Orsak: Dörrarna och fönstren har svällt på grund av fukt.

Lösning: Justera gångjärnen på dörrarna och fönstren; hyvla vid behov dörren eller fönstret till en smalare form.



Vi önskar dig lycka till med monteringen av trädgårdshuset och mycket glädje med detta hus i många år framöver!

1 Yleistä tietoa



Hyvä asiakas,

Olemme iloisia, että valintasi kohdistui tuotteeseemme!

Ole hyvä ja lue kokoamisohje huolellisesti ennen pystytyksen aloittamista! Tämä auttaa välttämään ongelmia ja säästää aikaa.

Suosituksia:

- Säilytä pystytystä odottava mökkipaketti kuivassa paikassa, joka ei ole suorassa kosketuksessa maan kanssa, ja säältä suojassa (kosteus, aurinko jne.). Älä pidä pakettia lämmitetyssä tilassa!
- Valitessasi mökille paikkaa varmista, ettei se tule joutumaan alttiiksi äärimmäisille sääoloille (voimakkaalle lumentulolle tai koville tuulille); muuten se tulee kiinnittää (esim. ankkureilla) maaperään.



Takuu

Mökkisi on valmistettu korkealuokkaisesta kuusesta ja toimitetaan luonnollisessa (käsittelemättömässä) muodossa. Mikäli perusteellisesta tarkastuksestamme huolimatta sinulla on tuotteesta huomautettavaa, ole hyvä ja toimita täytetty valvontailmoitus ja ostolasku tuotteen myyjälle.

HUOM! Muista säilyttää mökkipaketin mukana tulevat asiakirjat! Valvontailmoituksessa on tuotteen valvontanumero. Mahdollisten valitusten käsittely edellyttää, että mökin valvontanumero ilmoitetaan myyjälle!

Takuu ei kata seuraavia:

- Puun erikoispiirteet luonnonmateriaalina
- Puuosat, jotka on jo maalattu (käsitelty kyllästysaineella)
- Puuosien oksakohdat silloin, kun ne eivät vaaranna mökin vakautta
- Puun rakenteesta johtuvat sävyerot, jotka eivät vaikuta puun kestävyteen
- Puuosissa olevat (kuivumisen aiheuttamat) pienet halkeamat/raot, jotka eivät mene puun läpi, eivätkä vaikuta talon rakenteeseen
- Taipuneet puuosat, jotka voidaan kaikesta huolimatta asentaa
- Katto- ja lattialaudat, joiden piiloon jäävällä puolella saattaa olla höyläämättömiä kohtia, värieroja tai vajeasärmä
- Valitukset, jotka johtuvat mökin virheellisestä pystytyksestä tai puutteellisen perustuksen aiheuttamasta vajoamisesta
- Valitukset, jotka johtuvat mökkiin oma-aloitteisesti tehdyistä muutoksista, kuten taitamattomasta käsittelystä johtuva puuosien ja ovien/ikkunoiden vääntyminen; jäykisteiden liian tiukka asentaminen, ovenkarmien ruuvaaminen seinäpuihin yms.

Takuun piiriin kuuluvat huomautukset hoidetaan vaihtamalla viallinen/väärä materiaali uuteen. Muita mahdollisia vaatimuksia ei huomioida!



Mökin maalaaminen ja huolto

Puu on luonnonmateriaali, joka laajenee ja elää sääolojen mukaan. Pienet ja suuret raot, värisävyerot ja -muutokset sekä puun rakenteen vaihtelu eivät ole virheitä, vaan ne johtuvat puun laajenemisesta ja luonnonmateriaalin ominaisuuksista.

Käsittelemätön puu (lattiapalkkeja lukuun ottamatta) muuttuu ajan myötä harmahtavaksi, ja saattaa sinertyä ja homehtua. Tämän vuoksi mökin puuosat tulee välittömästi suojata kyllästysaineella.

Lattialaudat kannattaa käsitellä etukäteen värittömällä puunkyllästysaineella, etenkin lautojen alapinnat, joihin ei pääse käsiksi enää mökin pystytyksen jälkeen. Se on ainoa keino estää kosteutta imeytymästä puuhun.

Myös ovet ja ikkunat tulee käsitellä kyllästysaineella niin sisä- kuin ulkopuolelta! Muuten on vaara, että ovet ja ikkunat vääntyvät.

Mökin pystytyksen jälkeen se kannattaa käsitellä kauttaaltaan sään vaikutuksilta suojaavalla maalilla, joka suojaa puuta kosteudelta ja UV-säteilyltä.

Maalattaessa käytä laadukkaita työvälineitä ja maaleja, noudata maalausohjetta sekä valmistajan turvallisuus- ja käyttöohjeita. Älä koskaan maalaa suorassa auringonpaisteessa tai sateella. Kysy asiantuntijalta käsittelemättömälle havupuulle sopivista maaleista ja noudata maalinvalmistajan ohjeita.

Asianmukainen maalaus pidentää rakennuksen käyttöikää huomattavasti. Suosittelemme, että tarkastat mökin huolellisesti joka kuuden kuukauden välein.

2 Pystytyksen valmistelu

Työkalut ja osien valmistelu

Mökin pystyttämisessä tarvitaan seuraavia työkaluja:



apulainen



tikkaat



vasara



vatupassi



ruuvimeisseli



saha



veitsi



rullamitta



pihdit



pora

NEUVO: Tikkujen välttämiseksi käytä asianmukaisia suojakäsineitä kokoamisen aikana.

Osien valmistelu:

Lajittele osat seinäkaavioiden mukaisesti (katso tekniset erittelyt) ja asettele ne mökin neljälle sivulle asennusjärjestyksessä.

HUOMIO: Älä laita osia suoraan ruohon tai kuraisen pinnan päälle, koska niiden puhdistaminen jälkikäteen voi olla erittäin vaikeaa tai jopa mahdotonta!



Perustus

Hyvä perustus on tärkein seikka, joka takaa mökin kestävyys ja turvallisuuden. Ainoastaan vaakasuora, suorakulmainen ja kantava perustus varmistaa mökin ongelmattoman asennuksen, sen vakauden ja erityisesti sen, että ovet sopivat paikoilleen. Kun perustus on hyvä, pysyy mökkisi pystyssä monta tulevaa vuotta.

Valmistele perustus niin, että sen yläreuna ulottuu maan pinnasta noin 5 cm korkeudelle. Varmista samalla, että mökin alle jää riittävästi aukkoja ilmanvaihtoa varten.

Suosittellemme seuraavia perustusvaihtoehtoja:

- jatkuva tai pilariantura
- antura betoni- tai käytävälaatoista
- valettu betonialusta

Tee perustus niin, että niskapalkit tuetaan kummastakin päästä korkeintaan 50–60 cm välein.

Kysy neuvoja alan asiantuntijalta tai teetä perustus asiantuntijoilla.

3 Puutarhamajan kokoaminen

HUOMIO:

- Majapaketissa on myös 2–3 merkittyä lyöntikappaletta (noin 20–30 cm pitkiä seinäprofiilipaloja).

Yllä lueteltuja osia EI MAINITA erittelylistassa.

- Piirustuksissa osat on merkitty kolminumeroisilla positionumeroilla. Niiden osien, joissa kolmantena numerona on x, tarkka sijainti löytyy erittelylistasta.

Perusrunko (Niskapalkit)

Majan perusrungon tulee olla täysin tasainen ja vaakasuora, jotta asennus sujuisi ilman ongelmia.

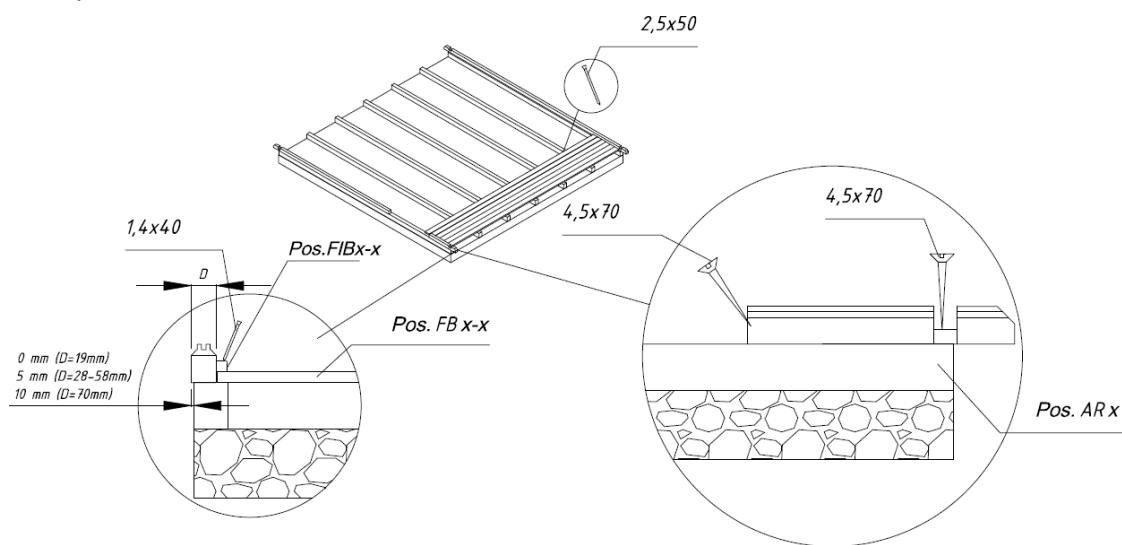
HUOMIO: eri mökeillä voi olla erilaiset perustussijoittelut – katso liitteenä olevasta perusrunkopiirustuksesta (teknisissä erittelyissä)!

Aseta kyllästetyt niskapalkit valmistetulle perustukselle tasaisin välein piirustuksen mukaisesti. Varmista, että palkit ovat vaakasuorassa ja suorassa kulmassa ennen kuin liität ne ruuveilla yhteen.

OHJE: On suositeltavaa asettaa niskapalkkien ja perustuksen väliin kosteuseristys, joka suojaa rakennusta kosteudelta ja lahoamiselta.

OHJE: Suojaksi tuulta ja myrskyä vastaan on suositeltavaa kiinnittää niskapalkit perustukseen (tähän voi käyttää esimerkiksi metallisia kulmakappaleita, ankkuripultteja yms.). Toimitetussa paketissa ei ole mukana asianomaisia tarvikkeita!

Niskapalkkien asennus:



Seinät

Seiniä asennettaessa on tärkeää muistaa seuraavat seikat:

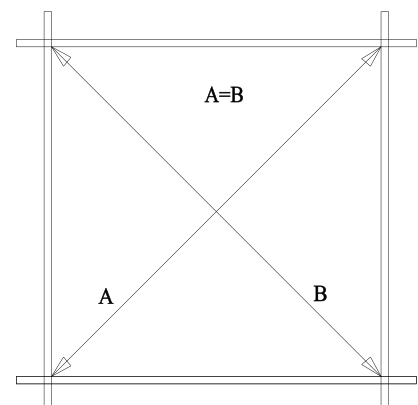
- Hirret asennetaan aina niiden urospontti ylöspäin!
- Käytä tarvittaessa lyöntikappaletta ja vasaraa! Älä koskaan lyö vasaralla suoraan urosponttiin!

Pystytä seinät liitteenä olevien seinäkaavioiden mukaisesti (katso tekniset erittelyt).

Aseta aivan ensimmäiseksi etu- ja takaseinän puolihirret oikeisiin paikkoihin ja kiinnitä ne ruuveilla niskapalkkeihin. Asenna sen jälkeen sivuseinien hirret. Varmista, että ensimmäinen hirsikerta ulottuu hieman niskapalkkien yli: hirsien tulee ulottua noin 3–5 mm niskapalkkien yli. Tämä suojaa rakennusta kosteudelta, kun sadevesi pääsee vapaasti valumaan maahan.

HUOMIO: Mittaa ensimmäisen hirsikerran tultua asennetuksi ristimitat ja asenna tarvittaessa hirret uudelleen. Perusrunko on suorakulmainen ainoastaan, jos ristimittapituudet ovat tarkasti yhtä suuret, jolloin hirret voi kiinnittää toisiinsa.

Ensimmäinen hirsikerta:



Asennusopas – Suomi

Jatka seinien pystyttämistä painamalla hirret voimakkaasti kiinni toisiinsa. Käytä tarvittaessa lyöntikappaletta ja vasaraa. Muista samalla aloittaa oven ja ikkunoiden asentaminen. Oven asentaminen on ehdottomasti aloitettava viidennen–kuudennen hirsikerran jälkeen.

Ovi ja ikkuna

Ovenkarmi:

- Jos kysymyksessä ovat pariovet, ovenkarmi toimitetaan erillisinä osina kuljetuksen vuoksi ja aluksi karmi on koottava.
- Aseta karmin neljä osaa yhteen ja kiinnitä ne ruuveilla toisiinsa.
- Varmista, että asennat yläpäähän karmin sen osan, jossa on syvämpi ura. Sivukarmeissa on saranat, ja ne ovat toistensa peilikuvat.
- Ovenpuoliskot suositellaan asennettavan myöhemmin.
- Jos kysymyksessä on yksinkertainen ovi, karmi ja ovi toimitetaan valmiiksi koottuina.

Ovenkarmin asennus (tarpeen ainoastaan pariovilla):



Oven asennus:

Ovenkarmi asetetaan muodostuneeseen aukkoon ja painetaan voimakkaasti alahirteen. Jos ovi on pariovi, aseta ovenpuoliskot nyt saranoille. Asenna erikseen pakatut lukko ja kahva paikoilleen, jotta ovi voidaan avata ja sulkea.



Ikkunan asennus:

Jatka seinähirsien asennusta, kunnes tulet ikkunan korkeudelle. Seinäkaaviot (katso tekniset erittelyt) osoittavat, montako hirttä tulee ikkunan alapuolelle. Asenna ikkuna samalla tavalla kuin ovi. Työnnä ikkunankarmi ikkuna-aukkoon alahirren päälle voimaa käyttäen aivan kuten ovikin. Varmista, ettei ikkuna tule asennettua takaperin (ylösalaisin).

OHJE: Varmista ehdottomasti, että ikkunat ja ovet aukeavat asianmukaiseen suuntaan. Ovet avautuvat aina **ulospäin**. Kääntökippi-ikkunat avautuvat **sisäänpäin**. Kiertoikkunat ja yläsaranoidut ikkunat avautuvat **ulospäin** (ikkunan kahvat ovat sisäpuolella).

HUOMIO: Ikkunoita ja ovia ei tarvitse kiinnittää seinähirsiin! Jos sen haluaa tehdä, riittää, kun ne kiinnitetään parilla ruuvilla karmin alaosasta, koska kuivuessaan hirret laskeutuvat.

Ovien ja ikkunoiden lopulliset säädöt voi tehdä vasta 2–3 viikkoa majan pystytyksen jälkeen, kun rakennus on asettunut, ja sen hirret ovat painuneet.

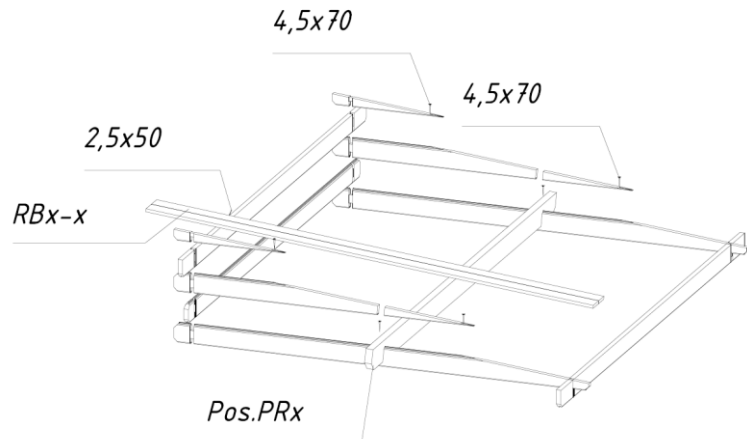
Päätykolmio

Useimmissa tapauksissa päätykolmio toimitetaan yhtenä kappaleena (huomio: joissakin talovaihtoehdoissa päätykolmio koostuu useista osista! Tällöin osat on kiinnitettävä ruuveilla toisiinsa ennen muita toimenpiteitä). Kun viimeiset seinähirret on asennettu, aseta päätykolmiot etu- ja takaseinille ja kiinnitä ne ruuveilla.

Päätykolmioissa on lovet katto-orsia varten. Kattoniskoissa on myös vastaavat lovet, jotka varmistavat, että katto asetetaan tukevasti ja oikeaan paikkaan

Aseta nyt kattoniskat Kattoniskojen asennus: päätykolmioiden vastaaviin loviin.

Varmista, että ylin seinähirsi, päätykolmiot ja kattoniskat ovat suorassa. Asetettuasi kattoniskat paikoilleen kiinnitä ne ruuveilla päätykolmioihin yläpuolelta.



HUOMIO: Ellei seinähirsiiä ole painettu tiiviisti kiinni toisiinsa, ylin seinähirsi voi olla eri tasolla kuin päätykolmiot. Siinä tapauksessa on naputeltava seinähirsiiä alaspäin tarpeen mukaan tai höylättävä päätykolmiota tai seinähirttä hieman ohuemmaksi.

Katto

Varmista ennen kattolautojen asennusta, että maha on täysin suorassa. Tarkista kaikki seinät vatupassilla.

HUOMIO: Käytä kattoa asentaessasi tukevia tikkaita. Älä astu katolle, koska rakenne soveltuu kantamaan ainoastaan tasaisen kuorman (lumi, tuuli yms.) eikä pistekuormaa!

Aloita kattolautojen asennus **katon etureunasta**. Naputtele lautoja kevyesti ja kiinnitä ne nauloilla ylä- ja alapäästä kattoniskoisiin ja ylimpään seinähirtehen.

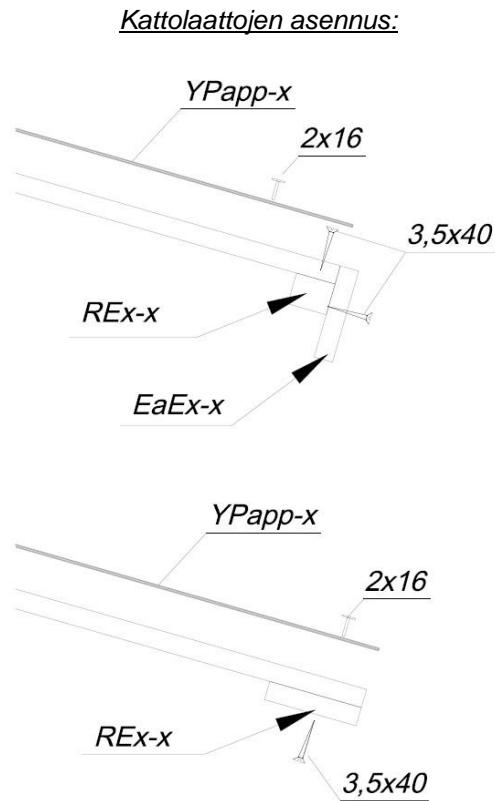
HUOMIO: Älä paina lautoja liian tiiviisti kiinni toisiinsa, jotta niissä vältyttäisiin kosteuden aiheuttamalta pullistumiselta. Jätä lautojen väliin noin 1 mm turpoamisvaraa.

- Varmista kattolautojen koko asennusprosessin ajan, että laudat osuvat harjalla kohdakkain ja että niiden räystäspäät tulevat yhtä pitkälle yli. Tarkista se joko narulla tai räystäsruteella, jonka voi asentaa tarkistusta varten.
- Kattolautojen tulee olla kattoniskojen päiden tasalla etu- ja takaseinällä. Sahaa tarvittaessa viimeiset kattolaudat niin kapeiksi, että ne tulevat niskojen päiden tasalle.

Kun kattolaudat on asennettu, kiinnitetään kattohuopa ja kattolaatat.

Osataulukosta selviää, kuuluvatko katemateriaali ja laatat tähän majavaihtoehtoon!

Kiinnitä aivan ensimmäiseksi ruuveilla katon reunavahvikkeet ja räystäslaudat kattolautojen päiden alle. Asenna sen jälkeen katemateriaali.



Katemateriaali (Huom! Joidenkin majavaihtoehtojen tarvikesarjassa tätä ei ole!)

Leikkaa kattohuopa katon pituuden mukaan sopiviksi paloiksi ja aloita niiden asentaminen katon reunalta edeten kohti harjaa, aseta huopakaistaleet takaseinältä kohti etuseinää. Huovan tulisi mennä katon reunan yli noin 2–4 cm. Kiinnitä huopa kattolautoihin toimitukseen kuuluvilla katenauloilla noin 15 cm välein. Varmista, että huopakaistaleet menevät limittäin vähintään 10 cm.

Lattia

Vasta kun maja on kokonaan pystytetty, voidaan asentaa lattialaudat. Näin vältetään lattian turha likaantuminen.

Aseta lattialaudat perusrungolle, naputtele ne kevyesti kiinni toisiinsa ja naulaa ne sitten vahvasti kiinni niskapalkkeihin. Katkaise laudat tarvittaessa sopivan mittaisiksi.

Viimeisenä toimenpiteenä on lattialistojen asentaminen peittämään lattialautojen ja seinän välinen rako. Katkaise listat tarvittaessa sopivan mittaisiksi.

HUOMIO: Majan sijaintipaikalla vallitsevan ilmaston mukaan lattialaudat voivat joko turvota tai kutistua. Jos lattialaudat ovat erittäin kuivia, mutta ilmasto kostea, laudat imevät helposti kosteutta itseensä. Siinä tapauksessa lattialautoja ei tule laittaa kovin tiiviisti kiinni toisiinsa todennäköisen pullistumisen estämiseksi. Jätä lattialautojen väliin jonkin verran (1–2 mm) turpoamisvaraa. Jos taas ilmasto on lämmin ja kuiva, voi laudat laittaa tiiviisti, koska ne kuivuvat ja lautojen väliin voi ilmaantua rakoja.

Tukipuut (Huom! Joidenkin talovaihtoehtojen tarvikepaketissa näitä ei ole!)

Kiinnitä tukipuut (jos ovat mukana tarvikepaketissa) etuseinän (2 yksikköä) ja takaseinän (2 yksikköä) sisäpinnalle toimitetuilla pulteilla. On tärkeää, että hirsiin on porattu reiät etukäteen. Noudata piirustuksessa annettuja välimatkoja niin, ettei tule puun turpoamisen tai kutistumisen aiheuttamia ongelmia.

OHJE: Varmista, että tukipuut kiinnitetään päätykolmion hirteen yläpäästä ja ensimmäisen täysimittaiseen seinähirteen alapäästä. Lyhennä tarvittaessa puita yläpäästä.

Älä kiristä ruuveja tiukkaan niin, että puu pääsee turpoamaan tai kutistumaan.

Säädä kiinnityksiä majan asetuttua niin, että seinähirret pääsevät painumaan.

Tukipuiden asentaminen:



Yleisiä ohjeita:

Ongelma: *Seinähirsien väliin ilmaantuu rakoja.*

Syy: Majaan on asennettu lisärakenteita niin, ettei puu pääse turpoamaan/kutistumaan.
Ratkaisu: Jos ovi tai ikkuna on kiinnitetty seinähirsiiin ruuveilla tai nauloilla, poista nämä naulat tai ruuvit.
Jos tukipuu on kiinnitetty liian tiukkaan, löysää sen kiinnitystä.
Jos seinään on kiinnitetty (sadevesi-) putkia, löysää niiden kiinnityksiä.

Ongelma: *Ovet ja ikkunat jumittuvat.*

Syy: Maja/perustus on painunut.
Ratkaisu: Tarkista, onko maja vaakasuorassa. Suorista niskapalkit ja seinät.
Syy: Ovet ja ikkunat ovat turvonneet kosteuden vaikutuksesta.
Ratkaisu: Säädä ovi- ja ikkunasaranat. Höylää tarvittaessa ikkunaa tai ovea.



Toivotamme täydellistä menestystä puutarhamajan asennuksessa ja paljon iloa majasta monina tulevina vuosina!

1 Generelt



Kære kunde,

Tak fordi du valgte vores havehus!

Venligst læs hele monteringsvejledning igennem før du går i gang for at undgå unødvendig tidsspilde og problemer!

Tips:

- Opbevar pakken med havehuset tørt, beskyttet mod vejr og vind og ikke direkte på jordoverfladen indtil monteringen er afsluttet. Pakken må ej heller være i nærheden af en varmekilde.
- Ved placeringen af havehuset vær opmærksom på, at huset ikke kommer til at stå i ekstreme vejrforhold (stærk vind, meget sne i.lign.), i så fald skal huset fæstnes med passende ankere til grunden.



Garanti

Havehuset er fremstillet af højkvalitativ gran tømmer og leveres i ubehandlet stand. Hvis der på trods af vores grundig kvalitetskontrol skulle være klager eller mangler ved huset, skal disse indgives til sælgeren sammen med udfyldt kontrolskema og indkøbskvittering.

OBS: Venligst opbevar vedlagte dokumentation til havehuset! Husets kontrolnummer fremgår af kontrolskemaet. Klager kan kun indgives hvis I oplyser kontrolnummeret til sælgeren.

Garantien omfatter ikke følgende:

- Ujævnheder og afvigelser grundet træets naturlige egenskaber
- Detaljer som allerede er behandlede med træbeskyttelse
- Detaljer som indeholder hele knaster der ikke påvirker husets stabilitet
- Afvigelser i træets farvenuancer som ikke påvirker træets levetid
- Detaljer som indeholder små sprækker opstået ved tørning der ikke er gennemgående og som ikke påvirker husets konstruktion
- Trædetaljer med skævhed, der stadig kan monteres
- Tag- og gulvbrædder, der indeholder uhøvlede pletter, farveafvigelser eller andre pletter i ikke synlige steder
- Klager der opstået pga. ukyndig montering af huset eller ved placeringen af huset på et ukorrekt udført fundament
- Klager, der er opstået pga. egne tiltag eller ændringer ved huset, såsom skævhed af trædetaljer, døre og vinduer pga. ukyndig behandling af træet; stormlisternes for stram montering; dørkarme fastmonteret i vægdetaljer o.lign.

Garantien udøves ved at ombytte den fejlbehæftede element med en ny. Alle andre krav tilgodeses ikke!



Havehusets maling og vedligeholdelse

Træ er et naturmateriale, der bevæger sig afhængigt af vejrforhold. Små og store sprækker, farveafvigelse og ændringer, samt ændret træstruktur er ikke fejl, men træets egenskaber som naturmateriale.

Ubehandlet træ (undtagen fundamentalsprosser) ændres efterhånden til gråligt, kan endda blive blåligt og muggent. For at beskytte dit havehus og dens trædele bedst, skal du så hurtigt som muligt behandle træet med træbeskyttelse.

Vi anbefaler først at behandle gulvbrædder med et ufarvet træbeskyttelse, specielt bræddernes underside, som ikke vil være tilgængeligt for yderligere behandling efter monteringen. Kun på den måde kan man forhindre fungten at trænge ind.

Vi anbefaler, at du behandler også døre og vinduer med træbeskyttelse. Det er vigtigt at behandle døre og vinduer både på inder- og ydersiden! Ellers kan de trække sig skæve efterhånden.

Efter monteringen af huset anbefaler vi brugen af en passende maling for at beskytte ydersiden mod vejr, vind og UV-stråling.

Brug højkvalitative redskaber og maling under malingsarbejdet, følg instruktioner og anbefalinger fra malingsproducenten. Mal aldrig i direkte sollys eller i regnvejr. Søg tips og råd hos din malingsforhandler og følg deres instruktioner.

Regelmæssig maling af havehuset forlænger betydeligt dets levetid. Vi anbefaler en grundig gennemgang af huset ved hvert halve år.

2 Forberedelse for montage

Redskaber og forberedelse af alle elementer

For monteringen har du brug for følgende redskaber og værktøj:



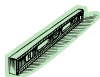
en hjælper



stige



hammer



vatterpass



skruetrækker



sav



kniv



målebånd



tang



boremaskine

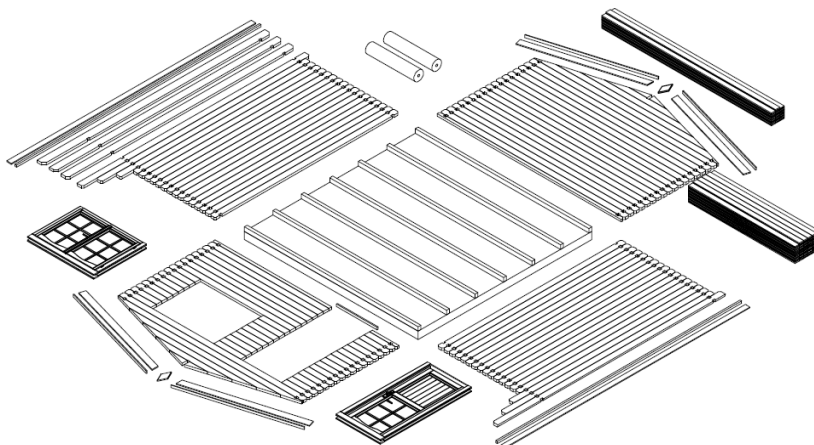
TIPS: For at undgå splinter anbefaler vi brug af arbejdshandsker.

Installationsvejledning – På dansk

Forberedelse af elementer:

Sortér alle delene iflg vægskemaet (se tekniske data) og placér dem i monteringsrækkefølge i alle husets 4 sider.

OBS: Placér aldrig delene direkte på græsset eller på pløret overflade, det kan være svært eller måske umuligt at rengøre senere!



Fundament

Det vigtigste for husets lange levetid og sikkerhed er en god fundament. Kun et fundament, der ser fuldstændig vatter, med 90 graders vinkler og bærende, kan sikre et problemfrit montering og stabilitet af havehuset samt først og fremmest dørenes passeevne. Med en god fundament holder Jeres nye havehus mange flere år.

Fundamentet skal laves sådan, at dens øverste kant er ca 5 cm fra jordoverfladen. Samtidig skal der være tilstrækkelig med lufthuller for ventilationen under gulvet.

Vi anbefaler følgende fundamenttyper:

- Lægte- eller punktfundamen
- Fundament lavet af beton- eller stenmursten
- Støbt fundament

Fundamentets støttepiller skal placeres med max 50-60 cm afstand.

Enten søg vejledning hos specialister eller lade dem lave fundamentet for dig.

3 Montering af havehuset

OBS:

- I pakken findes også 2-3 markerede slagklodser (ca 20-30 cm lang vægprofil)

Alle ovenstående dele er IKKE markeret i skemaet.

- Alle dele på skemaet er forsynet med trecifrede positionsnumre. Deres mere præcise placeringer som er mærket med X findes på skemaet.

Installationsvejledning – På dansk

Sokkel (Fundamentsprosser)

Husets sokkel skal være lige og i vatter for at garantere problemfri montering af resten af huset.

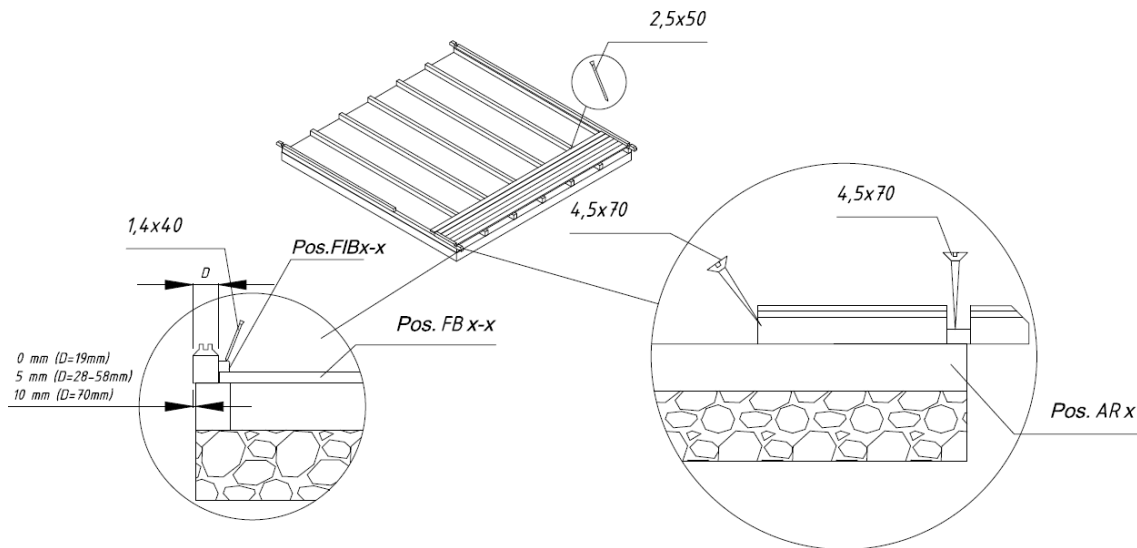
OBS! Forskellige hustyper kan have forskellig placering af fundamentet - se den vedlagte sokkeltegnning (se Tekniske data)!

Placér de forbehandlede sokkelsprosser på det forberedte fundament som vist på tegningen, med lige afstande. Vær nøje med, at sprosserne ligger vandret i vatter og med 90 graders hjørner før du skruer dem fast.

TIPS: Vi anbefaler at placere en fugtspærre mellem sokler og fundamentet, så fugten ikke fordærver huset på sigt.

TIPS: For at beskytte huset mod vind- og vejrforhold, anbefaler vi at soklens sprosser fastgøres på fundamentet. (Brug metalvinkler, ankere ell.lign.) Disse dele er ikke inkluderet i pakken!

Placeringen af fundamentsprosser



Vægge

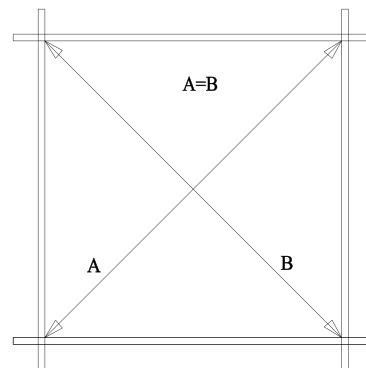
Ved monteringen af vægge er det vigtigt, at:

- Delene monteres altid med noten øverst!
- Hvis nødvendigt brug slagklods og hammeren! Slå aldrig direkte på brættet/noten!

Placér væggene som vist på den vedlagte vægplacering (se Tekniske data).

Først monteres dele til de halve for- og bagvægge og skrues fast i fundamentsprosser. Dernæst monteres sidevæggernes sprosser. **OBS!** Den første omgang skal stikke lidt udover fundamentsprosser: delene skal være ca 3-5 mm over sprossernes kanter. På den måde falder regnvandet bedre ned i jorden uden at husets konstruktion bliver vandskadet.

Omgange:



OBS: Efter første omgang måles diagonaler og delene monteres om hvis nødvendigt! Diagonalernes mål skal være præcis lige lange, så er soklen lavet korrekt og sprosserne kan fastgøres.

Forstæt med monteringen ved at presse vægdelene ind i hinanden. Hvis nødvendigt, brug slagkolds og hammer. Glem ikke at starte med monteringen af døre og vinduer.

Monteringen af døren skal begynde efter 5.-6. omgange.

Døre og vinduer

Dørkarm:

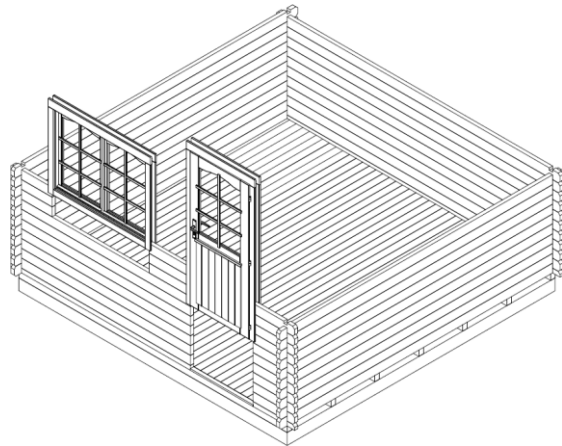
- Ved 2-delt dørparti er delene leveret adskilt pga transporten og den skal samles først.
- Karmens 4 dele sættes sammen og skrues fast i hinanden.
- Den del, der har dybest indsnit skal placeres øverst i karmens ramme. Siderne er placeret spejlvendt i forhold til dørøphænget.
- Selve dørene skal monteres senere.
- Ved 1-delt dørparti leveres dørkarmen samlet.

Dørkarmens placering (Kun nødvendigt med 2-delt dørparti!):



Montering af døren:

Dørkarmen placeres ved dørhullet og skubbes hårdt på den nederste del. Ved 2-delt dørparti monteres nu selve dørene i karmen. For at kunne åbne døren skal der nu monteres lås og håndtag.



Montering af vinduer:

Fortsæt vægdelenes montering indtil vinduets højde. På vægplanen (se Tekniske data) kan man se, hvor mange dele der skal være under hvert vindue. Vindue monteres ligesom døren. Vinduesrammen sammen med selve vinduet skubbes hårdt i vindueshullet, så den sidder fast på den nederste del. Vær opmærksom på at vinduet vender rigtigt.

TIPS: Ved monteringen af døre og vinduer skal man være opmærksom på, hvilken vej disse åbnes. Døre åbnes altid **udad**. Vinduer åbnes **indad**, undtagen disse vinduer, der har vindueshasper indad - disse åbnes **udad**.

OBS: Det er ikke nødvendigt at fastgøre vinduer og døre til selve vægdelene! Hvis dette ønskes, skal de fikseres kun med et par skrueer i rammens nederste kant, for efterhånden som tæet tørrer yderligere, vil vægdelene falde nedad.

Den endelige regulering af dørenes og vinduernes placering kan ske først ca 2-3 uger efter husets færdigmontering, når huset har vænnet sig til vejforholdene og alle delene er faldet på plads.

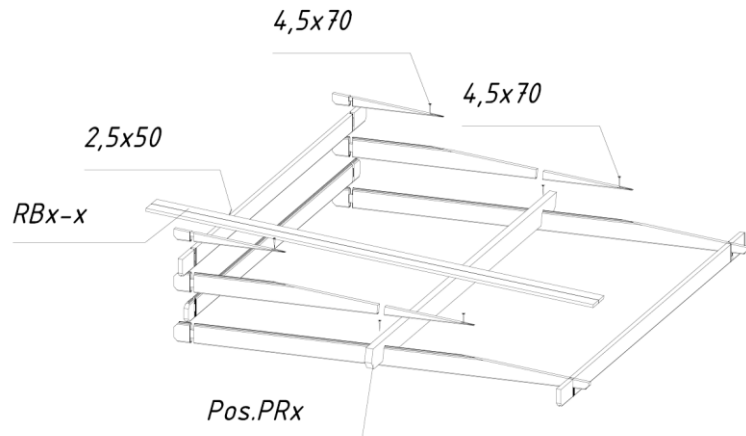
Gavl

Gavlen leveres som regel i ét stykke. (OBS! Ved visse modeller kan gavlen være i flere dele! Disse skal skrues sammen før montering). Efter monteringen af de sidste vægdele placeres gavlene på for- og bagsidevæggen og skrues fast.

Der er lavet markeringer i gavlene for lægter. Også lægter har markeringer, så alt falder nemt og sikkert på plads.

Markeringer i lægterne skal Lægternes placering: placeres ved markeringer på gavlene.

Det er vigtigt, at den øverste vægdel, gavlen og lægterne flugter. Efter lægterne er sat ordentligt på plads, skrues de fast i gavlene oppefra.



OBS: Hvis vægdelene ikke er skubbet ordentligt på plads, kan det være, at gavlen og væggen ikke flugter. Derfor skal vægdelene, hvis nødvendigt, bankes på plads eller høvle sidevæggen eller gavlen lidt ned, så det passer med højden.

Tag

Før monteringen af taget skal alt tjekkes for at være i vatter. Kontrollér samtlige vægge.

OBS: Ved monteringen af taget skal der bruges en stabil stige. Man må ikke betræde taget, eftersom tagets konstruktion er beregnet til jævn fordeling af trykket (sne, vind o.lign.) og ikke beregnet til punktbelastning!

Begynd tagbræddernes montering fra **tagets forside**. Bank brædderne let på plads og søm dem fast både oppefra og nedefra i lægterne og væggen.

OBS: Tagbrædderne skal ikke bankes for hårdt sammen for at undgå ujævnheder senere pga fugten (træet svulmer op)! Der skal være ca 1 mm mellem hvert bræt for at give plads til denne bevægelse.

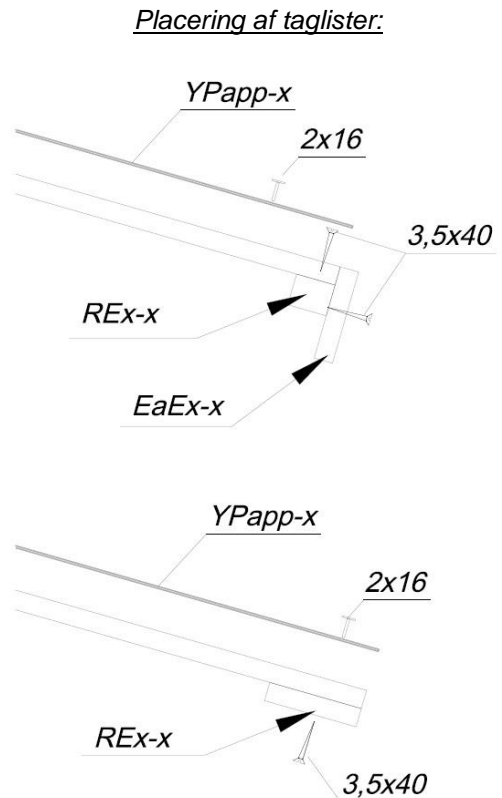
- Vær omærsksom på, at tagbrædderne dækker tagryggen og nederste kant af brædderne er lige ved udhænget. Det er nemmest at gøre det ved hjælp af en snor eller ekstra lægte der er fastmonteret til formålet.
- Tagbrædderne skal flugte med længternes ender både for og bag. Hvis nødvendigt, skal de sidste tagbrædder saves smallere, så det passer.

Installationsvejledning – På dansk

Efter monteringen af tagbrædder fastgøres tagpap og taglister.

Om tagbeklædning og taglisterne er inkluderet i given model af huset, kan man se i skemaet!

Først skrues udhængslægter og lister fast under tagbræddernes ender. Dernæst monteres tagbeklædning.



Tagbeklædning (OBS! Ikke inkluderet ved visse modeller!)

Tagpap skæres i passende stykker efter tagets længde og monteringen startes parallelt med tagets nedre kant ved at bevæge sig opad mod tagryggen, tagpap-strimler lægges fra bagvæggen mod forsiden. Lad ca 2-4 mm tagpap stikke udover kanten. Fastgør pappet på tagbrædderne med de medfølgende papsøm med ca 15 cm mellemrum. Papstrimler skal folde over hinanden med ca 10 cm.

TIPS: Tagpap har forholdsvis kort levetid. Vi anbefaler ved lejlighed at overdække taget med bitumenplader eller blik, som giver huset skønnere ydre. Følg instruktionerne fra producenten eller søg vejledning hos specialister.

Gulv

Først når hele huset er færdigmonteret, kan man lægge gulv, ellers bliver den unødigt beskidt.

Placér gulvbrædderne på soklen, bank dem forsigtigt mod hinanden og søm dem fast i fundamentsprosserne. Hvis nødvendigt, skal man save det sidste bræt i bredden, så den kommer til at passe.

Til sidst placeres gulvlister, for at give lidt luftsprækker mellem gulvet og væggen. Hvis nødvendigt, skal man save gulvlisterne i længden, så de kommer til at passe.

OBS: afhængig af vejforholdene dér, hvor huset opføres, kan det forekomme, at også gulvbrædderne har brug for ekstra plads at vokse og trække sig sammen. Hvis gulvbrædderne er for tørre, men klimaet generelt fugtigt, suger de hurtigt meget fugt. Derfor er det vigtigt, at gulvbrædderne ikke er monteret for tæt på hinanden for at undgå mulige ujævnheder i gulvet. Efterlad en lille spræk på 1-2 mm mellem gulvbrædderne. Hvis derimod klimaet er overvejende meget tørt og varmt, kan man montere gulvbrædder meget tæt mod hinanden, for ved fortsat tørring vil brædderne trække yderligere sammen og efterlade synlige sprækker.

Stormlister (OBS! Ikke inkluderet ved visse modeller!)

Stormlister (hvis inkluderet i sættet) fastgøres på for- (2 stk) og bagvæggens (2 stk) inderside v.h.j.a. medfølgende bolte. Det anbefales at forbore delene. Venligst følg angivne afstandsmål fra tegningen for at undgå problemer med træets voskeværk i fremtiden.

TIPS: Stormlisterne skal fastgøres i den første taglægte foroven og i midten af den første hellange vægdel forned. Hvis nødvendigt, skal listerne afkortes i toppen.

Boltene skal ikke fastskrues helt for at undgå problemer med træets bevægelighed i fremtiden.

Hvis huset har sunket, skal man regulere fæstepunkter for at væggene kunne synke nedad.

Stormlister:



Generelle tips:

Problem: Der kommer sprækker mellem vægdelene

Årsag: Der er monteret ekstra udstyr på huset, som ikke lader træet bevæge sig efter vejforholdene.

Løsning: Hvis dør/vindue er fastgjort på væggen med skruer/søm, skal disse skruer/søm fjernes; Hvis stormlisten er fastgjort for hårdt, skal den løsnes ved boltene; Hvis der er monteret (nedløbs)rør på væggen, skal monteringspunkterne til disse løsnes;

Problem: Døre og vinduer binder

Årsag: Huset/fundamentet er sunket

Løsning: Kontrollér at huset stadig er vandret. Fundamentsprosser og vægge skal atter sættes i vatter.

Årsag: Døre og vinduer er svulmet op pga. fugten.

Løsning: Dør-/vindueshængsler reguleres; hvis nødvendigt, skal man høvle døret eller vinduet mindre, så det kommer til at passe.



Pøj-pøj med monteringen af Dit nye havehus!
Vi håber, I får glæde af det mange år frem i tiden!

1 Algemene informatie



Geachte klant,

Wij zijn zeer verheugd dat U beslist heeft in het voordeel van ons tuinhuis!

Lees deze handleiding aandachtig alvorens te starten met de montage van het tuinhuis! U zal zo problemen voorkomen en geen tijd verliezen.

Aanbevelingen:

- Bewaar het bouwpakket op een droge plaats tot het volledig gebouwd is, maar niet in direct contact met de grond en beschermd tegen weersomstandigheden (vochtigheid, zonlicht, enz.). Bewaar het pakket niet in een verwarmde ruimte!
- Wanneer U de locatie kiest voor het tuinhuis, let er dan op dat het enerzijds niet onderhevig is aan extreme weersomstandigheden (plaatsen met zware sneeuwval of winden); anderzijds bevestigt U het huis best (bv. met ankers) aan de ondergrond.



Garantie

Uw huis is gemaakt van hoogwaardige vuren hout en geleverd in natuurlijke (onbehandelde) vorm. Als, ondanks onze gedegen inspectie, U toch klachten zou hebben, stuur dan het ingevulde controleblad en de aankoopfactuur naar de verkoper..

OPGELET: Gelieve de bij Uw bouwpakket gevoegde documentatie te bewaren! Het controleblad bevat het controlenummer van Uw tuinhuis. We kunnen enkel klachten behandelen indien U het controlenummer aan Uw verkoper bezorgt!

De garantie dekt niet:

- Eigenaardigheden van hout als natuurlijk materiaal
- Houten reeds geschilderde delen (behandeld met een houtbeschermingsmiddel)
- Knoesten in het hout die de stabiliteit van het tuinhuis niet in het gedrang brengen
- Kleurschakeringen veroorzaakt door verschillen in houtstructuur die de levensduur van het hout niet beïnvloeden.
- Houten afwerkingsstukken (veroorzaakt door het drogen) kleine scheuren en openingen die geen invloed hebben op de structuur van het tuinhuis
- Verwongen houten afwerkingsstukken, als ze desondanks toch kunnen geïnstalleerd worden.
- Dak- en vloerpanelen die op verborgen plaatsen ongeschaafde plekken, kleurverschillen en tanning kunnen vertonen.
- Klachten voortkomend uit een incompetente wijze van installeren van het tuinhuis of het naastgelegen huis tengevolge van een incompetente fundering.
- Klachten veroorzaakt door het aanbrengen van zelf-geïnitieerde wijzigingen, zoals het vervormen van houten details aan deuren/ramen tengevolge van incompetente behandeling van het hout; aan het tuinhuis, het te vast bevestigen van stormankers, deurlijsten die worden vastgeschroefd aan wand logs, etc.

De klachten gedekt door garantie zijn beperkt tot het vervangen van gebrekkig/foutief materiaal. Alle andere vragen worden uitgesloten!



Tuinhuis, schilderen en onderhoud

Hout is een natuurlijk materiaal, zet uit en past zich aan aan de weersomstandigheden. Grote en kleine scheuren, kleurverschillen en – veranderingen, net als een veranderende houtstructuur zijn geen fouten, maar een resultaat van het uitzetten van het hout en van de aard van het hout als natuurlijk materiaal.

Onbehandeld hout (behalve de funderingsbalken) kan grijs worden als het een tijd met rust wordt gelaten, het kan blauw en schimmelig worden. Om de houten details van Uw tuinhuis te beschermen, moet U ze onmiddellijk behandelen met een houtbeschermingsmiddel.

We raden aan dat U de vloerdelen met een kleurloze middel impregneerd, vooral de onderkanten, die U niet meer kan bereiken eens het tuinhuis is geassembleerd. Alleen zo voorkomt U het doordringen van vocht.

We raden absoluut aan om ook de deuren en ramen kleurloos te impregneren, zowel aan de binnen- als aan de buitenkant! Anders kunnen ze verwrongen geraken.

Nadat het tuinhuis volledig is geassembleerd, bevelen we als finale afwerking het aanbrengen van een dekkende verf aan die het hout zal beschermen tegen vocht en UV-straling.

Gebruik bij het schilderen kwaliteitsgereedschap en –verven, Volg de bij de verf geleverde veiligheidsgebruikshandleiding. Schilder nooit een oppervlak in felle zon of bij regenweer. Consulteer een specialist betreffende verven die geschikt zijn voor onbewerkt hout en volg de instructies van de verffabrikant.

Het degelijk schilderen van Uw tuinhuis zal de levensduur ervan aanzienlijk verlengen. We raden U aan het tuinhuis elke zes maanden grondig te inspecteren.

2 Voorbereiding voor montage

Gereedschappen en voorbereiding van de onderdelen

Om het tuinhuis te monteren, zal U volgende gereedschappen nodig hebben:



montagesteun



ladder



hamer



waterpas



schroevendraaier



zaag



mes



rolmeter



knijptang



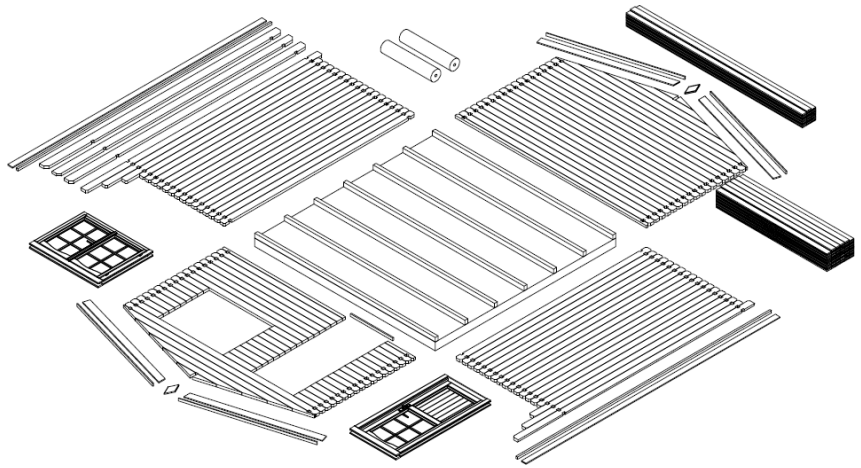
boormachine

Raadgeving: Om splinters te vermijden, raden we U aan de overeenkomstige beschermende handschoenen te dragen tijdens het montageproces.

Vorbereiding van de onderdelen:

Sorteer de onderdelen zoals aangegeven op de assemblagetekeningen (zie Technische specificaties) en plaats ze aan de vier zijden van het tuinhuis in volgorde van installatie

OPGELET: Plaats de onderdelen nooit direct op gras of op een modderige ondergrond want het zal zeer moeilijk of zelfs onmogelijk zijn om ze nadien schoon te maken!



Fundering

Een goede fundering is het belangrijkste aspect dat de duurzaamheid en veiligheid van Uw tuinhuis garandeert. Alleen een volledig vlakke, rechthoekige en dragende fundering zal een probleemloze installatie van het tuinhuis, de stabiliteit ervan en speciaal het passen van de deuren verzekeren, Met een goede fundering zal Uw tuinhuis zal er nog heel lang staan.

Bereidt de fundering zo dat de bovenkant minstens 5 cm uit de grond steekt. Verzeker er U van dat er onder de vloer, voldoende luchtopeningen voor ventilatie zijn.

Wij bevelen de volgende funderingsopties aan:

- Strip of spot fundering
- Fundering van beton of voetpadtegels
- Gegoten betonplaat

Bereidt de fundering zo voor dat de funderingsbalken aan elke kant worden gestut met tussenruimten niet groter dan 50-60 cm.

Raadpleeg een bevoegd expert of laat de fundering voorbereiden door specialisten.

3 Tuinhuis assemblage

OPGELET:

- Het pakket bevat teven 2-3 gemerkte slagblokken (muurprofiel ongeveer 20-30 cm lang).

Alle hierboven vermelde details ZIJN NIET vermeld in de specificatielijst.

- Op de tekeningen zijn de details gemarkeerd met een 3-cijferig nummer. De exacte positie van deze details met als derde karakter een "x" kan worden gevonden op de specificatielijst.

Basisstructuur (Funderingsbalken)

De basisstructuur van het tuinhuis moet volledig vlak en waterpas zijn om de montage probleemloos te kunnen uitvoeren.

OPGELET: een ander tuinhuis kan andere funderingseisen hebben – zie hiervoor de bijgevoegde tekening van de basisstructuur (in Technische specificaties)!

Plaats de geïmpregneerde funderingsbalken, in overeenstemming met de tekening, op gelijke afstanden, op de voorbereide fundering. Controleer nogmaals of de balken waterpas en in een rechte hoek liggen alvorens ze vast te schroeven.

ADVIES: Het is aangeraden om tussen de fundering en de funderingsbalken een dampscherm te plaatsen omdat dat het tuinhuis zal beschermen tegen vocht en verval.

ADVIES: Om bescherming te verzekeren tegen wind en storm, is het aan te raden om de funderingsbalken aan de fundering vast te maken. (hiervoor kunt U bv. Metalen hoeken, ankers, enz.) gebruiken. De overeenkomstige materialen zijn niet in het pakket inbegrepen!

Montage van de funderingsbalken:



Wanden :

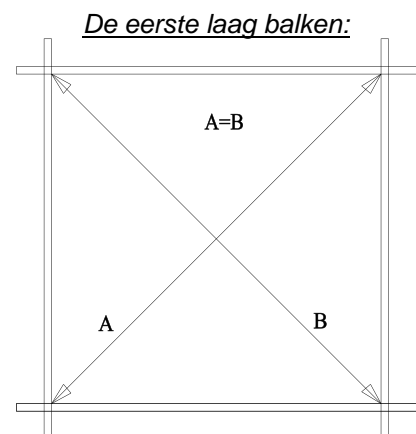
Bij het monteren van de muren, is het belangrijk erop te letten dat:

- De balken steeds met de tong naar boven worden gemonteerd!
- U, indien nodig, de slagblokken en de hamer gebruikt! Sla nooit direct met de hamer op de tong!

Monteer de muren overeenkomstig de montageplannen (zie Technische specificaties).

Allereerst plaatst U de halve dikke planken van de voor- en achterwand en bevestigt U ze met schroeven aan de balken. Plaats daarna de planken van de zijwanden in hun positie. Let er hierbij op dat de eerste laag planken ongeveer 3-5 cm uitsterkt buiten de balken Dit resulteert in een drupkant en bescherming tegen vocht.

OPGELET: Meet na de eerste laag balken de diagonale lengten en hermonteer de balken indien nodig. Enkel wanneer de diagonalen even lang zijn is de basisstructuur rechthoekig en kunt U wederzijds de balken vasthechten.



Ga verder met demontage van de muren door de muurbalken stevig in elkaar te duwen. Gebruik, indien nodig, het slagblok en een hamer. Vergeet niet tegelijkertijd met de montage van de deur en de

ramen te beginnen. U moet absoluut met de montage van de deur beginnen na het leggen van de 5de of 6de laag balken.

Deur en raam

Deurkast:

- Als het een dubbele deur is, is de deurkast geleverd in aparte stukken omwille van vervoereisen en U zal moeten beginnen met ze te monteren.
- Om dit te doen, plaatst U de 4 delen van de kast samen en schroeft U ze aan mekaar.
- Let erop dat het deel van de deurkast met de diepere inkeping rechtom gemonteerd wordt. De laterale stijlen hebben hengsels en zijn gespiegeld.
- Het is aanbevolen om de deurbladen later te monteren.
- Bij een enkele deur, worden de deurlijst en het blad reeds gemonteerd geleverd.

Deurkast montage (Enkel nodig bij een dubbele deur!):



Deur montage:

de kader van de deur wordt in de gevormde opening geplaatst en krachtig tot op de onderste balk gedruwd. Bij een dubbele deur, plaatst U nu de deurbladen aan de hengsels. Bevestig het apart verpakte slot samen met de klink



Raam montage:

Ga verder met de montage van de muren tot op de hoogte van de ramen. Het montageplan (zie Technische specificaties) geeft aan hoeveel balken er onder het raam zitten. Monteer het raam zoals de deur, druk, net als bij de deur, de raamkozijn krachtig in de raamopening tot op de ondergelegen balk. Zorg ervoor dat het raam niet achterstevoren (ondersteboven) is.

ADVIES: zorg er zeker voor dat de ramen en deuren naar de juiste richting opengaan. De deuren gaan steeds open van binnen **naar buiten**. De draaibaar-kantelbare ramen openen **naar buiten** (de raamklinken zitten aan de binnenkant)

OPGELET: Het is niet nodig om de deuren en ramen te bevestigen aan de muren! Als U dit wenst te doen, is het voldoende om ze te bevestigen met enkele schroeven in het onderste deel van de lijst want naarmate ze drogen zullen de balken beginnen te verzakken.

U kunt de uiteindelijke aanpassingen van de deuren en ramen pas 2-3 weken na de montage van het tuinhuis uitvoeren, wanneer het tuinhuis zich aangepast heeft aan de weersomstandigheden en de balken zich gezet hebben.

Topbalken

In de meeste gevallen, wordt de topbalk geleverd in één stuk (opgelet: in sommige tuinhuisopties, kan de topbalk bestaan uit meerdere delen! In dit geval, zullen de delen moeten worden samengeschroefd alvorens andere acties te ondernemen). Na de montage van de laatste balken, plaatst U de topbalk op de voor- en achterwand en bevestig ze met schroeven.

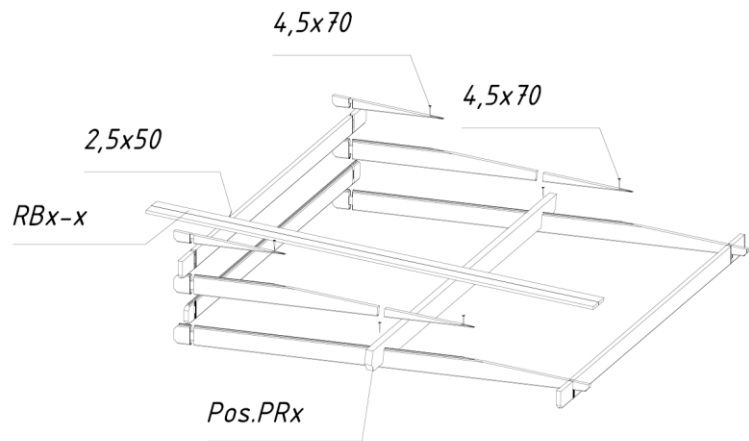
De topbalken hebben inkepingen voor de spanten. De spanten hebben ook de overeenkomstige inkepingen, wat ervoor zorgt dat het dak vast en op de juiste plaats geplaatst wordt.

Montage der Dachpfetten:

Plaats nu de spanten in de corresponderende inkepingen van de topbalk.

Let erop dat de bovenste muurbalken, topbalken en spanten waterpas zijn.

Na het aanpassen van de gordingen, worden deze van bovenaf aan de gevelpunt geschroefd.



OPGELET: Als de muurbalken niet goed op elkaar, zonder openingen, worden aangedrukt, is het mogelijk dat de hoogste niet op dezelfde hoogte zit met de topbalken. In dit geval dient U de muurbalken zover als nodig naar beneden te kloppen of de topbalk of zijmuur wat bijschaven.

Dak

Let er, vooraleer de dakpanelen te plaatsen, op dat het tuinhuis volledig vlak staat. Gebruik de waterpas om alle muren te controleren.

OPGELET: Gebruik bij het plaatsen van het dak een stabiele ladder. Betreedt het dak niet want dit is enkel voorzien voor het dragen van een gelijkmatig verdeelde last (sneeuw, wind, enz.), en niet voor plaatselijke belasting!

Begin bij de montage van de dakpanelen aan de voorkant van het dak. Sla de individuele borden lichtjes tegen elkaar en vernagel ze zowel boven als onder aan de dakpanelen en aan de bovenste wandplanken.

OPGELET: Let erop dat de dakpanelen niet te vast aan mekaar bevestigd worden, zo vermijdt U eventuele door vochtigheid veroorzaakte zwellingen. Laat een tussenruimte van ong. 1 mm tussen de panelen zodat het hout nog kan 'werken'.

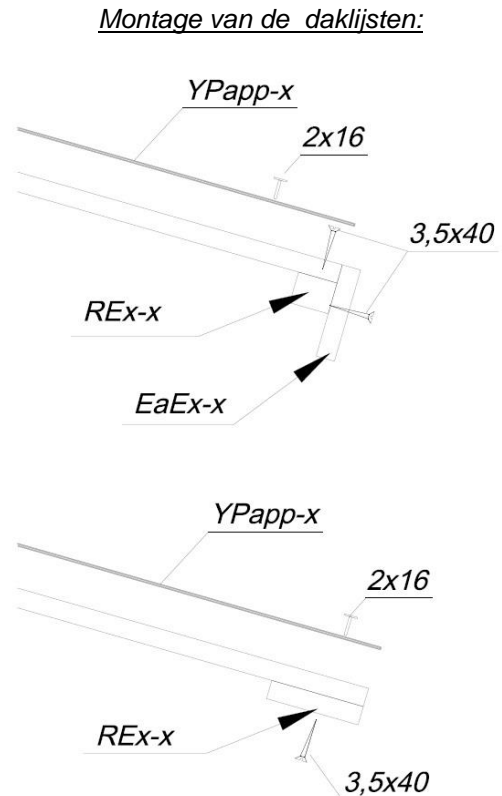
- Let bij het hele dak op dat de absolute paralleliteit van de drupkanten en op de gelijkblijvende oversteek en gelijkmatige opbouw op de eerste gording. Gelieve dit met een koord te controleren of met de zijdelingse druppanelen die U ter controle plaatst.
- De dakpanelen moeten voor- en acteraan zorgvuldig aansluiten op de gordingen. Zonodig de laatste dakpanelen smaller zagen.

Installatiegids – Dutch

Wanneer de dakpanelen geplaatst zijn, moet de roofing en daklijsten aangebracht worden.

Of de dakbedekking en –lijsten bij het pakket horen, verwijzen we naar de stuklijst.

Schroef eerst de dakrandversterkingen en –lijsten onder de uiteinden van de dakpanelen (indien meegeleverd). Breng daarna de roofing aan.



Roofing (indien meegeleverd)

Snijdt voor de dakbedekking banen van de meegeleverde roofing af, overeenkomstig de lengte van het dak. Begin met het bevestigen van de bitumenbanen aan de onderste zijde van het dak, waarbij U de banen in de lengte van achter naar voor legt. Laat de eerste baan zijdelings ca. 2-4 cm oversteken (drupkant). Bevestig de roofing met de bijgeleverde roofingnagels op ca. 15 cm afstand. Let er bij het aanbrengen van de volgende baan op dat deze de vorige minstens 10 cm overlapt.

Vloer

De vloerpanelen kunnen enkel geïnstalleerd worden als het tuinhuis volledig gemonteerd is, zo vermijdt U onnodige bevuiling van de vloer.

Plaats de vloerdelen op de basisstructuur, tik ze licht tegen mekaar aan en vernagel ze krachtig met de funderingsbalken. Zaag, indien nodig, het laatste vloerdeel op de geschikte breedte.

De laatste operatie is het aanpassen van de plinten om openingen tussen muur en vloerdelen te bedekken. Zaag, indien nodig, de plinten op de gewenste lengte.

OPGELET: Afhankelijk van het klimaat op de tuinhuislocatie, kunnen de vloerdelen zwellen of krimpen. Als de vloerdelen zeer droog zijn en het klimaat vochtig, zullen ze zeer gemakkelijk het vocht opslorpen. In dit geval, mogen de vloerdelen niet te stevig vastgezet zijn om mogelijke bolling te vermijden. Laat wat ruimte (1-2 mm) tussen de vloerdelen voor opzwellen. Als Uw klimaat daarentegen warm en droog is, dan kunt U de vloerdelen stevig aandrukken omdat ze droger zullen worden en dan kunnen er openingen tussen ontstaan.

Stormankers (NB! Zijn in sommige pakketten niet inbegrepen!)

Bevestig de storm ankers (indien inbegrepen in het geleverde pakket) aan de binnenzijde van de voor- (2 stuks) en de achtergevel (2 stuks) met de bijgeleverde bouten. Het is belangrijk dat de balken op voorhand doorboord zijn. Houdt de afstanden die op de tekening zijn gegeven aan zodat er geen problemen ontstaan met het hout tengevolge van uitzetten of krimpen van het hout.

ADVIES: Let erop dat de stormankers verbonden zijn met de topbalk en met het midden van de eerste muurbalk van volle lengte onderaan. Kort, indien nodig, de bovenste uiteinden van de latten in.

Draai de schroeven niet te vast, zodat het hout verder kan uitzetten en krimpen.

Na het tuinhuis te hebben gemonteerd, past U best de toevoegingen aan, zodat de muurbalken zich kunnen zetten.

Installatie van de stormankers:



Algemeen advies:

Probleem: *Er ontstaan openingen tussen de muurbalken*

Oorzaak: Er zijn bijkomende details aan het tuinhuis bevestigd die niet toelaten dat het hout uitzet of krimpt.

oplossing: Als de deur/raam verschroefd/vernageld is aan de muurbalken, verwijder dan deze schroeven/nagels;
Als het stormanker te vast is aangeschroefd, verliest het zijn hechting;
Als (regenwater) buizen aan de muur zijn geïnstalleerd, maak dan hun bevestigingen losser.

Probleem: *De deuren en ramen komen klem te zitten.*

Oorzaak: Het tuinhuis/De fundering heft zich gezet.

Oplossing: Controleer of het tuinhuis vlak staat. Vlak de funderingsbalkenen de muren uit.

Oorzaak: De deuren en ramen zijn uitgezet door vochtigheid.

Oplossing: Pas de deur- en raamhengsels aan; Schaaf, indien nodig de deur en raam smaller.



We wensen U alle success met Uw tuinhuismontage en heel veel plezier ermee in de komende jaren!

1 Informações gerais



Estimado cliente,

É com prazer que constatamos que se decidiu pela nossa casa de jardim!

Leia cuidadosamente o manual de montagem antes de iniciar a instalação da casa! Evita assim problemas e perda de tempo.

Recomendações:

- Conserve a embalagem da casa até estar completamente montada num local seco, mas não em contacto direto com o solo, protegida das condições meteorológicas (humidade, sol, etc.) Não mantenha a embalagem da casa numa divisão aquecida!
- Quando seleccionar a localização da casa de jardim, assegure-se que a casa não estará sujeita a condições meteorológicas extremas (áreas com queda de neve ou ventos intensos); caso contrário deve prender a casa (por exemplo com estacas) ao subsolo.



Garantia

A sua casa é feita de abeto de alta qualidade e é fornecida em forma natural (não processada). Se, apesar da nossa rigorosa inspeção, tiver queixas, é favor apresentar a ficha de controlo devidamente preenchida e a fatura da venda ao vendedor do produto.

ATENÇÃO: Assegure-se que conserva a documentação que acompanha a embalagem da casa! A ficha de controlo inclui o número de controlo da casa. Só poderemos analisar queixas se apresentar o número de controlo da casa ao vendedor!

A garantia não cobre:

- Peculiaridades da madeira como material natural
- Detalhes de madeira já pintados (processados com um conservante de madeira)
- Detalhes em madeira contendo ramos inteiros que não comprometem a estabilidade da casa
- Variações de tom de cor causadas por diferenças na estrutura da madeira que não influenciam a vida útil da madeira
- Detalhes de madeira contendo (causadas pela secagem) pequenas fendas/lacunas que não passam e não influenciam a estrutura da casa
- Detalhes de madeira retorcida caso possa ser instalada
- Placas de teto e piso que possam ter em suas superfícies ocultas algumas áreas não aplainadas, diferenças de cores e palidez
- Queixas resultantes de uma instalação incompetente da casa ou derivadas do desabamento da casa devido a fundações feitas de forma incompetente.
- Queixas causadas pela introdução de alterações à casa por auto-iniciativa, tais como a deformação de detalhes de madeira e portas/janelas devido a uma forma incompetente de processamento da madeira; fixação das cintas de tempestade demasiado rígida, molduras de portas aparafusadas aos troncos da parede, etc.

As queixas cobertas pela garantia são satisfeitas com a substituição do material eficiente/defeituoso. Todas as outras solicitações serão excluídas!



Pintura da casa de jardim e manutenção

A madeira é um material natural, que cresce e se adapta consoante as condições meteorológicas. Fendas grandes e pequenas, diferenças de tonalidade da cor e alterações, bem como uma estrutura variável da madeira, não são erros, mas sim o resultado da madeira a crescer e uma peculiaridade da madeira enquanto material natural.

A madeira não processada (exceto vigas das fundações) fica acinzentada depois de ter sido deixada sem ser tocada durante algum tempo, e pode ficar azul e desenvolver bolor. Para proteger os detalhes de madeira da sua casa de jardim, tem de os tratar imediatamente com um conservante para madeira.

Recomendamos que cubra antecipadamente as tábuas do chão com um agente impregnante para madeira incolor, em especial as laterais das tábuas às quais vai deixar de ter acesso assim que a casa estiver montada. Só assim poderá prevenir a penetração de humidade.

Recomendamos certamente que trate também as portas e janelas com um agente impregnante para madeira, tanto do interior como do exterior! Caso contrário as portas e janelas podem empenar.

Uma vez concluída a montagem da casa, recomendamos um acabamento definitivo com uma tinta de proteção contra intempéries que proteja a madeira contra a humidade e a radiação UV.

Durante a pintura, utilize ferramentas e tintas de boa qualidade, siga o manual de aplicação da tinta e as instruções de segurança e utilização do fabricante. Nunca pinte uma superfície sob luz do sol intensa ou em tempo chuvoso. Consulte um especialista em tintas adequada para madeira de coníferas não processada e siga as instruções do fabricante da tinta.

Uma vez devidamente pintada, a vida útil da sua casa de jardim aumenta substancialmente. Recomendamos que inspecione a casa cuidadosamente a cada seis meses.

2 Preparação para a montagem

Ferramentas e componentes da preparação

Para montar a casa de jardim, vai precisar das seguintes ferramentas:



auxiliar de montagem



escada



martelo



nível de bolha



chave de parafusos



serra



faca



fita métrica



alicate



berbequim

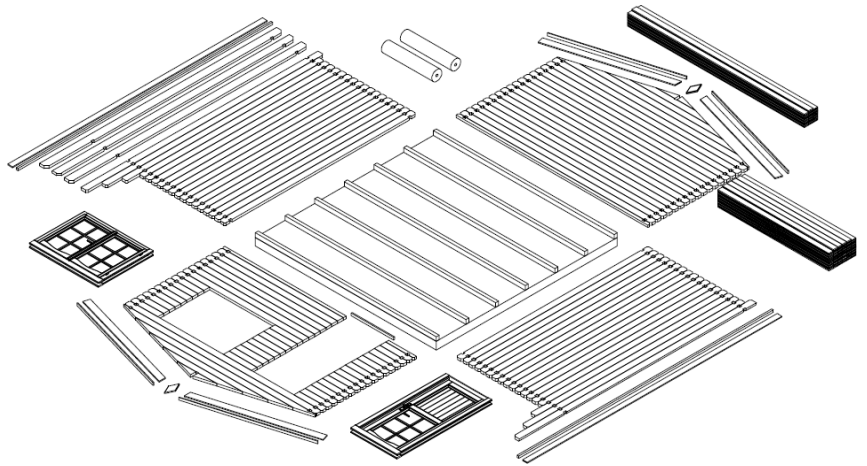
CONSELHO: Para evitar lascas, recomendamos que use luvas de proteção correspondentes durante o processo de montagem.

Manual de instalação - Português

Preparação de componentes:

Organize os componentes de acordo com os planos de parede (ver Especificações técnicas) e coloque-os nos quatro lados da casa de acordo com a sequência de instalação.

ATENÇÃO: Nunca coloque os componentes diretamente sobre relva ou superfícies lamacentas, porque será muito difícil limpá-los depois!



Alicerce

Um bom alicerce é o aspecto mais importante para garantir a duração e a segurança da sua casa. Apenas um alicerce nivelada, retangular e robusta assegurará uma instalação sem problemas da casa, a sua estabilidade e especialmente a das respectivas portas. Com um bom alicerce, a sua casa manter-se-á de pé durante muitos mais anos.

Prepare o alicerce de forma a que a sua face superior se ergue pelo menos 5 cm acima do solo. Ao mesmo tempo assegure-se de que existem entradas de ar suficientes sob o soalho da casa para ventilação.

Recomendamos as seguintes opções:

- Alicerce com viga de fundação ou de sapata
- Alicerce em betão ou pavimento
- Base de betão armado

Prepare o alicerce de forma a que as vigas estejam apoiadas em todos os lados com intervalos que máximos de 50-60 cm.

Consulte um especialista neste campo ou contrate especialistas para preparar o alicerce.

3 Montagem da casa de jardim

ATENÇÃO:

- A embalagem da casa também inclui 2-3 blocos amortecedores marcados (perfil de parede de aproximadamente 20-30 cm de comprimento).

Os detalhes mencionados acima NÃO SÃO mencionados na lista de especificações.

- As figuras têm os detalhes marcados com números de posição de três dígitos. As posições exatas destes detalhes que têm um terceiro dígito «x» podem ser encontradas na lista de especificações.

Estrutura de base (Vigas do alicerce)

A estrutura de base da casa deve ser completamente plana de forma a que a instalação possa ser efetuada sem problemas.

ATENÇÃO: casas diferentes poderão ter colocações de alicerces diferentes - ver figura da estrutura de base anexa (em Especificações Técnicas)!

Coloque as vigas impregnadas no alicerce de acordo com a figura a intervalos idênticos. Assegure-se de que as vigas estão niveladas e retangulares antes de as aparafusar umas às outras.

CONSELHO: Recomenda-se que coloque entre as vigas e o alicerce barreiras de proteção impermeáveis de forma a proteger a casa da humidade e degradação.

CONSELHO: Para garantir proteção contra o vento e as tempestades, recomenda-se que fixe as vigas ao alicerce (para o fazer, pode, por exemplo, usar vigas de metal em L, escoras, etc.). Os materiais correspondentes não estão incluídos no kit fornecido!

Instalação das vigas do alicerce:



Paredes

Quando instalar as paredes, é importante ter em conta que:

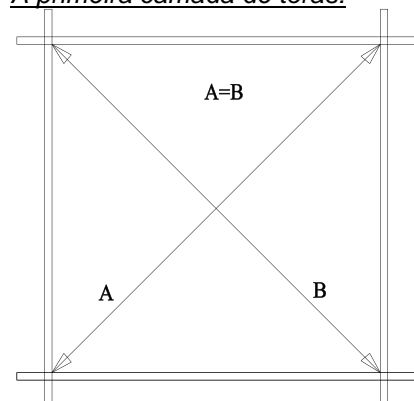
- As toras são sempre montadas com as línguas para cima!
- Se necessário, use o bloco amortecedor e o martelo! Nunca martele diretamente o bloco amortecedor!

Instale as paredes de acordo com os planos de parede anexados (ver Especificações Técnicas).

Em primeiro lugar, coloque as meias-toras das paredes frontal e traseira nos seus locais corretos e aparafuse-as às vigas do alicerce. Em seguida instale as toras das paredes laterais. Assegure-se de que a primeira camada de toras estender-se um pouco para além das vigas do alicerce: as toras deverão estender-se uns 3-5 mm para além das vigas. Protegerá desta forma a sua casa da humidade, permitindo o fluxo livre da água da chuva para o solo.

ATENÇÃO: Após instalar a primeira camada de toras, meça as diagonais e, se necessário, reinstale as toras. Só poderá fixar as toras umas às outras se as diagonais tiverem exatamente o mesmo comprimento da estrutura de base retangular.

A primeira camada de toras:



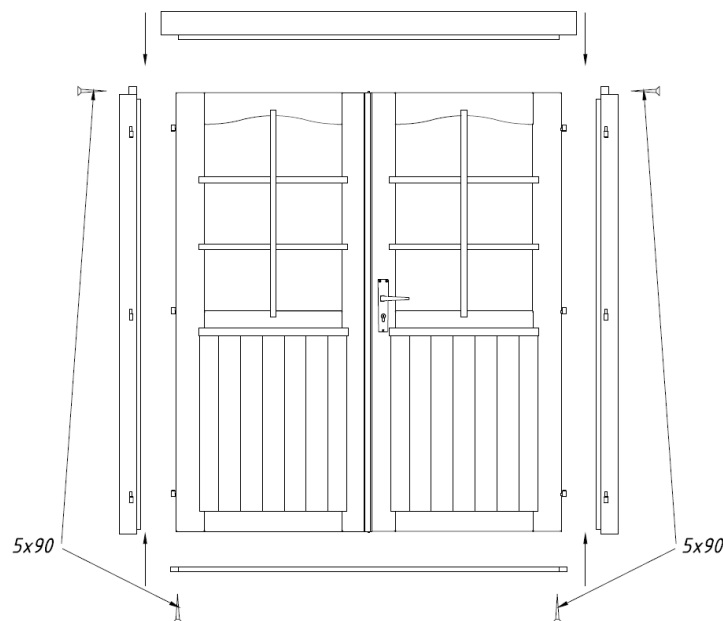
Continue a instalação das paredes juntando com força as toras umas às outras. Se necessário, use o bloco amortecedor e o martelo. Ao mesmo tempo, não se esqueça de iniciar a instalação da porta e das janelas. Deverá definitivamente iniciar a instalação da porta após a 5ª-6ª camada de toras.

Porta e janela

Caixilho da porta:

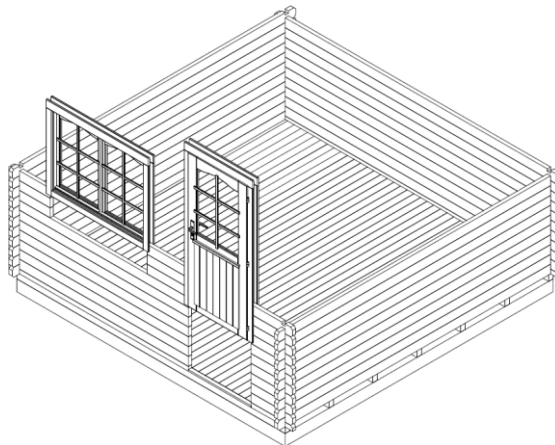
- Se se tratar de uma porta dupla, o caixilho será fornecido à parte devido às requisições de transporte e terá de começar por o montar.
- Para o fazer, posicione as 4 partes do caixilho e aparafuse-os uns aos outros.
- Assegure-se de que a parte do caixilho com a fenda mais profunda é instalada na parte superior. As partes laterais da moldura têm dobradiças refletidas.
- Recomenda-se que instale as folhas das portas mais tarde.
- Trata-se de uma única porta, o caixilho e a folha são fornecidos já montados.

Instalação do caixilho da porta (Apenas necessário no caso de portas duplas!):



Instalação da porta:

O caixilho da porta está colocado na abertura depois de ter sido encaixado na tora que se encontra mais próxima do alicerce. Se se tratar de uma porta dupla, por favor coloque as folhas nas dobradiças agora. Para abrir e fechar a porta, instale a fechadura e o puxador embalados em separado.



Instalação da janela:

Continue a instalação das paredes com as toras das paredes até atingir a altura da janela. Os planos da parede (ver Especificações Técnicas) mostram quantas toras suportam a janela. Instale a janela da mesma forma que a porta. Tal como a porta, encaixe o caixilho da janela na abertura formada pelas toras, forçando-o contra a tora inferior. Assegure-se de que a janela não é encaixada do avesso.

CONSELHO: Assegure-se em definitivo de que as janelas e portas abrem na direção correta. As portas abrem sempre do interior **para o exterior**. As janelas oscilobatentes abrem **para o interior**. As janelas basculantes e giratórias abrem **para o exterior** (os puxadores das janelas encontram-se no interior).

ATENÇÃO: Não é necessário prender as portas e as janelas às toras das paredes! Se desejar fazê-lo, bastará fixá-las com um par de parafusos à parte inferior do caixilho, porque à medida que secam, as toras das paredes começam a baixar.

Manual de instalação - Português

Só poderá efectuar os ajustes finais das portas e janelas 2-3 semanas após a instalação da casa, quando esta estiver adaptada às condições climáticas e as toras assentes.

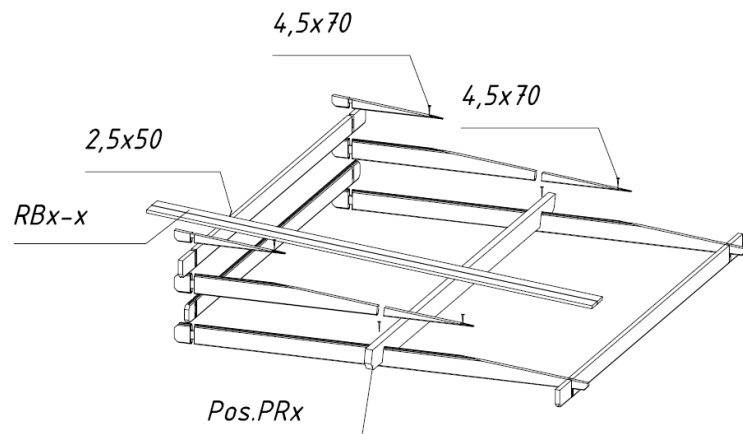
Topo

Na maior parte dos casos, o topo é fornecido como uma única peça (atenção: em algumas opções de casas, o topo pode ter várias partes!) Neste caso, estas partes podem ser aparafusadas umas às outras antes de outras ações. Uma vez instaladas as toras das paredes, aparafuse o topo às paredes frontal e traseira e aparafuse-o

Os topos têm entalhes para as vigas. As vigas também têm encaixes correspondentes aos entalhes, garantindo que o telhado fica colocado firmemente e no sítio.

Agora coloque as vigas nos Instalação das vigas: entalhes do topo correspondentes.

Assegure-se de que na tora superior da parede, os topos e as vigas estão nivelados. Uma vez encaixadas as vigas, aparafuse-as ao topo a partir do cimo do mesmo.



ATENÇÃO: Se as toras das paredes não estiverem encaixadas com firmeza umas em cima das outras sem intervalos, a tora de parede superior poderá não estar ao mesmo nível dos topos. Neste caso deverá martelar, conforme necessário, as toras das paredes, ou nivelar o topo ou a tora da parede lateral para uma altura ligeiramente inferior.

Telhado

Antes de instalar as telhas, assegure-se de que a casa está completamente nivelada. Use o nível de água para verificar todas as paredes.

ATENÇÃO: Quando colocar o telhado, use uma escada estável. Não se coloque em cima do telhado uma vez que a estrutura apenas pode sustentar uma carga uniforme (neve, vento, etc.), e não uma carga pontual!

Inicie a instalação das telhas **a partir da extremidade do telhado**. Martele as telhas ligeiramente e fixe-as em cima e em baixo com pregos às vigas e à tora superior da parede.

ATENÇÃO: Não junte demasiado as telhas umas às outras e evitará a sua dilatação e conseqüente humidade! Deixe um intervalo de cerca de 1 mm entre as telhas para permitir dilatação.

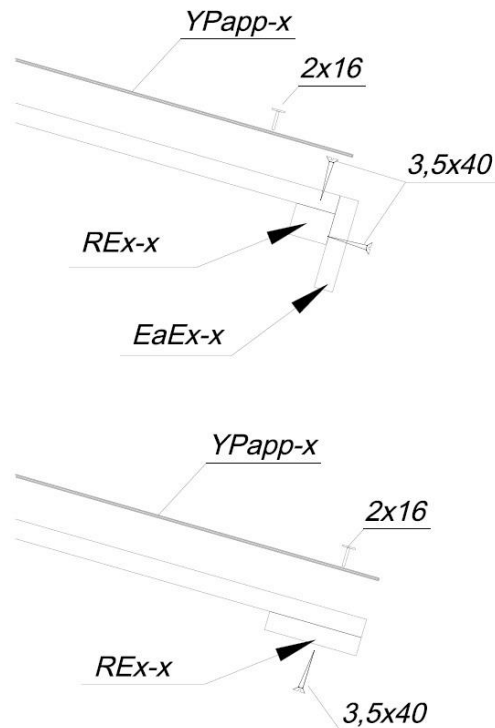
- Durante a colocação das telhas, assegure-se de que os respectivas vigas de sustentação coincidem e que as partes externas das telhas se estendem a uma distância uniforme. Verifique esta situação com uma corda ou com a ripa lateral do beiral que pode instalar para verificação.
- As telhas devem estar niveladas com as pontas das vigas à frente e atrás. Se necessário, serre as duas últimas telhas de forma a que fiquem niveladas com as pontas das vigas.

Uma vez instaladas as vigas, o forro e a laje do telhado terão de ser fixados.

A tabela de componentes indica se o material de cobertura do telhado e ripas estão incluídos nesta opção de casa!

Antes de prosseguir, aparafuse os reforços das bordas do telhado e da laje que se encontram sob as pontas das telhas. Em seguida instale o material de cobertura do telhado

Instalação das ripas do telhado:



Material de cobertura do telhado (NOTA! Algumas opções de casa não os incluem no kit!)

Corte o forro do telhado em peças de tamanho adequado às dimensões do telhado e instale-as em paralelo com a borda inferior do telhado, na direção da parte mais elevada colocando as tiras do forro no sentido da parede traseira partindo da parede frontal. O forro deverá passar 2-4 cm para além da borda do telhado aproximadamente. Fixe o forro do telhado às telhas com os pregos do forro fornecido em intervalos de cerca de 15 cm. Assegure-se de que as tiras de forro se sobrepõem umas às outras por pelo menos 10 cm.

Piso

Só quando a casa estiver completamente construída, poderá instalar o pavimento, evitando assim manchar o chão desnecessariamente.

Coloque as placas do pavimento sobre a estrutura de base, martele-as ligeiramente, juntando-as e em seguida pregue-as às vigas do alicerce. Se necessário, corte a última placa de pavimento de forma a obter a dimensão adequada.

O último passo será instalar os rodapés que cobrirão os espaços entre as placas de pavimento e as paredes. Se necessário, corte os rodapés de forma a obter a dimensão adequada.

ATENÇÃO: Dependendo das condições climáticas no local da casa, as placas de pavimento poderão dilatar ou comprimir. Se as placas de pavimento estiverem muito secas quando o clima é húmido, poderão absorver humidade com facilidade. Neste caso, as placas de pavimento não deverão ser fixas de forma muito apertada, de forma a evitar uma provável dilatação. Deixe algum espaço (1-2 mm) entre as placas de pavimento para permitir a dilatação. Se o clima for quente e seco, poderá instalar as placas de forma mais apertada, porque estarão mais secas e poderão aparecer espaços entre elas.

Ferragens de fixação (NOTA! Não incluídas em alguns kits opcionais de casas!)

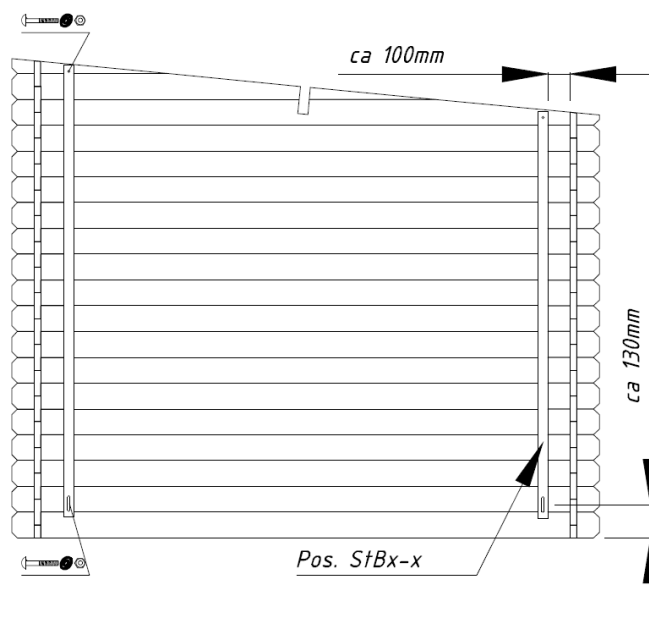
Fixe as ferragens de fixação (se incluídas no kit fornecido) nos lados interiores das paredes frontal (2 unidades) e traseira (2 unidades) com os parafusos fornecidos. É importante furar as toras de um lado ao outro com antecedência. Por favor mantenha as distâncias indicadas na figura para que não ocorram nenhuns problemas devido à dilatação ou compressão da madeira.

CONSELHO: Assegure-se de que as ferragens de fixação são fixas ao topo através da tora mais elevada e ao meio da tora de parede mais baixa. Se necessário, corte as pontas superiores das ripas.

Não aparafuse demasiado de forma a que a madeira possa dilatar ou comprimir.

Quando a casa assentar, deverá ajustar as fixações de forma a que as toras da parede também possam assentar.

Instalação de ferragens de fixação:



Recomendação geral:

Problema: *Aparecem espaços entre as toras da parede*

Causa: Detalhes adicionais relacionados com a casa não permitem que a madeira dilate/comprima.

Soluções: Se a porta/janela está fixa nas toras da parede com parafusos/pregos, remova estes parafusos/pregos;
Se uma ferragem de fixação está aparafusada de forma muito apertada, desaperte-a um pouco;
Se tiver instalados na parede canos (água da chuva), dê folga aos equipamentos que os estão a fixar à parede;

Problema: *Se as portas e janelas não abrirem.*

Causa: A casa/alicerce house/foundation assentou.

Solução: Verifique se a casa está nivelada. Nivele as vigas do alicerce e paredes.

Causa: As portas e janelas dilataram devido à humidade.

Solução: Ajuste as dobradiças das portas e janelas; se necessário, lixe a porta ou janela de forma a ficar mais estreita.



Desejamos-lhe total sucesso com a instalação da casa de jardim e muita alegria com esta casa por muitos anos!

1 Všeobecné informace



Vážený zákazníku,

Jsme rádi, že jste se rozhodl pro náš zahradní domek!

Před započítím instalace domku se důkladně seznamte s montážním návodem! Vyhnete se tak problémům a zabráníte časovým ztrátám.

Doporučení:

- Stavebnici domku skladujte až do kompletního dokončení na suchém místě, ale nikoliv přímo na zemi, a tak, aby byla stavebnice chráněna před vlivem počasí (vlhkost, slunce, atd.). Stavebnici domku neskladujte ve vytápěné místnosti!
- Při výběru stanoviště pro zahradní domek dbejte na to, aby domek nebyl vystaven vlivům extrémního počasí (oblasti se silným sněžením nebo větrem); v opačném případě byste měl domek osadit na základovou desku (např. pomocí kotev).



Záruka

Váš domek je vyroben z vysoce kvalitního smrku (severský smrk) a dodán v přírodní podobě. Pokud i přes naši důkladnou kontrolu dojde k reklamaci, prosím předložte vašemu prodejci vyplněný kontrolní list a nákupní fakturu k výrobku.

Pozor: Uschovejte prosím průvodní dokumentaci dodávanou s domkem! Kontrolní list obsahuje kontrolní číslo domku. Reklamaci můžeme přijmout jen tehdy, pokud předložíte prodejci kontrolní číslo domku!

Záruka se nevztahuje na:

- Zvláštnosti dřeva jako přírodního materiálu
- Dřevěné detaily již opatřené povrchovou úpravou (ošetřeno ochranným prostředkem na dřevo, impregnace)
- Dřevěné detaily (komponenty), které neohroží stabilitu domku
- Změny barevných odstínů způsobené rozdíly struktury dřeva, které nemají vliv na životnost dřeva
- Dřevěné detaily obsahující drobné praskliny / mezery (způsobené vysycháním), které nejsou průchozí a nemají vliv na konstrukci domku
- Dřevěné detaily, pokud však mohou být instalovány
- Střešní a podlahové desky, které mohou mít na zakrytém povrchu dílčí neohoblované plochy, barevné rozdíly a smrštění
- Reklamacie vyplývající z neodborného způsobu instalace domku či případy, kdy si domek sedá v důsledku neodborného provedení základů
- Reklamacie způsobené neoprávněnými změnami na domku, jako je následná deformace dřevěných detailů a dveří / okna kvůli neodbornému způsobu zpracování dřeva, příliš těsné upevnění zavětrování, přišroubování zárubní na stěnové trámy, atd.

Oprávněně uplatněná reklamacie je vyřešena nahrazením nedodaného/ vadného materiálu. Veškeré ostatní nároky jsou vyloučeny!



Zahradní domek – povrchové úpravy a údržba

Dřevo je přírodní materiál, roste a přizpůsobuje se v závislosti na povětrnostních podmínkách. Velké i malé praskliny, rozdíly a změny barevného odstínu, stejně jako měnící se struktura dřeva nejsou vady, ale výsledky růstu dřeva a zvláštností dřeva jako přírodního materiálu.

Neopracované a neošetřené dřevo (kromě základových trámů) podléhá šednutí, jakmile je i kratší dobu ponecháno bez ochrany, a také může modrat a plesnivět. K ochraně dřevěných detailů u vašeho zahradního domku musíte okamžitě přistoupit k povrchové ochraně dřeva.

Doporučujeme, abyste předem opatřili podlahová prkna bezbarvou impregnací dřeva, zejména pak spodní strany desek, ke kterým, jakmile je chatka sestavena, již nebude přístup. Pouze tento krok zabrání pronikání vlhkosti.

Také rozhodně doporučujeme, abyste předem opatřili dveře a okna impregnací dřeva, a to jak vnitřní, tak i venkovní stranu! Jinak se dveře a okna mohou začít kroutit.

Po dokončení montáže domku doporučujeme nátěr pro definitivní vrchní ochranu proti povětrnostním vlivům, který bude chránit dřevo před vlhkostí a UV zářením.

Při natírání používejte co nejkvalitnější nástroje a barvy, postupujte podle návodu od výrobce k nanášení nátěrové hmoty a podle bezpečnostních pokynů výrobce a návodu k použití. Nikdy nezačínajte natírání povrchu v silném slunečním světle nebo během deštivého počasí. Poradte se s odborníkem o nátěrových hmotách vhodných pro nepracované měkké dřevo a postupujte podle pokynů výrobce nátěrové hmoty.

Po správném provedení povrchové úpravy se životnost vašeho zahradního domku podstatně zvýší. Doporučujeme vám důkladně jednou za šest měsíců domek překontrolovat.

2 Příprava k montáži

Nástroje a příprava komponentů

Pro sestavení zahradního domku budete potřebovat následující nástroje:



montážní podpěry



žebřík



kladivo



vodováha



šroubovák



pila



nůž



metr



kleště



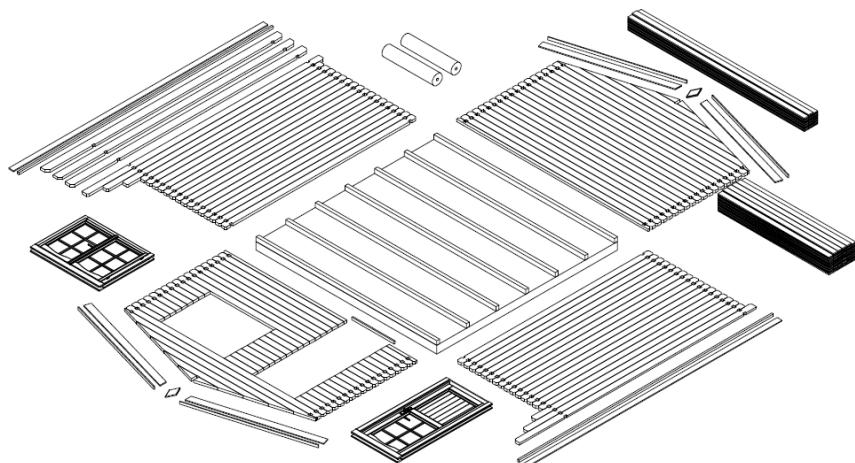
vrtačka

DOPORUČENÍ: Aby se zabránilo zadření třísky, doporučujeme během montáže nosit odpovídající ochranné rukavice.

Příprava komponentů:

Roztřídte komponenty podle výkresů stěn (viz technická specifikace) a umístěte je po všech čtyřech stranách domku podle pořadí montáže.

POZOR: Nikdy nepokládejte komponenty přímo na trávu nebo zablácený povrch, protože později bude velmi obtížné nebo dokonce nemožné je vyčistit!



Základy

Kvalitní základová plocha je nejdůležitějším předpokladem k zajištění životnosti a bezpečnosti vašeho domku. Jen zcela rovné, únosné a v pravém úhlu položené základy zajistí bezproblémovou montáž domku, jeho stabilitu a zejména lícování dveří. S dobrým základem bude váš domek stát mnohem déle.

Připravte základy tak, aby jejich horní hrana sahala od země do výšky alespoň 5 cm. Zároveň se ujistěte, že jsou k dispozici dostatečné otvory pro vzduch pod podlahou domku pro větrání.

Doporučujeme následující možnosti založení:

- Kontinuální nebo bodové
- Betonové nebo panelové základy
- Lité betonové lože

Připravte základy tak, aby základové nosníky byly na každé straně v rozteči max. 50-60 cm. Problematiku doporučujeme konzultovat s odborníkem nebo nechat základ zhotovit odborníkem.

3 Montáž zahradního domku

Pozor:

- Sestava také obsahuje 2–3 zatlukací bloky (profil stěny cca 20–30 cm dlouhé).

Všechny výše uvedené údaje NEJSOU uvedeny ve specifikaci.

- U výkresů jsou detaily označené třímístným číslem pozic. Přesnou pozici těchto detailů, které mají třetí číslici "x", lze nalézt ve specifikaci seznamu.

Návod k montáži – Čeština

Základový rám (Základové nosníky)

Základový rám domku musí být zcela rovný a vodorovný, aby se zajistilo, že montáž proběhne bez problémů.

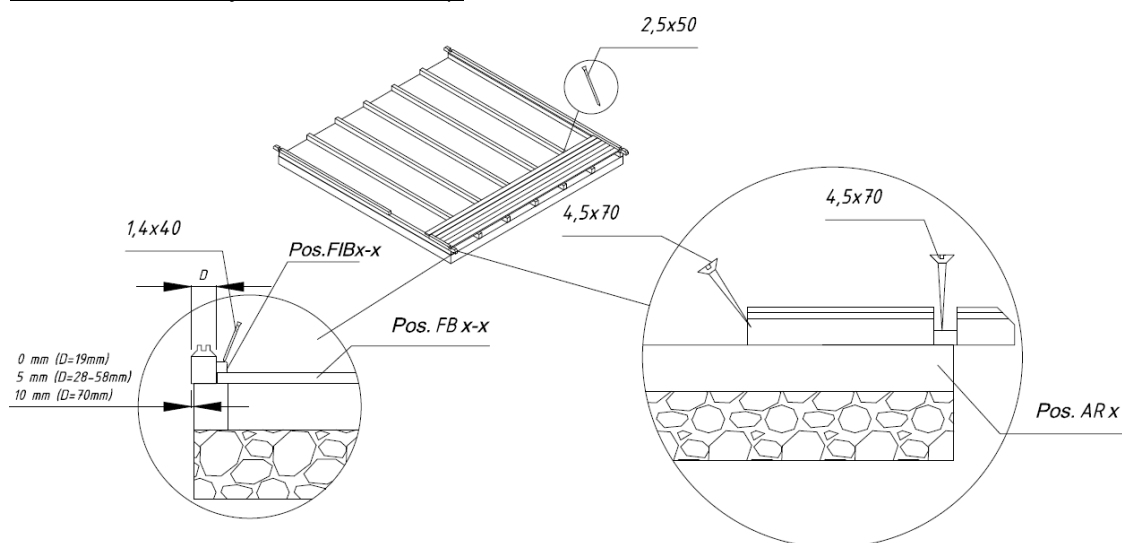
POZOR: Různé domky mohou mít různé rozmístění základů – viz příložený výkres základového rámu (viz Technické specifikace)!

Umístěte impregnované základové nosníky na připravený základ v souladu s výkresem a ve stejných odstupech. Před sešroubováním se ujistěte, že trámy jsou umístěny vodorovně a do pravého úhlu.

DOPORUČENÍ: Doporučuje se umístit mezi základové nosníky a základy izolaci nepropouštějící vlhkost, která bude chránit domek před vlhkostí a degradací.

DOPORUČENÍ: Pro zajištění ochrany před větrem a bouří se doporučuje připojit základové nosníky na základ (k tomu můžete použít například kovové úhelníky, kotvy, atd..). Příslušné materiály nejsou v dodávané soupravě zahrnuty!

Instalace základových trámů nosníků):



Stěny

Při instalaci stěn je důležité mít na paměti, že:

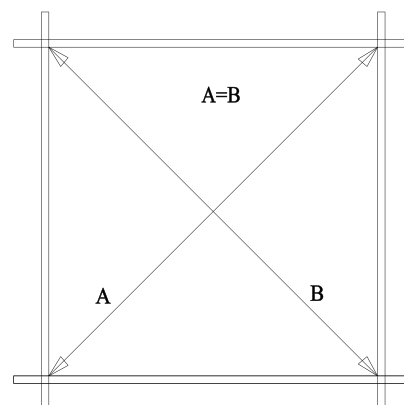
- Trámy jsou vždy spojené s čepem (perem) nahoru!
- V případě potřeby použijte zatlukací blok a kladivo! Nikdy se nesmí přímo tlouci na čep kladivem!

Nainstalujte stěny v souladu s příloženými výkresy stěn (viz Technická specifikace).

Nejdříve položte na správné místo půlkulaté trámy přední a zadní stěny a připevněte je šrouby k základovým nosníkům. Poté se montují trámy boční stěny. Ujistěte se, že první vrstva kulatiny přesahuje přes základové nosníky: kulatina musí přesahovat nosník o asi 3–5 mm. Takto se chrání domek před vlhkostí, neboť se umožní volný odtok dešťové vody do půdy.

POZOR: Po první vrstvě kulatiny musí být změřena délka úhlopříčky a je-li to nezbytné, musí být trámy položeny znovu. Pouze v případě, že délky úhlopříček jsou úplně stejné, je základový rám obdélníkové tvaru a trámy (kulatiny) můžete vzájemně smontovat.

První vrstva kulatiny:



Návod k montáži – Čeština

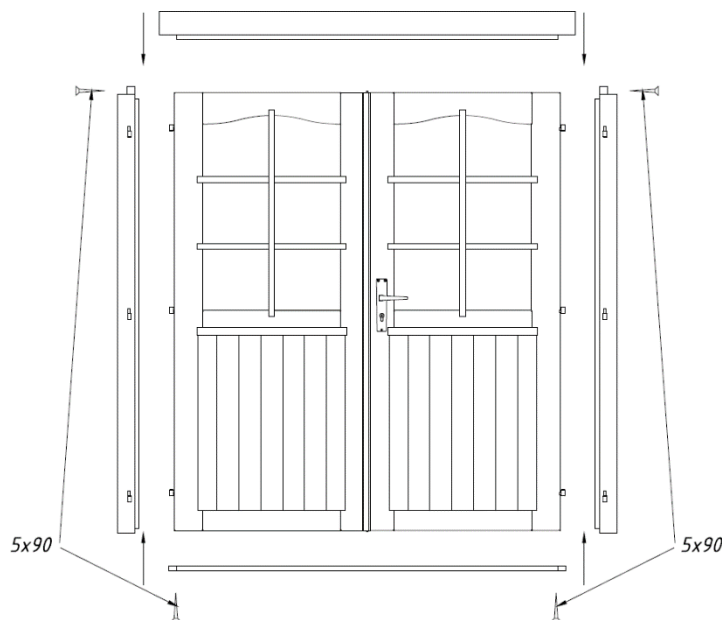
Pokračujte v instalaci stěn, přitom pevně zatlačte stěnovou kulatinu do sebe. Pokud je to nutné, použijte zatlukací blok a kladivo. Zároveň musí být započato s instalací dveří a oken. Instalace dveří musí být bezpodmínečně zahájena po páté až šesté vrstvě trámů.

Dveře a okna

Zárubně:

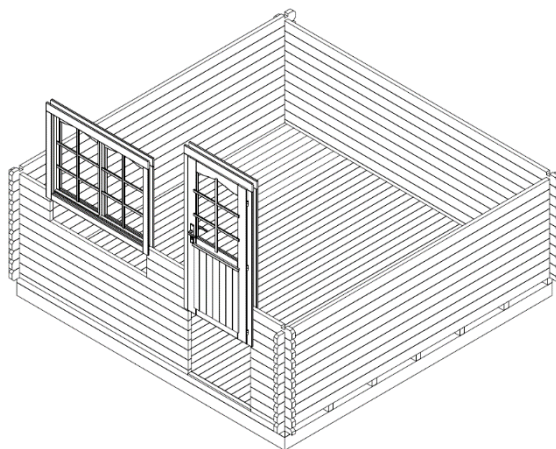
- Pokud se jedná o dvoukřídlé dveře, zárubně jsou dodávány v samostatných částech kvůli požadavkům na přepravu a budete muset začít tím, že je smontujete.
- K tomu rozložte a rozmístěte 4 díly rámu a sešroubujte je.
- Ujistěte se, že část rámu s hlubším zářezem je nainstalována směrem nahoru. Boční díly ostění mají závěsy a jsou provedeny jako zrcadlové.
- Dveřní křídla se doporučuje instalovat později.
- Pokud se jedná o jednokřídlé dveře, jsou rám a křídlo dodávány již smontované.

Instalace zárubně (pouze v případě dvojitých dveří !):



Instalace dveří:

Zárubeň se umístí do dveřního otvoru a zatlačí se silou až na spodní trám. Pokud se jedná o dvoukřídlé dveře, umístí se nyní křídla na závěsy. K otevírání a zavírání dveří musí být namontovány klika a zámek (samostatně zabalené).



Instalace okna:

Pokračujte v instalaci stěnové kulatiny, dokud se nedostanete na výšku okna. Výkresy stěn (viz Technická specifikace) ukazují, kolik trámů patří pod okno. Nainstalujte okno podobně jako dveře. Stejně jako u dveří zatlačte za použití síly rám okna s oknem do otvoru pro okno až na spodní trám. Ujistěte se, že okno není namontováno naopak (vzhůru nohama).

DOPORUČENÍ: Ujistěte se, že se okna a dveře otevírají ve správném směru. Dveře se vždy otevírají **zevnitř ven**. Otáčivá a sklopná okna se vždy otevírají dovnitř. Otáčivá a závěsná okna se vždy otevírají **směrem ven** (okenní kliky jsou na vnitřní straně).

POZOR: Není nutné upevňovat okna a dveře na stěnové trámy! Přejete-li si to, stačí na to několik šroubů ve spodní části rámu, protože během vysychání si trámy sedají. Konečné nastavení dveří a oken musí být provedeno až 2–3 týdny po instalaci domku, kdy již bude domek přizpůsoben okolnímu prostředí a trámy budou definitivně usazeny.

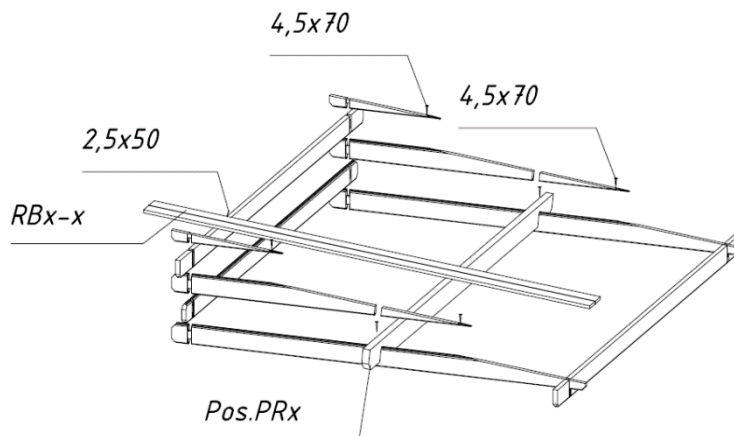
Štít

Ve většině případů se štít dodává v jednom kuse (Pozor: v některých variantách domku může štít obsahovat několik částí. V tomto případě musí být tyto části sešroubovány ještě před montáží!). Po instalaci posledních stěnových trámů umístěte štít na přední a zadní stěnu a připojte je pomocí šroubů.

Štíty mají zářezy na krokve. Krokve mají také odpovídající zářezy, zajišťující že střecha bude umístěna pevně a na správném místě.

Nyní umístěte krokve do Montáže krovy: odpovídajících zářezů ve štítech.

Ujistěte se, že horní stěnový trám, štíty a krokve jsou vyrovnány. Po upevnění krokví je našroubujte shoran a štít.



POZOR: Pokud nejsou stěnové trámy řádně natlačeny na sebe bez mezer, nebude horní stěnový trám na stejné úrovni se štíty. V tomto případě byste měli poklepem zatlačit stěnové trámy podle potřeby dolů, nebo ohoblovat štít či bočnici na o něco nižší rozměr.

Střecha

Před instalací střešní desek se ujistěte, že je domek umístěn naprosto vodorovně. Použijte vodováhu a překontrolujte všechny stěny.

Pozor: Při montáži střechy použijte stabilní žebřík. Nevstupujte na střechu, neboť její konstrukce udrží pouze rovnoměrné zatížení (sníh, vítr, atd..), ale nikoli bodové!

Začněte instalací střešních desek **od předního okraje střechy**. Na desky lehce poklepávejte a upevňujte je shora i zdola hřebíky do krokví a na horní střešní trám (kulatinu).

Pozor: Netlačte střešní desky příliš těsně na sebe, vyhněte se tak vytváření vlhkosti! Odstup mezi deskami má být asi 1 mm, aby se umožnilo roztahování.

- Během celého procesu instalace střešních desek se ujistěte, že hřebenové krokve lícují a že okapové strany desek přesahují ve stejné vzdálenosti. Překontrolujte to pomocí lana nebo boční okapové latě, kterou můžete nainstalovat pro účely kontroly.
- Střešní desky musí lícovat s konci krokví vpředu i vzadu. Pokud je to nutné, odřežte poslední střešní desky a zužte je tak, aby lícovaly s konci krokví.

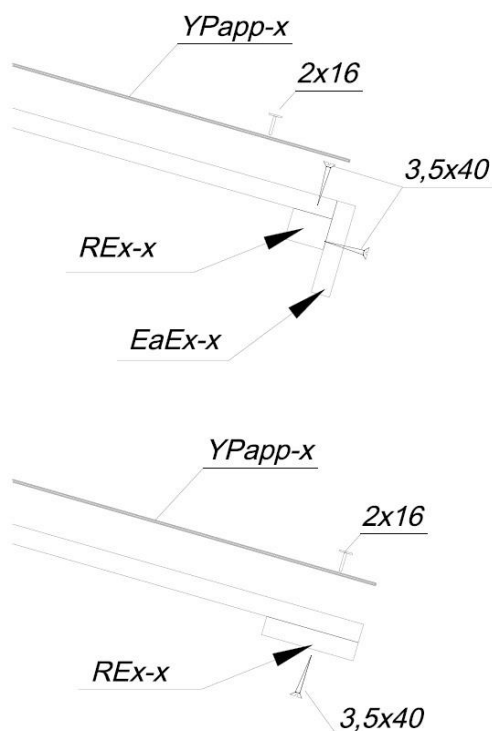
Návod k montáži – Čeština

Po instalaci střešní desky musí být namontována krytinová lepenka a zakončovací latě.

Tabulka materiálu uvádí, zda jsou u této varianty domku součástí materiálu střešního pláště i krytinová lepenka a zakončovací latě!

Nejdříve musí být pod konci střešních desek zašroubovány okrajové výtzuhy střechy a okapové hrany. Poté nainstalujte střešní krytinu.

Montáž zakončovacích latí:



Střešní krytina (Poznámka: v některých variantách domku nemusí být obsažena!)

Uřízněte krytinovou lepenku podle délky střechy do příslušných rozměrů a začněte ji pokládat rovnoběžně s dolním okrajem střechy a postupujte směrem k vrcholu a pokládejte pruhy ve směru od zadní k přední stěně. Krytina by měla přesahovat okraje o cca 2– 4 cm. Krytinu upevněte na střešní desky pomocí dodávaných hřebíků na lepenku v rozteči cca 15 cm. Ujistěte se, že se pásy krytinové lepenky překrývají v šířce nejméně 10 cm.

Podlaha

Podlahové desky můžete nainstalovat pouze v případě, že domek je již kompletně postaven. Tím se zabrání jejich zbytečnému znečištění.

Položte podlahová prkna na základový rám, lehce je poklepejte proti sobě a přitlučte je hřebíky k základovým nosníkům. Pokud je to nutné, uřežte poslední desku na vhodnou šířku.

Poslední operací je montáž podlahových lišt na pokrytí mezery mezi podlahou a stěnami. Pokud je to nutné, zkratěte podlahové lišty na vhodnou délku.

Pozor: V závislosti na klimatu a umístění domku se mohou palubky roztahovat nebo smršťovat. Pokud jsou podlahové desky velmi suché, zatímco klima je vlhké, absorbují se snadno vlhkost. V tomto případě nesmí být podlahová prkna připevněna příliš hustě, aby se zabránilo vydouvání.

Pamatujte na mezeru (1–2 mm) mezi podlahovými prkny, aby se kompenzovalo roztahování. Ale pokud je klima teplé a suché, můžete nainstalovat desky hustě, protože budou dále vysychat a prostor mezi nimi se zvětší.

Zavětrovací výztuhy (Poznámka: v některých variantách domku nejsou obsaženy!)

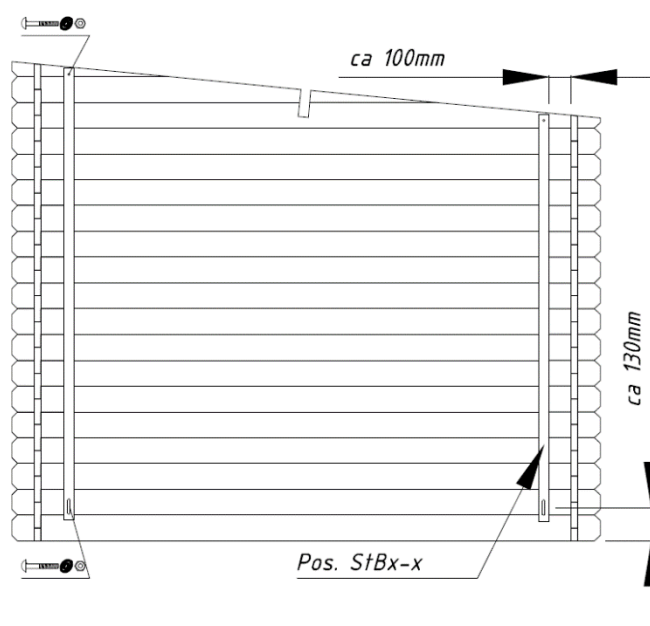
Připevněte zavětrovací výztuhy (jsou-li součástí dodávky) na vnitřní stranu přední (2 ks) a zadní (2 ks) stěny pomocí dodaných šroubů. Je důležité, aby trámy byly provrtány předem. Dodržujte prosím vzdálenosti uvedené na výkrese tak, aby nedocházelo k problémům v důsledku roztahování nebo vysychání dřeva.

DOPORUČENÍ: Ujistěte se, že zavětrovací výztuhy jsou připevněny k trámu štítu shora a do poloviny prvního trámu o plné délce odspodu. Pokud je to nutné, zkraťte horní konec zakončovacích latí.

Nedotahujte šrouby příliš pevně, aby se dřevo mohlo roztahovat nebo sesychat.

Jakmile se domek usadí, měli byste jeho konstrukční prvky upravit, aby se mohly usadit i stěnové trámy.

Instalace zavětrovacích výztuh:



Všeobecná doporučení:

Problém: *Mezi stěnovými trámy se objevují mezery*

Příčina: K domku jsou připojeny další komponenty, které nedovolují, aby se dřevo mohlo roztahovat nebo sesychat.

Řešení: Pokud jsou dveře / okna připojena ke stěnám šrouby / hřebíky, musí být tato upevnění odstraněna;

Pokud je zavětrovací výztuha přišroubována příliš těsně, uvolnit její upevnění;
Pokud jsou okapové svody (dešťová voda) nainstalovány na stěně, uvolnit jejich upevnění;

Problém: *Dveře a okna váznou.*

Příčina: Domek / základy si sedly.

Řešení: Zkontrolujte, zda domek stojí vodorovně. Překontrolujte základové nosníky a zdi.

Příčina: Dveře a okna se zvětšily kvůli vlhkosti.

Řešení: Nastavte dveřní a okenní závěsy, popřípadě ohoblujte dveře nebo okna.



Přejeme Vám mnoho úspěchů s montáží zahradního domku a hodně potěšení s tímto domkem po mnoho let!

1 Informacje ogólne



Szanowny kliencie,

Cieszymy się, że zdecydowali się Państwo na zakup naszego domku ogrodowego.

Przed rozpoczęciem montażu należy dokładnie zapoznać się z instrukcją. Przestrzeganie instrukcji pozwoli uniknąć problemów i zaoszczędzi czas.

Zalecenia:

- Przed montażem domku opakowanie należy przechowywać w suchym miejscu, nie bezpośrednio na ziemi i zabezpieczone przed wpływem warunków atmosferycznych (wilgocią, słońcem, itp.) Nie należy przechowywać opakowania z domkiem w pomieszczeniu ogrzewanym!
- Przy wyborze miejsca na domek należy sprawdzić, czy domek nie będzie narażony na wpływ ekstremalnych warunków pogodowych (obfite opady śniegu lub silne wiatry). W przeciwnym razie należy go przytwierdzić (np. za pomocą kotew) do podłoża.



Gwarancja

Dom wykonano z wysokiej jakości jodły i sprzedawany w stanie surowym (nie zaimpregnowanym). Jeśli, pomimo naszych dokładnych inspekcji, będą Państwo niezadowoleni z produktu, prosimy o wypełnienie karty kontrolnej i zwrócenie jej producentowi wraz z dowodem zakupu.

UWAGA: Należy zachować całą dokumentację załączoną do opakowania domku. Numer kontrolny domu znajduje się na karcie kontrolnej. Zajmujemy się wyłącznie reklamacjami, do których dołączono numer seryjny domku!

Gwarancja nie obejmuje:

- Osobliwości drewna jako surowca naturalnego
- Pomalowanych części drewnianych (zabezpieczonych środkiem ochrony drewna)
- Elementów drewnianych zawierających całe gałęzie, które nie zagrażają stabilności domu
- Różnicy w odcieniach koloru spowodowanej różną strukturą drewna, która nie wpływa na żywotność drewna
- Elementów drewnianych z drobnymi pęknięciami, szczelinami (spowodowanymi wysychaniem), które nie wpływają na strukturę domku
- Skręceń elementów drewnianych, które nie przeszkadzają w montażu
- Położonych w niewidocznym miejscu nieostruganych połączeń, różnic w kolorze ani ubytków płyt dachowych i podłogi
- Reklamacji wynikających z niewłaściwego montażu domku ani osiadania domku wskutek niewłaściwie położonego fundamentu
- Reklamacji usterek powstałych na skutek własnoręcznie wprowadzonych zmian konstrukcji, takich jak: odkształcenia elementów drewnianych lub drzwi/okien spowodowane niewłaściwym impregnowaniem drewna, zbyt sztywne przymocowanie zawiasów, ościeżnic przykręconych do ściany z bali, itp.

Reklamacje usterek objętych gwarancją uwzględniają wymianę wadliwych/uszkodzonych części. Inne roszczenia nie będą uwzględniane.



Malowanie i konserwacja domku ogrodowego

Drewno jest surowcem naturalnym, który ulega zmianom w zależności od warunków atmosferycznych. Drobne lub większe spękania, różnice w odcieniu oraz zmiany struktury nie są wadami, ale skutkiem wzrostu i specyfiki drewna jako surowca naturalnego.

Drewno nieobrobione (za wyjątkiem legarów fundamentowych) z czasem szarzeje, może przybrać barwę niebieską i zacząć pleśnieć. Aby zabezpieczyć drewniane elementy domku ogrodowego należy je jak najszybciej zabezpieczyć środkiem ochrony drewna.

Zalecamy wcześniejsze pomalowanie płyt podłogowych bezbarwnym impregnatem do drewna, szczególnie spodniej strony płyt, do których nie będzie dostępu po złożeniu całego domu. Jest to jedyny sposób na uniknięcie przenikania wilgoci.

Zdecydowanie zalecamy także pomalowanie drzwi i okien impregnatem do drewna, zarówno w środku jak i na zewnątrz. W przeciwnym razie drzwi i okna mogą się wyginać.

Po zakończeniu montażu zalecamy ostateczne pokrycie domku farbą o podwyższonej wytrzymałości na warunki atmosferyczne, która ochroni drewno przed wilgocią i promieniowaniem UV.

Do malowania należy używać wysokiej jakości narzędzi i farb, przestrzegać instrukcji producenta farby dotyczących malowania, bezpieczeństwa i użytkowania. Nigdy nie maluj powierzchni w pełnym słońcu ani w deszczu. W celu doboru farby odpowiedniej do miękkiego drewna nieobrobionego skonsultuj się ze specjalistą i przestrzegaj instrukcji producenta farby.

Żywotność domku znacznie wzrasta po właściwym pomalowaniu. Zalecamy dokonywanie dokładnego przeglądu domku co sześć miesięcy.

2 Przygotowanie do montażu

Narzędzia oraz przygotowanie elementów

Do montażu domku ogrodowego potrzebne są:



Przyrząd montażowy



drabina



młotek



poziomica



śrubokręt



piła



nóż



taśma miernicza



kombinerki



wiertarka

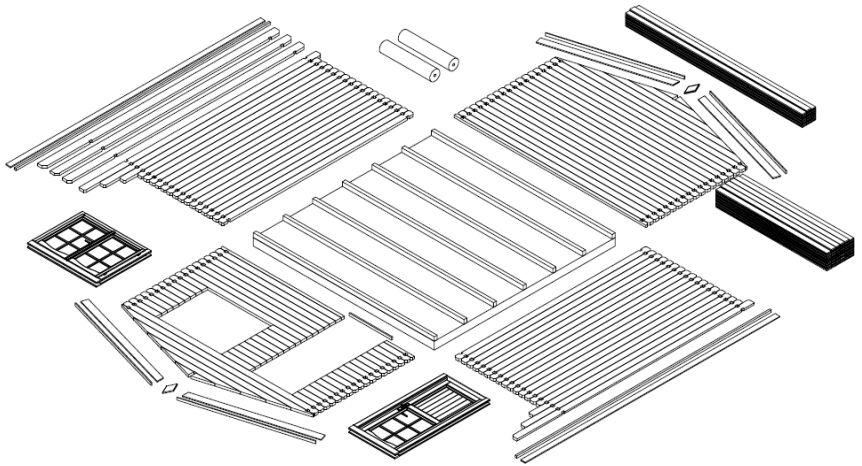
WSKAZÓWKA: Na czas montażu zalecamy ubranie rękawic ochronnych, aby uniknąć skaleczeń drzazgami.

Instrukcja montażu - Polski

Przygotowanie elementów:

Posegregować elementy zgodnie z planami ścian (patrz Specyfikacja techniczna) i umieścić je po czterech stronach domku według sekwencji instalacji.

UWAGA: Nigdy nie umieszczać elementów bezpośrednio na trawie lub błotnistej powierzchni, ponieważ może to utrudnić lub uniemożliwić ich wyczyszczenie!



Fundament

Odpowiedni fundament to najważniejszy aspekt zapewniający długotrwałość i bezpieczeństwo domu. Jedynie całkowicie równy, prostokątny i wytrzymały fundament zapewni bezproblemową instalację domu, jego stabilność, a w szczególności możliwość dopasowania drzwi. Dzięki odpowiedniemu fundamentowi dom przetrwa więcej lat.

Przygotować fundament w taki sposób, by jego górna krawędź wystawała nad ziemię na wysokość przynajmniej 5 cm. Jednocześnie należy upewnić się, że pod podłogą domku znajduje się odpowiednia ilość otworów zapewniających wentylację.

Zalecamy następujące rozwiązania:

- Ława fundamentowa lub szklanki betonowe
- Fundament z betonu lub płyt chodnikowych
- Wylewka betonowa

Przygotować fundament w taki sposób, by legary były podparte po każdej stronie, z przerwami nieprzekraczającymi 50-60 cm.

Należy zasięgnąć opinii eksperta w tej dziedzinie lub zamówić wykonanie fundamentu u specjalisty.

3 Instalacja domku ogrodowego

UWAGA:

- Pakiet zawiera również 2-3 oznaczonych klocków do uderzania młotkiem (profil ściany o długości około 20-30 cm).

Wspomniane powyżej detale NIE ZNAJDUJĄ SIĘ na liście specyfikacji.

Na rysunkach detale oznaczono trzycyfrowymi numerami poszczególnych pozycji. Dokładne pozycje detali posiadających "x" jako trzecią liczbę znajdują się na liście specyfikacji.

Instrukcja montażu - Polski

Rama podstawy (legary fundamentu)

Rama podstawy domu musi być całkowicie płaska i równa, by zapewnić prawidłową instalację.

UWAGA: dla różnych domów konieczne może być odmienne rozmieszczenie fundamentów - patrz załączony rysunek ramy podstawy (w Specyfikacji technicznej)!

Zgodnie z rysunkiem umieścić zaimpregnowane legary fundamentów na przygotowanym fundamencie w równych odstępach. Przed skręceniem legarów upewnić się, że są wyrównane i prostokątne.

PORADA: Zaleca się umieszczenie przeciwwilgociowej warstwy izolacyjnej pomiędzy legarami i fundamentem, by ochronić dom przed wilgocią i niszczeniem.

PORADA: By zapewnić ochronę przed wiatrem i nawałnicami, zaleca się przymocowanie legarów do fundamentu (można do tego użyć np. metalowych kątowników lub kotew, itd.). Przeznaczone do tego materiały nie zostały zawarte w dostarczonym zestawie!

Instalacja legarów:



Ściany

Podczas instalowania ścian należy pamiętać, że:

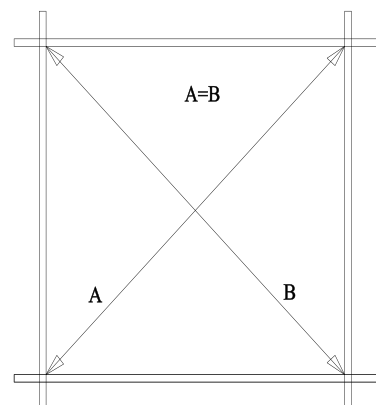
- Belki należy zawsze instalować wypustkami skierowanymi w górę!
- W razie konieczności skorzystać z klocka i młotka! Nigdy nie uderzać wypustek bezpośrednio młotkiem!

Zainstalować ściany zgodnie z załączonymi planami ścian (patrz Specyfikacje techniczne).

Najpierw umieścić połowę belek ściany przedniej i tylnej we właściwym miejscu oraz przymocować je śrubami do legarów. Następnie zainstalować belki ścian bocznych. Upewnić się, że pierwsza warstwa belek nieznacznie wystaje ponad legary fundamentu - belki powinny wystawać 3-5 mm nad legarami. Umożliwi to ochronę domu przed wilgocią, ponieważ woda deszczowa będzie mogła swobodnie spływać na ziemię.

UWAGA: Po zainstalowaniu pierwszej warstwy belek zmierzyć przekątne i w razie konieczności zainstalować belki ponownie. Jedynie przekątne o jednakowej długości mogą utworzyć prostokątną ramę podstawy, co umożliwi połączenie belek.

Pierwsza warstwa belek:



Instrukcja montażu - Polski

Kontynuować instalację ścian mocno wciskając jedną belkę w drugą. W razie konieczności skorzystać z klocka i młotka. Jednocześnie należy pamiętać, by rozpocząć instalację od drzwi i okien. Należy rozpocząć instalację drzwi po umieszczeniu 5-6 warstw belek.

Okna i drzwi

Futryna:

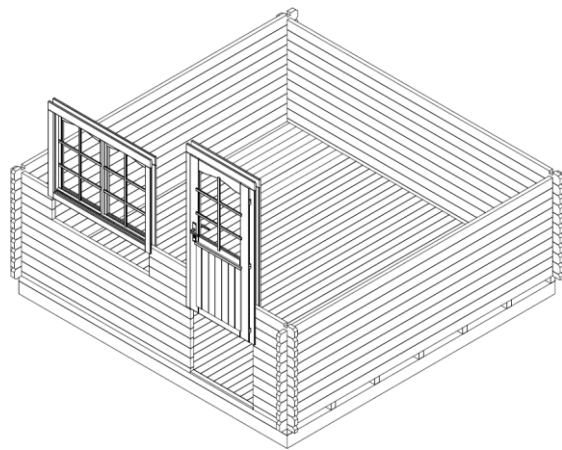
- W przypadku drzwi dwuskrzydłowych futryna zostanie dostarczona w oddzielnych częściach ze względu na ograniczenia transportowe. Należy rozpocząć od jej złożenia.
- By to zrobić, należy złożyć 4 części futryny i skręcić je ze sobą.
- Upewnić się, że część framugi z głębszym rowkiem odwrócona jest ku górze. Części ościeżnicy poziomej mają zawiasy i posiadają lustrzane odbicie.
- Zaleca się instalację skrzydła drzwi w późniejszym czasie.
- W przypadku drzwi jednoskrzydłowych ościeżnica i skrzydło dostarczane są w postaci zmontowanej.

Instalacja futryny (konieczna tylko w przypadku drzwi dwuskrzydłowych!):



Instalacja drzwi:

Futryna umieszczana jest w utworzonej szczelinie i wciskana z siłą na dolną belkę. W przypadku drzwi dwuskrzydłowych, umieścić skrzydła na zawiasach już w tym momencie. By zamykać i otwierać drzwi, zamontować oddzielnie zapakowany zamek i klamkę.



Instalacja okien:

Kontynuować instalację belek ściany aż do wysokości okna. Plany ściany (patrz Specyfikacja techniczna) pokazują, liczbę belek, które należy umieścić pod oknem. Zainstalować okna w sposób podobny do drzwi. Tak samo jak w przypadku drzwi, używając siły należy wcisnąć ramę okna z oknem w przeznaczony do tego otwór w dolnej belce. Upewnić się, że okno nie jest zamocowane odwrotnie (do góry nogami).

PORADA: Należy upewnić się, że drzwi i okna otwierają się we właściwym kierunku. Drzwi zawsze otwierają się od **na zewnątrz**. Okna obrotowo-uchylne otwierają się **do wewnątrz**. Okna obrotowe i przesuwne otwierają się **na zewnątrz** (uchwyty okienne są wewnątrz).

Instrukcja montażu - Polski

UWAGA: Przymocowywanie drzwi i okien do belek ścian nie jest konieczne! W przypadku potrzeby mocowania, wystarczy przymocować je przy użyciu kilku śrub w dolnej części ramy, ponieważ belki będą się obniżyć w miarę wysychania.

Można finalnie dopasować drzwi i okna dopiero po 2-3 tygodniach od zainstalowania domu, gdy dom dostosuje się do warunków pogodowych, a belki osiadną.

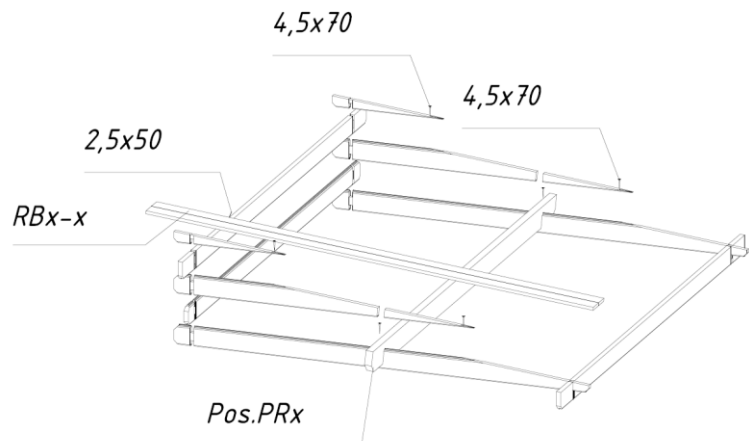
Szczyt

W większości przypadków szczyt dostarczany jest w jednej części (uwaga: w niektórych domach szczyt może składać się z kilku części! W takim przypadku części muszą zostać skrócone przed wykonaniem innych czynności). Po zainstalowaniu ostatnich belek ścian, umieścić szczyt na przednich i tylnych ścianach i przymocować go śrubami.

Szczyty mają wcięcia na krokwie. Krokwie również mają odpowiednie wcięcia, umożliwiające pewne umieszczenie dachu w odpowiednim miejscu.

Umieścić krokwie w odpowiednich Instalacja krokwi: wcięciach szczytów.

Upewnić się, że belka górnej ściany, szczyty i krokwie są wyrównane. Po umiejscowieniu krokwi, przykręcić je od góry do szczytu.



UWAGA: Jeśli belki ściany nie są odpowiednio dociśnięte do siebie, bez żadnych szczelin, górna belka ściany może nie znaleźć się na poziomie szczytów. W takim przypadku należy stukać w belki ściany według potrzeby lub umieścić szczyt lub belkę ściany bocznej niżej.

Dach

Przed zainstalowaniem desek dachowych upewnić się, że dom jest całkowicie wyrównany. Skorzystać z poziomicy wodnej, by sprawdzić wszystkie ściany.

UWAGA: Po umieszczeniu dachu skorzystać ze stabilnej drabiny. Nie wchodzić na dach, ponieważ struktura może utrzymać jedynie równomierne rozłożenie ciężaru (śnieg, wiatr, itd.), a nie obciążenie punktowe!

Rozpocząć instalację desek dachowych od **przedniej krawędzi dachu**. Delikatnie stukać w deski i przytwierdzić je gwoździami od góry i dołu do krokwi oraz górnej części ściany.

UWAGA: Nie dociskać desek dachowych zbyt mocno, by uniknąć powstawania wybrzuszeń powodujących gromadzenie się wilgoci. Pozostawić przerwę pomiędzy deskami wynoszącą około 1 mm, by umożliwić napuchnięcia.

- Podczas instalowania desek dachowych upewnić się, że wierzchołki krokwi nachodzą na siebie, a boki okapu dachu wystają na jednakową odległość. Należy to sprawdzić przy użyciu liny lub bocznej listwy okapu dachu, która może zostać zainstalowana dla weryfikacji.

Instrukcja montażu - Polski

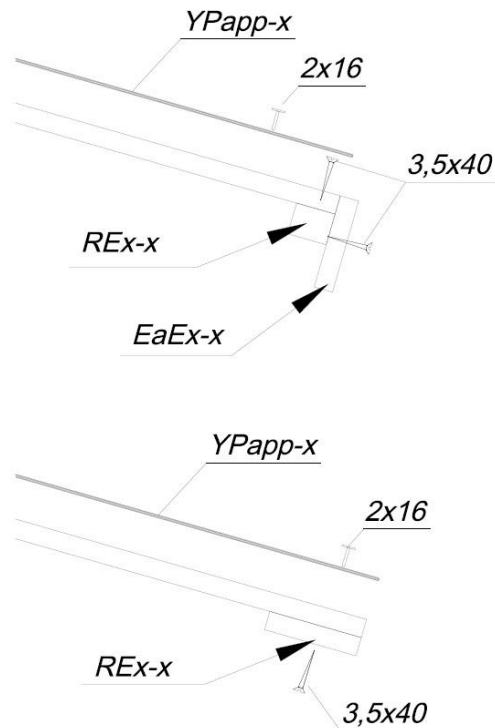
- Deski dachowe muszą być równe z końcami krokwi z przodu i z tyłu. W razie konieczności wąsko przyciąć piłą ostatnie belki dachu, by wyrównały się z krokwią.

Po zainstalowaniu desek dachowych należy przymocować papę bitumiczną oraz łąty dachowe.

W tabeli elementów pokazano czy do danego domu dołączono materiał pokrywający dach oraz łąty!

Najpierw przykręcić śrubą wzmocnienia krawędziowe dachu oraz krawędzie listwy okapu pod końcami desek dachowych. Następnie zainstalować materiał pokrywający dach.

Instalacja łąt dachowych:



Materiał pokrywający dach (Uwaga! Nie jest dołączony do wszystkich rodzajów domów!)

Pociąć papę bitumiczną na kawałki zgodnie z długością dachu, a następnie mocować je równolegle do dolnej krawędzi dachu, przesuwając się w stronę wierzchołka i umieszczając kawałki papy w kierunku od ściany tylnej do przedniej. Papa powinna wystawać poza krawędź na około 2-4 cm. Przymocować papę bitumiczną do desek dachowych za pomocą gwoździ do papy, zachowując odległość wynoszącą około 15 cm. Upewnić się, że kawałki papy nachodzą na siebie co najmniej na szerokość 10 cm.

Podłoga

Dopiero po zakończeniu instalacji domu można zamontować deski podłogowe, co pozwoli uniknąć niepotrzebnego zabrudzenia podłogi.

Umieścić belki podłogowe na ramie podstawy, delikatnie je postukać, a następnie używając siły, przybić gwoździami do legarów fundamentu. W razie konieczności przyciąć ostatnią deskę podłogową do odpowiedniej szerokości.

Ostatnią czynnością jest dopasowanie listw przypodłogowych, by zakryć przestrzeń pomiędzy deskami podłogowymi i ścianami. W razie konieczności przyciąć listwy podłogowe do odpowiedniej szerokości.

UWAGA: W zależności od klimatu panującego w miejscu instalacji domu, deski podłogowe mogą puchnąć lub kurczyć się. Jeśli deski podłogowe są suche, a klimat wilgotny, z łatwością będą pochłaniać wilgoć. W takim przypadku nie należy ciasno mocować desek, by uniknąć powstawania wyrzuseń. Zostawić przestrzeń (1-2mm) pomiędzy deskami podłogowymi, by umożliwić puchnięcie. Jeśli klimat jest ciepły i suchy, można zainstalować deski ciasno, ponieważ będą wysychać i mogą pojawić się między nimi odstępy.

Instrukcja montażu - Polski

Klamry burzowe (Uwaga! Nie są załączone do zestawów w niektórych domach!)

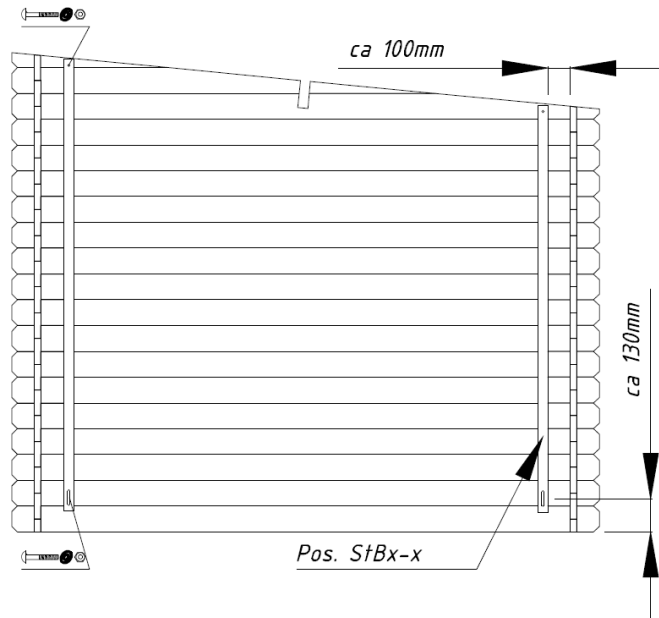
Przymocować klamry burzowe (jeśli znajdują się w dostarczonym zestawie) do wewnętrznych (2 jednostki) i tylnych (2 jednostki) stron ścian za pomocą dostarczonych sworzni. Ważne jest, by belki zostały przewiercone wcześniej. Należy zachować odległości wskazane na rysunku, by nie doszło do powstania problemów spowodowanych puchnięciem lub kurczeniem się drewna.

PORADA: Upewnić się, że klamry burzowe zostały przymocowane od góry do belki na wierzchołku oraz od dołu do środkowej części pierwszej belki ściennej o pełnej długości. W razie konieczności skrócić górne krańce łąt dachowych.

Nie przykręcać śrub zbyt ciasno, by drewno mogło puchnąć lub kurczyć się.

Gdy dom osiadzie, należy dostosować mocowania, by belki ścian mogły również osiąść.

Instalacja klamer burzowych:



Zalecenia ogólne:

Problem: **Pomiędzy belkami ścian pojawiły się przerwy**

Przyczyna: Do domu przymocowane są dodatkowe detale, które nie pozwalają na puchnięcie/kurczenie się drewna.

Rozwiązania: Jeśli drzwi/okna są przymocowane do belek ścian za pomocą śrub/gwoździ, usunąć śruby/gwoździe;
Jeśli klamra burzowa dokręcona jest za ciasno, poluzować jej mocowanie;
jeśli rynny deszczowe zamontowane są na ścianie, poluzować ich mocowanie;

Problem: **Drzwi i okna zablokowały się.**

Przyczyna: Dom/fundament osiadł.

Rozwiązania: Sprawdzić czy poziom domu jest wyrównany. Wyrównać legary fundamentu i ściany.

Przyczyna: Drzwi i okna spuchły pod wpływem wilgoci.

Rozwiązania: Dopasować zawiasy okien i drzwi; a w razie konieczności, przyciąć okno lub drzwi do węższych rozmiarów.



Życzymy udanego montażu i wielu radości z korzystania domu przez wiele lat!

1 Bendroji informacija



Gerb. kliente,

džiaugiamės, kad nusprendėte įsigyti mūsų sodo namelį!

Prieš montuodami namelį, atidžiai perskaitykite surinkimo vadovą! Taip išvengsite problemų ir nešvaistysite laiko veltui.

Rekomendacijos

- Kol namelį visiškai surinksite, jo pakuotę laikykite sausoje vietoje (bet ne tiesiogiai ant žemės), apsaugotoje nuo oro sąlygų (drėgmės, saulės ir pan.). Nelaikykite namelio pakuotės šildomoje patalpoje!
- Rinkdamiesi sodo namelio vietą, įsitikinkite, kad jo neveiks blogos oro sąlygos (nesirinkite vietų, kur stipriai sninga ar pučia stiprus vėjas). Priešingu atveju namelį turite pritvirtinti (pavyzdžiui, tvirtinimo įtaisais) prie podirvio.



Garantija

Jūsų namelis pagamintas iš aukštos kokybės eglės ir yra tiekiamas natūralus (neapdorotas). Jei, nepaisant mūsų kruopštaus patikrinimo, turėtumėte skundų, pateikite užpildytą kontrolinį lapą ir pirkimo sąskaitą faktūrą gaminio pardavėjui.

DĖMESIO: būtinai išsaugokite dokumentus, pateikiamus namelio pakuotėje! Kontrolinis lapas apima namelio kontrolinį numerį. Skundus galime peržiūrėti tik tuo atveju, jei pardavėjui pateikiate namelio kontrolinį numerį!

Garantija netaikoma:

- medienos, kaip natūralios medžiagos, ypatumams;
- jau dažytoms medinėms detalėms (apdirbtoms medienos apsaugos priemone);
- medinėms detalėms, turinčioms šakų, kurios nekelia pavojaus gaminio stabilumui;
- atspalvių pokyčiams, atsirandantiems dėl medienos struktūros skirtumų, kurie neturi įtakos medienos naudojimo trukmei;
- medinėms detalėms, kuriose yra (dėl džiuvimo) mažų įtrūkimų / tarpų, kurie neišnyksta ir neturi įtakos namelio struktūrai;
- susisukusioms medinėms detalėms, jeigu jas vis tiek įmanoma montuoti;
- stogo ir grindų lentoms, kurių paslėptuose paviršiuose gali būti neplanuotų sričių, spalvų skirtumų ir dilimo;
- skundams, atsiradusiems dėl nekompetentingo namelio montavimo būdo arba dėl namelio nusmukimo netinkamai paklojus pamatą;
- skundams, atsiradusiems dėl savavališkų namelio pakeitimų, pvz., medinių detalių ir (arba) durų / langų deformacijos dėl netinkamo medienos apdorojimo būdo, pernelyg standaus nuo audrų saugančių laikiklių pritvirtinimo, durų rėmų priveržimo prie sienos rąstų ir pan.

Skundai, kuriems taikoma garantija, patenkinami pakeičiant turinčią trūkumų / sugedusią medžiagą. Visi kiti reikalavimai nebus patenkinami!



Sodo namelio dažymas ir priežiūra

Mediena yra natūrali medžiaga, auganti ir prisitaikanti pagal oro sąlygas. Dideli ir maži įtrūkimai, atspalvių skirtumai ir pakitimai bei kintanti medienos struktūra nėra klaidos, o medienos augimo rezultatas ir medienos, kaip natūralios medžiagos, ypatumas.

Kurį laiką neliečiama neapdorota mediena (išskyrus pamatų sijas) tampa pilkšva ir gali pradėti mėlynuoti ar netgi pelyti. Kad apsaugotumėte medines savo sodo namelio detales, turite nedelsdami jas apdoroti medienos apsaugos priemone.

Rekomenduojame iš anksto padengti grindų lentas bespalve medienos impregnavimo priemone, ypač apatines lentų puses, kurių surinkę namelį nebesieksite. Tik tokiu būdu užkirsite kelią drėgmės prasiskverbimui.

Taip pat primygtinai rekomenduojame medienos impregnavimo priemone apdoroti duris ir langus tiek iš vidaus, tiek iš išorės! Priešingu atveju durys ir langai gali susisukti.

Surinkus namelį, rekomenduojame užbaigti nuo oro sąlygų apsaugančiais dažais, kurie apsaugos medieną nuo drėgmės ir UV spinduliuotės.

Dažymo darbams atlikti naudokite aukštos kokybės įrankius ir dažus bei laikykitės dažų naudojimo vadovo ir gamintojo saugos bei naudojimo instrukcijų. Niekada nedažykite paviršių stipriai šviečiant saulei arba lyjant lietu. Dėl dažų, tinkamų neapdorotai minkštai medienai, konsultuokitės su specialistu ir laikykitės dažų gamintojo instrukcijų.

Tinkamai nudažius, jūsų sodo namelio naudojimo laikas labai pailgės. Rekomenduojame kas šešis mėnesius kruopščiai patikrinti namelį.

2 Pasiruošimas surinkti

Įrankiai ir komponentų paruošimas

Sodo nameliui surinkti jums reikės šių įrankių:



pagalbinės
priemonės

surinkimo



kopėčios



kūjis



vandeninis gulsčiukas



atsuktuvai



pjūklas



peilis



matavimo juosta



replės



grąžtas

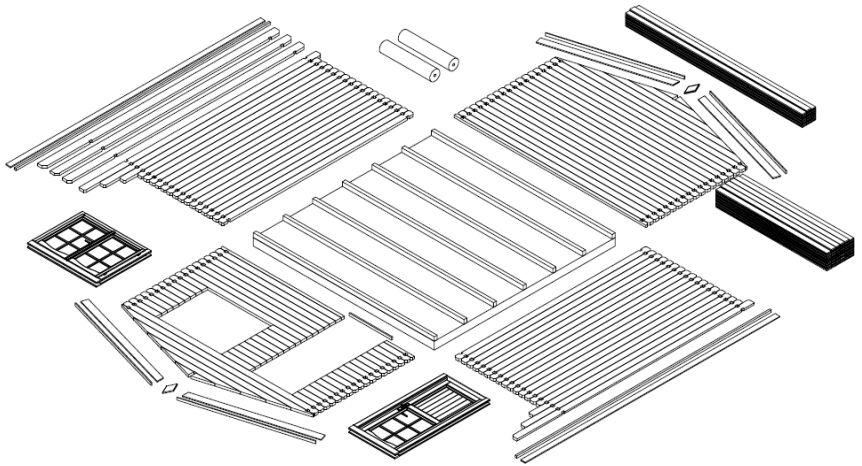
PATARIMAS: kad apsisaugotumėte nuo skeveldrų, rekomenduojame surenkant mūvėti atitinkamas apsaugines pirštines.

Montavimo vadovas – Lietuvių k.

Komponentų paruošimas

Surūšiuokite komponentus pagal sienų planus (žr. „Techninės specifikacijos“) ir išdėliokite juos keturiose namo pusėse pagal montavimo seką.

DĖMESIO. Niekada nedėkite komponentų tiesiai ant žolės ar nešvaraus paviršiaus, nes vėliau juos bus labai sunku ar net neįmanoma nuvalyti!



Pamatai

Gerai pamatai yra svarbiausias aspektas, kuris užtikrina jūsų namo ilgaamžiškumą bei saugumą. Tik visiškai lygus, stačiakampio formos, atraminis pamatas užtikrins sklandų namelio montavimą, jo stabilumą ir ypač durų pritaikymą. Jei turėsite gerus pamatus, jūsų namas stovės dar daug metų.

Paruoškite pamatus taip, kad viršutinis jų kraštas būtų bent 5 cm virš žemės. Kartu įsitikinkite, kad po namo grindimis yra pakankamai vėdinimo angų.

Rekomenduojame rinktis vieną šių pamatų:

- juostinį arba taškinį pagrindą;
- pamatus iš betono ar šaligatvio plokščių;
- liejamo betono paklotą.

Pamatus paruoškite taip, kad jų sijos būtų atremtos iš visų pusių ne didesniais kaip 50–60 cm tarpais.

Pasikonsultuokite su šios srities specialistu arba paveskite pamatus rengti specialistams.

3 Sodo namelio surinkimas

DĖMESIO.

- Į namelio pakuotę taip pat įeina 2–3 pažymėti smogiamieji blokai (sienos profilis maždaug 20–30 cm ilgio).

Išvardyti duomenys NĖRA nurodyti specifikacijų sąraše.

- Brėžiniuose detalės pažymėtos triženkliais pozicijų numeriais. Tikslias detalių su trečiuoju skaitmeniu „x“ pozicijas rasite specifikacijų sąraše.

Pamatinis rėmas (pamatų sijos)

Namelio pamatinis rėmas turi būti visiškai plokščias ir lygus, kad montavimas vyktų be trukdžių.

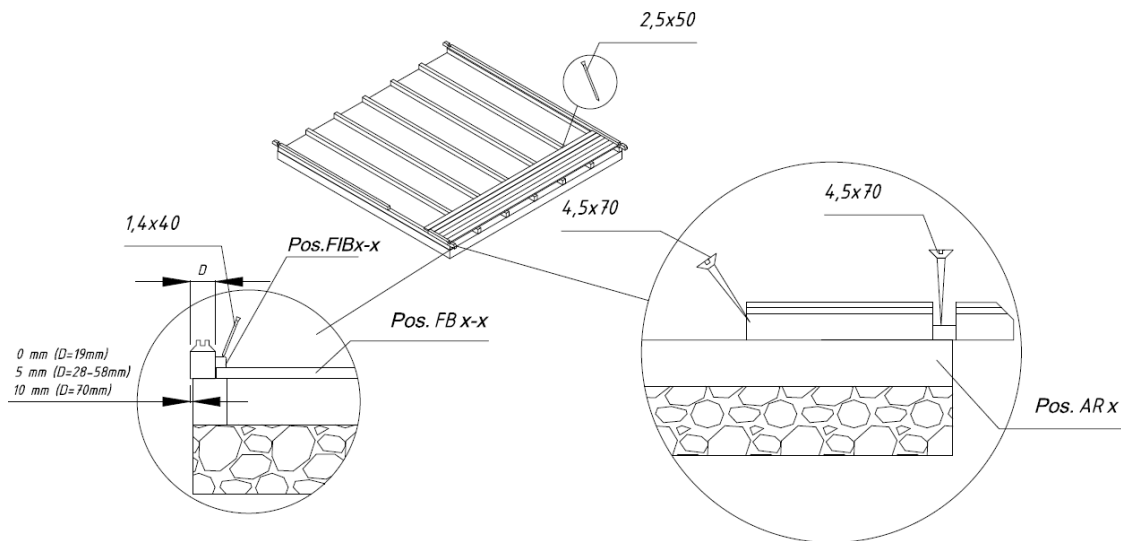
DĖMESIO. Skirtingų namelių pamatų išdėstymas gali skirtis – žr. pridedamą pamatinio rėmo brėžinį („Techninės specifikacijos“)!

Atsižvelgdami į brėžinį vienodais atstumais ant paruoštų pamatų montuokite impregnuotas pamatų sijas. Prieš sujungdami sijas varžtais įsitikinkite, kad jos yra lygios ir stačiakampės formos.

PATARIMAS. Tarp pamatų sijų ir pamatų rekomenduojama įrengti drėgmei atsparų sluoksnį, kuris apsaugotų namelį nuo drėgmės ir puvesio.

PATARIMAS. Siekiant užtikrinti apsaugą nuo vėjo bei audros, rekomenduojama pamatų sijas pritvirtinti prie pamatų (galima naudoti, pavyzdžiui, metalinius kampuočius, inkarus ir t. t.). Atitinkamos medžiagos į tiekiamą komplektą neįtrauktos!

Pamatų sijų montavimas



Sienos

Montuojant sienas, svarbu nepamiršti, kad:

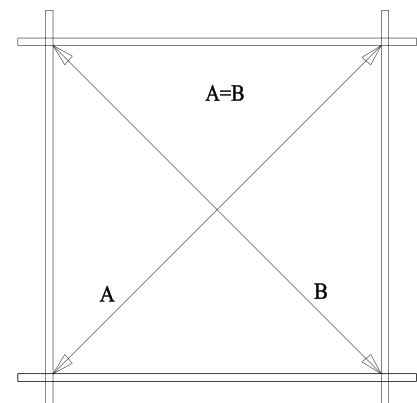
- Rąstai visada rengiami įlaida į viršų!
- Jei reikia, naudokite smogiamąjį bloką ir plaktuką! Niekada tiesiogiai netrenkite įlaidos plaktuku!

Sienas montuokite pagal pridėtus sienų planus (žr. „Techninės specifikacijos“).

Pirmiausia reikiamoje vietoje montuokite priekinės bei galinės sienos pusinius rąstus, tvirtinkite juos varžtais prie pamatų sijų. Tada montuokite šoninių sienų rąstus. Įsitikinkite, kad pirmasis rąstų sluoksnis šiek tiek išsikiša virš pamatų sijų: išsikišimas virš sijų turi būti maždaug 3–5 mm. Taip apsaugosite namelį nuo drėgmės ir leisite lietaus vandeniui laisvai tekėti į gruntą.

DĖMESIO. Po pirmojo rąstų sluoksnio išmatuokite įstrižainių ilgį ir, jei reikia, rąstus sumontuokite iš naujo. Tik tuo atveju, jei įstrižainių ilgiai yra visiškai vienodi, pagrindo rėmas yra stačiakampis ir rąstus galite jungti tarpusavyje.

Pirmasis rąstų sluoksnis



Montavimo vadovas – Lietuvių k.

Toliau montuokite sienas, stipriai įspausdami sienų rąstus vieną į kitą. Jei reikia, naudokite smogiamąjį bloką ir plaktuką. Tuo pačiu metu nepamirškite pradėti durų ir langų montavimo darbų. Duris būtinai pradėkite montuoti po 5–6 rastų sluoksnių.

Durys ir langas

Durų rėmas

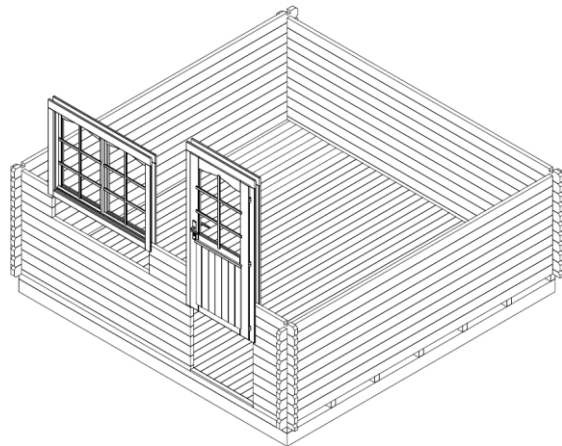
- Jei durys dvigubos, dėl transportavimo reikalavimų durų stakta tiekiami atskiromis dalimis, todėl turėsite ją surinkti.
- Sudėkite 4 rėmo dalis ir prisukite jas vieną prie kitos.
- Įsitikinkite, kad rėmo dalis su gilesne įpjova sumontuota į viršų. Šoninės staktos dalys yra vienodos ir su vyriais.
- Sąvaras rekomenduojame sumontuoti vėliau.
- Jei durys viengubos, jų rėmas ir sąvara tiekiami jau surinkti.

Durų rėmo montavimas (reikia montuoti tik dviguboms durims!)



Durų montavimas

Durų rėmas įstatomas į suformuotą angą ir jėga stumiamas į apatinį rąstą. Jei durys dvigubos, dabar uždėkite sąvaras ant vyrių. Norėdami duris atverti ir užverti, sumontuokite atskirai įpakuotą spyną ir rankeną.



Lango montavimas

Toliau montuokite sienų rąstus, kol pasieksite lango aukštį. Sienų planuose (žr. „Techninės specifikacijos“) nurodyta, kiek rąstų po langų telpa. Langas montuojamas panašiai kaip ir durys. Kaip ir duris, lango rėmą su langų jėga įstumkite į lango angą ant apatinio rąsto. Įsitikinkite, kad langas sumontuotas neatvirkščiai (apverstas).

PATARIMAS. Būtinai įsitikinkite, kad langai ir durys atsidaro tinkama kryptimi. Durys visada atsidaro iš vidaus į **lauką**. Pakreipiami ir pasukami langai atsidaro į **vidų**. Besisukantys ir slankiojantys langai atsidaro į **lauką** (langų rankenos yra viduje).

DĖMESIO. Durų ir langų prie sienos rąstų tvirtinti nebūtina! Jei norite tai padaryti, pakaks juos pritvirtinti keliais varžtais apatinėje karkaso dalyje, nes jiems džiūstant sienų rąstai ims leistis.

Galutinai sureguliuoti duris ir langus galite tik praėjus 2–3 savaitėms po namelio sumontavimo, kai namelis bus prisitaikęs prie oro sąlygų ir rąstai nusistovėję.

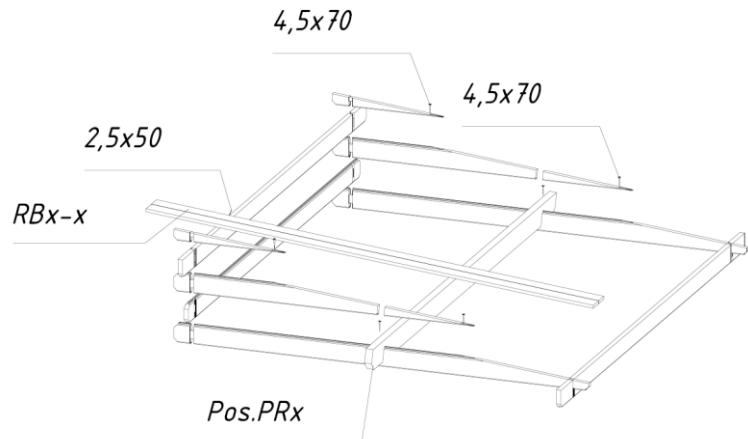
Viršus

Dažniausiai viršus tiekiamas vientisas (atkreipkite dėmesį: kai kurių namelių viršus gali būti sudarytas iš kelių dalių! Tokiu atveju prieš atliekant kitus veiksmus šias dalis reikės prisukti varžtais). Sumontavę paskutinius sienos rąstus, dėkite viršų ant priekinės ir galinės sienos ir tvirtinkite varžtais.

Viršaus dalyse yra išpjovos sijoms. Sijos taip pat turi atitinkamas išpjovas, kurios užtikrina, kad stogas tvirtai stovėtų tinkamoje vietoje.

Dabar sijas įstatykite į atitinkamas Sijų montavimas išpjovas viršaus dalyse.

Įsitikinkite, kad viršutinis sieninis rąstas, viršus ir sijos yra lygioje padėtyje. Sumontavę sijas, iš viršaus prisukite jas prie viršaus dalių.



DĖMESIO. Jei sienų rąstai netinkamai prispausti vienas prie kito be tarpų, viršutinės sienos rąstai gali būti ne tame pačiame lygyje kaip viršaus dalys. Tokiu atveju prireikus sienos rąstus stuktelėkite žemyn arba viršaus ar šoninės sienos rąstus išlyginkite, kad jie būtų šiek tiek žemiau.

Stogas

Prieš montuodami stogo plokštes įsitikinkite, kad namelis stovi visiškai lygiai. Vandeniui gulsčiuu patikrinkite visas sienas.

DĖMESIO. Montuodami stogą naudokite stabilias kopėčias. Nelipkite ant stogo, nes konstrukcija pritaikyta tik tolygiai apkrovai (sniegui, vėjui ir pan.), o ne taškinei!

Stogo lentas pradėkite montuoti **nuo priekinio stogo krašto**. Lentas lengvai stuktelėkite ir iš viršaus bei apačios vinimis pritvirtinkite prie sijų bei viršutinės sienos rąstų.

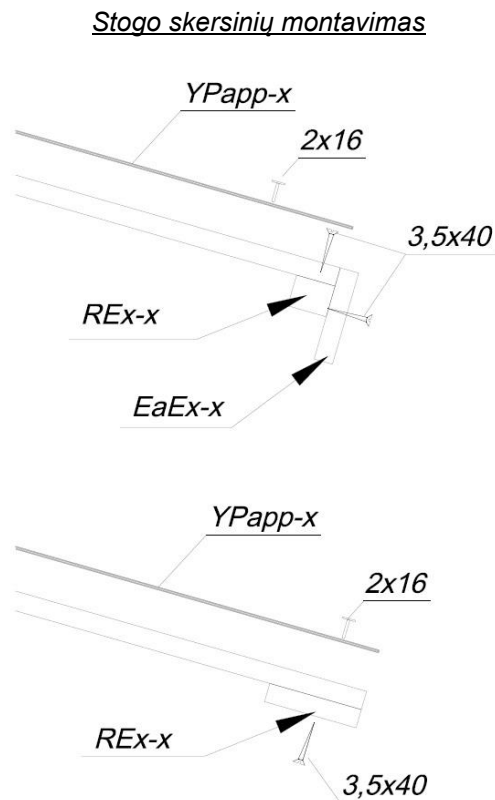
DĖMESIO. Nesuspaukite stogo lentų per tankiai, taip išvengsite drėgmės sukeliama išgaubimų! Tarp lentų palikite maždaug 1 mm tarpą, kad jos galėtų išbrinkti.

- Per visą stogo lentų montavimo procesą stebėkite, kad skliauto sijos sutaptų, o pastogės kraštai tęstųsi vienodais atstumais. Patikrinti galite sumontavę virvę arba šoninę pastogės lentjuostę.
- Stogo lentos turi būti vienoje plokštumoje su priekyje ir gale esančiais sijų galais. Jei reikia, siaurai išpjaukite abi paskutines stogo lentas taip, kad jos sutaptų su sijų galais.

Sumontavus stogo lentas, reikia pritvirtinti stogo paklotą ir stogo skersinius.

Komponentų lentelėje nurodyta, ar stogo dangos medžiaga ir skersiniai įeina į šį namelio modelį!

Pirmiausia po stogo lentų galais prisukite stogo kraštų sutvirtinimus ir pastogės apvadus. Tada sumontuokite stogo dangą.



Stogo danga (PASTABA! Kai kurių namelių modelių rinkiniuose jos nėra!)

Pagal stogo ilgį supjaustykite paklotą į tinkamus gabalus ir pradėkite montuoti lygiagrečiai apatiniam stogo kraštui, judėdami skliauto link ir dėdami pakloto juostas nuo galinės sienos priekinės link. Paklotas nuo krašto turėtų pailgėti apie 2–4 cm. Tvirtinkite stogo paklotą prie stogo lentų pridedamomis vinimis maždaug 15 cm atstumais. Įsitikinkite, kad pakloto juostelės persidengia bent 10 cm.

Grindys

Tik visiškai pastatę namelį galite montuoti grindų lentas, kad grindys bereikalingai nesusiteptų.

Grindų lentas dėkite ant pamatinio rėmo, lengvai prispauskite vieną prie kitos ir stipriai prikalkite prie pamatų sijų. Jei reikia, pjaukite paskutinę grindų lentą iki tinkamo pločio.

Paskutinis veiksmas – grindų apvadų, kuriais uždengiami tarpai tarp grindų lentų ir sienų, montavimas. Jei reikia, nupjaukite grindų apvadą iki tinkamo ilgio.

DĖMESIO. Priklausomai nuo vietos, kurioje stovi namelis, klimato, grindų lentos gali išsiplėsti arba susitraukti. Jei grindų lentos labai sausos, o klimatas drėgnas, jos lengvai sugeria drėgmę. Tokiu atveju grindų lentų nereikėtų tvirtinti labai tankiai, kad jos neišsipūstų. Palikite šiek tiek vietos (1–2 mm) tarp grindų lentų, kad būtų joms vietos plėstis. Tačiau jei klimatas šiltas ir sausas, lentas galite montuoti tankiau, nes jos išsausės ir tarp jų gali atsirasti tarpų.

Atramos nuo audros (PASTABA! Kai kurių namelių modelių rinkiniuose jų nėra!)

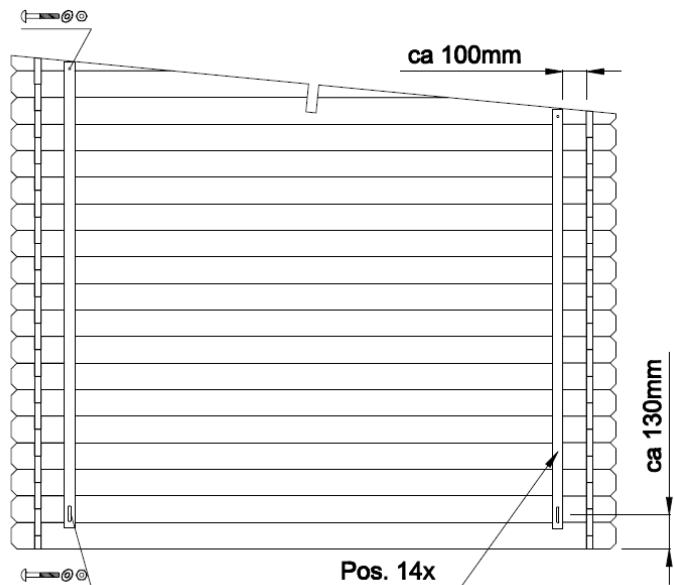
Prie vidinių priekinių (2 vnt.) ir galinių (2 vnt.) sienų pateiktais varžtais pritvirtinkite atramas nuo audros (jei jos įtrauktos į tiekiamą komplektą). Svarbu, kad rąstai būtų išgręžti iš anksto. Laikykitės brėžinyje nurodytų atstumų, kad nekiltų problemų dėl medienos išsiplėtimo ar susitraukimo.

PATARIMAS. Įsitinkinkite, kad atramos nuo audros iš viršaus pritvirtintos prie viršaus rąstų, o iš apačios – prie pirmojo sienos rąsto vidurio. Jei reikia, patrumpinkite viršutinius pakloto galus.

Varžtų stipriai nesukite, kad mediena galėtų dar labiau išsiplėsti ar susitraukti.

Kai namas pastovės, sureguliuokite tvirtinimo elementus, kad sienų rąstai galėtų nusistovėti.

Atramų nuo audros montavimas



Bendrasis patarimas

Problema: *Tarp sieninių rąstų atsiranda tarpų*

Priežastis: Prie namelio pritvirtintos papildomos detalės, kurios neleidžia medienai išsiplėsti ir (arba) susitraukti.

Sprendimai: Jei durys / langas prie sienos rąstų pritvirtintas varžtais ir (arba) vinimis, šiuos varžtus ir (arba) vinius išsukite / ištraukite;

Jei atramos nuo audros užsakomos per stipriai, atlaisvinkite jų priedą;

Jei (lietaus vandens) vamzdžiai sumontuoti ant sienos, atlaisvinkite jų tvirtinimo detales.

Problema: *Durys ir langai stringa.*

Priežastis: Namelis ir (arba) pamatai nusistovėjo.

Sprendimas: Patikrinkite, ar namelis stovi lygiai. Išlyginkite pamatų sijas ir sienas.

Priežastis: Durys ir langai išsiplėtė dėl drėgmės.

Sprendimas: Sureguliuokite durų ir langų vyrius; jei reikia, duris arba langą susiaurinkite.



Sėkmės montuojant sodo namelį! Džiaukitės juo daugybę metų!

1 Vispārīga informācija



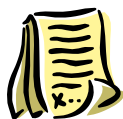
Cienījamais klient!

Mēs priecājamies, ka esat izvēlēties mūsu dārza mājiņu!

Lūdzu, pirms uzsākat mājas uzstādīšanu, rūpīgi izlasiet montāžas instrukciju! Tādējādi jūs izvairīsieties no problēmām un ietaupīsiet laiku.

Rekomendācijas:

- Mājas komplektāciju līdz pilnīgai uzstādīšanai uzglabāiet sausā vietā, lai tā nesaskartos ar zemi un būtu pasargāta no laika apstākļu ietekmes (mitruma, saules u. tml.). Neuzglabāiet mājas komplektāciju apsildāmās telpās!
- Izvēloties dārza mājiņas būvēšanas vietu, pārliecinieties, ka tā netiks pakļauta ekstrēmiem laika apstākļiem (vietās, kas pakļautas spēcīgiem snieguputeņiem vai vējiem); pretējā gadījumā jums jānostiprina māja (piemēram, ar enkuriem) pie augsnes apakškārtas.



Garantija

Jūsu māja ir izgatavota no augstas kvalitātes egles koksnes un piegādāta dabiskā (neapstrādātā) formā. Ja, neraugoties uz mūsu rūpīgajām pārbaudēm, jums rodas sūdzības, lūdzu, iesniedziet produkta pārdevējam aizpildītu pārbaudes veidlapu un pirkuma rēķinu.

UZMANĪBU: Lūdzu, noteikti saglabāiet mājas komplektācijā ietvertos dokumentus! Uz pārbaudes veidlapas norādīts mājas pārbaudes numurs. Sūdzības mēs varam izskatīt tikai tad, ja jūs pārdevējam iesniedzat mājas pārbaudes numuru!

Garantija neietver:

- Koka kā dabīga materiāla īpatnības
- Koka detaļas, kas jau ir nokrāsotas (apstrādātas ar koksnes antiseptiķi)
- Koka detaļas, kas satur zaru vietas, bet neapdraud mājas stabilitāti
- Krāsas toņa atšķirības, ko izraisa atšķirīga koka struktūra un kas neietekmē koka ilgmūžību
- Koka detaļas, kurām (žūšanas rezultātā) ir izveidojušās nelielas plaisas/spraugas, kas nav pāršķēlušas detaļu un neietekmē mājas konstrukciju
- Savēpušās koka detaļas, ja tās aizvien ir iespējams uzstādīt
- Jumta un grīdas dēļus, kuriem uz neredzamajām virsmām ir palikušas nenoveļētas, nodilušas vai atšķirīgas krāsas zonas
- Sūdzības, kas radušās nekompetentas mājas montāžas dēļ vai mājas nosēšanās nekompetenti būvētu pamatu dēļ
- Sūdzības, kas radušās, ieviešot pašrocīgas izmaiņas mājas konstrukcijā, piemēram, koka detaļu un logu/durvju deformēšanās nekompetentas koka apstrādes dēļ, pārāk cieši piestiprinot vēja atgāžņus, pieskrūvējot durvju rāmi pie sienu balķiem u. tml.

Garantijā ietvertās sūdzības tiek apmierinātas, aizvietojojam defektīvās/bojātās detaļas. Visas pārējās prasības netiek apmierinātas!



Dārza mājiņas krāsošana un uzturēšana

Koks ir dabisks materiāls, kas aug un piemērojas laika apstākļiem. Lielākas un mazākas plaisas, atšķirības un izmaiņas krāsas tonī, kā arī mainīga koka struktūra nav defekti, bet koka augšanas un koka kā dabīga materiāla īpatnību rezultāts.

Neapstrādāts koks (izņemot grīdas sijas) pēc kāda laika kļūst pelēcīgs un var palikt zilgans un sapelēt. Lai pasargātu savas dārza mājiņas koka detaļas, jums tās nekavējoties jāapstrādā ar koksnes aizsarglīdzekli.

Mēs iesakām uzreiz nokrāsot grīdas dēļus ar bezkrāsainu koksnes impregnēšanas līdzekli, jo sevišķi dēļu sānus, kuriem jūs vairs nevarēsiet piekļūt, kad māja būs samontēta. Tikai tādējādi jūs varat novērst mitruma iesūkšanos.

Mēs noteikti iesakām ar koka impregnēšanas līdzekli apstrādāt arī durvis un logus, turklāt gan no ārpuses, gan iekšpuses! Pretējā gadījumā durvis un logi var savērties.

Kad mājas montāža ir pabeigta, mēs iesakām to nokrāsot ar pret laika apstākļiem izturīgu krāsu, kas pasargās koku no mitruma un UV radiācijas.

Krāsošanai izmantojiet augstas kvalitātes instrumentus un krāsas, ievērojiet krāsas uzklāšanas instrukcijas un ražotāja drošības un lietošanas norādījumus. Nekad nekrāsojiet virsmas spēcīgā saules gaismā vai lietainā laikā. Par neapstrādātai skujkoksnei piemērotu krāsu konsultējieties ar speciālistu un ievērojiet krāsas ražotāja instrukcijas.

Atbilstoša nokrāsošana ievērojami pagarinās jūsu dārza mājiņas kalpošanas laiku. Mēs iesakām rūpīgi pārbaudīt māju reizi sešos mēnešos.

2 Sagatavošanās montāžai

Instrumenti un detaļu sagatavošana

Lai samontētu dārza mājiņu, jums būs nepieciešami šādi instrumenti:



montāžas instrumentu komplekts



kāpnes



āmurs



līmeņrādis



skrūvgriezis



zāģis



nazis



mērlente



knaibles



urbis

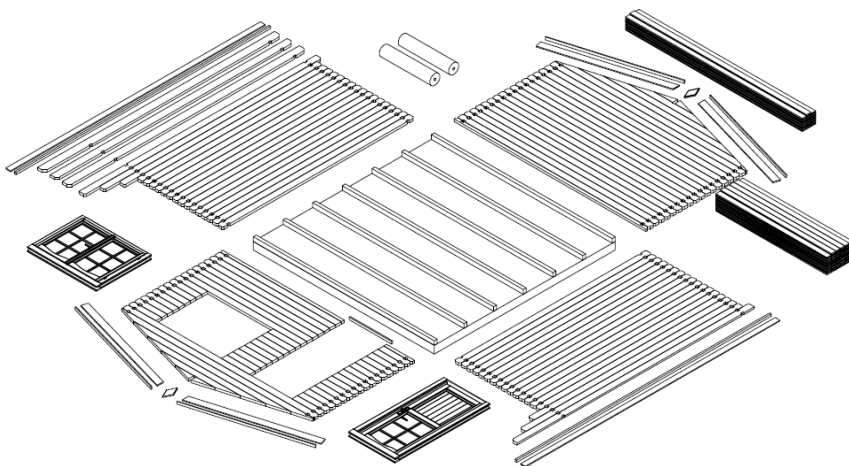
PADOMS: Lai izvairītos no skabargām, mēs montāžas procesa laikā iesakām valkāt atbilstošus aizsargcimdus.

Montāžas instrukcija – Latviešu

Sastāvdaļu sagatavošana:

Sašķirojiet sastāvdaļas atbilstoši sienu montāžas plāniem (skat. nodaļu "Tehniskās specifikācijas") un novietojiet tās mājas četrās pusēs, ievērojot uzstādīšanas secību.

UZMANĪBU: Nekādā gadījumā nenovietojiet sastāvdaļas tieši zālē vai uz dubļainas virsmas, jo vēlāk tās būs ļoti grūti vai pat neiespējami notīrīt!



Pamati

Labi pamati ir vissvarīgākais faktors, kas nodrošina ilgu un drošu jūsu mājiņas kalpošanu. Tikai pilnīgi līdzeni, taisnstūrveida un nesošie pamati nodrošinās mājiņas uzstādīšanu bez problēmām, tās stabilitāti un it īpaši durvju salāgošanu. Labi pamati nodrošinās, ka jūsu mājiņa kalpos vēl daudzus gadus.

Izveidojiet pamatus tā, lai to augšējā mala būtu vismaz 5 cm virs zemes. Vienlaikus pārliecinieties, vai zem mājiņas grīdas ir pietiekamas gaisa atveres ventilācijas nodrošināšanai.

Mūsu ieteikums ir izvēlēties vienu no šiem pamatu variantiem:

- Lentveida vai stabveida pamati
- Betona vai bruģētu plātņu pamati
- Lietā betona plātņveida pamati

Sagatavojiet pamatus tā, lai pamatu sijas būtu atbalstītas katrā pusē ar intervālu, kas nepārsniedz 50–60 cm.

Konsultējieties ar šīs jomas speciālistu vai pasūtiet pamatu izbūvi speciālistiem.

3 Dārza mājiņas montāža

UZMANĪBU:

- Mājiņas komplektā ir iekļauti arī 2 - 3 marķēti sitamie bloki (sienas profils aptuveni 20-30 cm garš).

Iepriekš uzskaitītās detaļas NAV minētas specifikācijas sarakstā.

- Rasējumos redzamie detaļu izmēri ir norādīti ar trīsciparu pozīcijas skaitļiem. To detaļu precīzās pozīcijas, kurām trešais cipars ir "x", var atrast specifikācijas sarakstā.

Montāžas instrukcija – Latviešu

Pamatnes rāmis (pamatu sijas)

Mājiņas pamatnes rāimim ir jābūt pilnīgi plakanam un izlīdzinātam, lai uzstādīšana laikā nerastos problēmas.

UZMANĪBU: mājiņām var būt atšķirīgi pamatu izvietoumi – skatiet pievienoto pamatnes rāmja rasējumu (skat. nodaļu “Tehniskās specifikācijas”)!

Novietojiet impregnētās pamatu sijas vienādos atstatumos uz sagatavotajiem pamatiem, kā parādīts rasējumā. Pirms siju saskrūvēšanas pārļiecinieties, vai tās ir izlīmeņotas un savienotas taisnā leņķī.

PADOMS: Starp pamatu sijām un pamatiem ieteicams ieklāt mitruma barjeru, kas aizsargās māju no mitruma iedarbības un satrunēšanas.

PADOMS: Lai nodrošinātu aizsardzību pret vēju un vētrām, pamatnes sijas ir ieteicams piestiprināt pie pamatiem (šim nolūkam varat izmantot, piemēram, metāla leņķa kronšteinus, enkurus utt.). Nepieciešamie materiāli nav iekļauti piegādes komplektā!

Pamatu siju uzstādīšana:



Sienas

Sienu uzstādīšanas laikā ir svarīgi atcerēties, ka:

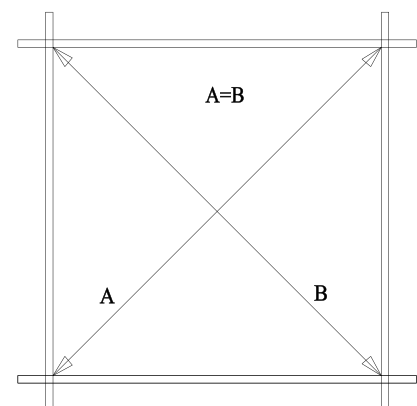
- Guļbaļķus vienmēr samontē ar to ierievjiem uz augšu!
- Ja nepieciešams, izmantojiet sitamo bloku un āmuru! Aizliegts ar āmuru tieši sist pa ierievi!

Uzstādiēt sienas saskaņā ar pievienotajiem sienu plāniem (skat. nodaļu “Tehniskās specifikācijas”).

Vispirms novietojiet pusi guļbaļķu priekšējai un aizmugurējai sienai pareizajā uzstādīšanas vietā un pieskrūvējiet ar skrūvēm tos pie pamatu sijām. Pēc tam uzstādiēt sānu sienu baļķus. Pārļiecinieties, vai pirmā guļbaļķu kārtā ir nedaudz izvīzīta pāri pamatu sijām: guļbaļķiem ir jābūt izvīzītiem pāri sijām par apt. 3 - 5 mm. Tādā veidā var nodrošināt mājas aizsardzību pret mitrumu, ļaujot lietus ūdenim brīvi ieplūst zemē.

UZMANĪBU: Pēc pirmās guļbaļķu kārtas uzstādīšanas izmēriet diagonālos garumus un, ja nepieciešams, uzstādiēt guļbaļķus vēlreiz. Tikai tad, ja diagonālie garumi ir pilnīgi vienādi, pamatnes rāmis veido taisnu leņķi un iespējams

Pirmā guļbaļķu kārtā:



Montāžas instrukcija – Latviešu

savstarpēji sastiprināt guļbaļķus.

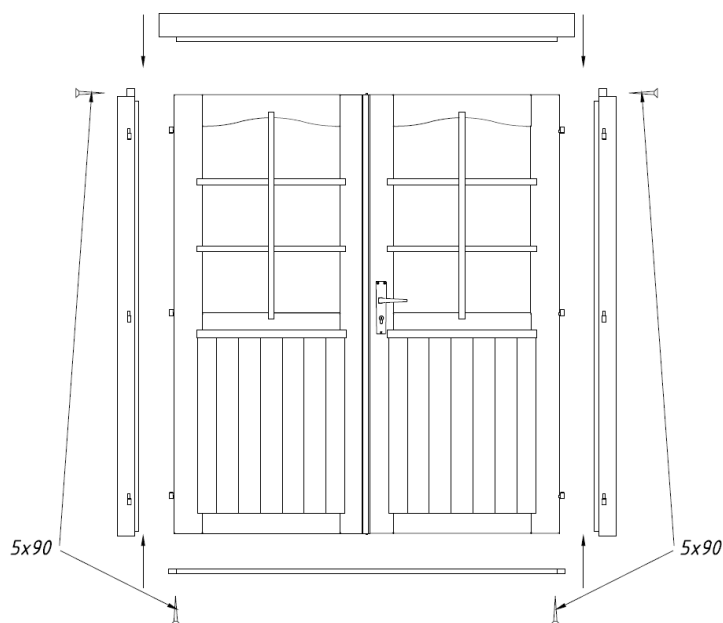
Turpiniet sienu uzstādīšanu, spēcīgi spiežot sienu guļbaļķus vienu virs otra. Ja nepieciešams, izmantojiet sitamo bloku un āmuru. Vienlaikus neaizmirstiet sākt durvju un logu uzstādīšanu. Durvju uzstādīšana noteikti ir jāsāk pēc 5. - 6. guļbaļķu kārtas.

Durvis un logs

Durvju rāmis:

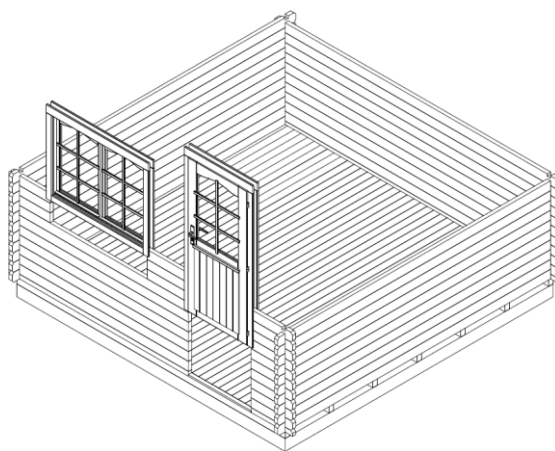
- Divvērtņu durvju konstrukcijai durvju rāmis ir piegādāts atsevišķās daļās, ievērojot transportēšanas prasības, tāpēc jums jāsāk ar to montāžu.
- Šim nolūkam salieciet kopā rāmja 4 daļas un saskrūvējiet kopā.
- Pārliecinieties, vai rāmja daļa ar dziļāku gropi ir uzstādīta augšpusē. Sānu stenderes detaļām ir eņģes un tās ir simetriskas.
- Vērtnes uzstādīšanu ieteicams veikt vēlāk.
- Vienvērtnes durvju konstrukcijai rāmis un vērtne tiek piegādāti jau samontētā stāvoklī.

Durvju rāmja uzstādīšana (nepieciešama vienīgi divvērtņu durvīm!):



Durvju uzstādīšana:

Durvju rāmis ir jānovieto pie izveidotās aillas un ar spēku jāiespiež uz apakšējā guļbaļķa. Divvērtņu durvju konstrukcijā tagad vērtnes ir jāuzstāda uz eņģēm. Durvju atvēršanai vai aizvēršanai uzstādiat atsevišķi iepakoto slēdzeni un rokturi.



Loga uzstādīšana:

Turpiniet sienu guļbaļķu uzstādīšanu, līdz sasniedzat loga augstumu. Sienu montāžas plānos (skat. nodaļu "Tehniskās specifikācijas") ir parādīts, cik guļbaļķi ir jāuzstāda zem loga vietas. Logu montāža ir veicama līdzīgi durvju montāžai. Rīkojieties tāpat kā durvju uzstādīšanas laikā - pieliecot spēku, loga rāmi ar logu spiediet loga ailā uz apakšā esošā guļbaļķa. Pārliecinieties, vai logs nav uzstādīts otrādi (ar apakšu augšā).

PADOMS: Noteikti pārliecinieties, vai logi un durvis atveras pareizajā virzienā. Durvis vienmēr ir atveramas no iekšpuses **uz ārpusi**. Veramie/atgāžamie logi ir atverami **uz iekšpusi**. Pagriežamie un atgāžamie logi ir atverami **uz ārpusi** (logu rokturi ir iekšpusē).

UZMANĪBU: Durvis un logus nav nepieciešams piestiprināt pie sienas guļbaļķiem! Ja vēlaties to darīt, pietiekama ir to piestiprināšana rāmja apakšējā daļā ar pāris skrūvēm, jo to žūšanas laikā sienu guļbaļķi sāks nosēsties.

Durvju un logu galīgā pielāgošana ir veicama tikai aptuveni 2 - 3 nedēļas pēc mājiņas uzstādīšanas, kad mājiņa būs pielāgojusies laika apstākļiem un tās guļbaļķi nosēdušies.

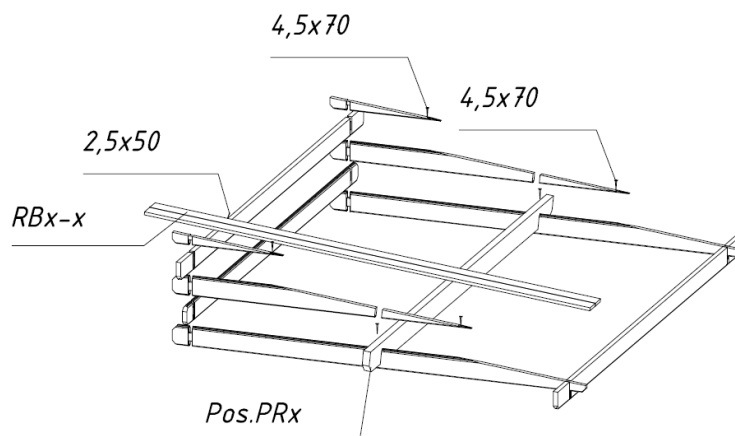
Kore

Vairumā gadījumu jumta kore tiek piegādāta vienā gabalā (pievērsiet uzmanību: dažos mājiņu variantos kore var būt veidota no vairākām daļām. Šajā gadījumā šīs daļas būs jāskrūvē pirms citām darbībām.). Pēc pēdējo sienu guļbaļķu uzstādīšanas novietojiet kori uz priekšējās un aizmugurējās sienas un pieskrūvējiet to ar skrūvēm.

Korēm ir izveidoti ierobi kopturiem. Kopturiem arī ir izveidoti atbilstoši ierobi, kuri nodrošina, ka jumts tiek uzstādīts cieši un pareizajā vietā.

Tagad ievietojiet kopturus Kopturu uzstādīšana: atbilstošajos koru ierobos.

Pārliecinieties, vai augšējais sienas guļbaļķis, kores un kopturi ir izlīmeņoti. Pēc kopturu uzstādīšanas pieskrūvējiet tos no augšpuses pie kores.



UZMANĪBU: Ja sienu guļbaļķi nav pareizi saspiesti viens virs otra (bez spraugām), tad augšējais sienas guļbaļķis var nebūt vienā līmenī ar korēm. Šādā gadījumā, ja nepieciešams, sienu guļbaļķi ir jāsit uz leju, vai arī kore vai sānu sienas guļbaļķis jāuzstāda nedaudz zemāk.

Jumts

Pirms jumta dēļu uzstādīšanas pārliecinieties, vai mājiņa ir pilnīgi izlīmeņota. Lai pārbaudītu visas sienas, izmantojiet līmeņrādi.

UZMANĪBU: Uzstādot jumtu, izmantojiet stabilas kāpnes. Aizliegts kāpt uz jumta, jo tā konstrukcija spēj izturēt tikai vienmērīgu slodzi (sniega, vēja u.tml. slodzi), nevis punktveida slodzi!

Sāciet jumta dēļu uzstādīšanu **no jumta priekšējās malas**. Viegli uzsitiet pa dēļiem un pienaglojiet tos no augšas un apakšas pie kopturiem un augšējā sienas guļbaļķa.

UZMANĪBU: Nesaspiediet jumta dēļus pārāk cieši kopā, lai nepieļautu to izliekšanos mitruma ietekmē! Starp dēļiem ir jāizveido apmēram 1 mm sprauga, lai nodrošinātu vietu piebriešanai.

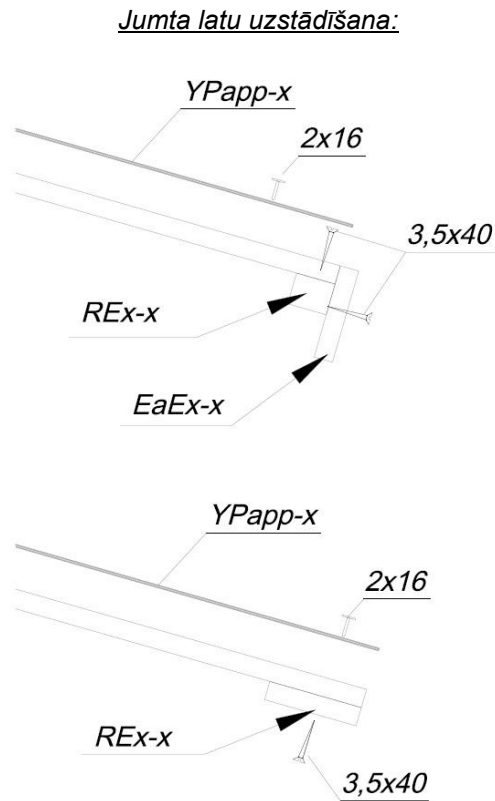
- Visā jumta dēļu uzstādīšanas laikā pārliecinieties, vai to kores kopturi sakrīt un dēļi dzegas pusē ir izvietoti vienādā attālumā. Pārbaudiet to ar virvi vai sānu dzegas līsti, ko varat uzstādīt pārbaudes nolūkam.
- Jumta dēļiem ir jābūt izlīdzinātiem ar kopturu galiem priekšpusē un aizmugurē. Ja nepieciešams, nozāģējiet abus pēdējos jumta dēļus tik šaurus, lai tie būtu izlīdzināti ar kopturu galiem.

Montāžas instrukcija – Latviešu

Pēc jumta dēļu uzstādīšanas ir jāpiestiprina jumta pārseguma ruberoīds un jumta latas.

Sastāvdaļu tabulā ir parādīts, vai šajā mājiņas konfigurācijā ir iekļauts jumta pārseguma materiāls un latas!

Vispirms zem jumta dēļu galiem pieskrūvējiet jumta malas pastiprinājuma elementus un dzegas apmales. Pēc tam uzstādiat jumta pārseguma materiālu.



Jumta pārseguma materiāls (NB! Dažu mājiņu variantos tas nav iekļauts komplektācijā!)

Sagrieziet jumta pārseguma ruberoīdu jumta garumam atbilstošos gabalos un sāciet to uzstādīšanu paralēli apakšējai jumta malai, virzoties līdz korei un uzklājot ruberoīda sloksnes virzienā no aizmugurējās sienas uz priekšējo sienu. Ruberoīda pārslāpēšanai pār jumta malu ir jābūt apt. 2 - 4 cm. Piestipriniet jumta ruberoīdu pie jumta dēļiem ar komplektācijā iekļautajām jumta naglām, ievērojot aptuveni 15 cm intervālu. Nodrošiniet ruberoīda sloksņu pārklāšanos par aptuveni 10 cm.

Grīda

Tikai pēc mājiņas pilnīgas uzbūvēšanas varat uzstādīt grīdas dēļus, tādējādi neradot lieku grīdas nosmērēšanu.

Novietojiet grīdas dēļus uz pamatnes rāmja, viegli pasitiet tos vienu pret otru un pēc tam ar spēku pienaglojiet pie pamatu sijām. Ja nepieciešams, apzāģējiet pēdējo grīdas dēli piemērotā platumā.

Pēdējā darbība ir grīdlīstu uzstādīšana, lai nosegtu spraugas starp grīdas dēļiem un sienām. Ja nepieciešams, nozāģējiet grīdlīstes piemērotā garumā.

UZMANĪBU: Atkarībā no klimata apstākļiem mājiņas uzstādīšanas vietā, grīdas dēļi var piebriest vai sarauties. Ja grīdas dēļi ir ļoti sausi, savukārt klimats ir mitrs, tad tie viegli uzsūks mitrumu. Šajā gadījumā, lai novērstu iespējamu grīdas dēļu izliekšanos, tos nedrīkst piestiprināt ļoti blīvi. Starp grīdas dēļiem ir jāizveido atstarpe (1 - 2 mm), lai nodrošinātu vietu piebriešanai. Bet, ja jūsu mājiņas uzstādīšanas vietā valda silts un sauss klimats, tad varat uzstādīt dēļus cieši, jo tie kļūs sausāki un starp tiem var rasties atstarpe.

Vēja atgāžņi (NB! Nav iekļauti dažu mājiņu komplektos!)

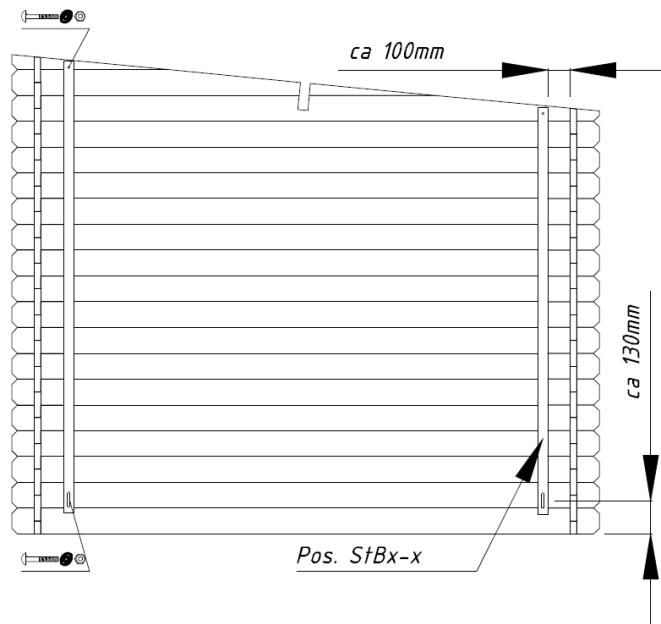
Piestipriniet vēja atgāžņus (ja iekļauti piegādes komplektā) pie priekšējo (2 gab.) un aizmugurējo (2 gab.) sienu iekšējām pusēm, izmantojot komplektā iekļautās skrūves. Svarīgi ir iepriekš veikt guļbaļķu caururbšanu. Lūdzu, ievērojiet rasējumā norādītos attālumus, lai koksnes piebriešanas vai saraušanās rezultātā nerastos problēmas.

PADOMS: Pārliecinieties, vai vēja atgāžņi augšdaļā ir piestiprināti pie kores baļķa un apakšdaļā pie pirmā pilna garuma sienas guļbaļķa vidus. Ja nepieciešams, saīsiniet latu augšējos galus.

Nepievelciet skrūves cieši, lai koksne varētu vēl piebriest vai sarauties.

Pēc mājiņas nosēšanās ir nepieciešams veikt piestiprināto daļu pielāgošanu, lai sienu guļbaļķi varētu nosēsties.

Vēja atgāžņu uzstādīšana:



Vispārīgi ieteikumi:

Problēma: Starp sienas baļķiem ir redzamas spraugas

Cēlonis: Mājiņai ir piestiprinātas papildu detaļas, kuras neļauj koka materiālam piebriest/sarauties.

Risinājumi: Ja durvis/logi ir piestiprināti pie sienas baļķiem ar skrūvēm/naglām, tad izvelciet šīs skrūves/naglas;
Ja vēja atgāznis ir pieskrūvēts pārāk cieši, tad atlaidiet tā stiprinājumu;
Ja pie sienas ir uzstādītas (lietus ūdens) notekcaurules, tad atlaidiet to stiprinājumus;

Problēma: Durvis un logi ir iesprūduši.

Cēlonis: Mājiņa/pamati ir nosēdušies.

Risinājums: Pārbaudiet, vai mājiņa ir izlīmeņota. Izlīdziniet pamatu sijas un sienas.

Cēlonis: Mitruma ietekmē durvis un logi ir uzbrieduši.

Risinājums: Pieregulējiet durvju un logu eņģes; ja nepieciešams, noēvelējiet durvju vai loga malu.



Mēs novēlam jums sekmīgu dārza mājiņas uzstādīšanu un daudz prieka, mitinoties šajā mājiņā daudzu gadu garumā!

1 Общая информация



Уважаемый клиент!

мы рады, что Вы приняли решение в пользу нашего садового дома!

Просим Вас очень внимательно прочитать инструкцию по монтажу, прежде чем Вы приступите к сборке дома! Так Вы сможете избежать ненужных потерь времени.

Рекомендации:

- Сохраняйте комплект деталей дома до полной сборки в сухом месте без прямого контакта с землей, а также защищенным от климатических воздействий (влажность, солнце и пр.). Не храните комплект деталей дома в натопленном помещении!
- При выборе места для садового дома следите за тем, чтобы дом не находился под воздействием экстремальных климатических условий (сильный снегопад или ветер), в противном случае Вам необходимо закрепить дом (напр., при помощи анкеров) к поверхности основания.



Гарантия

Ваш дом изготовлен из высококачественной еловой древесины и поставляется в натуральном виде (без обработки). Если, несмотря на наш тщательный контроль, у Вас появятся жалобы, предъявите продавцу товара заполненный контрольный лист и чек на покупку.

ВНИМАНИЕ: Просим обязательно сохранить приложенную к дому документацию! В контрольном листе Вы найдете контрольный номер дома. Жалобы учитываются только в том случае, если Вы передадите продавцу контрольный номер дома!

гарантией не покрываются:

- Особенности, обусловленные древесиной как природным материалом
- Детали, которые уже окрашены (обработаны средством для защиты древесины)
- Детали, в которых попадаются целые сучки, которые не вредят стабильности дома
- Обусловленные разницей в структуре древесины разные цветовые тона, которые не влияют на срок службы древесины
- Детали, в которых имеются маленькие (обусловленные высыханием) трещинки, которые не являются сквозными и не влияют на конструкцию дома
- Скрученные деревянные детали, если их все же можно установить
- Доски кровли и пола, на невидимых поверхностях которых могут встречаться необработанные места, разница в цвете и обзоле
- Жалобы, обусловленные непрофессиональным расположением дома, или проседание дома в результате непрофессионально подготовленного фундамента
- Жалобы, обусловленные внесенными по собственной инициативе изменениями в конструкции дома, напр., искривление деревянных деталей и дверей/окон в результате непрофессиональной обработки; слишком жесткое закрепление плавающей планки, прикручивание дверных рам к стенным деталям и пр.

Удовлетворение попадающих под гарантию жалоб ограничивается заменой отсутствующего/некачественного материала. Все прочие требования исключены!



Покраска и обслуживание садового дома

Древесина является природным материалом, который увеличивается или уменьшается в объеме в зависимости от погодных условий. Большие и маленькие трещины, разница в цветовых тонах и изменение тонов, а также изменения в структуре древесины не считаются дефектами, а являются результатом роста дерева и своеобразием древесины как природного материала.

Необработанная древесина (за искл. фундаментных брусьев) через некоторое время становится сероватой, может посинеть и заплесневеть. Чтобы защитить деревянные детали своего садового дома, Вы должны незамедлительно обработать их защитным средством для древесины.

Рекомендуем предварительно покрыть напольные доски бесцветным средством для пропитки дерева, особенно нижнюю сторону досок, к которой после монтажа дома доступа больше не будет. Только в таком случае можно остановить проникновение влаги.

Рекомендуем обязательно обработать средством для пропитки древесины также двери и окна. Важно обязательно обработать окна и двери как изнутри, так и снаружи! В противном случае они могут искривиться.

После монтажа дома рекомендуем при окончательной отделке использовать для защиты от погодных условий краску, которая защищает древесину от влаги и ультрафиолетового излучения.

При покраске используйте высококачественные рабочие инструменты и краски, следуйте инструкции по использованию краски, а также инструкциям производителя по безопасности и эксплуатации. Никогда не красьте под жарким солнцем или в дождливую погоду. Получите у специалиста консультацию в части красок, предназначенных для хвойной древесины, а также соблюдайте инструкции производителя краски.

Правильная покраска дома значительно продлит срок службы Вашего садового дома. Через каждые полгода рекомендуем Вам внимательно осматривать дом.

2 Подготовка к монтажу

Подготовка рабочих инструментов и деталей

Для монтажа садового дома Вам понадобятся следующие рабочие инструменты:



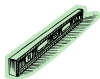
помощник по монтажу



лестница-стремянка



молоток



уровень



отвертка



пила



нож



рулетка



щипцы



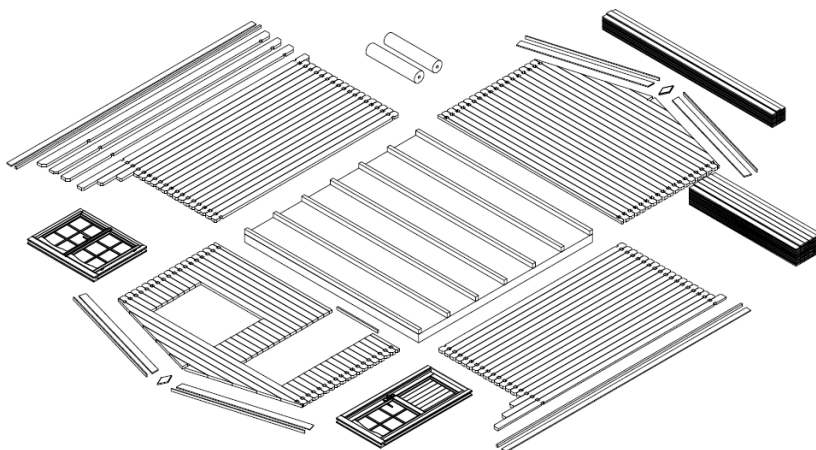
сверло

РЕКОМЕНДАЦИЯ: Чтобы избежать возможных заноз, рекомендуем во время монтажа надевать соответствующие защитные перчатки.

Подготовка деталей:

Рассортируйте детали в соответствии с планами стен (см. Технические данные) и расположите их в порядке установки по четырем сторонам дома.

ВНИМАНИЕ: Никогда не располагайте детали прямо на траве или на грязной поверхности, потому что позже их будет очень трудно или даже невозможно очистить.



Фундамент

С точки зрения срока службы и безопасности Вашего дома самым важным элементом является хороший фундамент. Только абсолютный ровный, прямоугольный и несущий фундамент обеспечит беспроблемную установку дома, его устойчивость и, прежде всего, нормальное функционирование дверей. С хорошим фундаментом Ваш дом простоит намного дольше.

Подготовьте фундамент таким образом, чтобы его верхний край превышал уровень поверхности земли примерно на 5 см. В то же время следите, чтобы под полом дома осталось достаточно воздушных проемов для вентиляции.

Рекомендуем следующие варианты фундаментов:

- Ребристый или точечный фундамент
- Бетонный фундамент или фундамент из плит для пешеходных дорожек
- Монолитное бетонное основание

Подготовьте фундамент таким образом, чтобы фундаментные брусья имели опору со всех сторон с интервалом не более 50-60 см.

Проконсультируйтесь у специалиста или закажите подготовку фундамента у специалистов.

3 Монтаж садового дома

ВНИМАНИЕ:

- В комплекте также имеется 2-3 маркированных деревянных колодки (стенной профиль длиной около 20-30 см)

Эти названные детали НЕ УКАЗАНЫ в таблицах деталей.

- На чертежах детали обозначены трехзначными позиционными номерами. Точные позиции этих деталей, где третий номер обозначен как «х», Вы найдете в таблице деталей.

Рама основания (Фундаментные брусья)

Рама основания дома должна быть абсолютно ровная и выставленная по уровню, чтобы обеспечить дальнейшую беспроблемную установку дома.

ВНИМАНИЕ: у разных домов может быть разное расположение фундамента – смотрите приложенный чертеж рамы основания (см. Технические данные)!

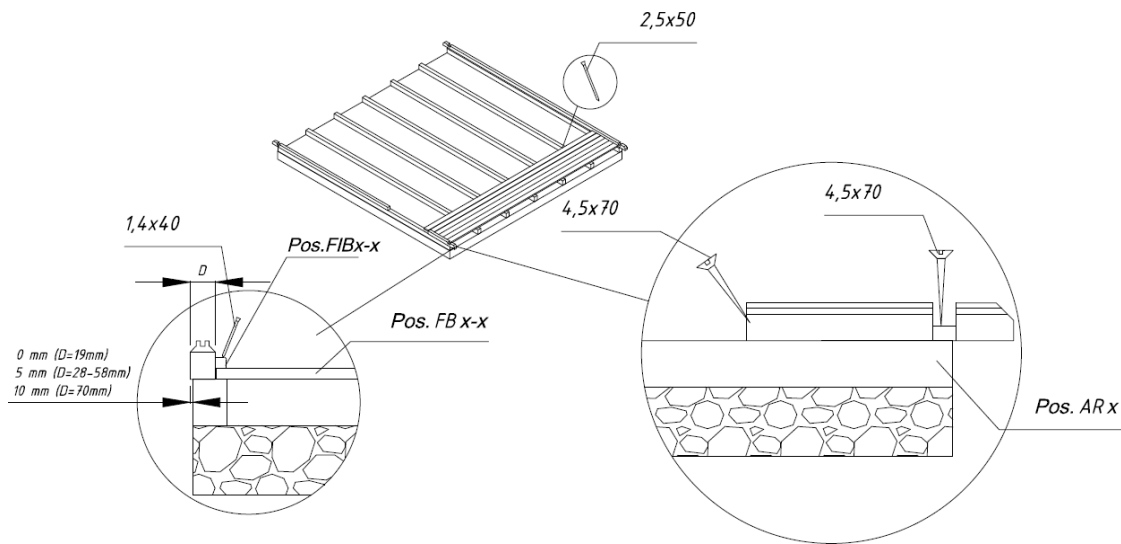
Руководство по сборке – Русский

Расположите пропитанные брусья рамы основания на подготовленный фундамент в соответствии с чертежом через равные интервалы. Следите, чтобы брусья были выставлены по уровню и располагались под прямым углом, прежде чем закрепить их шурупами.

РЕКОМЕНДАЦИЯ: Рекомендуется уложить между брусьями рамы основания и фундаментом защиту от влаги, которая защитит дом от влаги и повреждений.

РЕКОМЕНДАЦИЯ: Для защиты от ветра и шторма рекомендуется закрепить брусья рамы основания на фундаменте. (Для этого используйте, напр., металлические уголки, анкеры и пр.). Этот материал не входит в комплект поставки!

Установка фундаментных брусьев



Стены

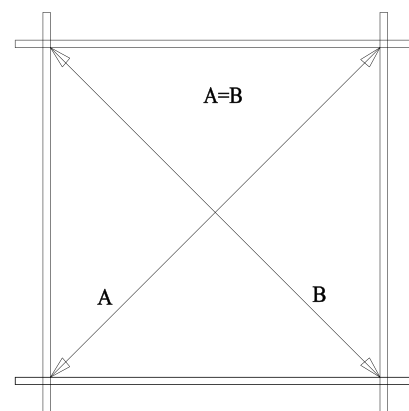
При установке стен важно знать, что:

- Детали всегда монтируются шпунтом вверх!
- При необходимости используйте ударную колодку и молоток! Никогда не бейте молотком прямо по шпунту!

Устанавливайте стены в соответствии с приложенными планами стен (см. Технические данные).

Прежде всего, установите на место половинные детали передней и задней стены, закрепив их шурупами к фундаментным брусьям. Затем установите на место брусья боковой стены. Следите, чтобы первый круг деталей немного заходил за фундаментные брусья: детали должны заходить за брусья примерно на 3-5 мм. Так Вы защитите дом от влаги, чтобы дождевая вода могла свободно уходить в землю.

Круг деталей:



ВНИМАНИЕ: После первого круга деталей измерьте длину диагоналей и при необходимости установите детали заново. Только в том случае, если длины диагоналей абсолютно равны, рама основания является прямоугольной и вы можете скреплять брусья между собой.

Продолжайте установку стен, плотно вгоняя стенные детали одну в другую. При необходимости используйте ударную колодку и молоток. Не забудьте также начать установку двери и окон.

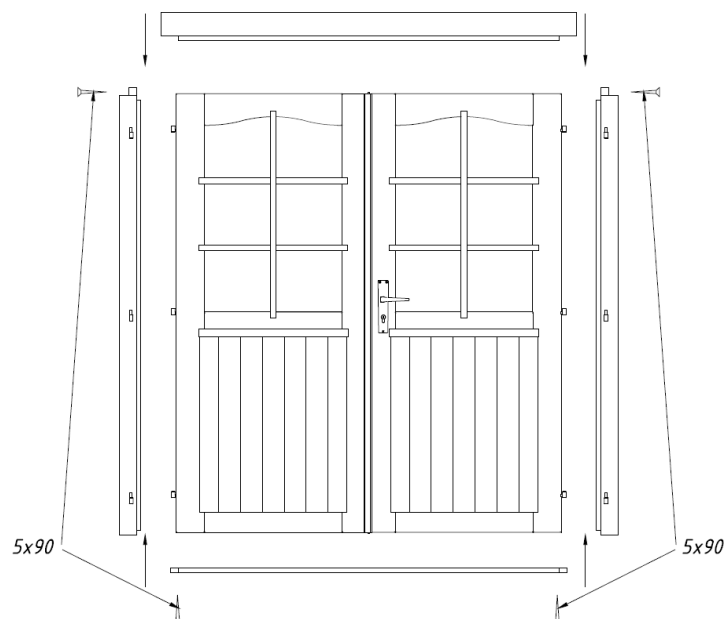
Установку двери следует обязательно начать уже после 5-го или 6-го круга деталей.

Дверь и окно

Дверная рама:

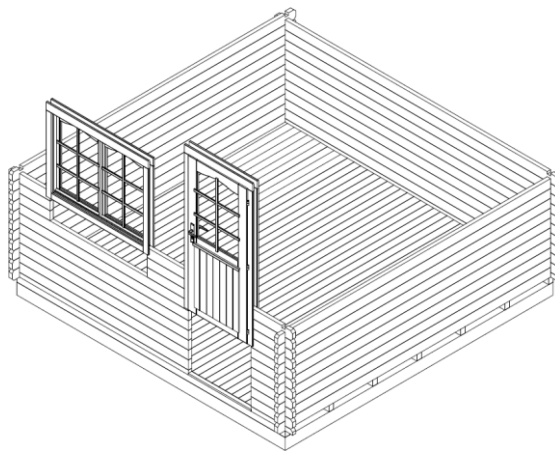
- Для двухсторонней двери дверная рама для удобства транспортировки поставляется частями, и ее прежде всего следует собрать.
- Для этого соберите 4 части рамы и скрепите их вместе.
- Следите, чтобы часть рамы с более глубоким пазом была установлена сверху. Боковые части коробки имеют петли и располагаются зеркально.
- Дверные полотна рекомендуется устанавливать позднее.
- Для односторонней двери дверная рама и полотно уже смонтированы.

Установка дверной рамы (необходимо только для двухсторонней двери!):



Установка двери:

Дверная рама устанавливается в образовавшийся проем и с силой вставляется в нижние детали. В отношении двухсторонней двери теперь следует установить на петли дверные полотна. Для открывания двери смонтируйте запакованные отдельно дверной замок и ручки.



Установка окон:

Продолжайте установку стеновых деталей, пока не дойдете до высоты окна. На планах стен (см. Технические данные) Вы увидите, сколько деталей идет под окно. Установите окно так же, как дверь. Оконную раму вместе с окном надо вставить в оконный проем как и дверь, с силой прижимая ее к нижней детали. Следите, чтобы окно не оказалось смонтированным, так сказать, «вверх ногами».

РЕКОМЕНДАЦИЯ: В части окон и дверей необходимо следить за тем, в какую сторону они открываются. Двери всегда открываются изнутри **наружу**. Поворотн-откидные окна открываются **вовнутрь**. Поворотные и подвесные окна открываются **наружу** (оконные ручки находятся внутри).

ВНИМАНИЕ: Закрепление двери и окна к стеновым деталям не требуется! Если Вы желаете это сделать, то зафиксируйте их только в нижнем краю рамы двумя шурупами, поскольку при высыхании детали стен начнут оседать.

Руководство по сборке – Русский

Окончательно двери и окна можно будет отрегулировать только через 2-3 недели после установки дома, когда дом осядет под воздействием погодных условий.

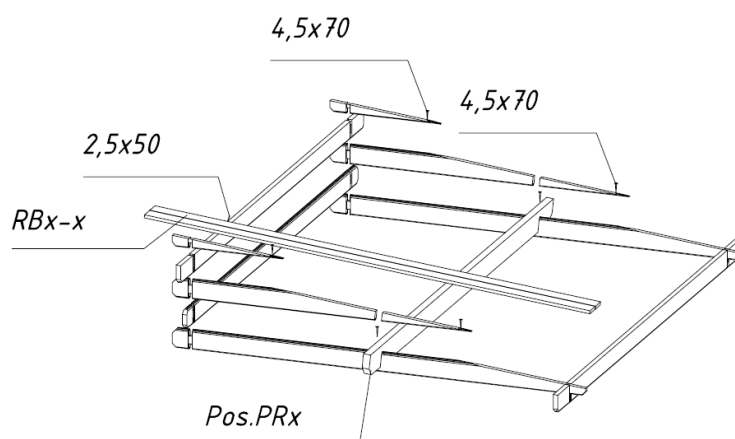
Вальма

Вальма обычно бывает цельной. (Внимание: у некоторых моделей вальма может состоять и из нескольких частей! В таком случае их необходимо заранее скрепить между собой). После установки последних стенных деталей установите вальмы на переднюю и заднюю стену и закрепите шурупами.

На вальмах имеются вырезы для стропил. На стропилах также имеются соответствующие вырезы, поэтому крыша прочно встает на свое место.

Теперь установите стропила в Установка стропил: предусмотренные вырезы для стропил в вальмах.

Проверьте, чтобы верхняя стенная деталь, вальмы и стропила располагались ровно. После установки стропил закрепите их сверху к вальме при помощи шурупов.



ВНИМАНИЕ: В случае если стенные детали не прижаты друг к другу плотно и без зазоров, верхняя стенная деталь и вальмы могут не находиться на одном уровне. В таком случае нужно в соответствии с необходимостью постучать сверху по стенным деталям, либо сделать вальму или боковую стенную деталь немного ниже при помощи рубанка.

Крыша

Перед установкой кровельных досок убедитесь, что дом стоит совершенно ровно. Проверьте при помощи уровня все стены.

ВНИМАНИЕ: При укладке крыши используйте устойчивую лестницу. На крышу нельзя наступать, поскольку конструкция подходит для равномерно распределенной нагрузки (снег, ветер и т.д.), а не для точечной нагрузки!

Начните укладку кровельных досок **с переднего края крыши**. Легким постукиванием соединяйте доски и прибивайте их сверху и снизу гвоздями к стропилам и к верхней стенной детали.

ВНИМАНИЕ: Не прижимайте кровельные доски друг к другу слишком плотно, так можно избежать обусловленных влажностью искривлений! Оставляйте между досками зазор для разбухания около 1 мм.

- В течение всего процесса укладки кровельных досок следите за тем, чтобы они покрывали коньковое стропило и чтобы края досок выходили за край свода крыши на одинаковое расстояние. Проверяйте это при помощи веревки или боковой сводной рейки, которую можно установить для контроля.
- Кровельные доски должны укладываться спереди и сзади вровень с торцами стропил. В случае необходимости при помощи пилы сделайте последние кровельные доски узкими настолько, чтобы они были на одном уровне с торцами стропил.

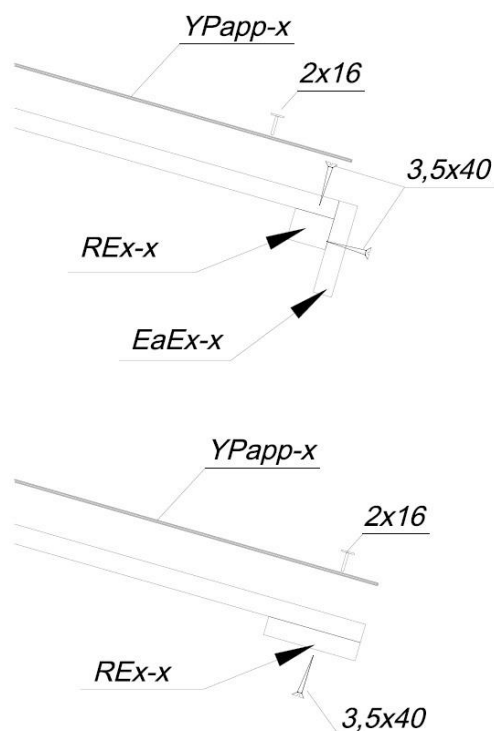
Руководство по сборке – Русский

После укладки кровельных досок необходимо закрепить кровельный материал и рейки.

Входит ли кровельный материал и рейки в комплект данной модели дома, узнаете из таблицы!

Прежде всего, прикрутите под торцами кровельных досок обрешетину и рейки свода. Затем уложите кровельный материал.

Установка кровельных реек:



Кровельный материал (NB! У некоторых моделей дома он в комплект не входит!)

Нарежьте кровельный материал на подходящие куски в соответствии с длиной крыши и начинайте укладку параллельно нижнему краю крыши, двигаясь к коньку и укладывая полосы материала в направлении от задней стены к передней стене. Оставьте материал выходящим на 2-4 см за край. Закрепите кровельный материал к кровельным доскам кровельными гвоздями с интервалом около 15 см. Следите, чтобы полосы материала покрывали одна другую не менее чем на 10 см.

РЕКОМЕНДАЦИЯ: Кровельный материал имеет относительно короткий срок службы. Рекомендуем Вам по возможности покрыть крышу битумно-гонтовым или сотовым покрытием, что придаст Вашему дому и красивый вид. Выполняйте рекомендации производителя кровельного материала и спрашивайте совета у профессионалов.

Пол

Только после того как дом полностью построен, укладываются напольные доски, так Вы сможете избежать бессмысленного загрязнения пола.

Уложите напольные доски на раму основания, подгоните их, постукивая, друг к другу и затем прибейте при помощи гвоздей к фундаментным брускам. В случае необходимости последнюю доску надо будет подогнать по ширине.

В самом конце устанавливается плинтус, чтобы закрыть щели между досками пола и стенами. Плинтус следует при необходимости подогнать по длине.

ВНИМАНИЕ: В зависимости от климата, в котором ставится дом, доски пола также могут уменьшаться или увеличиваться в размере. Если напольные доски слишком сухие, но климат влажный, то они легко будут впитывать влагу. В таком случае нельзя укладывать доски на пол слишком плотно. Так Вы сможете избежать возможных прогибов. Оставьте между досками немного места (1-2 мм) для разбухания. Если же климат жаркий и сухой, можете укладывать доски плотно друг к другу, потому что они высохнут еще больше и между ними могут появиться зазоры.

Штормовые планки (NB! У некоторых моделей дома они в комплект не входят!)

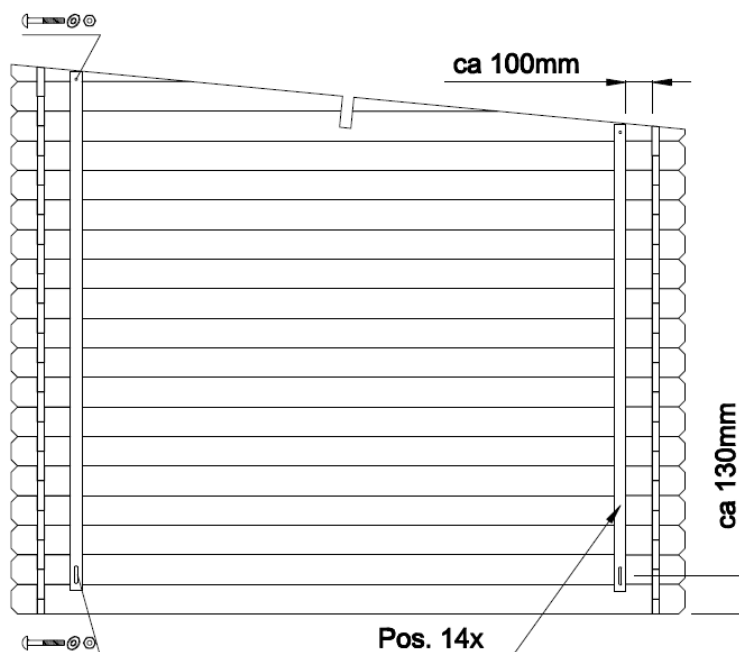
Штормовые планки (если они входят в комплект поставки), закрепите к внутренней стороне передней стены (2 шт.) и задней стены (2 шт.) при помощи имеющихся в комплекте болтов. При этом важно предварительно просверлить детали. Просим соблюдать указанные на чертежах интервалы, чтобы не возникло проблем в ходе увеличения объема или усыхания древесины.

РЕКОМЕНДАЦИЯ: Следите, чтобы штормовые планки были закреплены сверху на вальмовом бруске и снизу в середине первой стеной детали полной длины. В случае необходимости укоротите планки с верхнего края.

Болты нельзя затягивать сильно, чтобы у древесины была возможность дальнейшего увеличения объема/усыхания.

Если дом просел, то крепления следует отрегулировать, чтобы стеной детали имели возможность проседания.

Установка штормовых планок:



Общие рекомендации:

Проблема: *Между стенными деталями появляются зазоры*

Причина: На доме закреплены дополнительные детали, которые не дают древесине увеличиваться в объеме/усыхать

Решения: Если дверь/окно прикреплена к стенным деталям шурупами/гвоздями, то следует удалить шурупы/гвозди;
Если штормовая планка слишком сильно прикручена, то крепление следует ослабить;
Если на стене установлены (водосточные) трубы, то ослабьте крепление труб.

Проблема: *Двери и окна заклинивает.*

Причина: Дом/фундамент просел

Решение: Проверить, ровно ли стоит дом. Вновь выровнять фундаментные брусья и стены.

Причина: Двери и окна разбухли под воздействием влажности.

Решение: Отрегулировать петли дверей и окна, в случае необходимости заузить дверь или окно при помощи рубанка



Желаем Вам успеха в установке садового дома и много радости на долгие годы!

1 Üldinfo



Lugupeetud klient,

Meil on hea meel, et olete otsustanud meie aiamaja kasuks!

Palume Teil enne maja paigaldamisega alustamist montaažjuhend väga hoolikalt läbi lugeda! Nii väldite probleeme ja asjatut ajakulu.

Nõuanded:

- Säilitage majapakki kuni lõpliku kokkumonteerimiseni kuivas kohas, vältides otsesest kokkupuudet maapinnaga ning kaitstuna ilmastikutingimuste (niiskus, päike jms) eest. Ärge hoidke majapakki kuumaks kōetud ruumis!
- Aiamaja asukoha valikul jälgige, et maja ei jääks ekstreemsete ilmastikuolude meelevalda (tugeva lumesaju või tuulega piirkonnad), vastasel korral peaksite maja kinnitama (nt ankrute abil) aluspinnase külge.



Garantii

Teie maja on valmistatud kõrge kvaliteetsest kuusepuidust ja tarnitakse naturaalsel (tõõtlemita) kujul. Kui hoolimata meie põhjalikust kontrollist peaks kaebusi esinema, esitage kauba müüjale täidetud kontroll-leht ja ostuarve.

TÄHELEPANU: Palume kindlasti säilitada maja juurde kuuluv dokumentatsioon! Kontroll-lehelt leiate maja kontrollnumbri. Kaebustega saab arvestada ainult juhul, kui Te edastate müüjale maja kontrollnumbri!

Garantii alla ei kuulu:

- Puidu kui looduslikust materjali loomulikust käitumisest ja iseärasustest tulenevad muutused – paisumine, kahanemine ning toonierinevused
- Detailid, mis on juba värvitud (puidukaitsevahendiga töödeldud)
- Detailid, milles esineb terveid/sissekasvanud oksid, mis ei kahjusta maja stabiilsust
- Puidu struktuuri erinevustest tingitud erinevad värvitoonid, mis ei mõjuta puidu eluiga
- Detailid, milles on (kuivamisest tingitud) väikesed praod/lõhed, mis ei ole läbivad ning ei mõjuta maja konstruktsiooni stabiilsust
- Vändunud puitdetailid
- Katuse- ja põrandalauad, mille mitterahuldavatel pindadel võib esineda hõõeldamata pinda, värvierinevusi ja poomkantsust
- Kaebused, mille on põhjustanud maja asjatundmatu paigaldus või maja vajumine asjatundmatult valmistatud vundamendi tõttu
- Kaebused, mis on põhjustatud omaalgatuslikest muudatustest maja juures, nagu nt puitdetailide ja uste/akende kõveraks tõmbumine asjatundmatu puidu töötlemise tõttu; tormiliistude liiga jäik kinnitamine, ukseraamide krüvimine seinadetailide külge jms.

Garantii alla kuuluvate kaebuste rahuldamine piirdub puuduva/vigase materjali väljavahetamisega. Kõik muud nõudmised on välistatud! Tootja jätab endale õiguse toote tehnilisteks muudatusteks.



Aiamaja värvimine ja hooldus

Puit on looduslik materjal ning kasvab ja kahaneb sõltuvalt ilmastikuoludest. Suured ja väikesed praod, värvitoonide erinevused ning muutused, samuti muutuv puidustruktuur ei ole vead, vaid on puu kasvamise tulemus ning puidu kui loodusliku materjali omapära.

Töötlemata puit (va vundamendiprussid) muutub seistes mõne aja pärast hallikaks, võib tõmbuda siniseks ja minna hallitama. Et kaitsta oma aiamaja puitdetailide, peate Te need koheselt puidukaitsevahendiga töötlemata.

Soovitame katta põrandalauad eelnevalt värvitu puiduimmutusvahendiga, eriti laudade alumised küljed, millele pärast maja kokkumonteerimist enam ligi ei pääse. Ainult sel juhul saab takistada niiskuse sisseimbumist.

Soovitame kindlasti töödelda puiduimmutusvahendiga ka uksi ja aknaid. Oluline on uksi-aknaid töödelda kindlasti nii seest- kui ka väljastpoolt! Vastasel korral võivad nad kõveraks tõmbuda.

Pärast maja montaaži soovitame lõplikul viimistlusel kasutada ilmastikuolude kaitseks värvi, mis kaitseb puitu niiskuse ja UV-kiirguse eest.

Värvimisel kasutage kõrgekvaliteedilisi tööriistu ja värve, järgige värvide kasutusjuhendit, tootja ohutus- ja kasutamisharjutusi. Ärge kunagi värvige otsese päikese käes ega vihmase ilmaga. Laske end erialaspetsialistil nõustada töötlemata okaspuu jaoks mõeldud värvide osas ja järgige värvitootja juhiseid.

Reeglipärane maja värvimine pikendab oluliselt Teie aiamaja eluiga. Kord poole aasta järel soovitame Teil maja hoolikalt üle vaadata.

2 Ettevalmistus montaažiks

Töövahendid ja detailide ettevalmistus

Aiamaja montaažiks on Teil vaja järgmisi tööriistu:



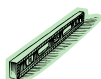
montaažiabiline



redel



haamer



vesilood



kruvikeeraja



saag



nuga



mõõdulint



tangid



puur

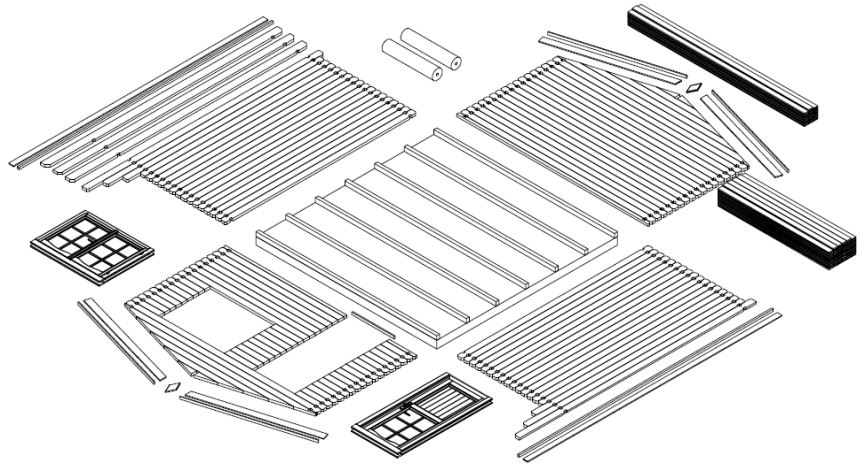
NÕUANNE: Vältimaks võimalikke pinde, soovitame kanda monteerimise ajal vastavaid kaitsekindaid.

Paigaldusjuhend – Eesti

Detailide ettevalmistus:

Sorteeri detailid vastavalt seinaplaanidele (vt Tehnilised andmed) ja asetage need paigaldamise järjekorras maja nelja külge.

TÄHELEPANU: Ärge asetage detaile kunagi otse murule või porisele pinnale, sest neid on hiljem väga raske või hoopis võimatu puhastada!



Vundament

Kõige olulisem Teie maja kestvuse ja turvalisuse huvides on hea vundament. Ainult täiesti loodis, täisnurkne ja kandev vundament tagab probleemideta majapaigalduse, maja stabiilsuse ja eelkõige uste sobimise. Hea vundamendiga kestab Teie maja palju aastaid kauem.

Valmistage vundament nii, et selle ülemine äär ulatub maapinnast vähemalt ca 5 cm kõrgusele. Samas jälgige ka, et maja põranda alla jääks piisavalt õhuavasid ventileerimiseks.

Soovitame järgmiseid vundamendivariante:

- Lint- või postvundament
- Betooni- või kõnniteeplaatidest vundament
- Valatud betoonalus

Valmistage vundament nii, et vundamendiprussid oleksid toetatud igalt poolt mitte suurema vahe tagant kui 50-60 cm.

Laske end erialaspetsialistil nõustada või laske vundament spetsialistidel ette valmistada.

3 Aiamaja montaaž

TÄHELEPANU:

- Majapakist leiate lisaks 2-3 märgistatud löögiklotsi (ca 20-30 cm-pikkune seinaprofiil)

Need nimetatud detailid EI OLE tükitabelites märgitud.

- Joonistel on detailid tähistatud kolmekohaliste positsiooninumbritega. Nende detailide täpsed positsioonid, mille kolmas number on tähistatud „x”-iga, leiate Te tükitabelist.

Alusraam (Vundamendiprussid)

Maja alusraam peab olema täiesti tasane ja loodis, et tagada edasine probleemideta majapaigaldus.

TÄHELEPANU: erinevatel majadel võib olla erinev vundamendi asetus – vaadake lisatud alusraamijoonist (vt Tehnilised andmed)!

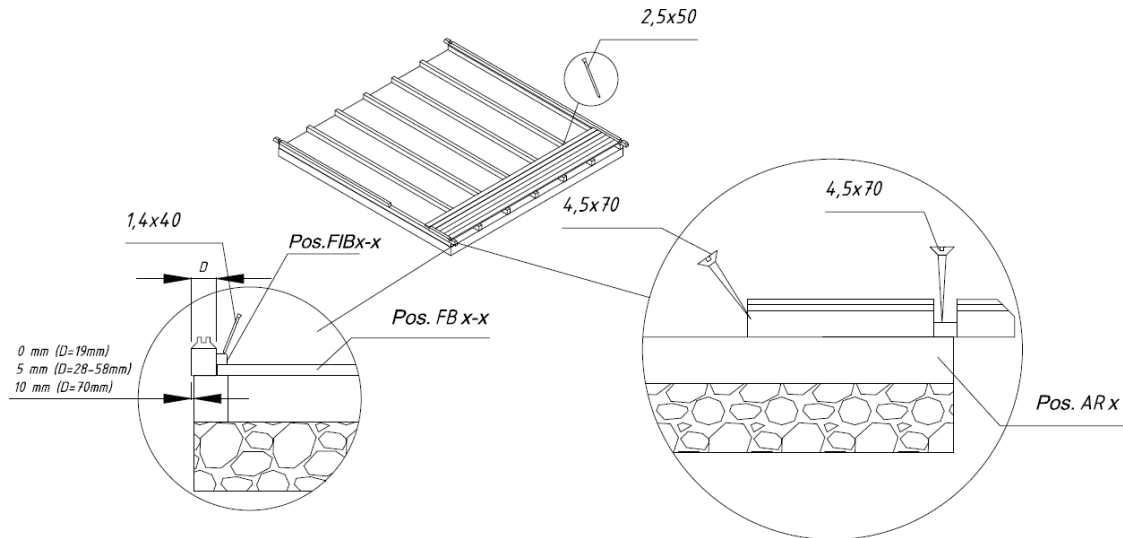
Paigutage immutatud alusraamiprussid ettevalmistatud vundamendile vastavalt joonisele võrdse vahe tagant. Jälgige, et prussid asetseksid loodis ja täisnurkselt, enne kui Te need kokku kruvite.

NÕUANNE: Soovitav on panna alusraamiprusside ja vundamendi vahele niiskustõke, mis kaitseb maja niiskuse ja rikkemise eest.

NÕUANNE: Tuule- ja tormikahjustuste kaitseks on soovitatav kinnitada alusraamiprussid vundamendi külge. (Selleks kasutage nt metallnurgikud, ankruid vms) See materjal ei kuulu tarnekomplekti!

Paigaldusjuhend – Eesti

Vundamendiprusside paigaldus



Seinad

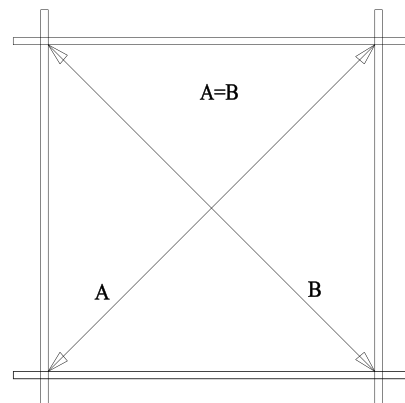
Seinte paigaldamisel on oluline teada, et:

- detailid monteeritakse alati punn ülespoole!
- vajadusel kasutage löögiklotsi ja haamrit! Mitte kunagi lüüa haamriga otse punni peale!

Paigaldage seinad vastavalt lisatud seinaplaanidele (vt Tehnilised andmed).

Kõigepealt asetage kohale poolikud esi- ja tagaseina detailid ning kinnitage need kruvidega vundamendiprusside külge. Järgmisena asetage paika küljeseina prussid. Siin jälgige, et esimene detailiring ulatuks veidi üle vundamendiprusside: detailid peaksid ca 3-5 mm üle prusside ulatuma. Nii kaitsete maja niiskuse eest, et vihmavesi saaks vabalt maasse voolata.

Detailiring:



TÄHELEPANU: Pärast esimest detailiringi mõõtke diagonaalide pikkused ja vajadusel paigaldage detailid uuesti! Ainult juhul, kui diagonaalide pikkused on täpselt võrdsed, on alusraam täisnurkne ja Te võite prussid üksteise külge kinnitada.

Jätkake seinte paigaldamisega surudes seinadetailid tugevasti üksteise sisse. Vajadusel kasutage löögiklotsi ja haamrit. Ärge unustage aga alustada ka ukse ja akende paigaldusega.

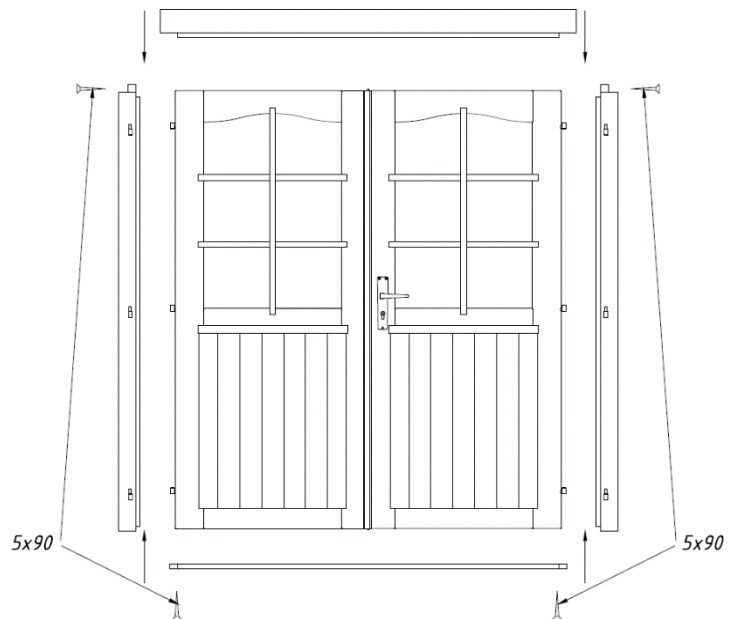
Ukse paigaldamisega peaksite alustama kindlasti juba pärast 5.-6. detailiringi.

Uks ja aken

Ukseraam:

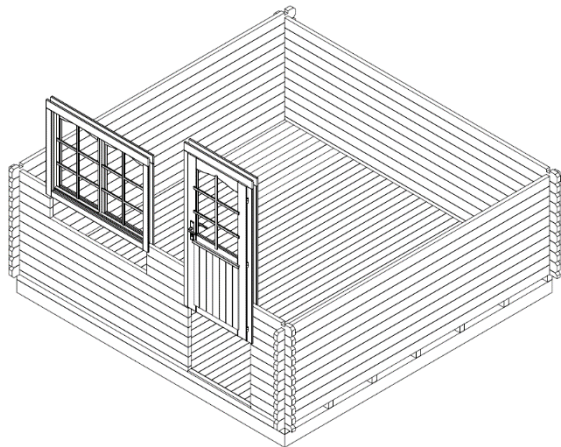
- Kahe poolega ukse puhul tarnitakse ukseraam transpordi tõttu osadena ja see tuleb Teil kõigepealt kokku monteerida.
- Selleks asetage 4 raami osa kokku ning kruvige üksteise külge.
- Jälgige, et sügavama sisselöikega raami osa paigaldataks ülespoole. Külgmised lengiosad on hingedega ja peegelpildis.
- Ukselehed on soovitatav paigaldada hiljem.
- Ühe poolega ukse puhul on ukseraam ja ukseleht juba kokku monteeritud.

Ukseraami paigaldamine (Vajalik ainult kahe poolega ukse puhul!):



Ukse paigaldamine:

Ukseraam asetatakse tekkinud ava kohale ja lükatakse tugevasti alumise detaili peale. Kahe poolega ukse puhul asetage nüüd hingedele ukselehed. Ukse avamiseks monteerige eraldi pakitud ukسلukk ja lingid.



Akende paigaldamine:

Jätkake seinadetailide paigaldamist kuni jõuate akna kõrgusele. Seinaplaanidest (vt Tehnilised andmed) näete, mitu detaili akna alla läheb. Paigaldage aken sarnaselt uksega. Aknaraam koos aknaga lükata nagu ukski aknaavasse, tugevasti alumise detaili peale. Jälgige, et akent ei monteeritaks tagurpidi (nö pea peale).

NÕUANNE: Akende ja uste puhul jälgida tingimata seda, kummale poole nad avanevad. Uksed avanevad alati seestpoolt **väljapoole**. Pöörd-kallutatavad aknad avanevad **sissepoole**. Pöörd- ja rippaknad avanevad **väljapoole** (aknaligid asuvad seespool).

TÄHELEPANU: Ukse ja akna seinadetailide külge kinnitamine ei ole vajalik! Kui soovite seda teha, siis fikseerige nad vaid raami alumisest otsast paari kruviga, sest kuivades hakkavad seinadetailid allapoole vajuma.

Lõplikult saab ukse-aknaid reguleerida alles ca 2-3 nädalat pärast maja paigaldamist, kui maja on ilmastikuoludega kohanenud ja detailid vajunud.

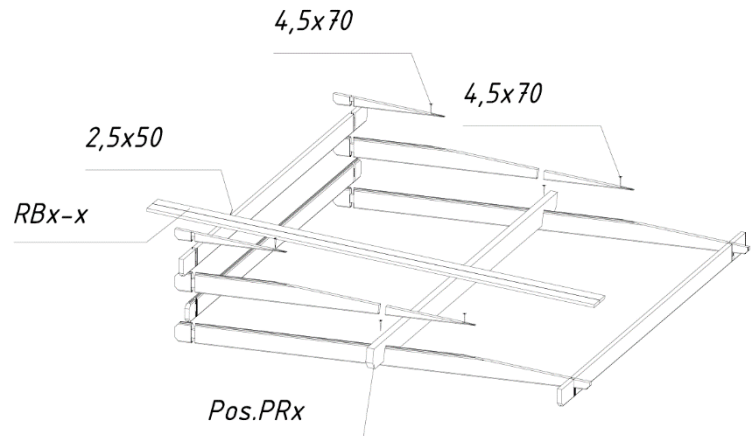
Kelp

Kelp on enamasti ühes tükis. (Tähelepanu: mõnede mudelite puhul võib kelp koosneda ka mitmest osast! Sel juhul tuleb need eelnevalt kokku kruvida.) Pärast viimaste seinadetailide paigaldamist asetage kelbad esitagaseina peale ning kinnitage kruvidega.

Kelpades on sälgud pärline jaoks. Ka pärline on vastavad sälgud, nii asetub katus kindlalt ja õigesse kohta paika.

Asetage nüüd pärline kelpades Pärline paigaldus: pärline jaoks ette nähtud sälkudesse.

Kontrollige, et ülemine seinadetail, kelbad ja pärline asetseksid tasapinnas. Pärast pärline paigasobitamist kruvidega ülevalt kelba külge.



TÄHELEPANU: Juhul, kui seinadetailid ei ole korralikult ilma vahedeta üksteise peale surutud, võivad ülemine seinadetail ja kelbad mitte tasapinnas asetseda. Sel juhul peaksite vastavalt vajadusele seinadetailile allapoole koputama või kelpa või külge seinadetaili veidi madalamaks hõõeldama.

Katus

Enne katuselaudade paigaldamist jälgige, et maja oleks täiesti loodis. Kontrollige vesiloodi abil kõiki seinu.

TÄHELEPANU: Katuse paigaldamisel kasutada stabiilset redelit. Katusele ei tohi astuda, kuna konstruktsioon on sobiv ühtlase koormuse (lumi, tuul jne), aga mitte punktkoormuse jaoks!

Alustage katuselaudade paigaldamist **katuse esiservast**. Koputage laud kergelt kokku ja naelutage need ülalt ja alt naeltega pärline ja ülemise seinadetaili külge.

TÄHELEPANU: Ärge suruge katuselaudu liiga tihedasti kokku, nii väldite niiskusest tekkida võivaid kummumisi! Jätke laudade vahele ca 1 mm vahe paisumiseks.

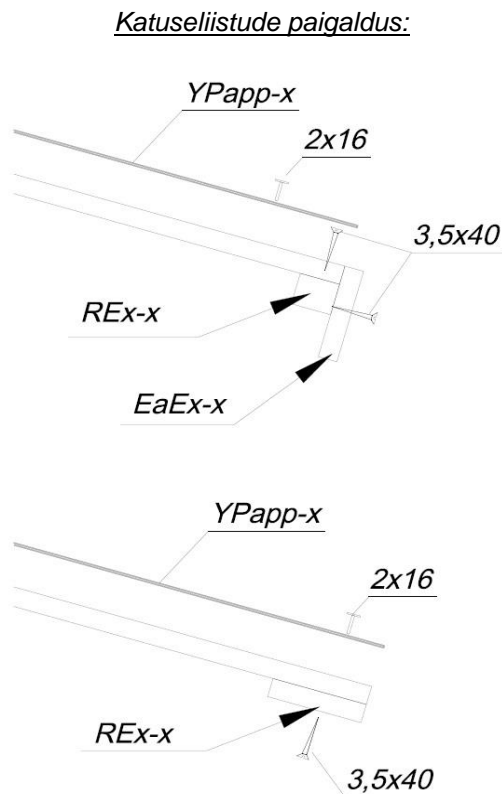
- Jälgige kogu katuselaudade paigaldamise ajal seda, et need harjapärline kataksid ja laudade räästapoolsed otsad ühekaugelt ulatuksid. Kontrollige seda nõõri või külgmise räästaliistu abil, mille võite kontrollimiseks paigaldada.
- Katuselaud peavad eest ja tagant pärline otstega tasa olema. Vajadusel saagige mõlemad viimased katuselaud nii kitsaks, et nad pärline otstega tasa oleksid.

Paigaldusjuhend – Eesti

Pärast katuselaudade paigaldamist tuleb kinnitada katusepapp ja katuseliistud.

Kas katusekattematerjal ja -liistud antud majamudeli juurde kuuluvad, leiate tükitabelist!

Kõigepealt kruvige katuselaudade otste alla räästaroovid ja räästaliistud. Seejärel paigaldage katusekattematerjal.



Katusekattematerjal (NB! Mõnedel majamudelitel ei ole seda komplektis!)

Lõigake katusepapp vastavalt katuse pikkusele sobivateks tükkideks ning alustage paigaldust paralleelselt katuse allservaga liikudes harja poole, asetades papiribad tagaseinast esiseina suunas. Jätke papp äärest ca 2-4 cm üle ulatuma. Kinnitage katusepapp katuselaudade külge kaasasolevate papinaeltega ca 15 cm vahedega. Jälgige, et papiribad kataksid üksteist vähemalt 10 sentimeetri ulatuses.

NÕUANNE: Katusepapp on suhteliselt lühikese kestvusajaga. Soovitame Teil võimaluse korral katta katus bituumensindlite või -kärgekatega, mis annab Teie majale ka ilusa välimuse. Järgige kattermaterjali tootja nõuandeid ja küsige nõu oma erialaspetsialisti käest.

Põrand

Alles seejärel, kui maja on tervikuna üles ehitatud, paigaldatakse põrandalauad, nii väldite asjatut põranda määrdumist.

Asetage põrandalauad alusraamile, koputage nad kergelt üksteise vastu ning seejärel naelutage need tugevasti vundamendiprusside külge. Vajaduse korral tuleb viimane põrandalaud laiuselt parajaks lõigata.

Kõige lõpuks sobitatakse põrandaliistud, et katta põrandalaudade ja seinte vahelisi vahesid. Põrandaliistud tuleb vajadusel õigesse pikkusesse lõigata.

TÄHELEPANU: Olenevalt kliimast, kus maja üles pannakse võivad ka põrandalauad nii paisuda kui kahaneda. Kui põrandalauad on väga kuivad, kuid kliima niiske, imavad nad kergesti niiskust sisse. Sel juhul ei tohiks põrandalaua väga tihedasti üksteise kõrvale kinnitada. Nii väldite võimalikke kummumisi. Jätke põrandalaudade vahele pisut ruumi (1-2 mm) paisumiseks. Kui Teie kliima on aga kuum ja kuiv, võite paigaldada lauad tihedalt üksteise vastu, sest need kuivavad veelgi ja laudade vahele võivad tekkida vahed.

Tormiliistud (NB! Mõnedel majamudelitel ei ole komplektis!)

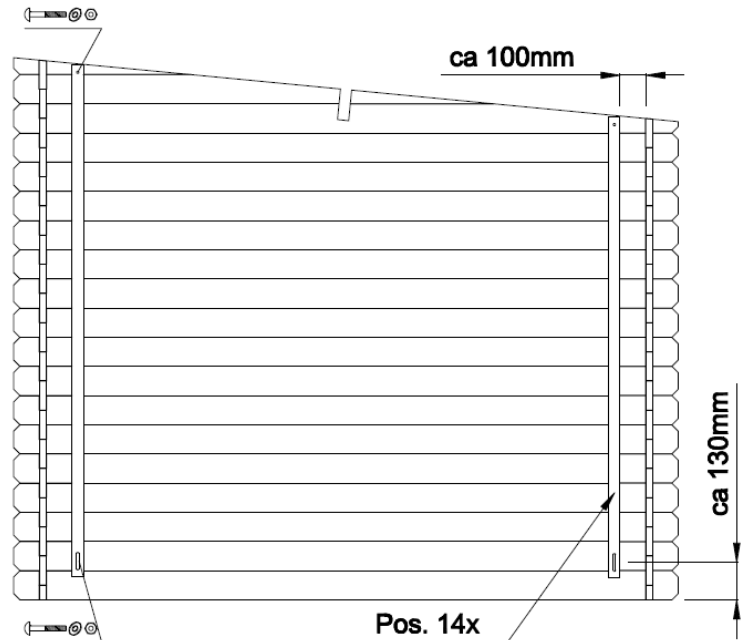
Tormiliistud (kui kuuluvad tarne komplekti) kinnitage esi- (2 tk) ja tagaseina (2 tk) siseküljele kaasasolevate poltide abil. Siinjuures on oluline detailid enne läbi puurida. Palume jälgida joonisel näidatud vahekaugusi, et ei tekiks probleeme puidu paisumise või kahanemise käigus.

NÕUANNE: Jälgige, et tormiliistud oleksid kinnitatud ülevalt kelbaprussi külge ja altpoolt esimese täispikkusega seinadetaili keskele. Vajadusel tehke liistud ülemisest otsast lühemaks.

Polte ei tohi kõvasti kinni keerata, et võimaldada puidu edasist paisumist-kahanemist).

Kui maja on vajunud, tuleb kinnitusi reguleerida, et seinadetailid saaksid allapoole vajuda.

Tormiliistude paigaldus:



Üldised nõuanded:

Probleem: *Seinadetailide vahele tekivad vahed*

Põhjus: Maja külge on kinnitatud lisadetailid, mis ei lase puidul kasvada/kahaneda

Lahendused: Kui uks/aken on kruvide/naeltega seinadetailide külge kinnitatud, siis kruvid/naelad eemaldada;

Kui tormiliist on liiga kõvasti kinni kruvitud, kinnitust lõdvemaks lasta;

Kui seinale on paigaldatud (vihmavee)torud, lasta torude kinnitused lõdvemaks;

Probleem: *Uksed ja aknad kiiluvad kinni.*

Põhjus: Maja/vundament on vajunud

Lahendus: Kontrollida kas maja on loodis. Vundamendiprussid ja seinad taas loodi ajada.

Põhjus: Uksed ja aknad on niiskuse tõttu paisunud.

Lahendus: Reguleerida ukse ja akna hingi; vajadusel ust või akent kitsamaks hõõveldada



Soovime Teile palju edu aiamaja paigaldamisel ning palju rõõmu pikkadeks aastateks!