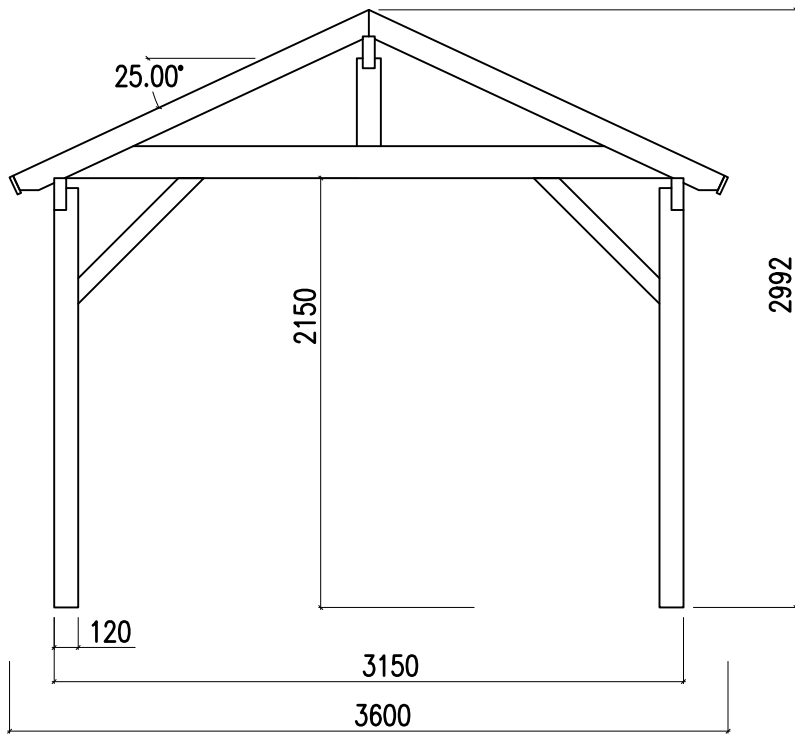
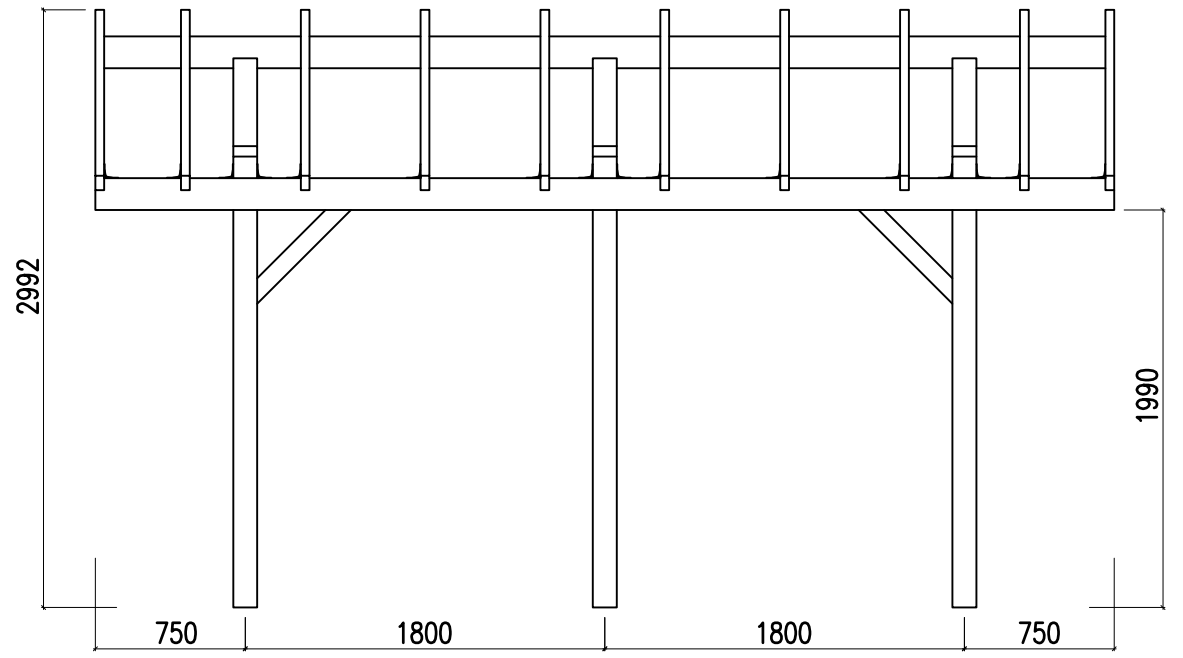


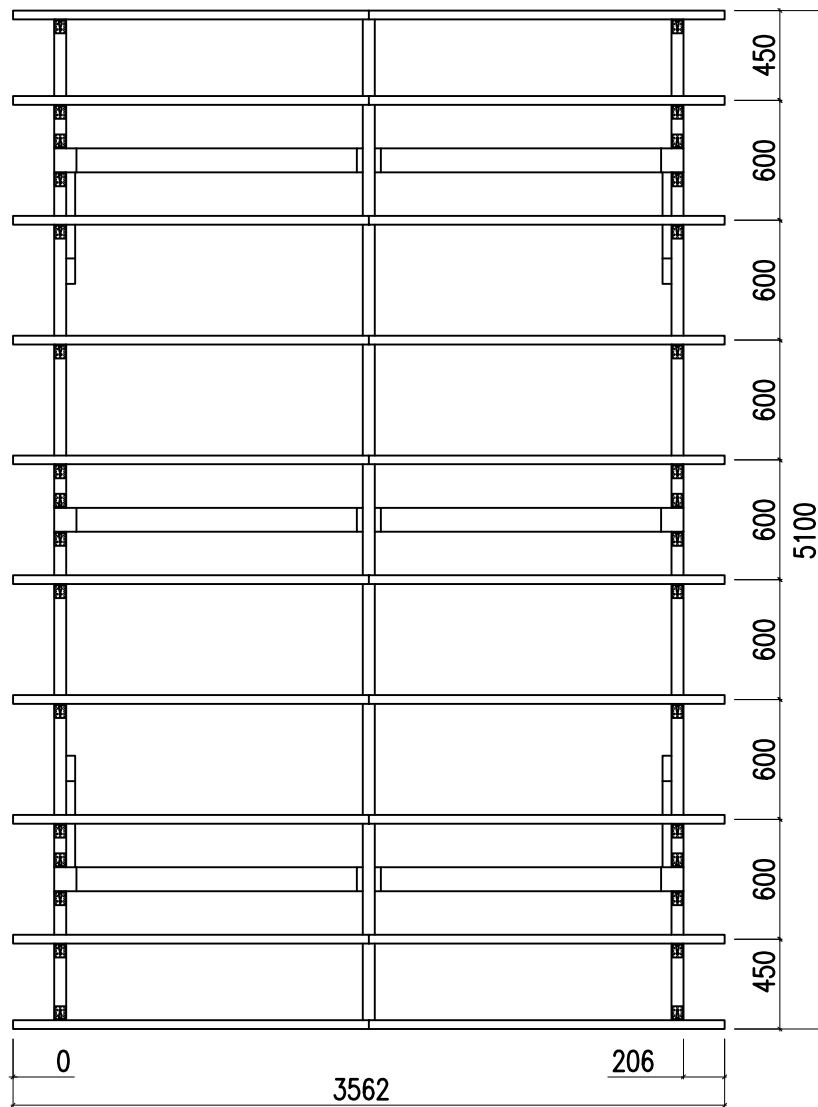
Robert 11.7 m2



Front

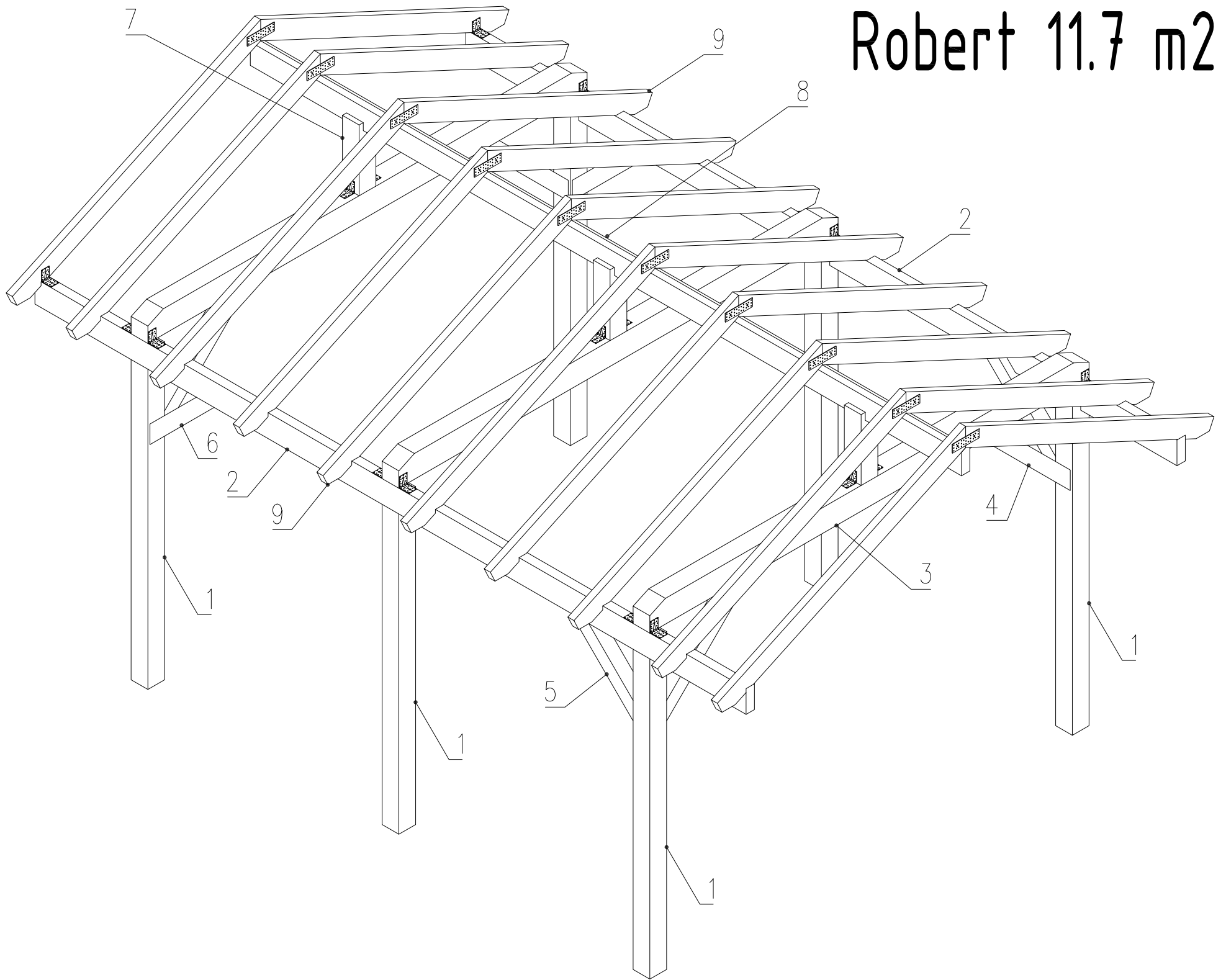


Left



Top

Robert 11.7 m2

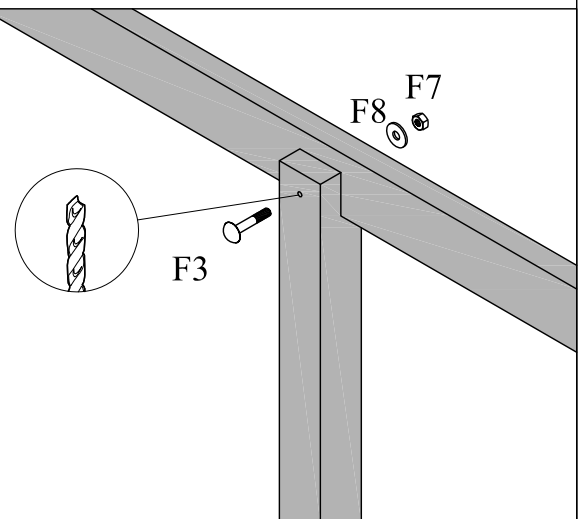
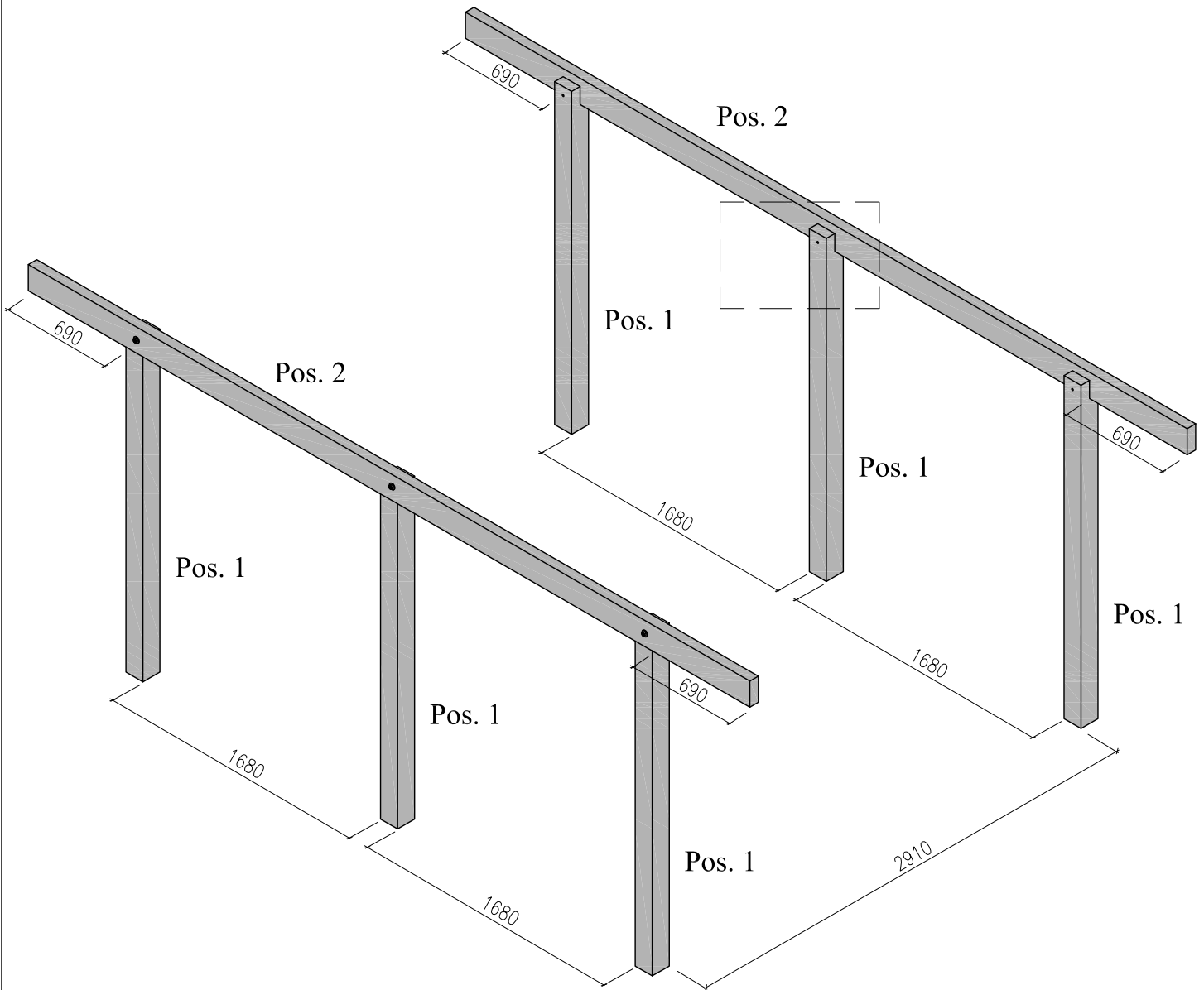


Pos	Name	Pcs	Length	Width	Height
1	Post	6	2100	120	120
2	Beam	2	5100	60	160
3	Beam	3	3150	120	160
4	Diagonal	4	900	90	90
5	Diagonal	2	800	90	90
6	Diagonal	2	800	90	90
7	Ridge support	3	440	120	120
8	Ridge	1	5100	60	160
9	Roof Rafter	20	1965	44	120
10	Roof board	44	3450	19	89
11	Roof board	44	1650	19	89
12	Fascia board	4	1984	19	120
13	Eave edging	2	5100	19	95

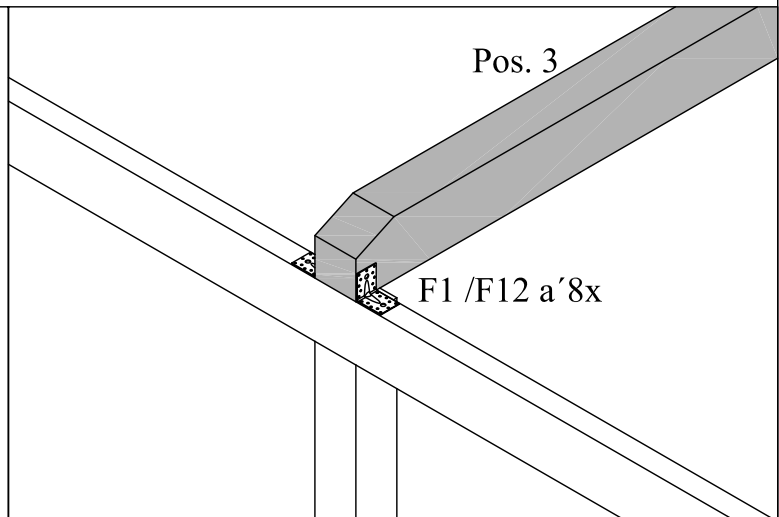
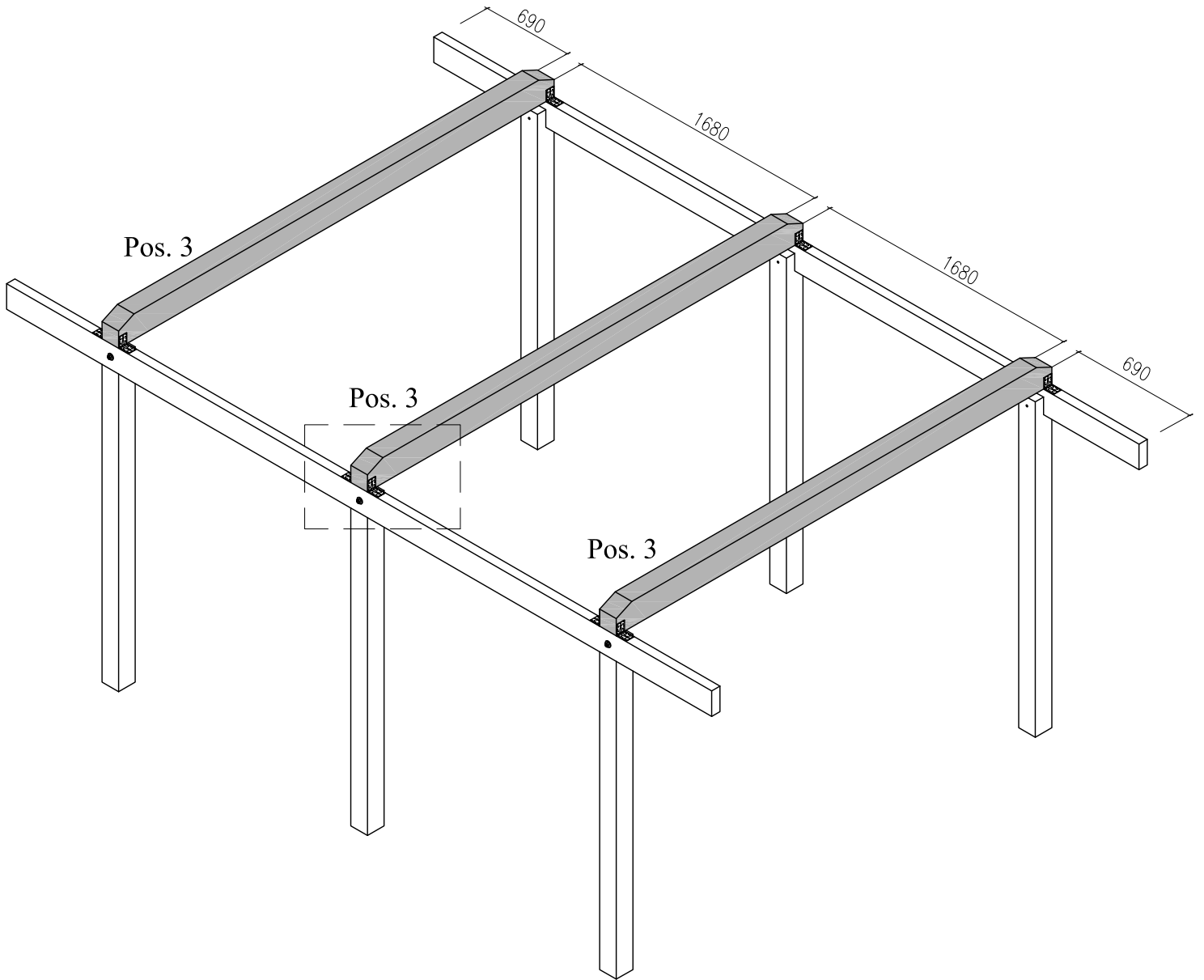
Fixing materials for Robert 11.7 m²

F1	Winkel	38	70x70x55	QNU707055
F2	Nailing plate	20	200x50x2.5	QNP50x200ZN
F3	Bolt	6	M12x140	QPUP012x140
F4	Bolt	20	M10x70	QKSP010x70Zn
F5	Hex head wood screw	12	ø10x140	QKSKR10x140ZN
F6	Nut	6	M12	QMU12
F7	Nut	20	M10	QMU10
F8	Washer	6	ø13/37x3	QSE12
F9	Washer	12	ø10.5/30x2.5	QSE10x30
F10	Screw	36	6x90	QKR6x90ZN
F11	Screw	50	4.5x50	QKR4_5x50ZN
F12	Nail	470	4x40	QNA4x40
F13	Nail	500	3x70	QNA3x70ZN
F14	Hole plug	12	ø30	Qaugukate30mm

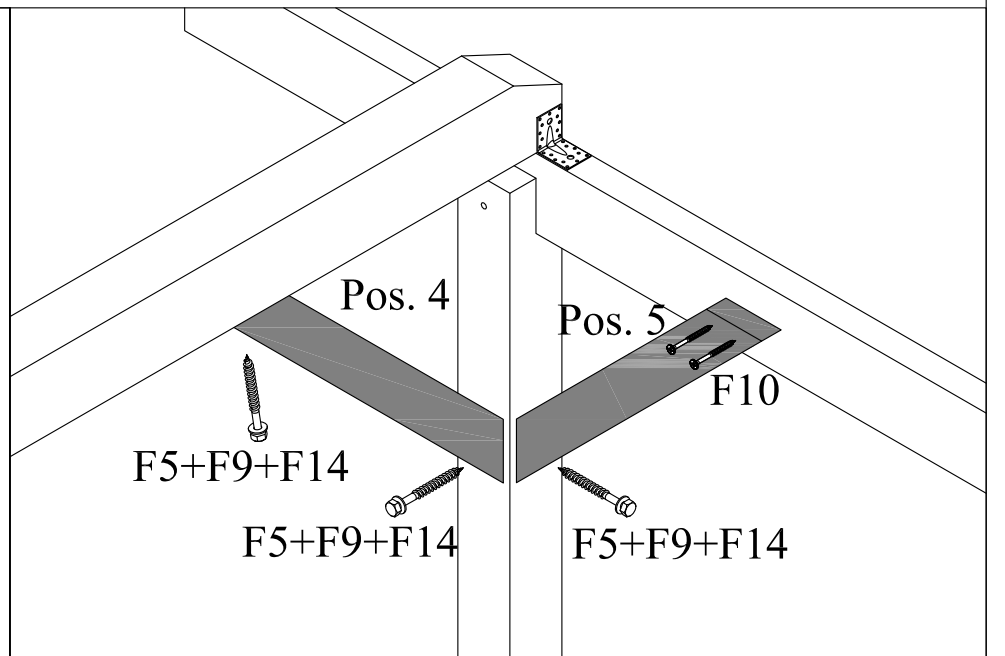
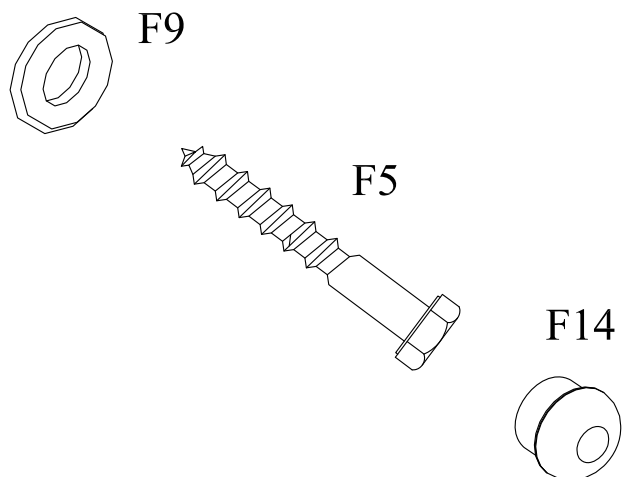
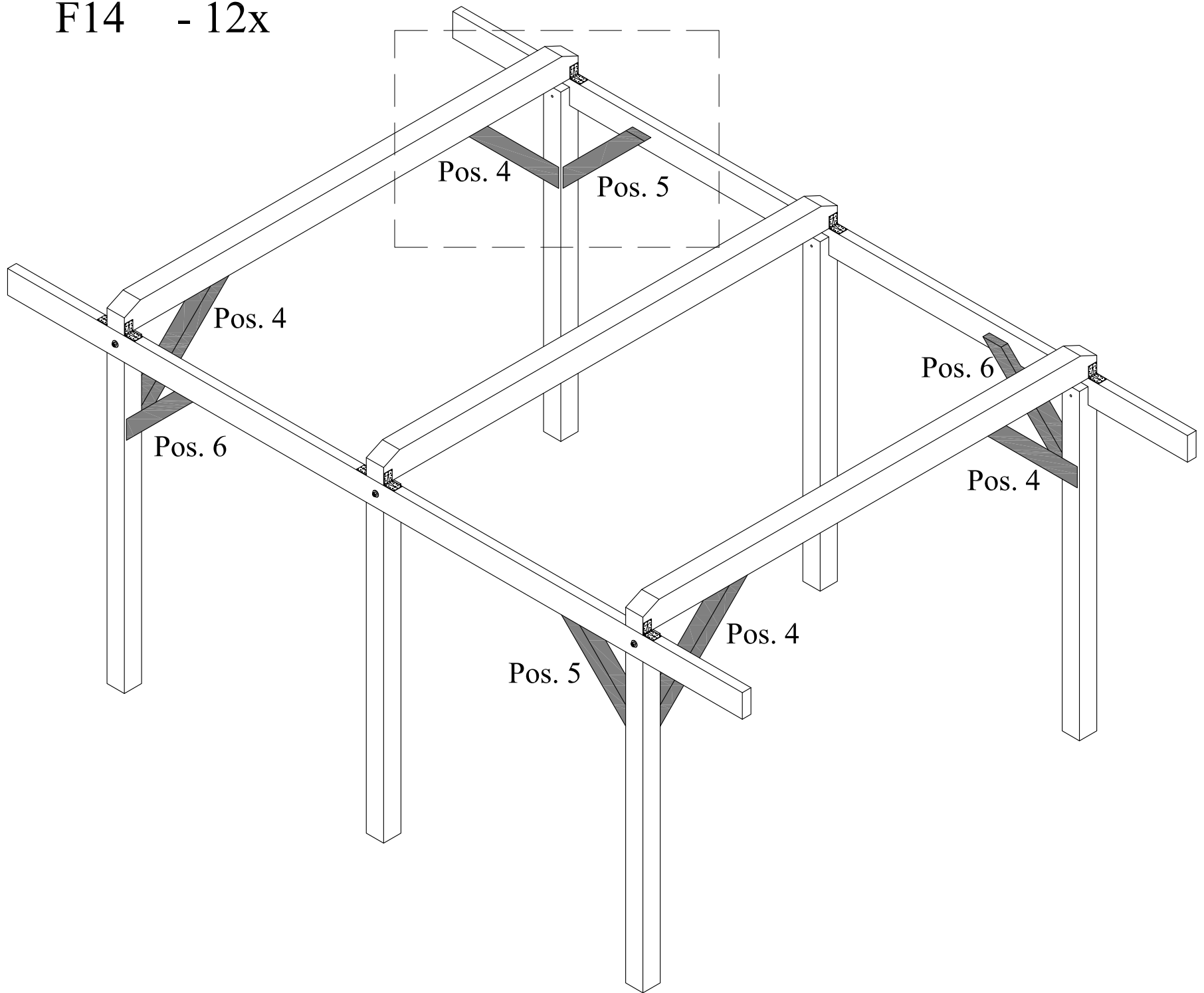
- Pos. 1 - 6x
- Pos. 2 - 2x
- F3 - 6x
- F6 - 6x
- F8 - 6x



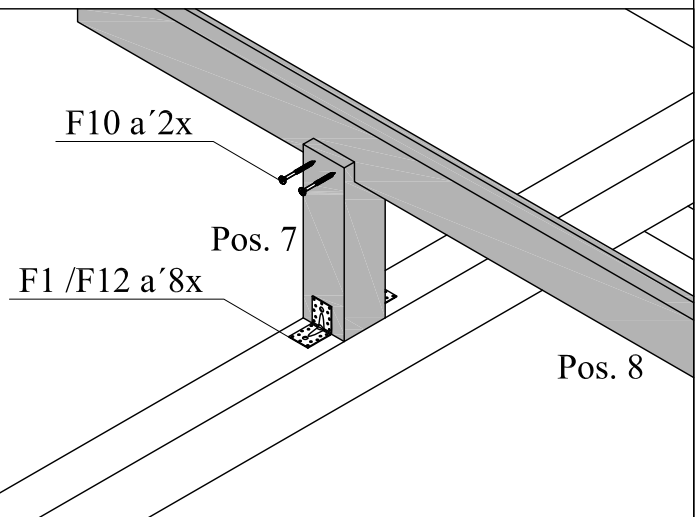
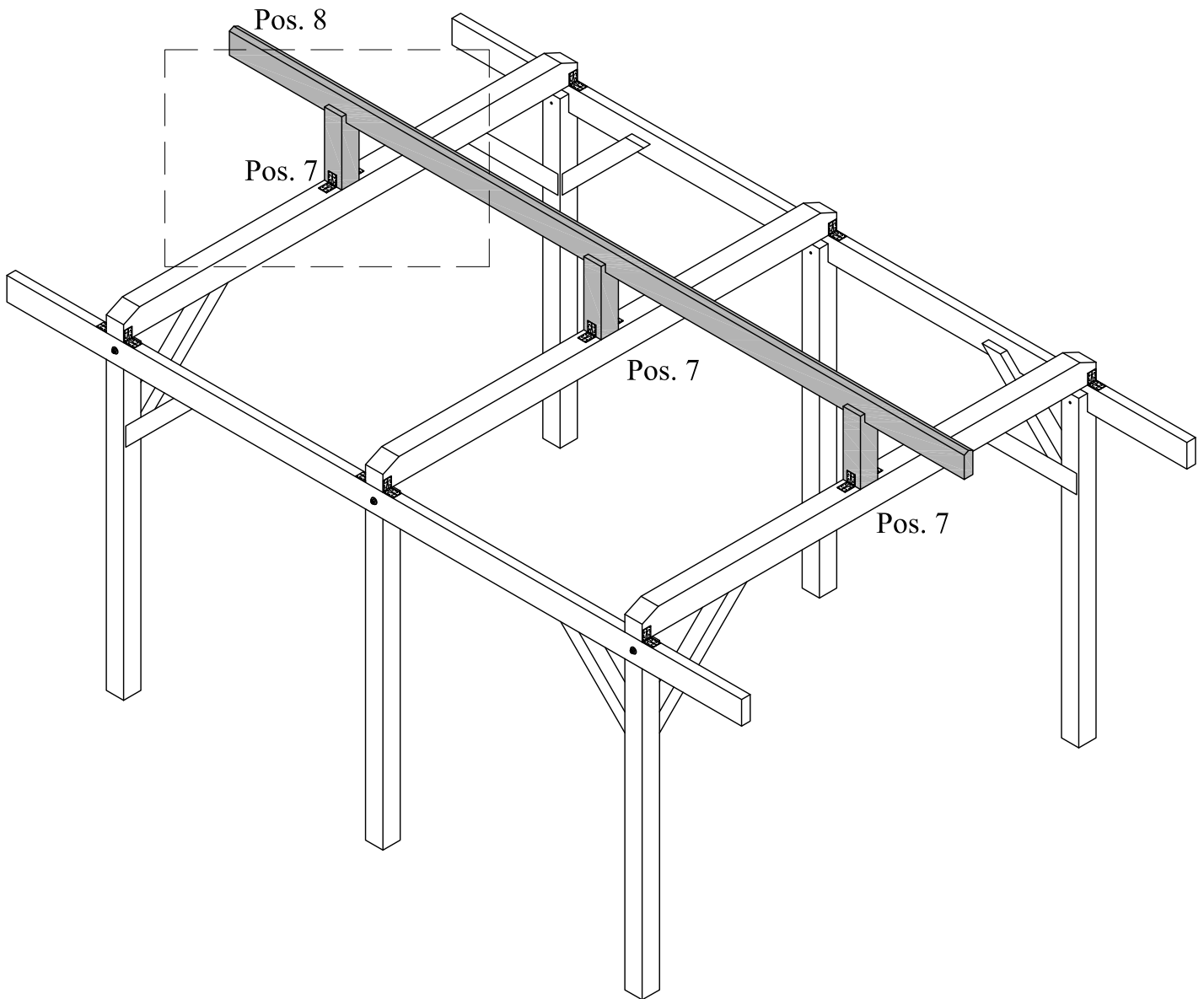
Pos. 3 - 3x
F1 - 12x
F12 - 96x



- Pos. 4 - 4x
- Pos. 5 - 2x
- Pos. 6 - 2x
- F5 - 12x
- F9 - 12x
- F10 - 8x
- F14 - 12x

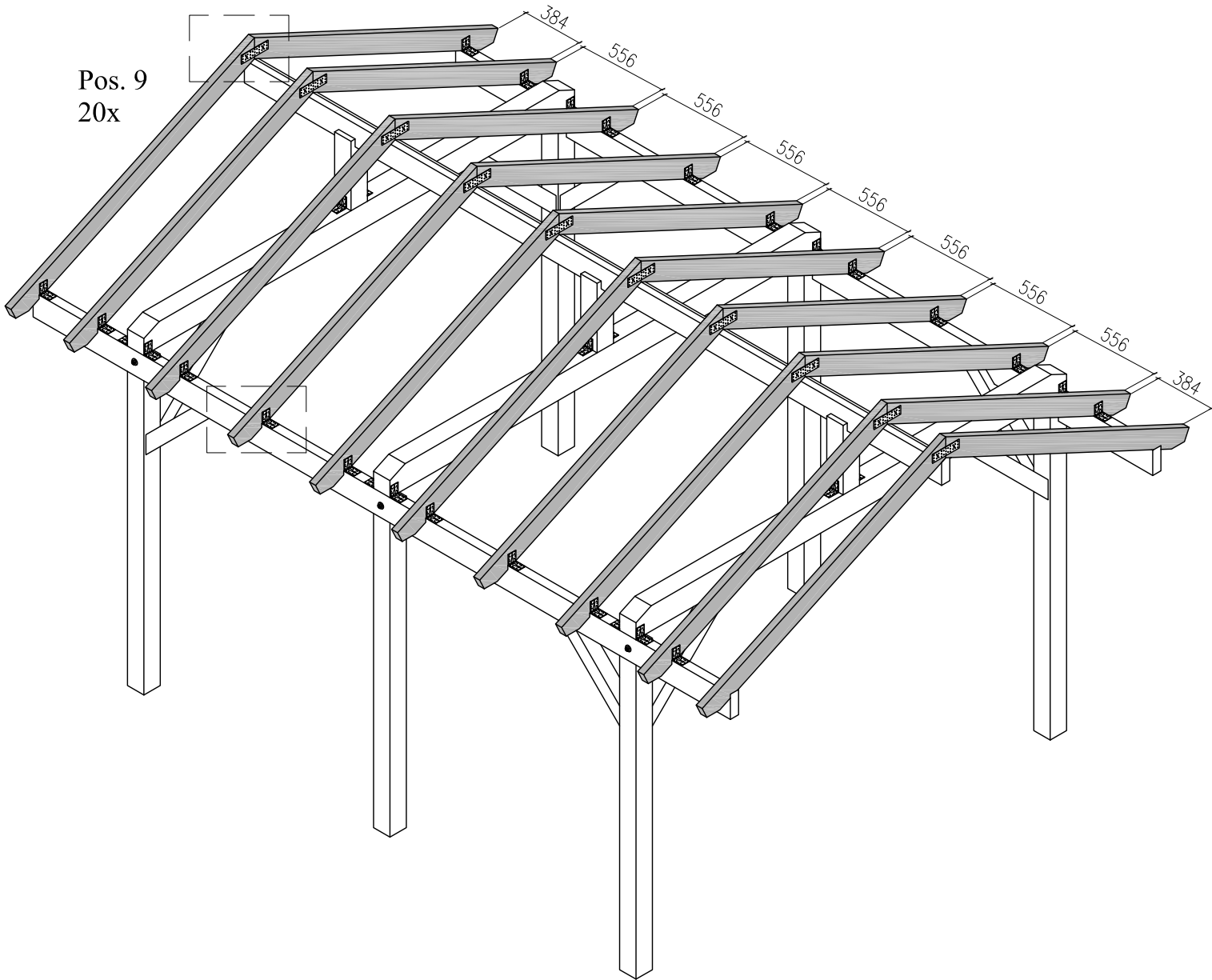


- Pos. 7 - 3x
- Pos. 8 - 1x
- F1 - 6x
- F12 - 48x
- F10 - 6x



Pos. 9 - 20x
F1 - 20x
F2 - 20x
F4 - 20x

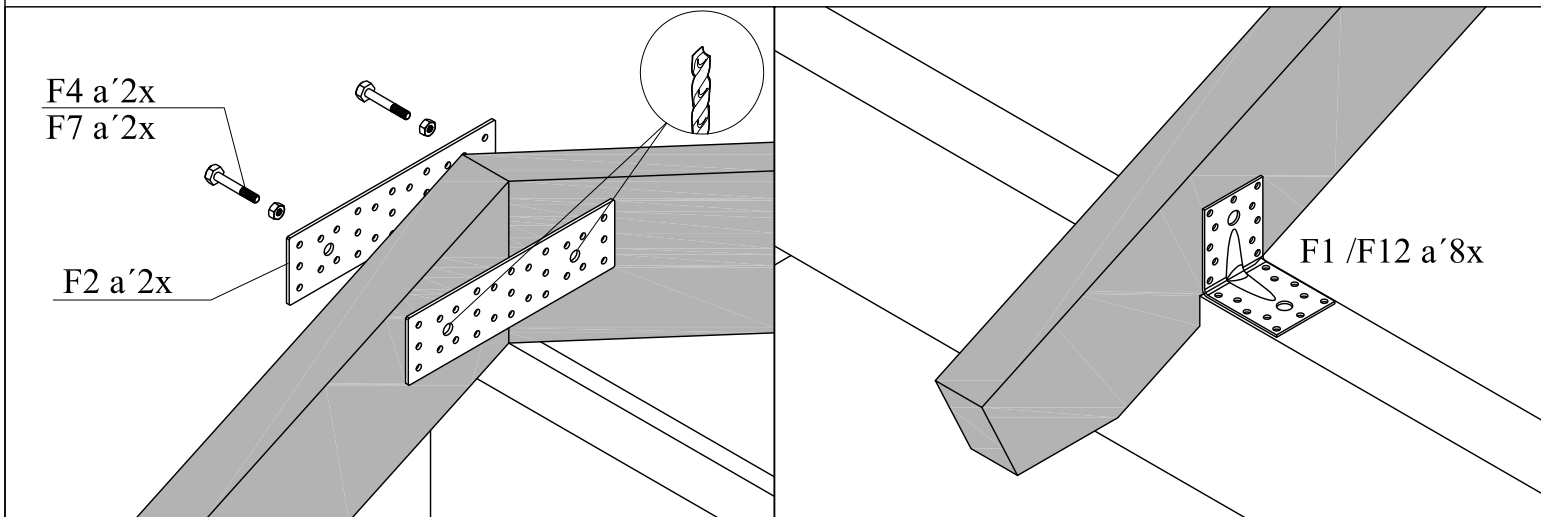
F7 - 20x
F12 - 320x



F4 a'2x
F7 a'2x

F2 a'2x

F1 / F12 a'8x



- Pos. 10 - 44x
- Pos. 11 - 44x
- Pos. 12 - 4x
- Pos. 13 - 2x
- F13 - 500x
- F11 - 50x

