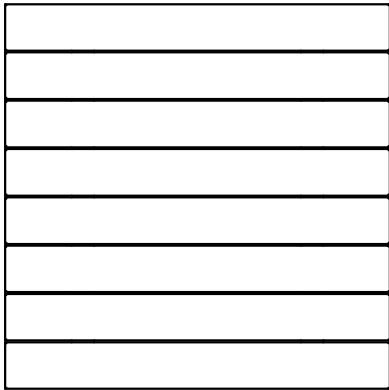
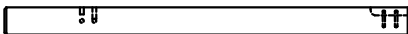

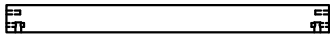
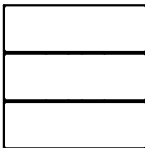
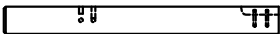
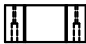
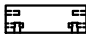

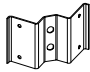
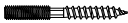

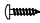



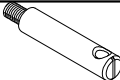
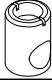

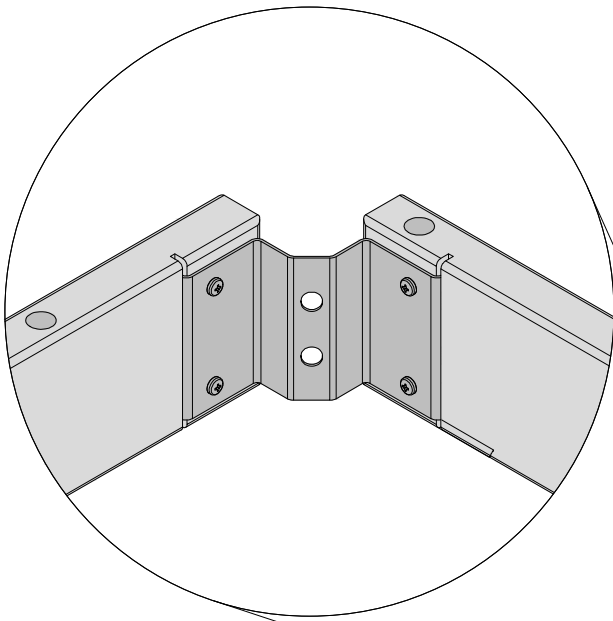


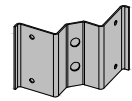
Pos	SPECIFICATION-STÜCKLISTE-NOMENCLATURE-ELEMENTI-ESPECIFICACIÓN	Pcs	Profile (mm)	Length (mm)
1.1		1	56x990	990
1.2		4	70x70	1038
1.3		4	28x95	830
1.4		4	34x70	830
2.1		4	56x368	368
2.2		16	70x70	708
2.3		16	28x95	208
2.4		16	34x70	208
Fim	-Fixing kit- Befestigungsset- Moyens de fixation- Materiale di fissaggio- Kit de fijación		1	
QNU80 115SN	L-iron- Winkel- Angle -Angolo- Angulo 80x115SN		20	
QJP8 x80Zn	Bolt -Schloss-schraube -Boulon- Bullone- Perno- QJP8x80Zn		40	
QMU8	Nut- Schraubenmutter- Écrou- Dado- Tuerca- M8mm		40	
QKR4_5 x20ZNY	Screw- Schraube- Vis- Vite- Tornillo- 4.5x20mm ZnY		80	
QKR4_5 x70Zn	Screw- Schraube- Vis- Vite- Tornillo- 4.5x70mm		48	
QTY 10x60	Dowel- Dübel- Cheville- Tassello- Espiga- QTY10x60		40	
QKMU 6x12x18			40	
QPOPP 10x46			40	
QEKS 16x20			40	
QKRKO 10x12 SW4			40	

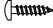


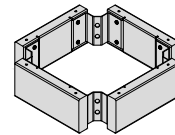
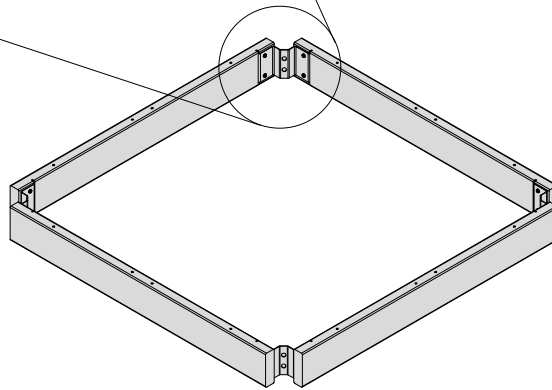
Object name

1.3 - 4 pcs
2.3 - 16 pcs



 20 pcs

4,5x20 - 80 pcs




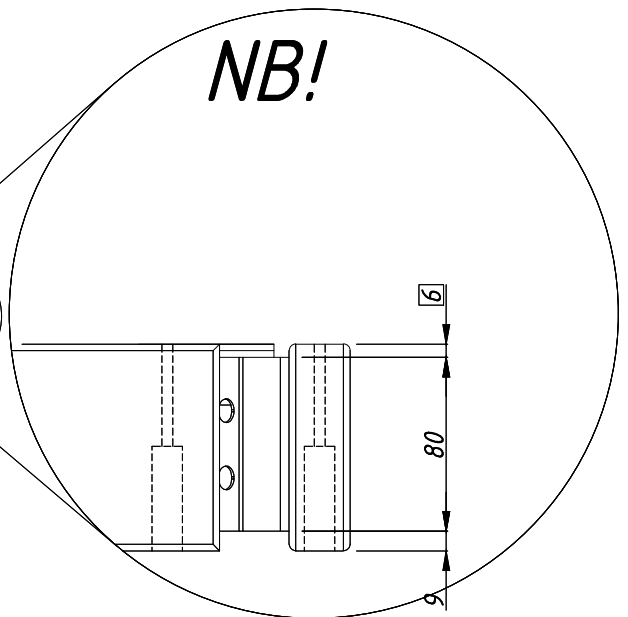
4x



1x



4x

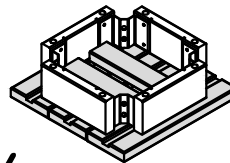
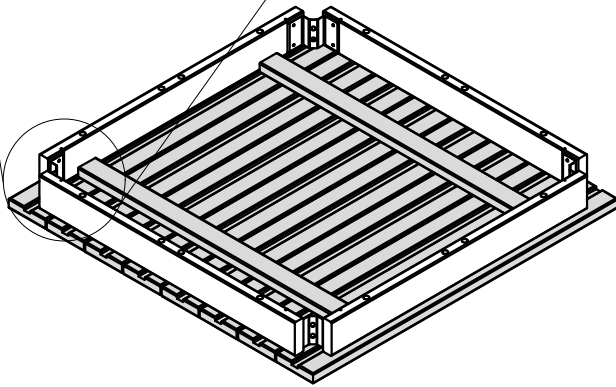
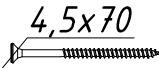
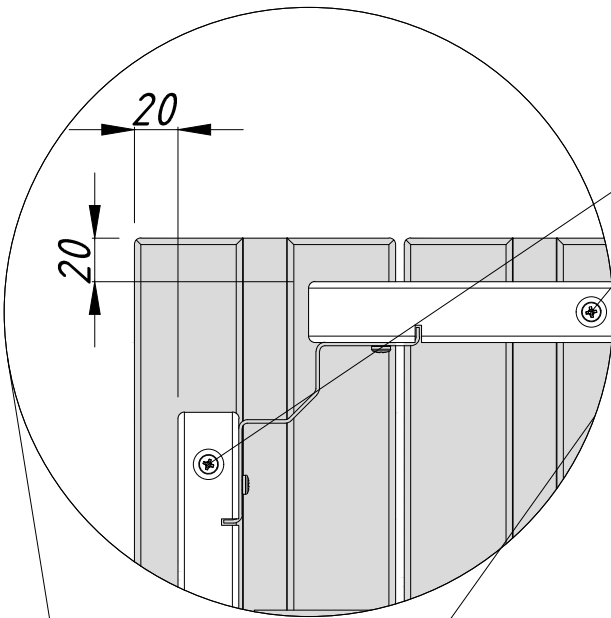


NB!

16
80
5

1.1 - 1 pcs
2.1 - 4 pcs

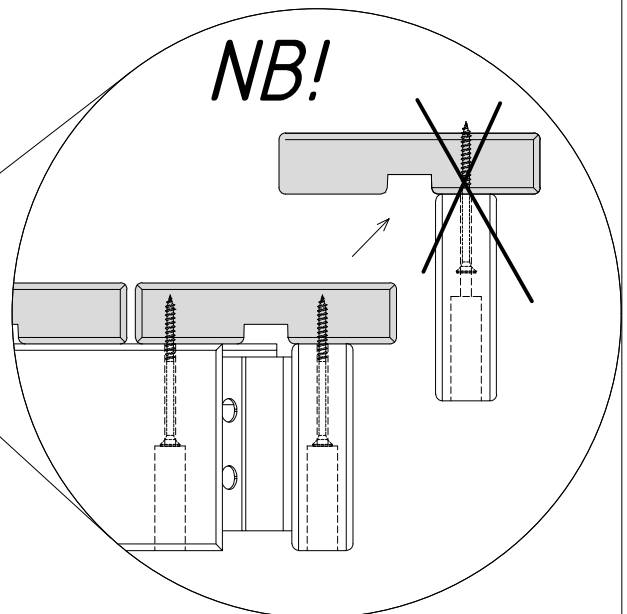
4,5x70 - 48 pcs

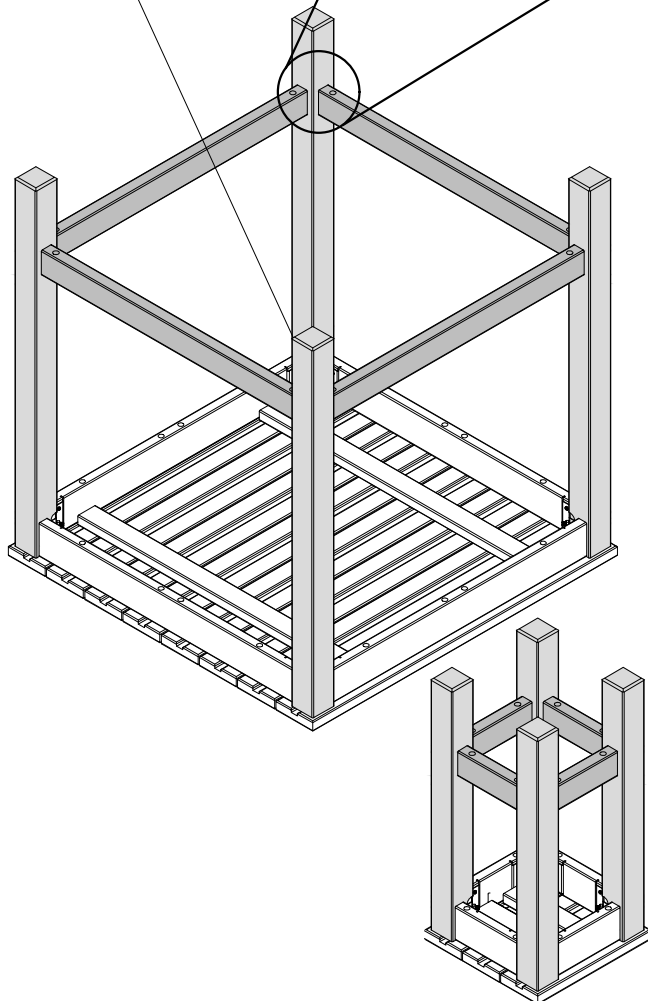
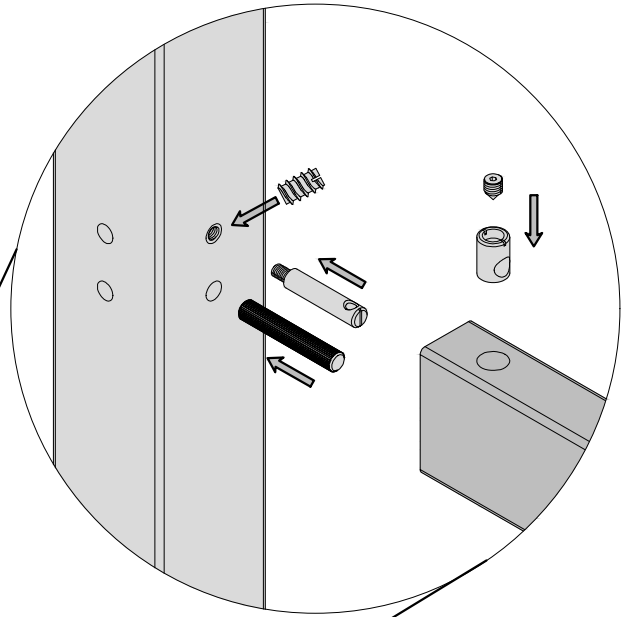
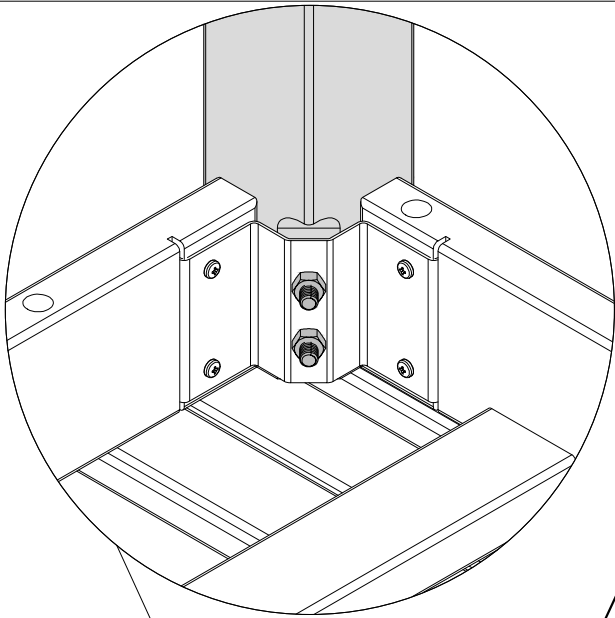


4x



4x





4x

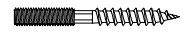
1.2 - 4 pcs

1.4 - 16 pcs

2.2 - 16 pcs

2.4 - 16 pcs

QJP8x80Zn - 40 pcs



QMU8 - 40 pcs



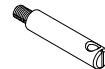
QKMU6x12x18 - 40 pcs



QEKS15x20 - 40 pcs



QPOPP10x46 - 40 pcs



QKRK010x12 SW4 - 40 pcs



QTY10x60 - 40 pcs

