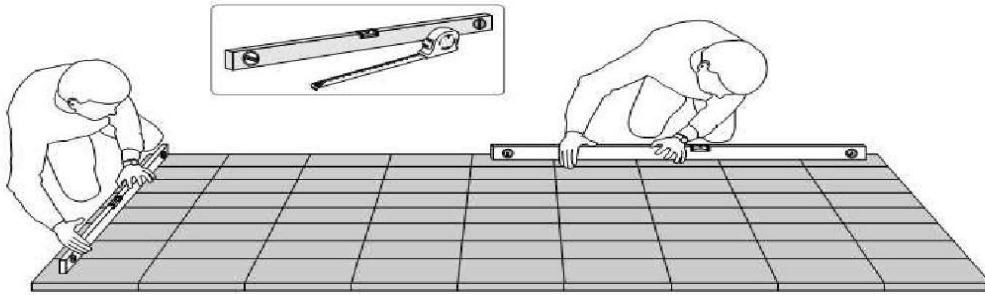


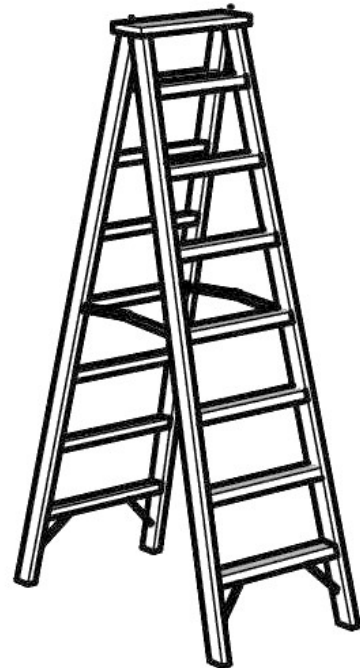
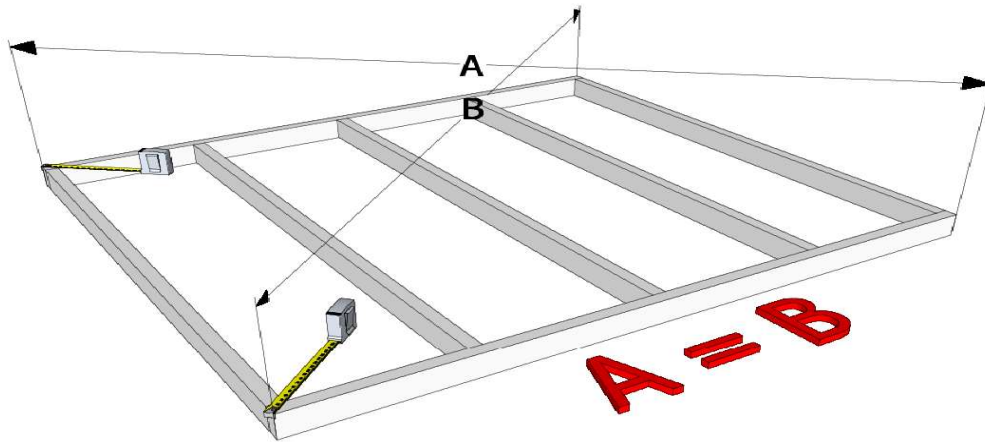
# Sandra arbor

## Montageanleitung \* Assembly instruction

**Important !**  
**Wichtig !**



**Important !**  
**Wichtig !**

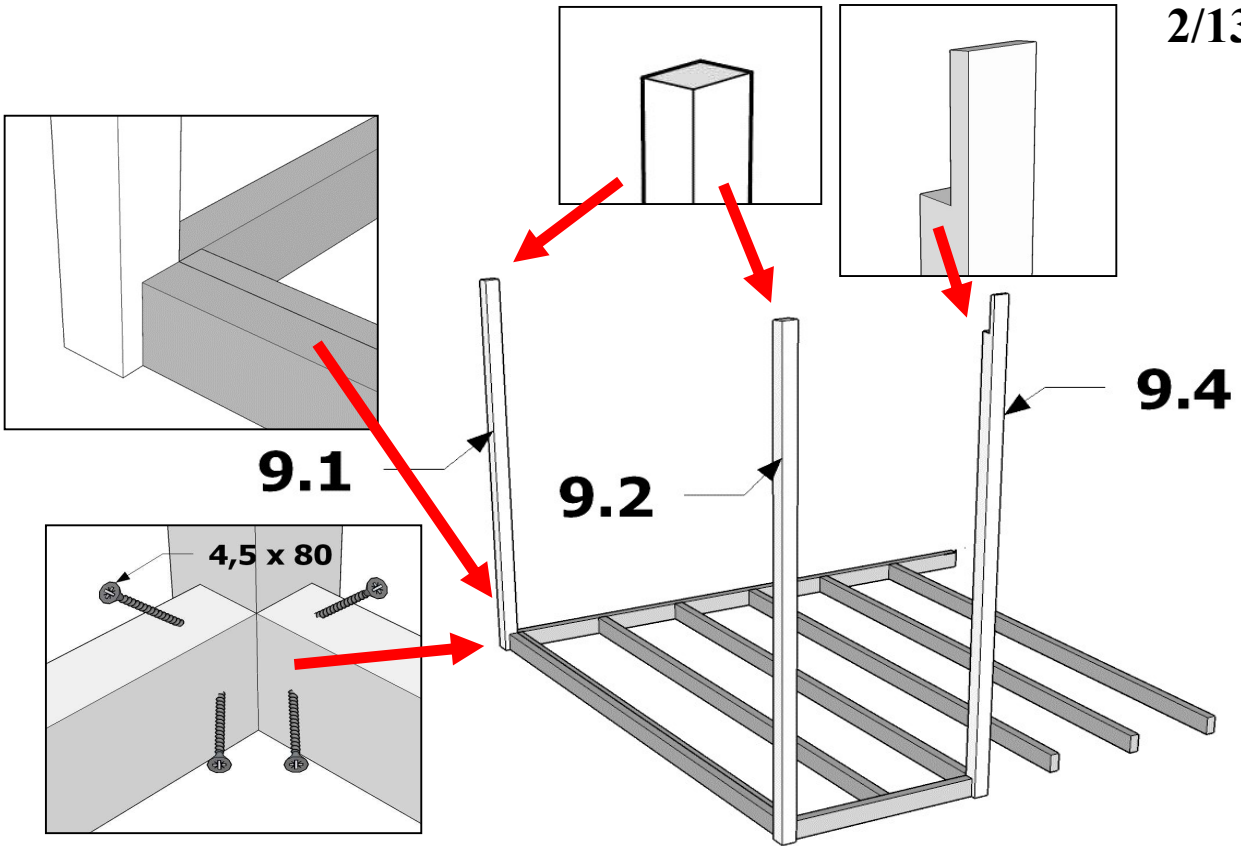




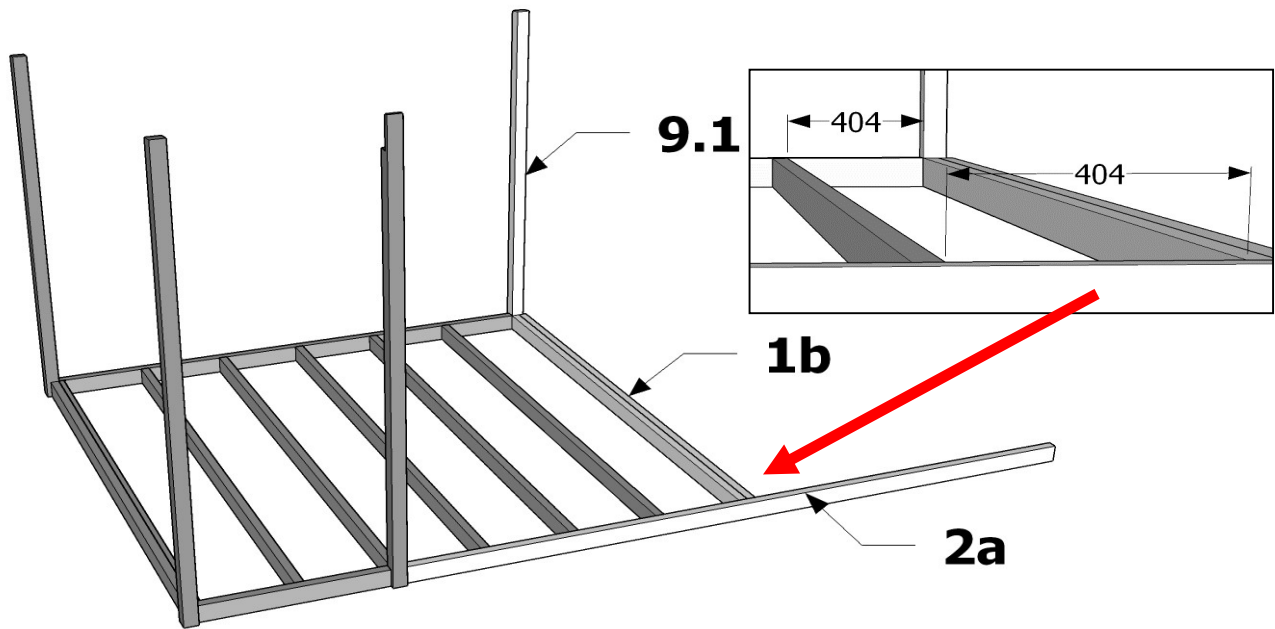
# Sandra arbor

## Montageanleitung \* Assembly instruction

2/13



<b>9.1</b>	+	<b>9.2</b>	+	<b>9.4</b>	12	4,5 x 80
------------	---	------------	---	------------	----	----------

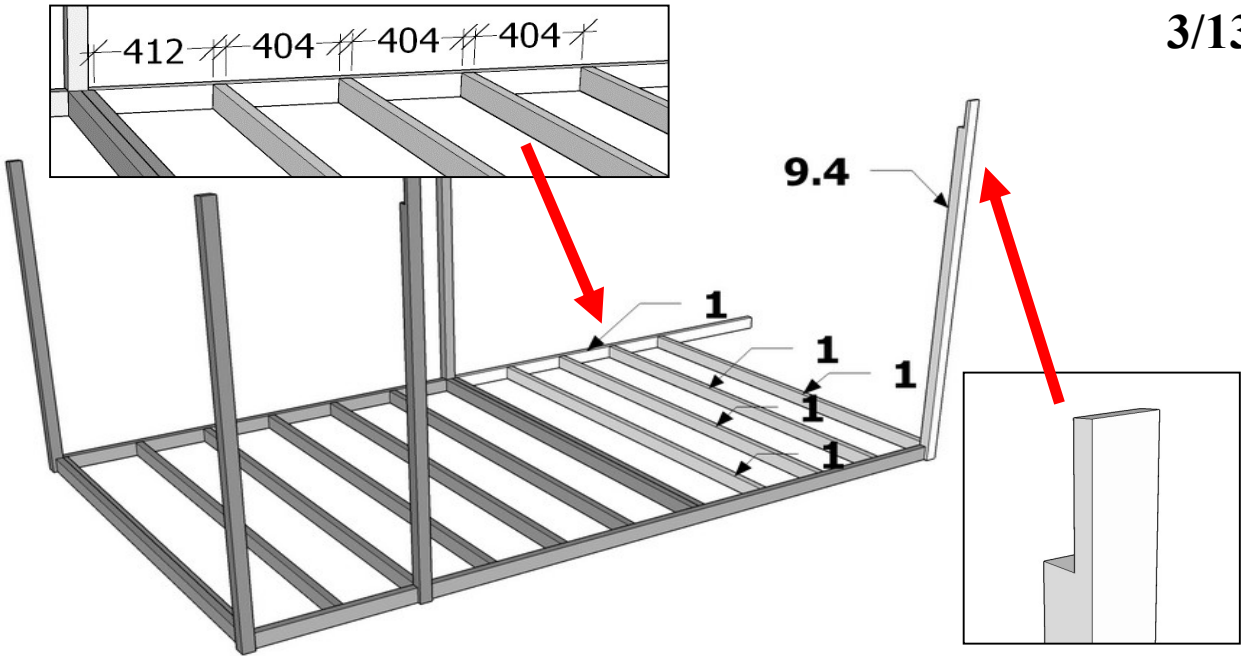


<b>2a</b>	+	<b>1</b>	...	<b>1</b>	+	<b>1b</b>	12	4,5 x 80
					+	<b>9.1</b>	4	4,5 x 80

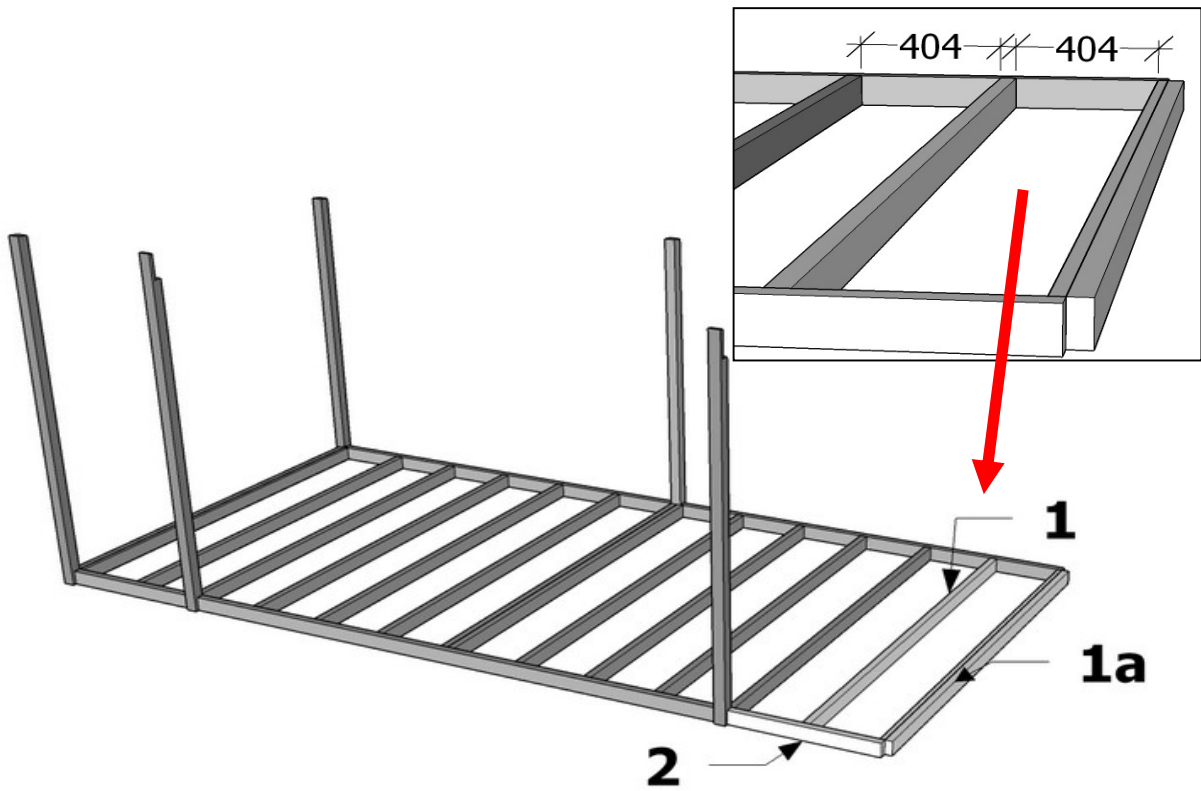
# Sandra arbor

## Montageanleitung \* Assembly instruction

3/13



+	<b>1</b>	...	<b>1</b>	+	<b>1</b>	16	4,5 x 80
				+	<b>9.4</b>	4	4,5 x 80

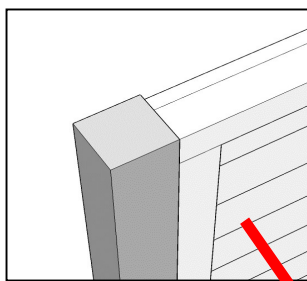
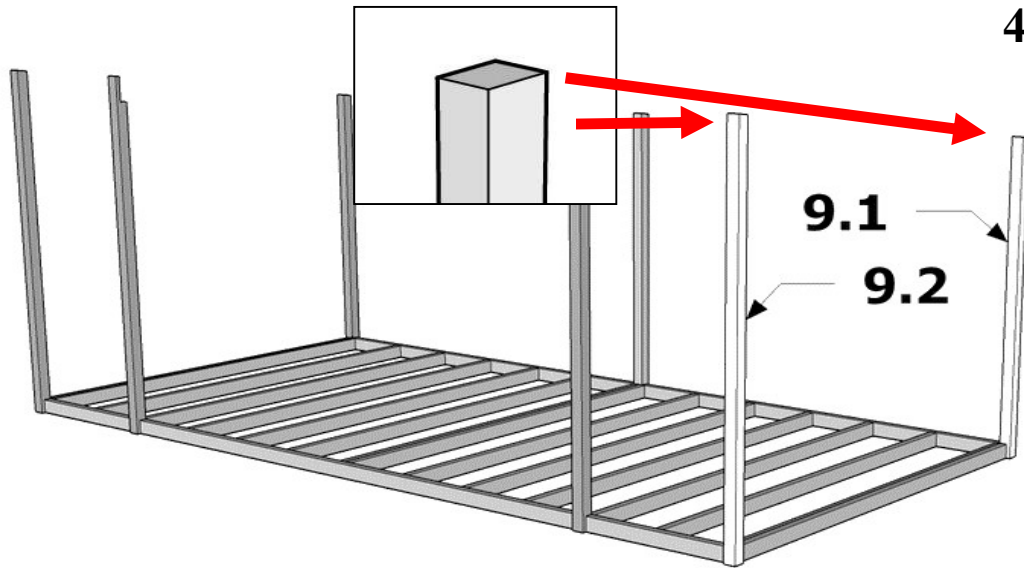


+	<b>2</b>	...	<b>1</b>	+	<b>1a</b>	10	4,5 x 80
---	----------	-----	----------	---	-----------	----	----------

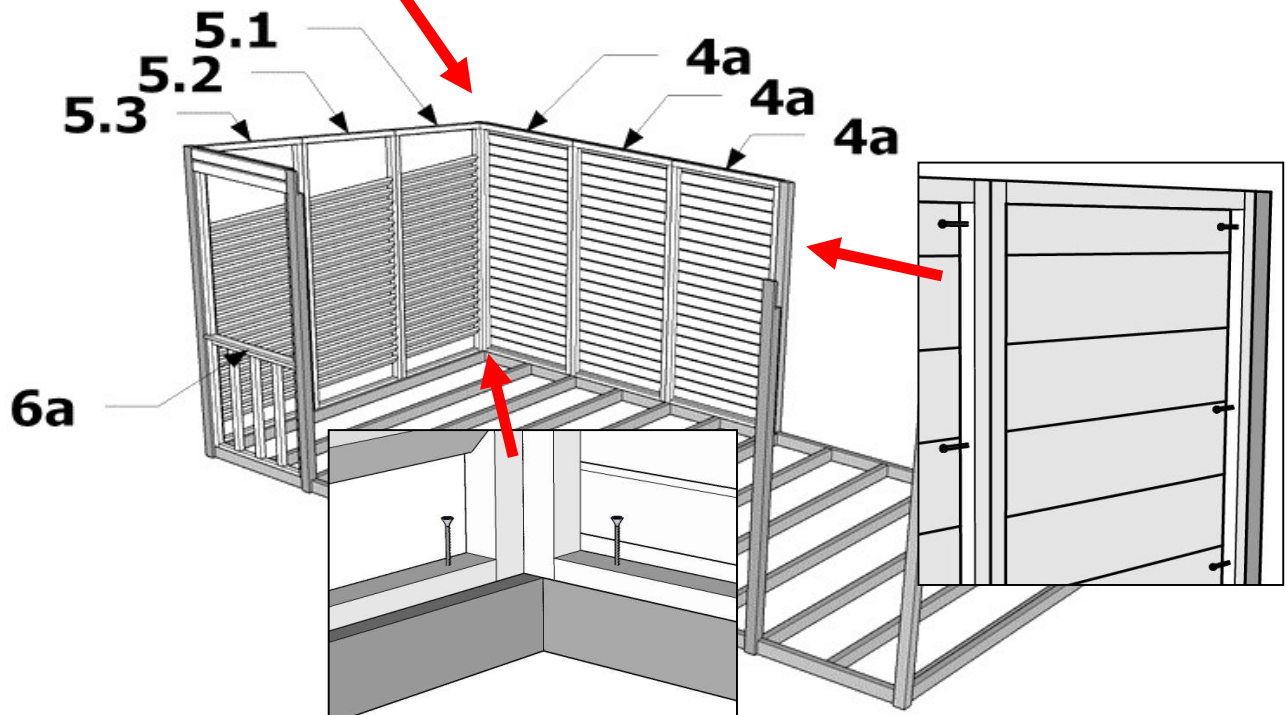
# Sandra arbor

Montageanleitung \* Assembly instruction

4/13



<b>9.1</b>	+	<b>9.2</b>	8	4,5 x 80
------------	---	------------	---	----------



<b>4a</b>	+	<b>4a</b>	+	<b>4a</b>	+	<b>5.1</b>	36	4,5 x 80
-----------	---	-----------	---	-----------	---	------------	----	----------

	+	<b>5.2</b>	+	<b>5.3</b>	+	<b>6a</b>		
--	---	------------	---	------------	---	-----------	--	--

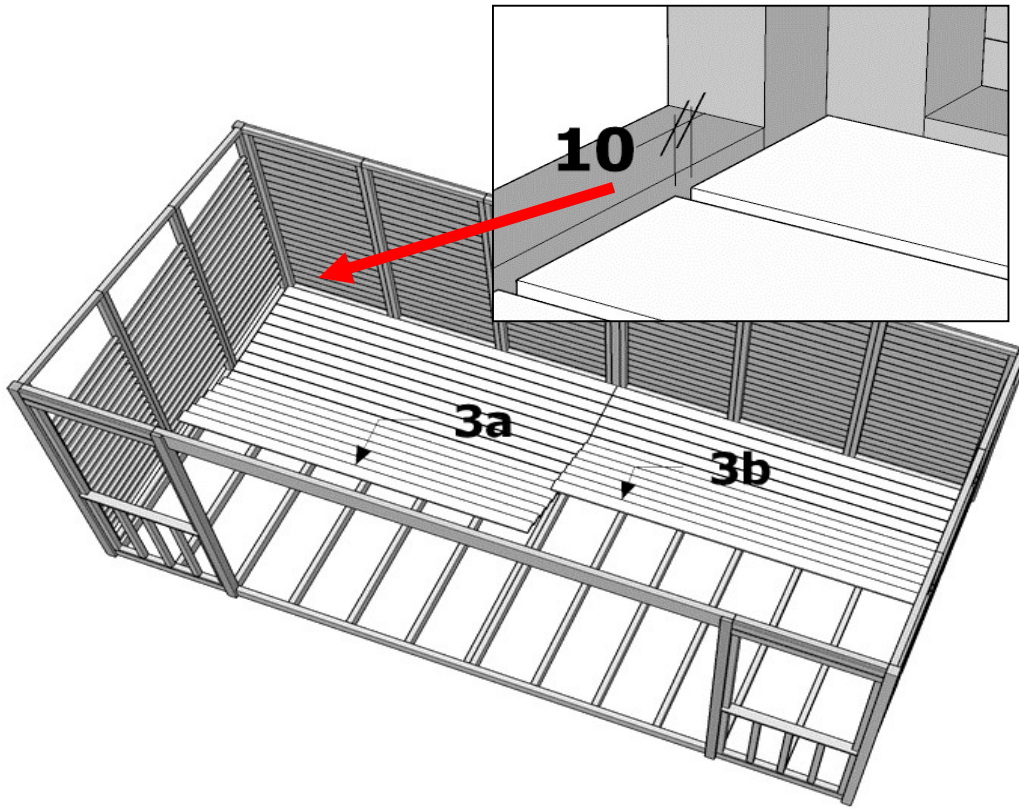
<b>4a</b>	<b>5.1</b>	<b>5.2</b>	<b>5.3</b>	<b>6a</b>	+	bottom	14	4,5 x 80
-----------	------------	------------	------------	-----------	---	--------	----	----------



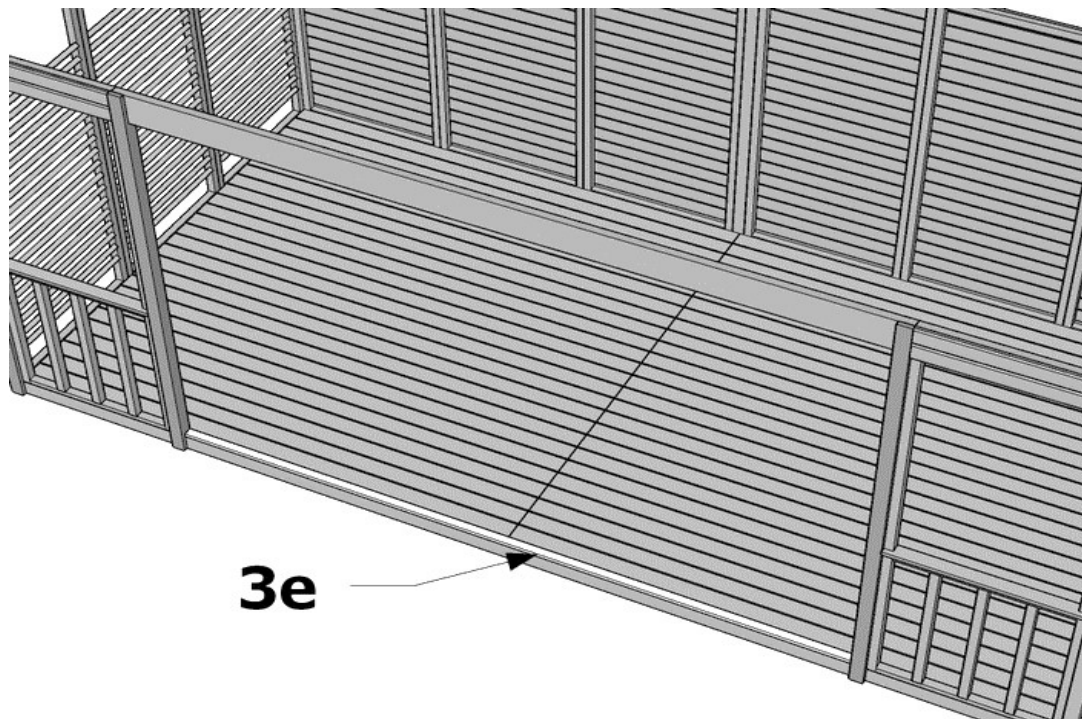
# Sandra arbor

Montageanleitung \* Assembly instruction

6/13



3a	+	3b	364	2,5 x 50
----	---	----	-----	----------

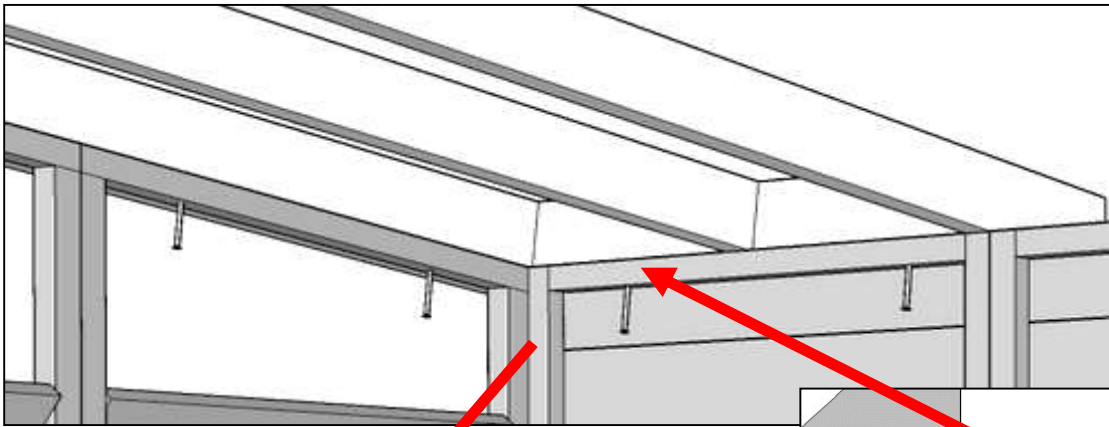


+	3e	8	3,5 x 40
---	----	---	----------

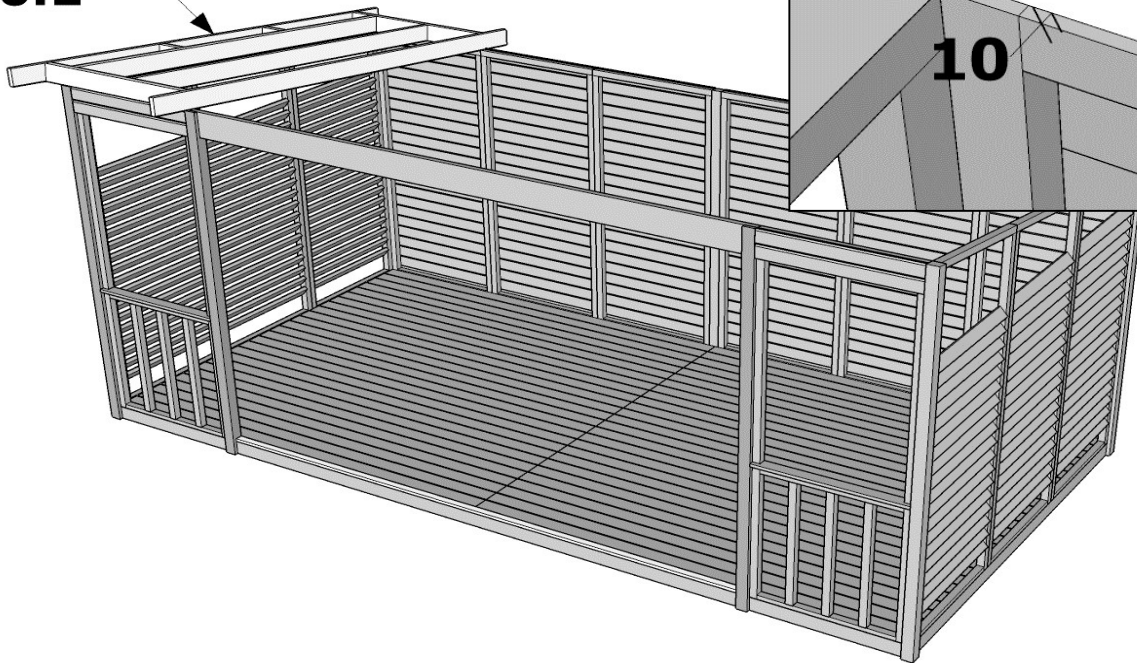
# Sandra arbor

Montageanleitung \* Assembly instruction

7/13



**10.1**

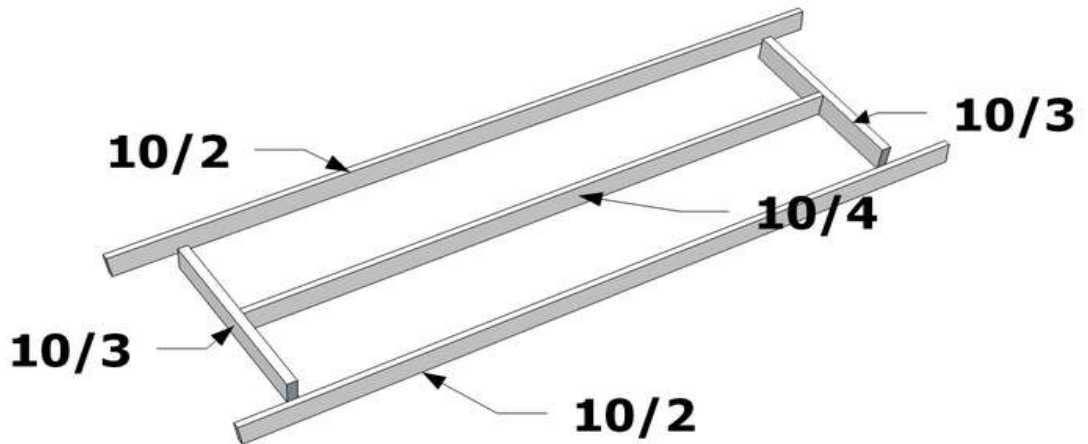


+

**10.1**

10

4,5 x 80



**10/3**

+

**10/4**

+

**10/2**

48

4,5 x 80

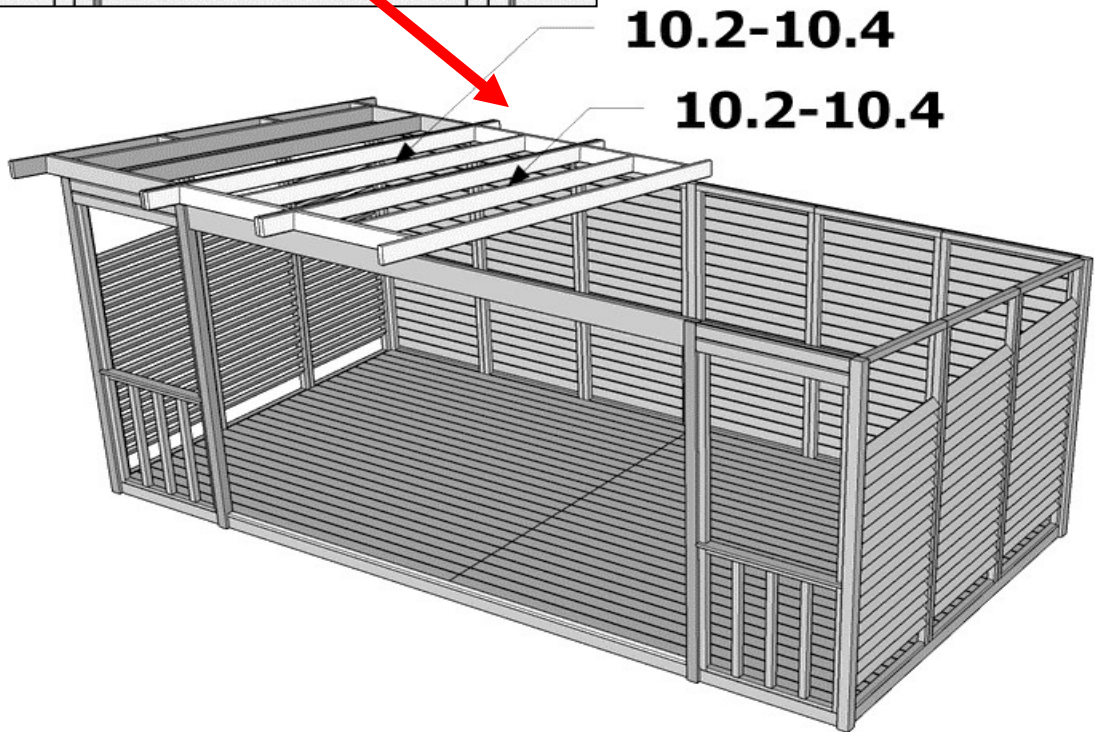
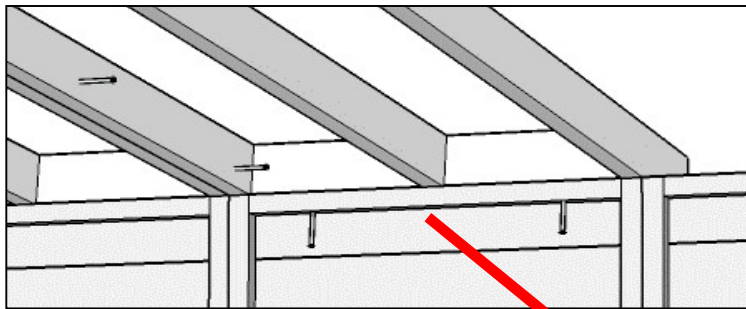
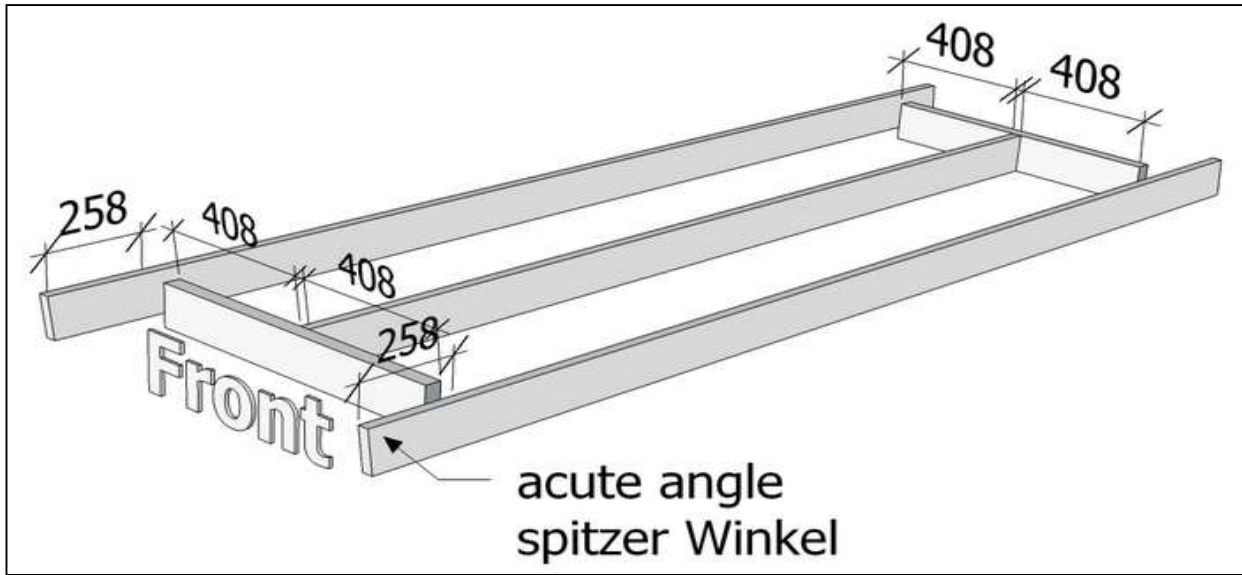


# Sandra arbor

Montageanleitung \* Assembly instruction

8/13

**4 pcs.**

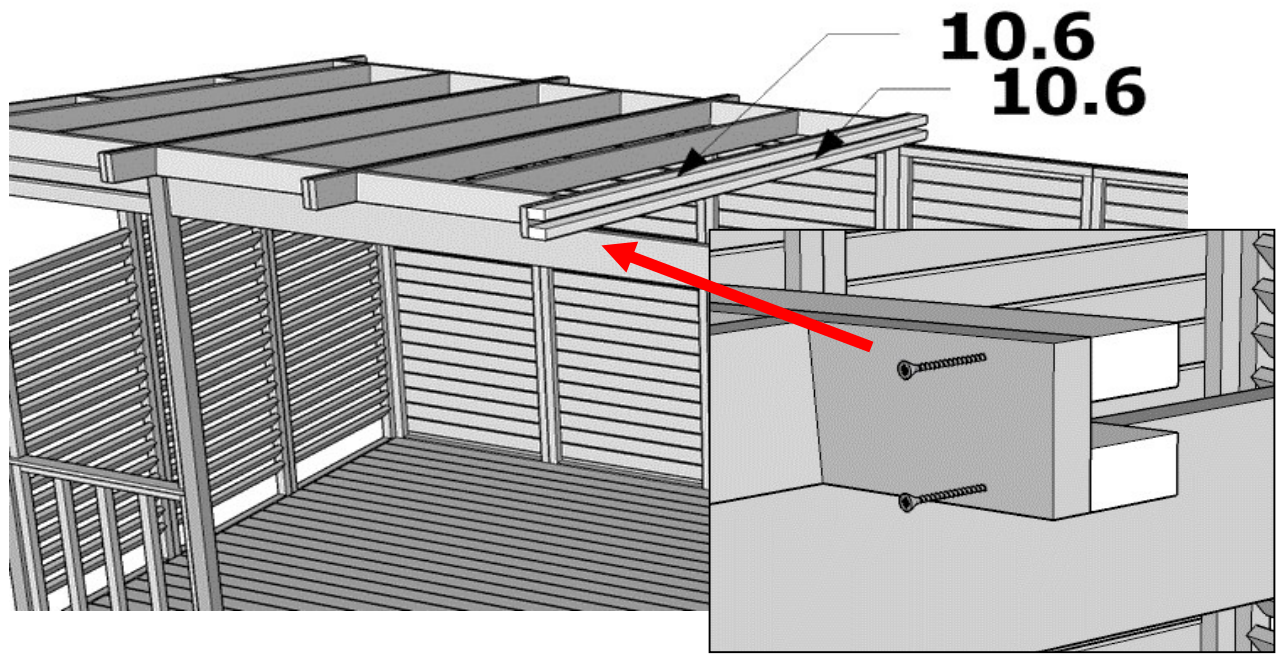


+	<b>10.2-10.4</b>	18	4,5 x 80
---	------------------	----	----------

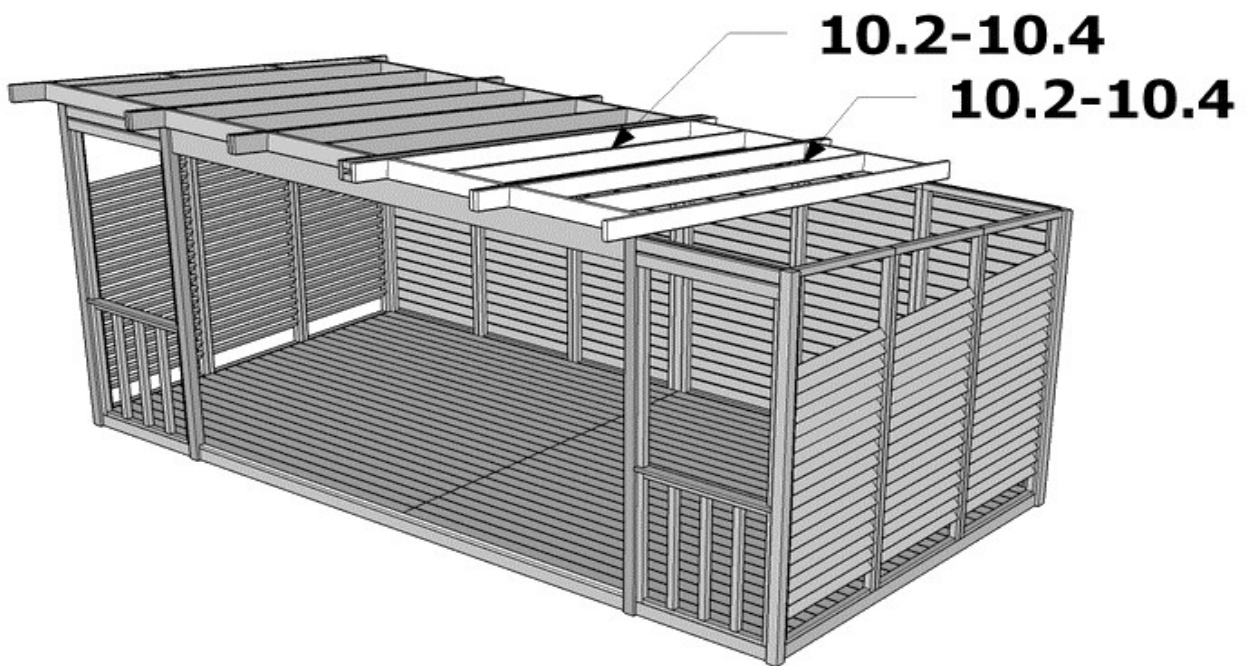
# Sandra arbor

Montageanleitung \* Assembly instruction

9/13



+ **10.6** | 10 | 4,5 x 80

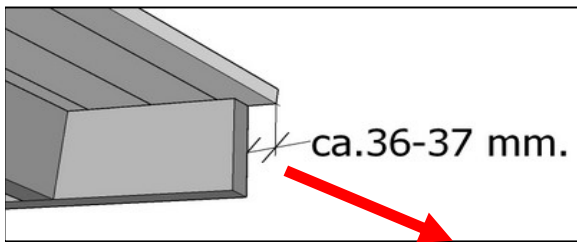
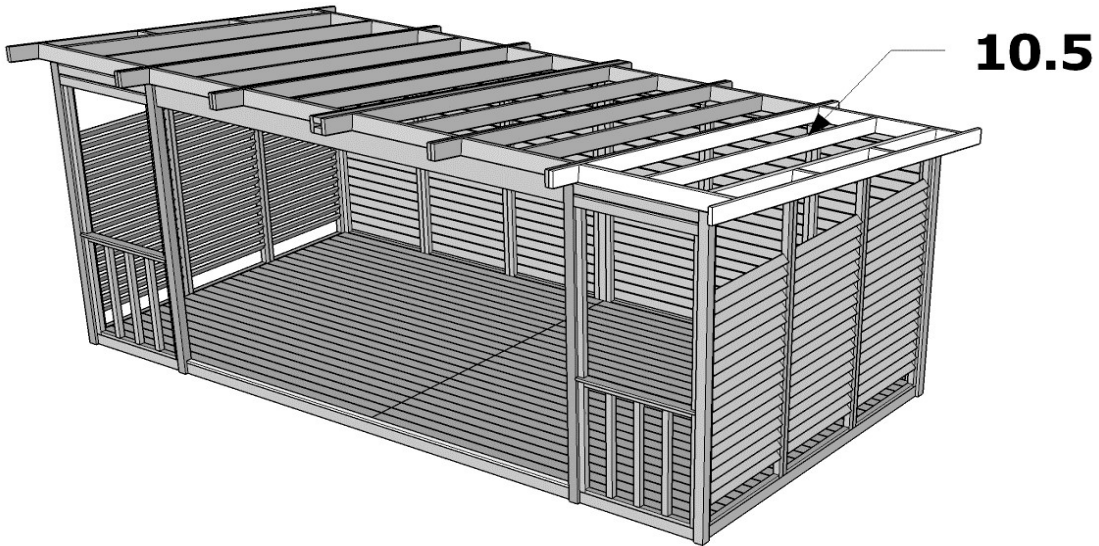


+ **10.2-10.4** | 20 | 4,5 x 80

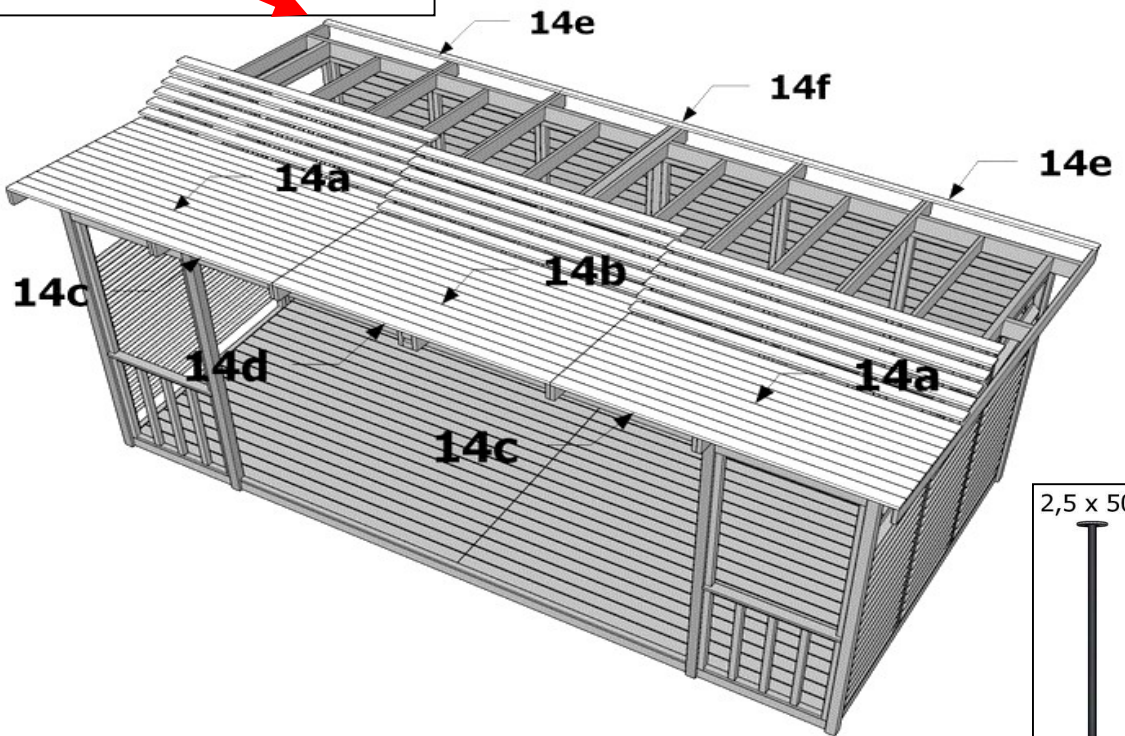
# Sandra arbor

## Montageanleitung \* Assembly instruction

10/13



+	<b>10.5</b>	10	4,5 x 80
---	-------------	----	----------



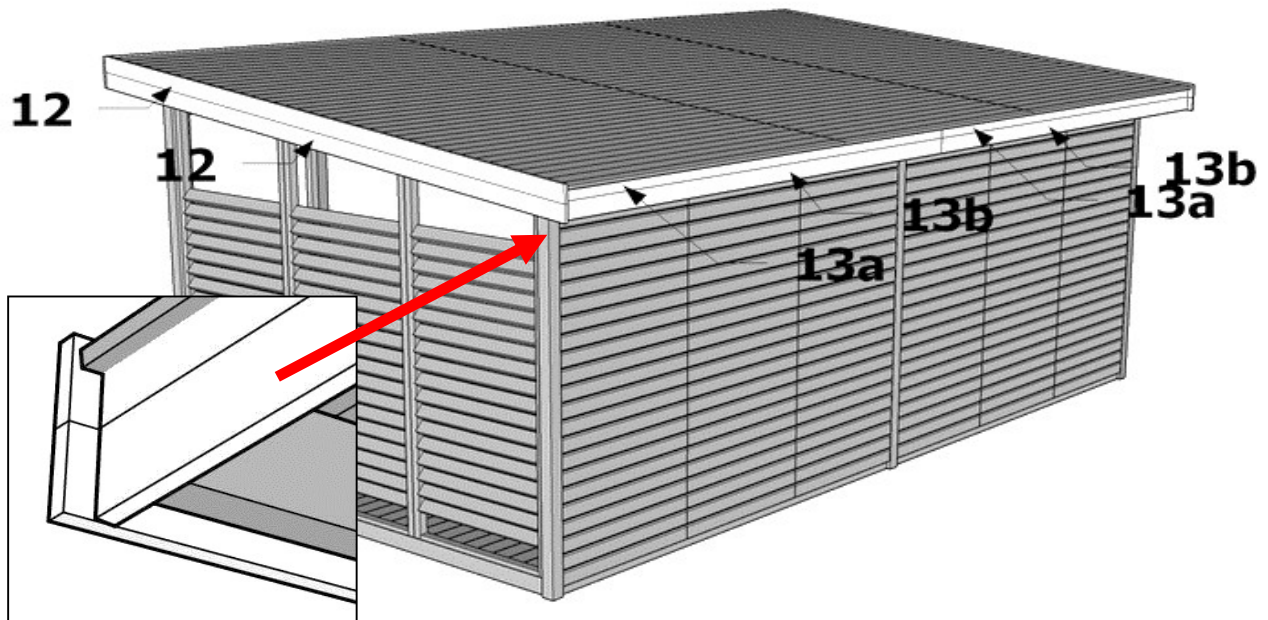
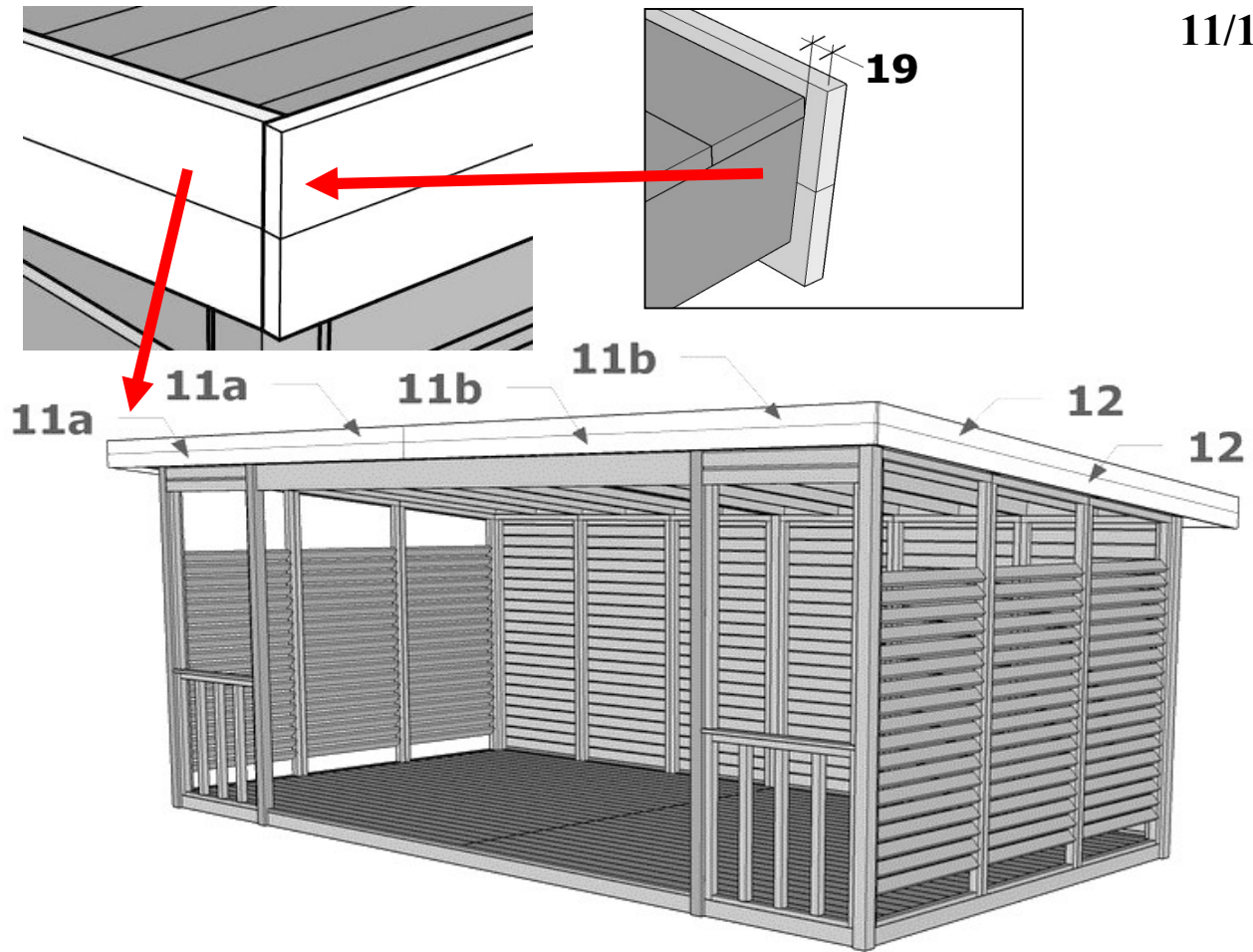
<b>14c</b>	+	<b>14d</b>	+	<b>14a</b>	+	<b>14b</b>	666	2,5 x 50
------------	---	------------	---	------------	---	------------	-----	----------

<b>14e</b>	+	<b>14f</b>	12	3,5 x 40
------------	---	------------	----	----------

# Sandra arbor

Montageanleitung \* Assembly instruction

11/13

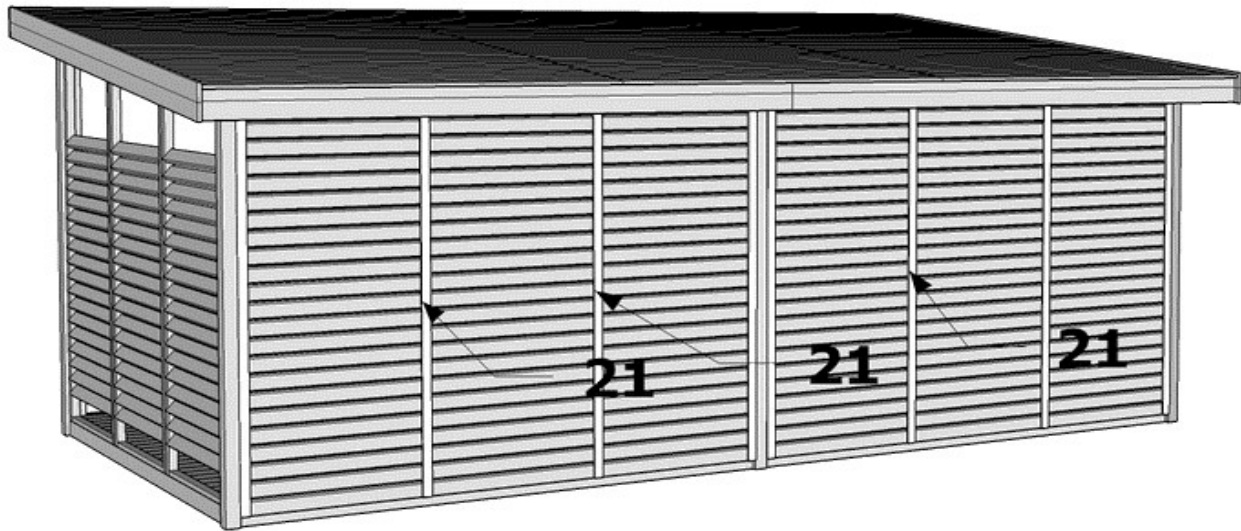


<b>11a</b>	+	<b>11b</b>	+	<b>12</b>	84	3,5 x 40
	+	<b>13a</b>	+	<b>13b</b>	36	3,5 x 40

# Sandra arbor

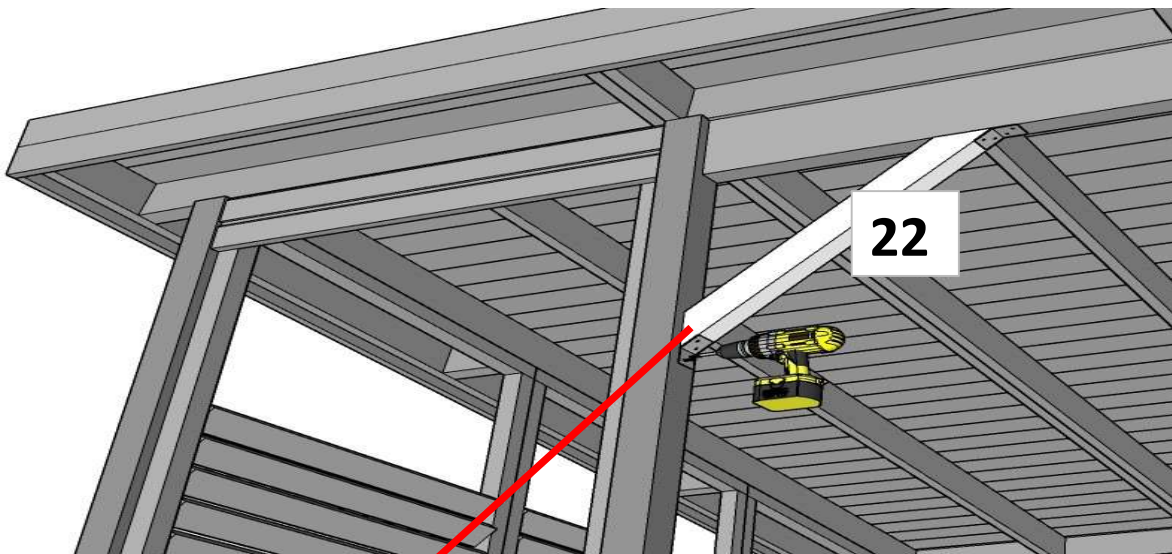
Montageanleitung \* Assembly instruction

12/13



+ 

21	32	3 x 30
----	----	--------

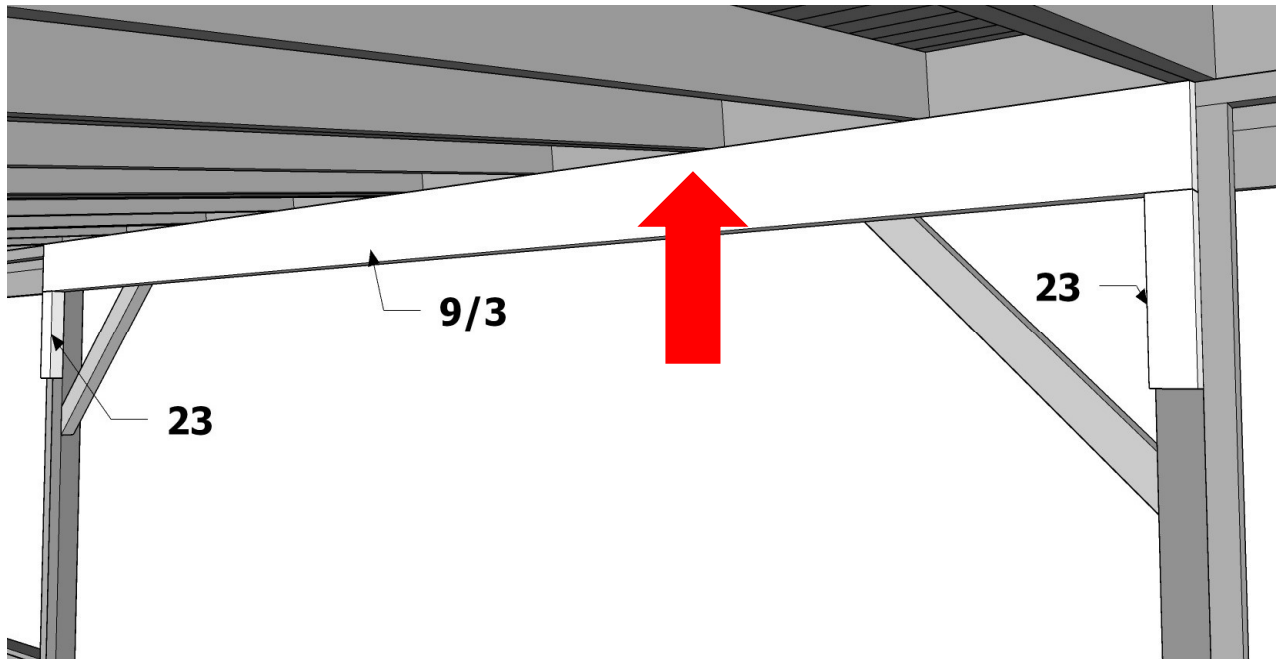


22	4	90 x 40/135°	32	3,5 x 40
----	---	--------------	----	----------

# Sandra arbor

## Montageanleitung \* Assembly instruction

13/13



9/3	+	9/3	4,5 x 80	20
9/4	+	23	4,5 x 80	12