

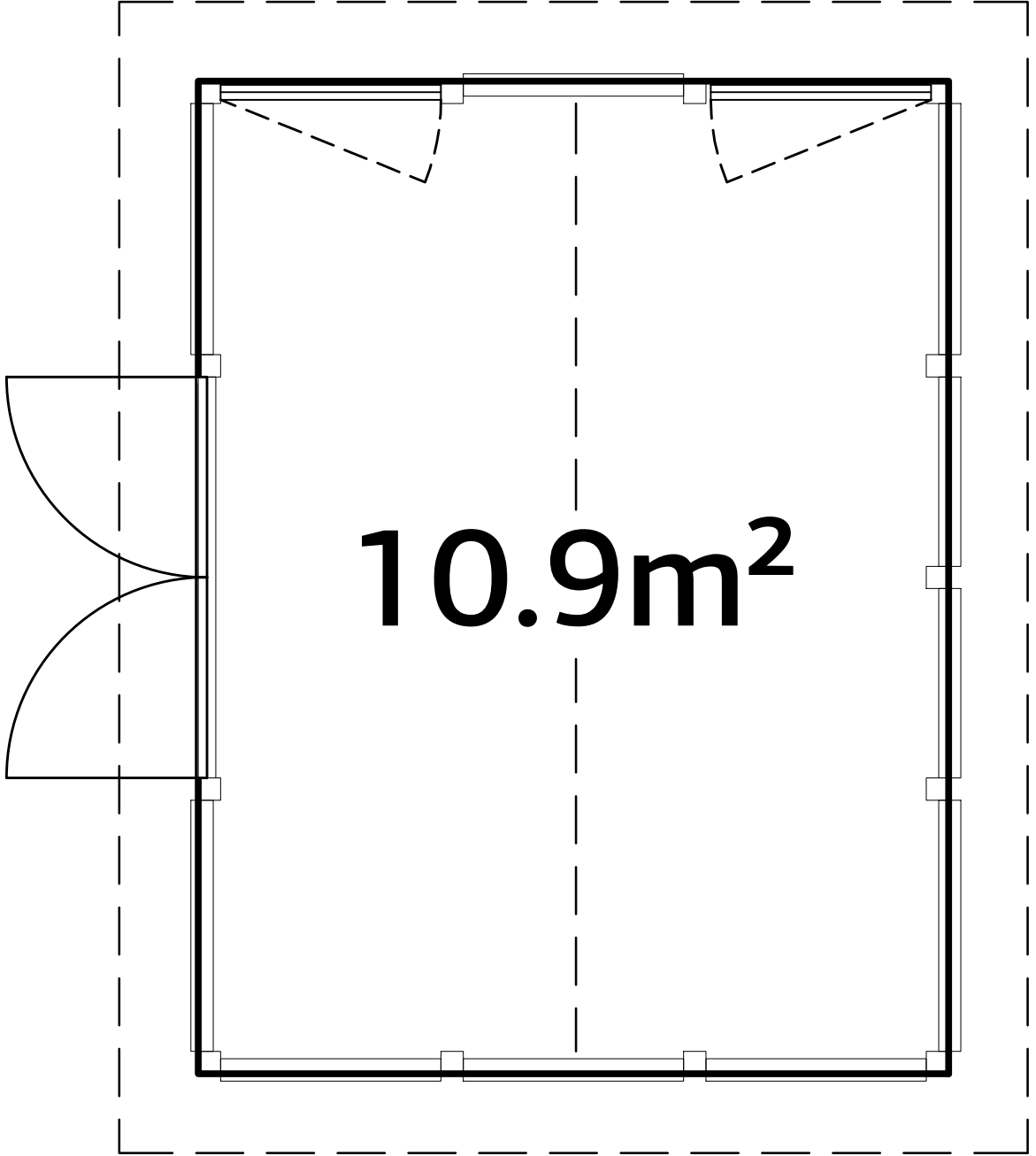
303

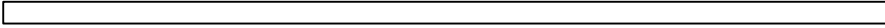

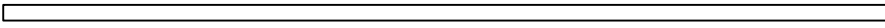


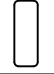

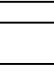





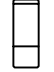



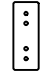

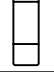
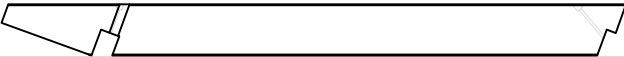
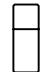
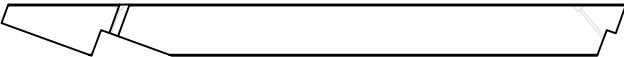
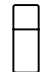

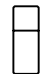

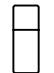

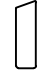



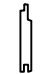

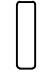

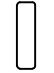
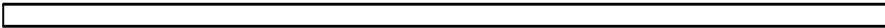
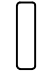

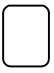

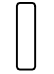
465

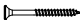
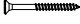
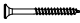
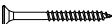
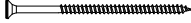
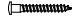

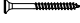
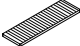





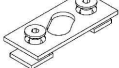
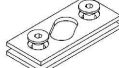

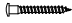
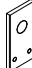
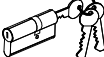



401


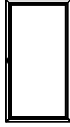


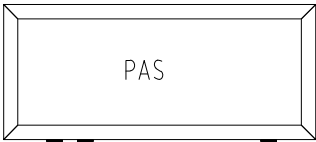

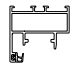

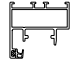

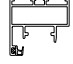




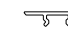

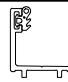

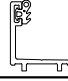

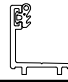
10.9m²

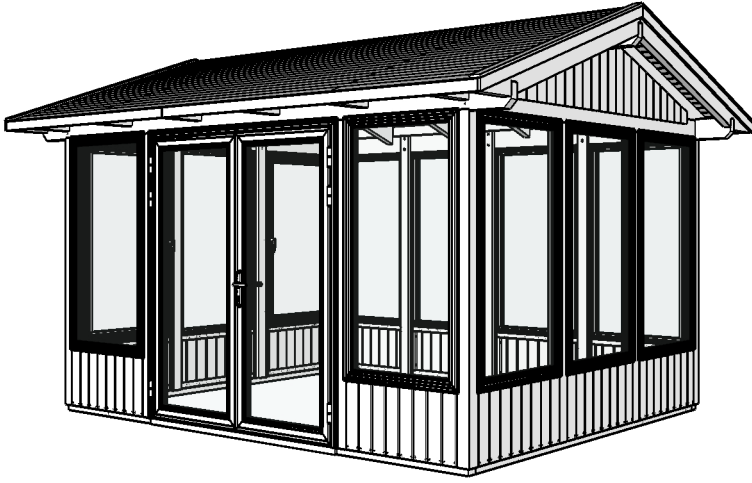
367



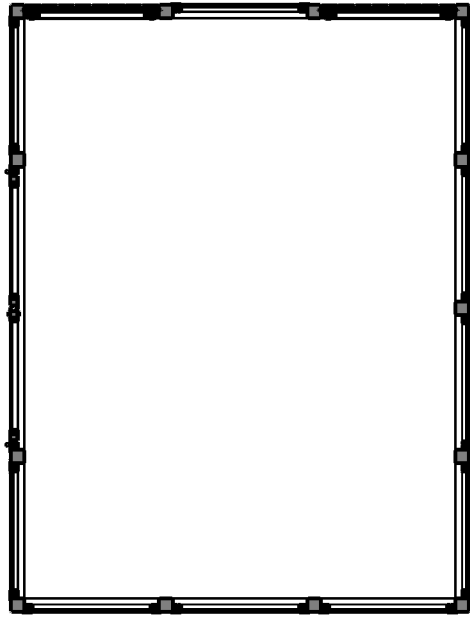
	SPECIFICATION-STÜCKLISTE-NOMENCLATURE-ELEMENTI-ESPECIFICACIÓN Isabella 10.9m2 PA90-3040	1/3	Pcs	Profile (mm)	Lenght (mm)
1	Foundation DIP treated 		2	45 × 70	2850
2	Foundation DIP treated 		2	45 × 70	3970
3	Foundation slat DIP treated 		1	16 × 45	1860
4	Post 		9	90 × 90	2257
5	Corner post 		4	90 × 90	2257
6	Beam 		2	60 × 160	2930
9	Side ridge 		2	60 × 160	4610
10	Wall boarding 		46	16 × 121	555
11	Ridge support 		2	60 × 160	445
12	Ridge 		1	60 × 160	4610
13	Rafter 		8	60 × 160	1952
14	Rafter 		2	60 × 160	1952
15	Rafter 		4	60 × 160	1952
16	Rafter 		2	60 × 160	1952
18	Support brace 		10	28 × 94	742
19	Roof board 		44	16 × 98	3490
20	Roof board 		44	16 × 98	1120
21	Covering board 		4	19 × 70	1959
22	Eave edging 		2	19 × 70	1910
23	Eave edging 		2	19 × 70	2700
24	Slat 		41	12 × 16	2105
25	Eave edging 		4	19 × 70	1977

SPECIFICATION-STÜCKLISTE-NOMENCLATURE-ELEMENTI-ESPECIFICACIÓN Isabella 14.7m2 PA90-4040		2/3	Pcs	Profile (mm)
QNA 2_2 x50Zn	Nail- Nagel- Clou- Chiodo- Clavo- 2.5x50mm		1000	to roof boards
QKRP P3 x35Zn	Screw- Schraube- Vis- Vite- Tornillo- 3x35mm		230	to slats
QKRP P4_5 x50Zn	Screw- Schraube- Vis- Vite- Tornillo- 4.5x50mm		100	to eave edging
QKRP P5 x90Zn	Screw- Schraube- Vis- Vite- Tornillo- 5x90mm		84	to EL1
QKRP P6 x80Zn	Screw- Schraube- Vis- Vite- Tornillo- 6x80mm		124	to post and beam
QKRP P6x1 50ZnTX	Screw- Schraube- Vis- Vite- Tornillo- 6x150mm TX		64	8 to foundation 8 to log planks 32 to rafters 8 to ridges 8 to beams
QKRY P5x6 0ZnTX	Screw- Schraube- Vis- Vite- Tornillo- 5x60mm		102	to doors and windows
QTY 8x60	Dowel- Dübel- Cheville- Tassello- Espiga- 8x60mm		4	
QKRPP3 _9x20Zn _AW	Screw- Schraube- Vis- Vite- Tornillo- 3.9x20mm		15	
QPL20x 100x2PET			150	
QPL20x 100x3PET			150	
	EL1		12	890x460x44
QLY-ACEL 011			2	
QLY-ALI 169			8	
QLY-ACZZ D08			7	
QLY-ACTL 424			1	
QLY-ACTL 425			1	
QPOKK5X 12MU			7	
QKRYP4 _8X25RV			4	
QLY-ACEL 035			2	
QLY-LWB 02	Cylinder- Zylinderschloss- Serrure a mortaiser- Serratura a cilindro- Bombin- LWB02		1	
QLY-ACW KS92	Door fittings- Türbeschlag- Ferrure- Ferramenta porta- Manilla (puerta)- ACWKS92 S		1	
QLY-AC MAS29	Window fittings- Fenstergriff- Poigne de la fenêtre- Maniglia finestra- Manilla- ACMAS29		2	
QLY-AC MAS33	Window fittings- Fenstergriff- Poigne de la fenêtre- Maniglia finestra- Manilla- ACMAS33		2	

A51-1V -7016	Window 924x1679		1	60x924	1679
A51-1P -7016	Window 924x1679		1	60x924	1679
A51-3 -7016	Window 924x1679		10	51x924	1679
A			2	51x907	2054
B			2	51x907	2054
EL215-1			1		2095
EL215-4			1		2095
EL215-2			1		1860
EL092			1		1786
MC155			1		870
MC155			1		865
MC156			1		870
MC156			1		865
VG12			1		1904
VG12			1		2117
VG12			1		2117



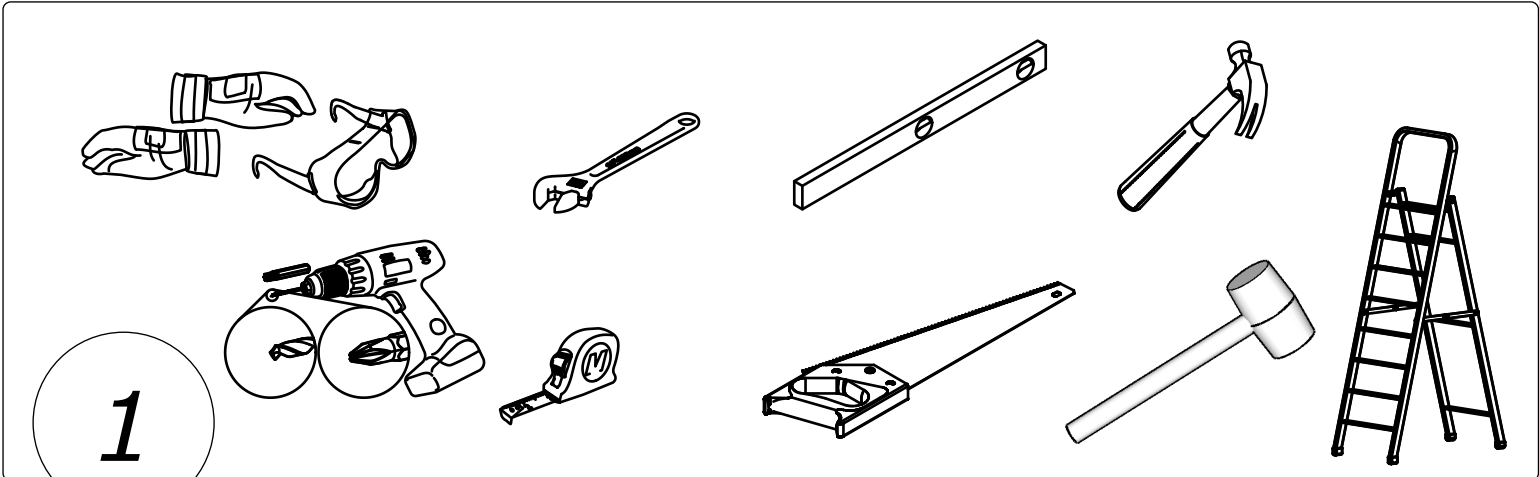
C



B


D

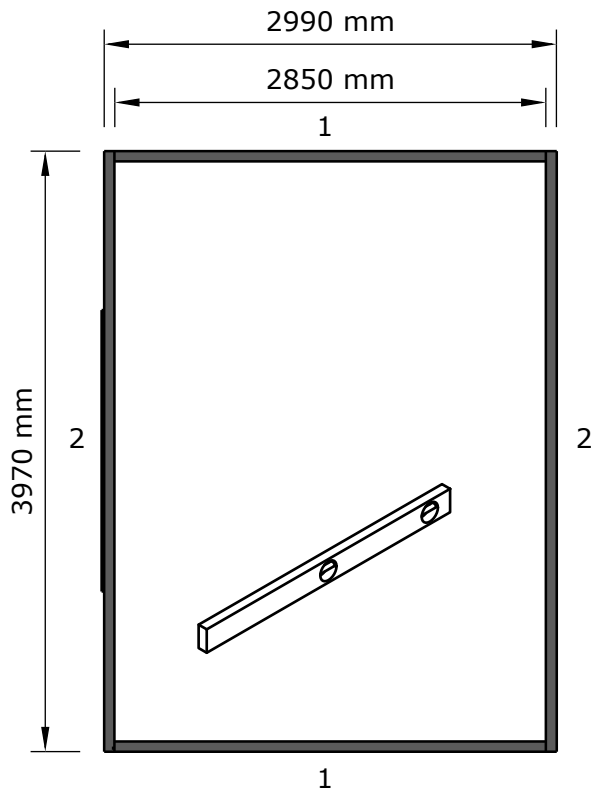
A



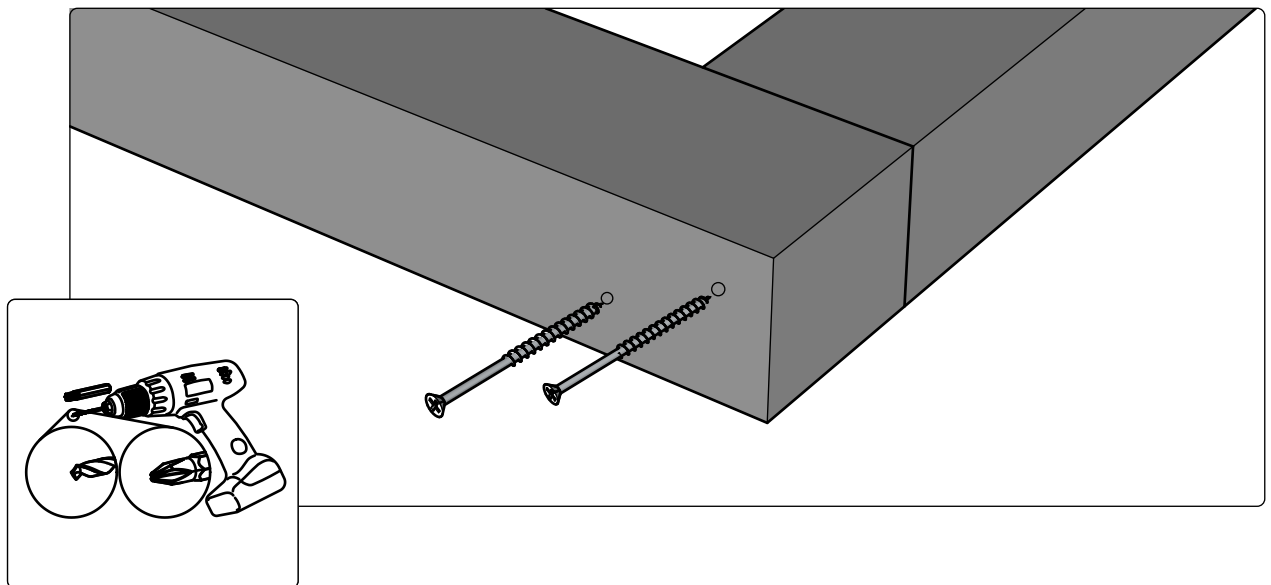
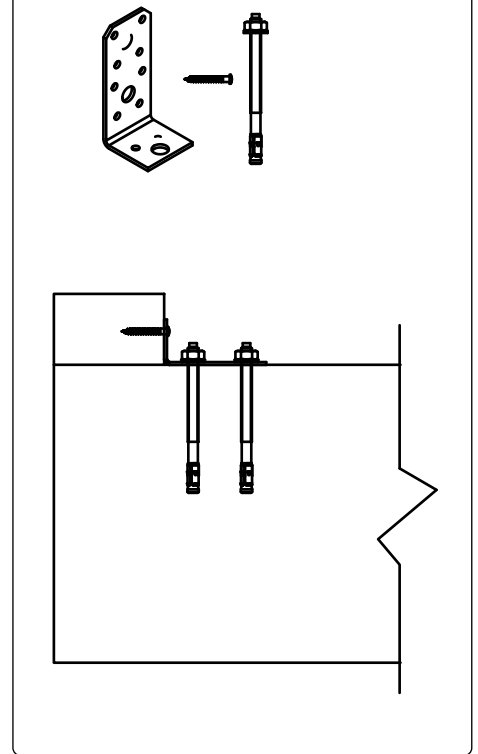
1

Plan:
Positions: 1, 2

 8 x (QKRPP6x150ZnTX)




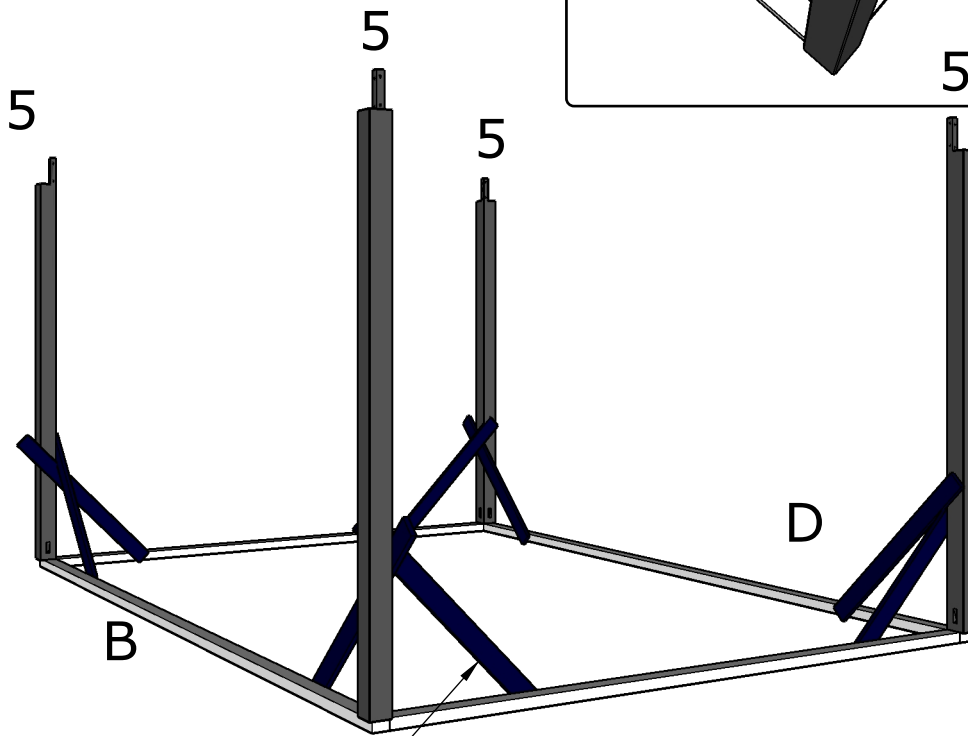
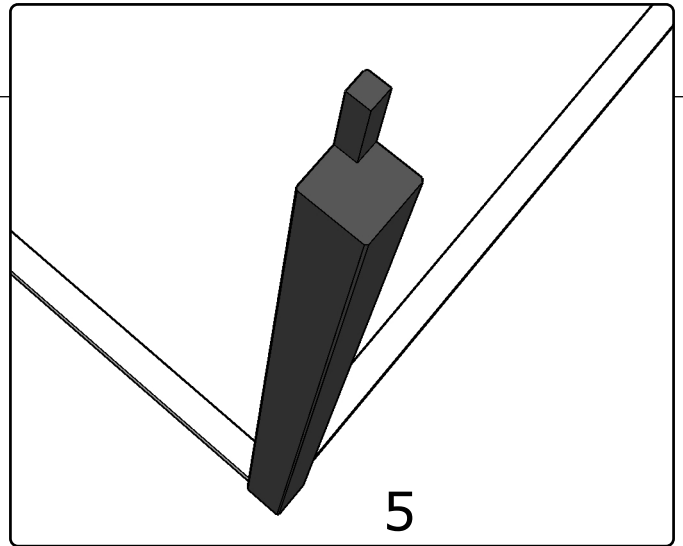
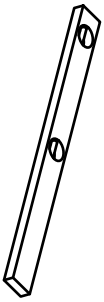
NOT INCLUDED



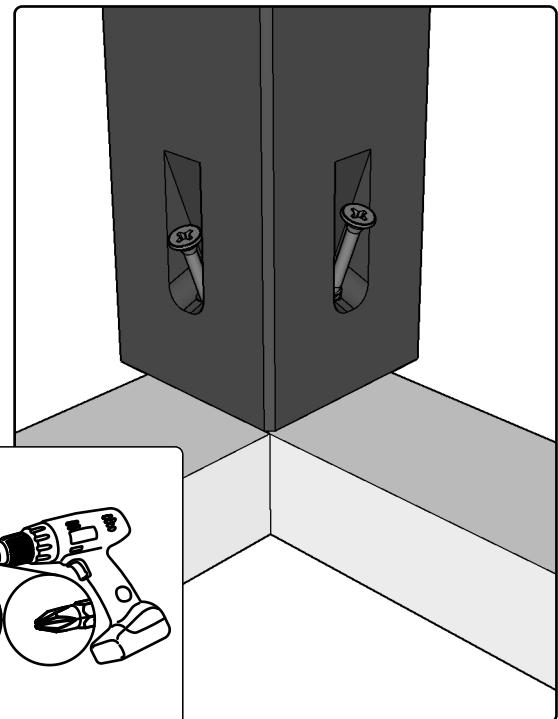
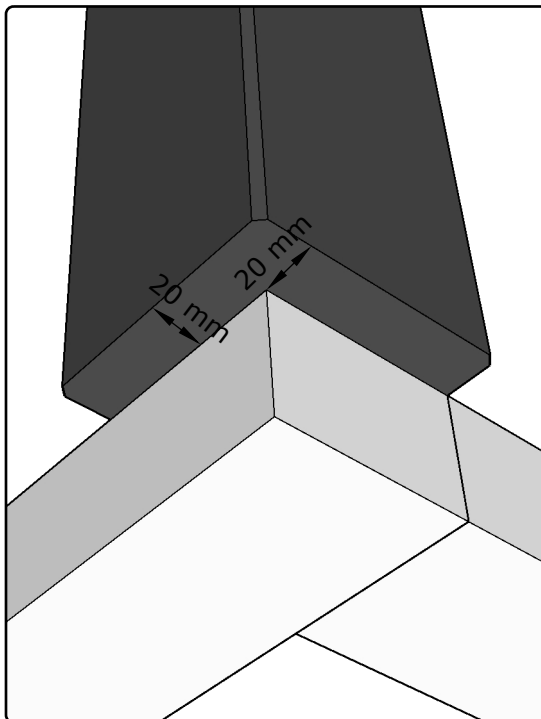
2

Plan: B, D
Positions: 5

 8 x (QKRPP6x80ZnTX)




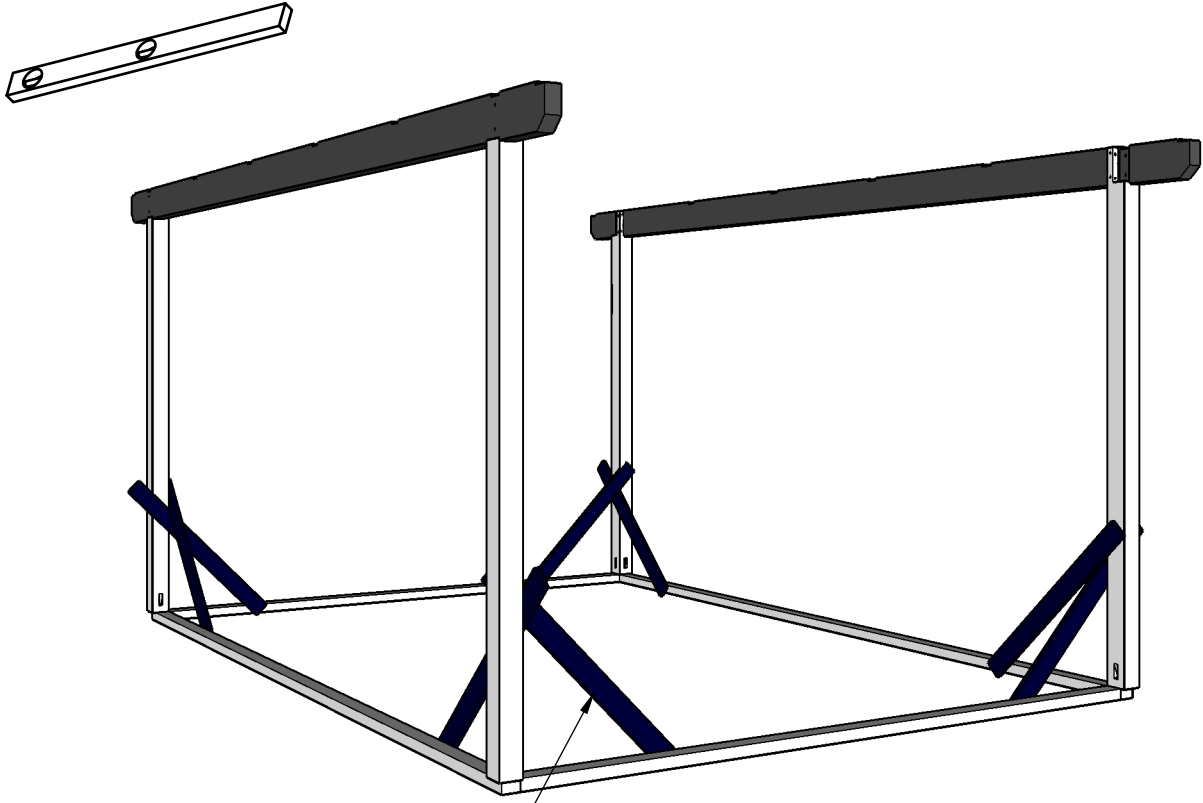
Temporary - not included



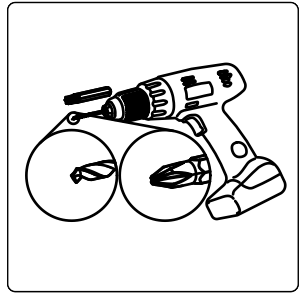
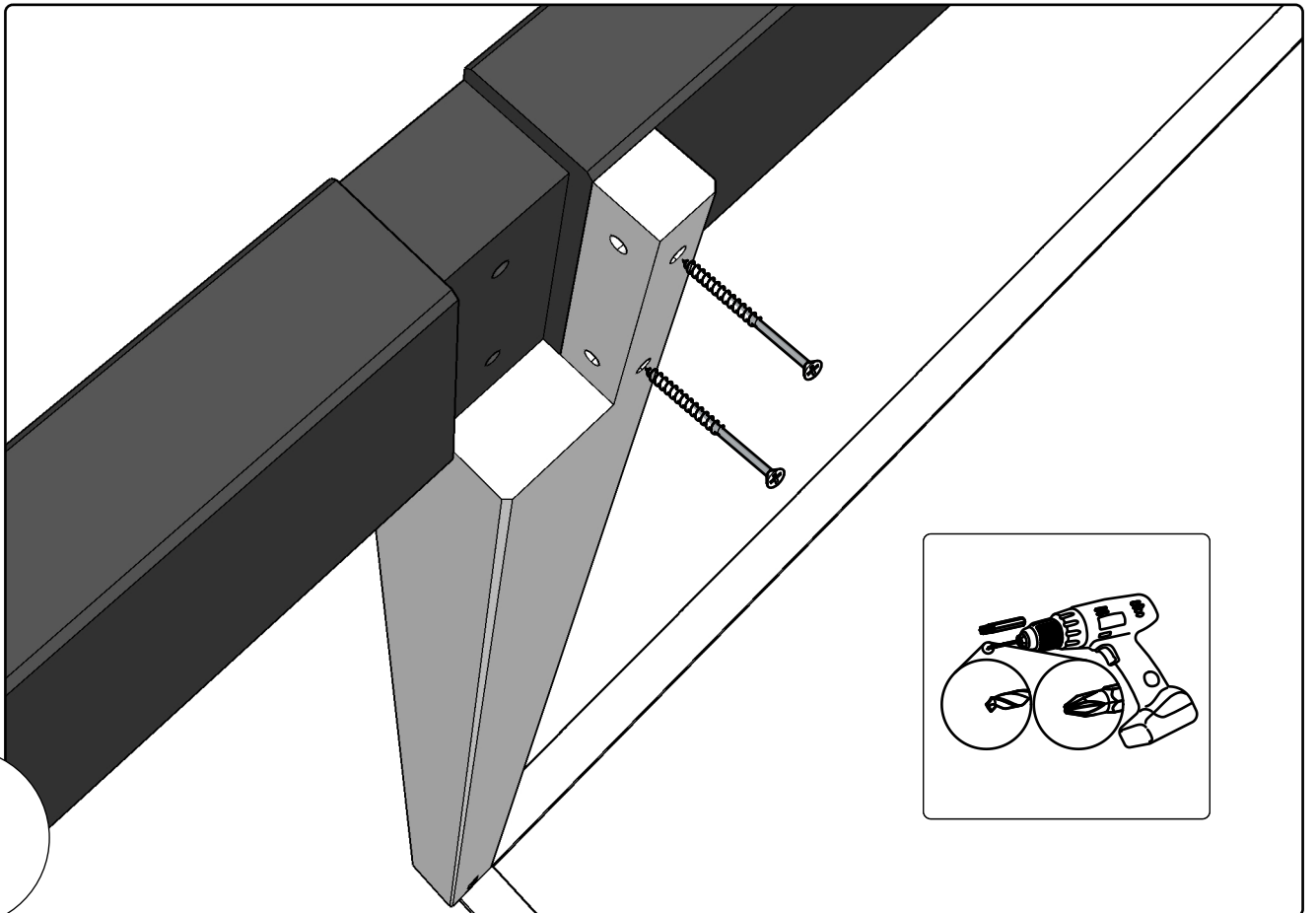
3

Plan:
Positions: 9

 8 x (QKRPP6x80ZnTX)



Temporary - not included •



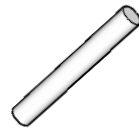
4

Plan:

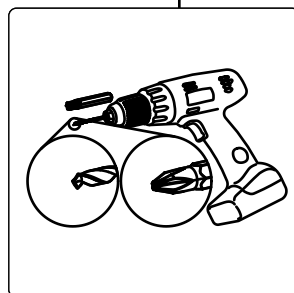
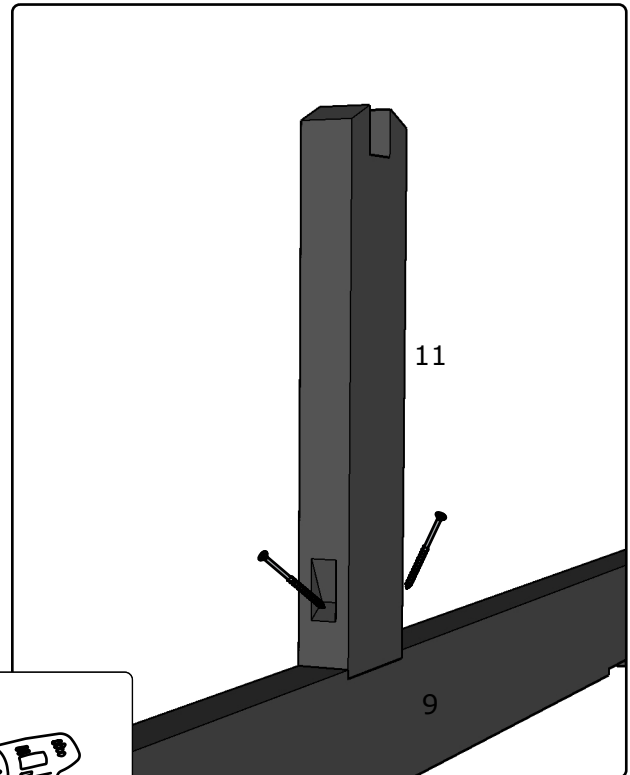
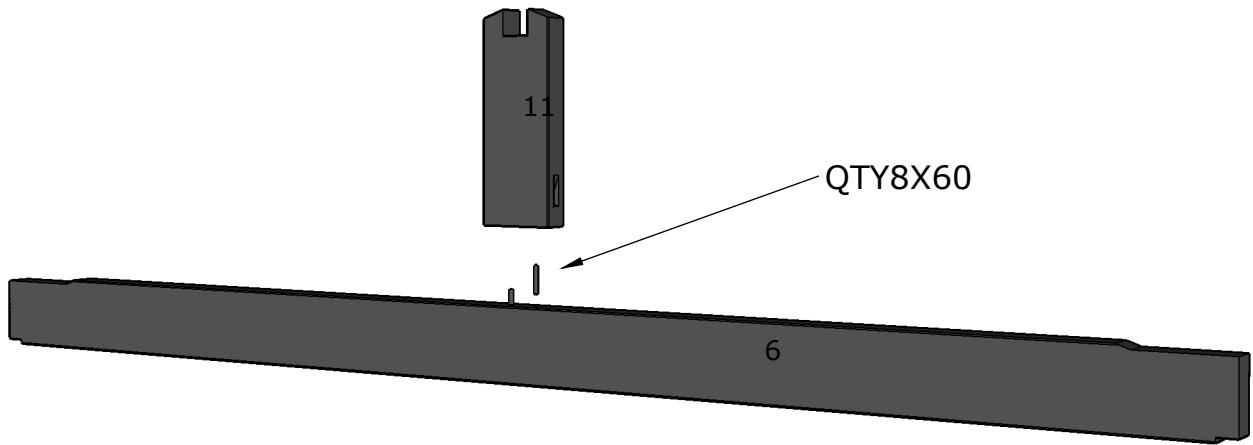
Positions: 6, 11



4 x (QKRPP6x150ZnTX)



4 X (QTY8X60)

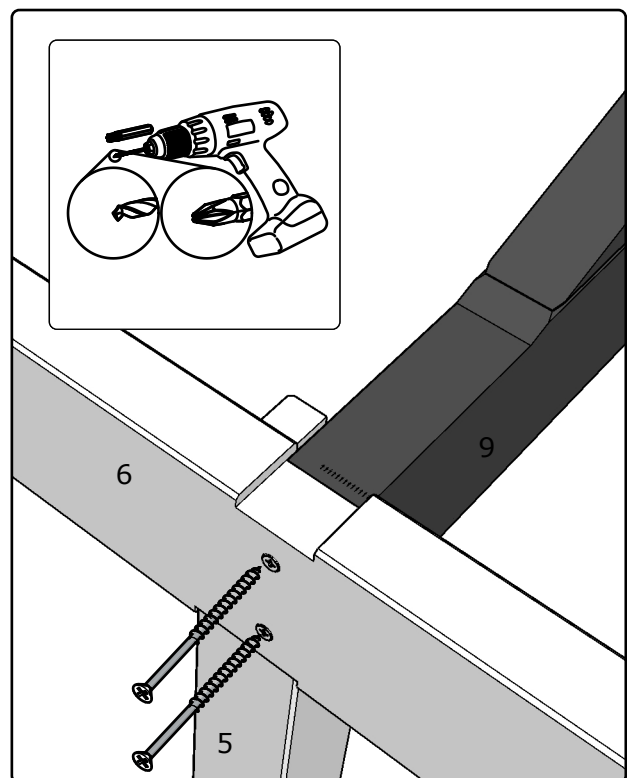
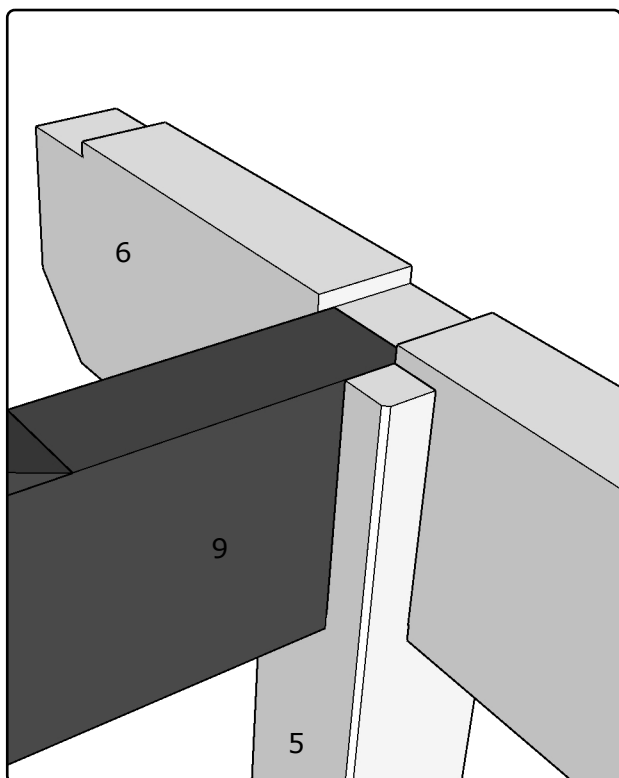
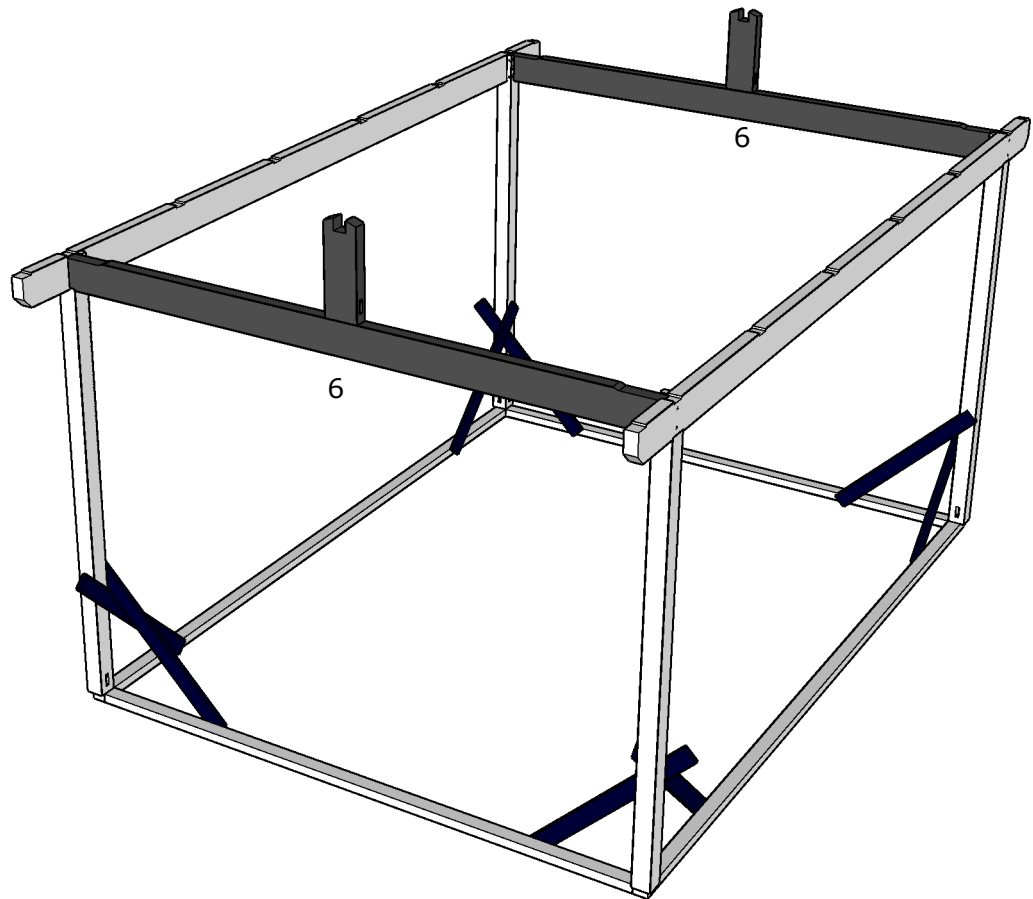


5

Plan:
Positions: 9

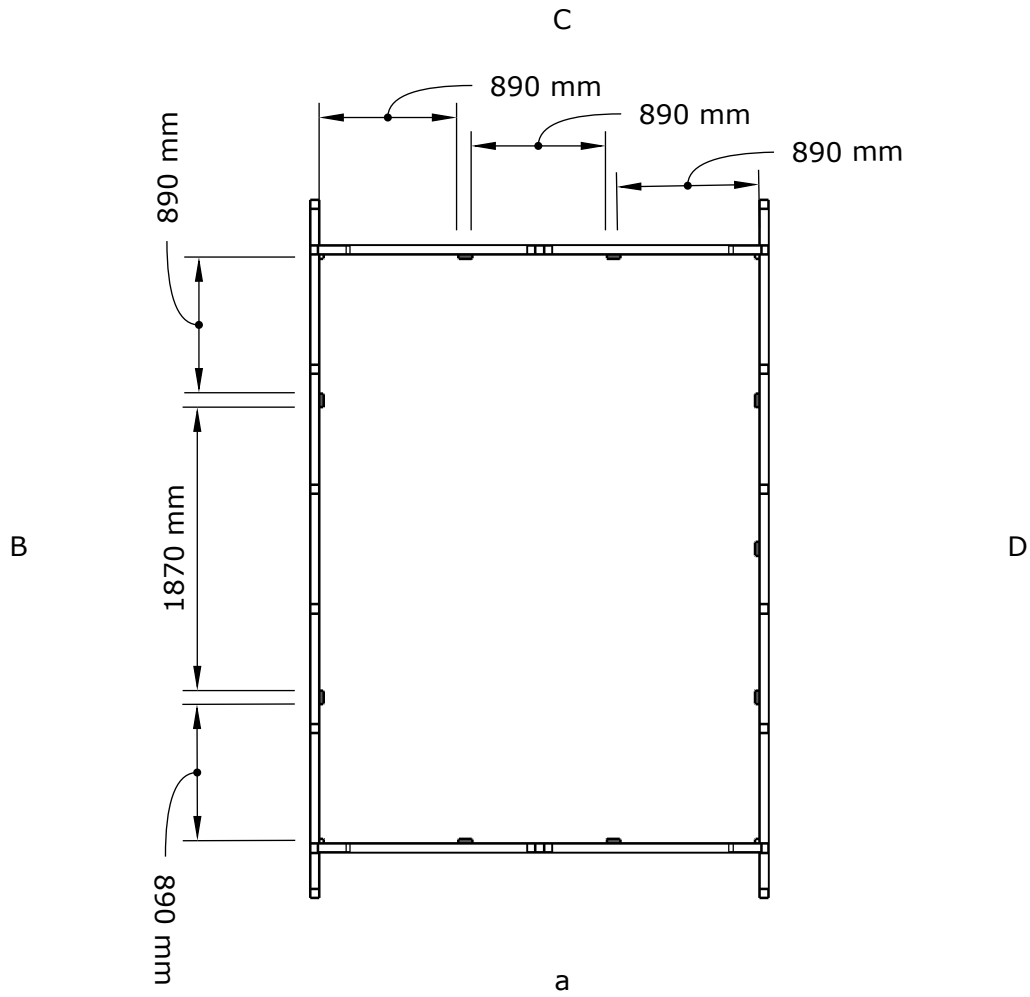


8 x (QKRPP6x150ZnTX)




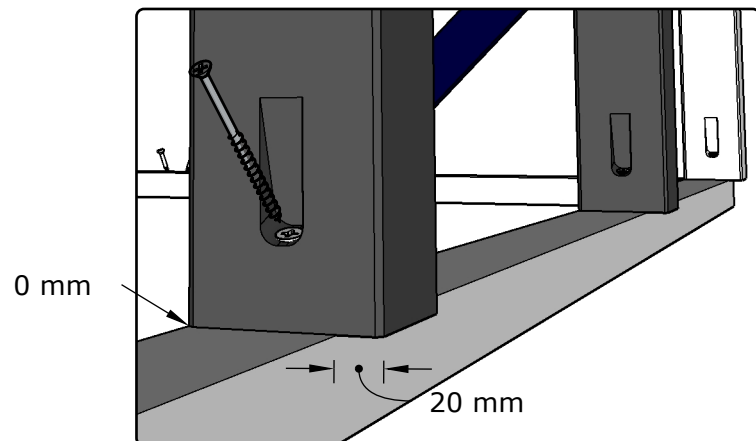
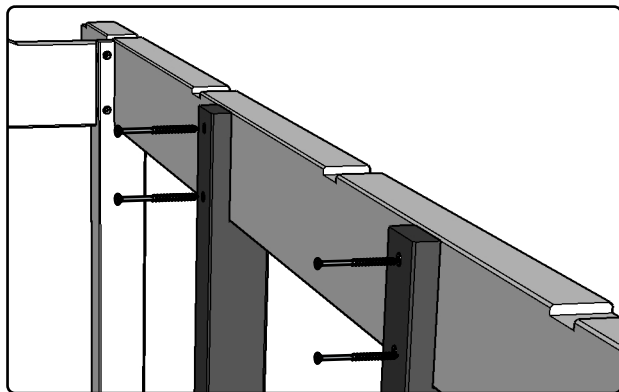
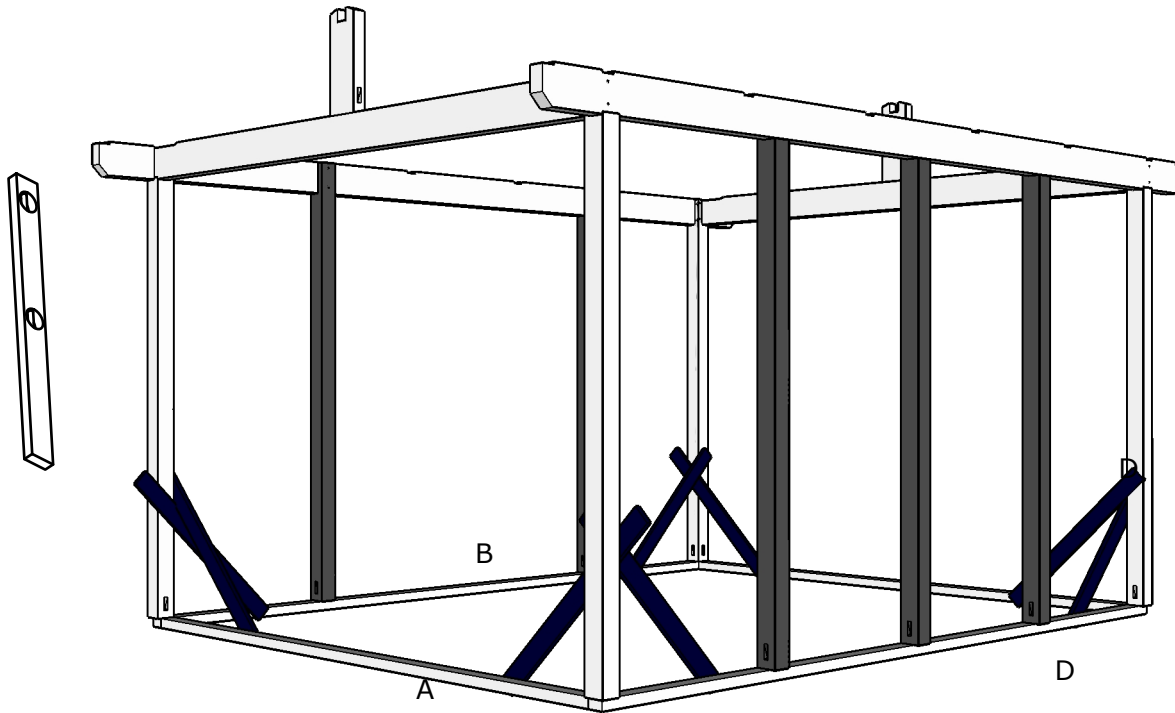
6

Plan:
Positions: 4




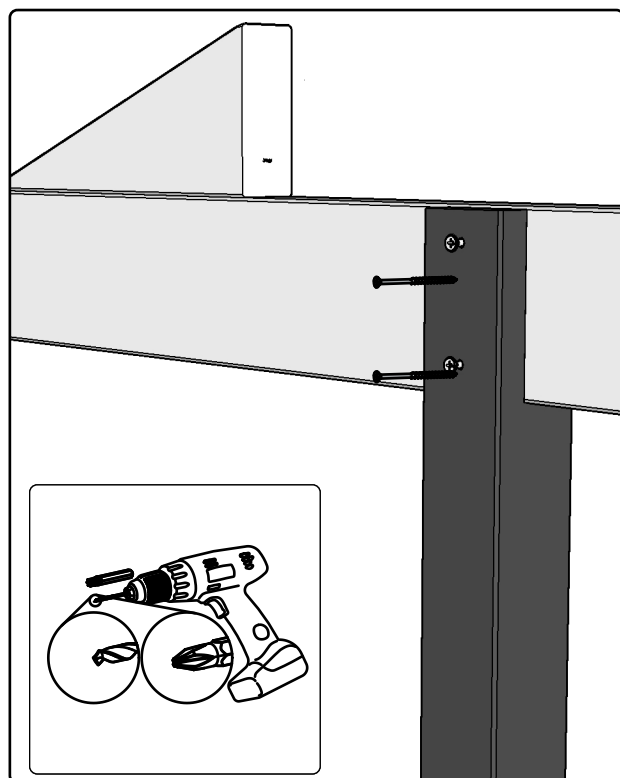
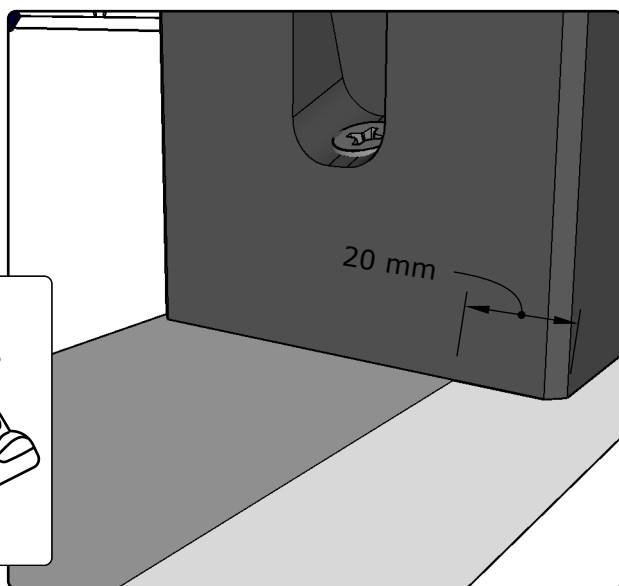
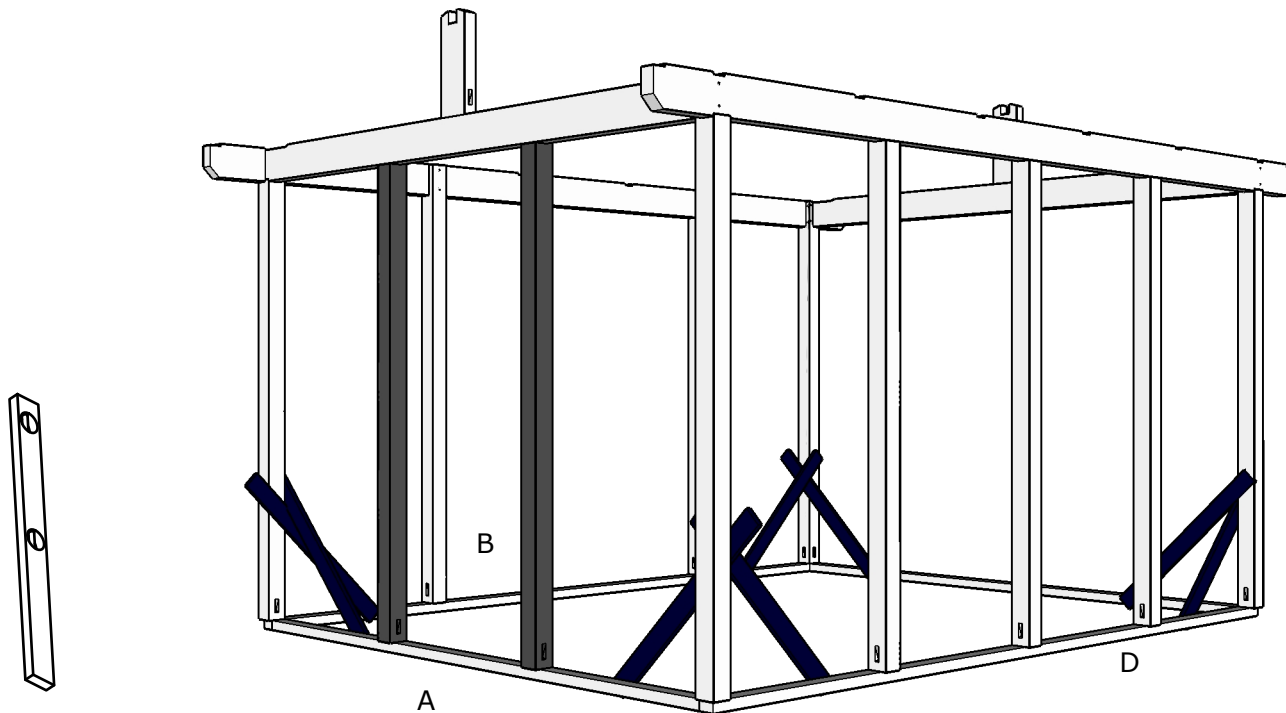
Plan:
Positions: 4

 20 x (QKRPP6x80Zn)




Plan:
Positions: 4

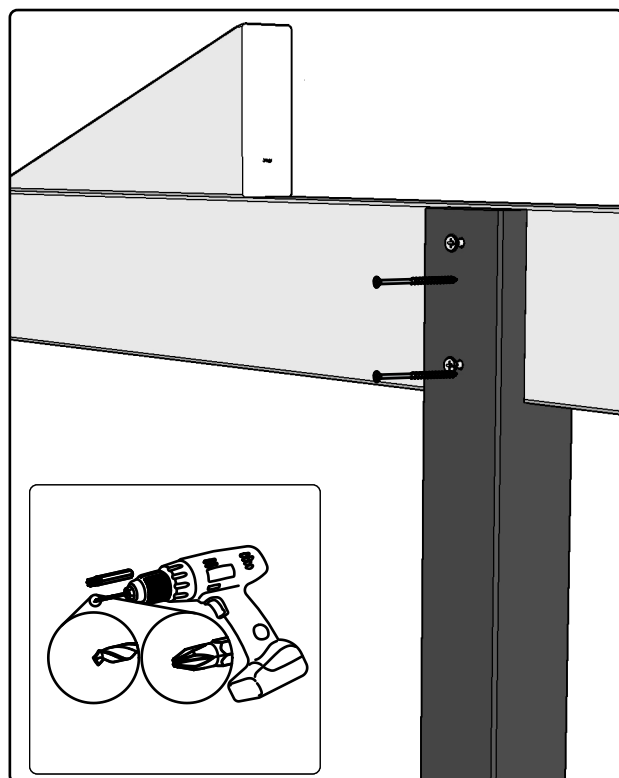
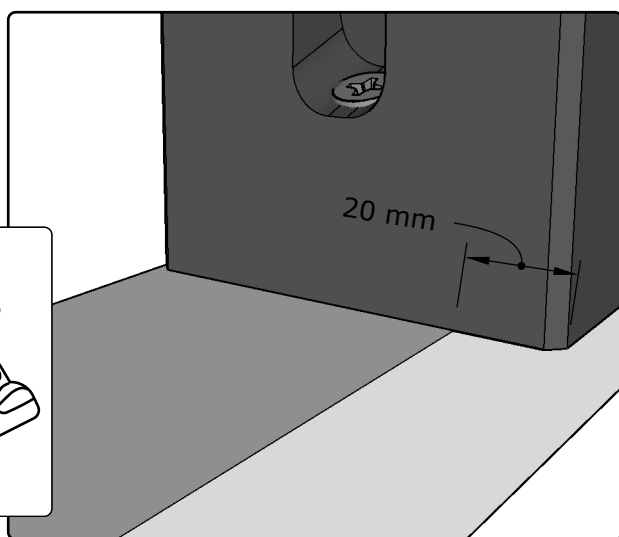
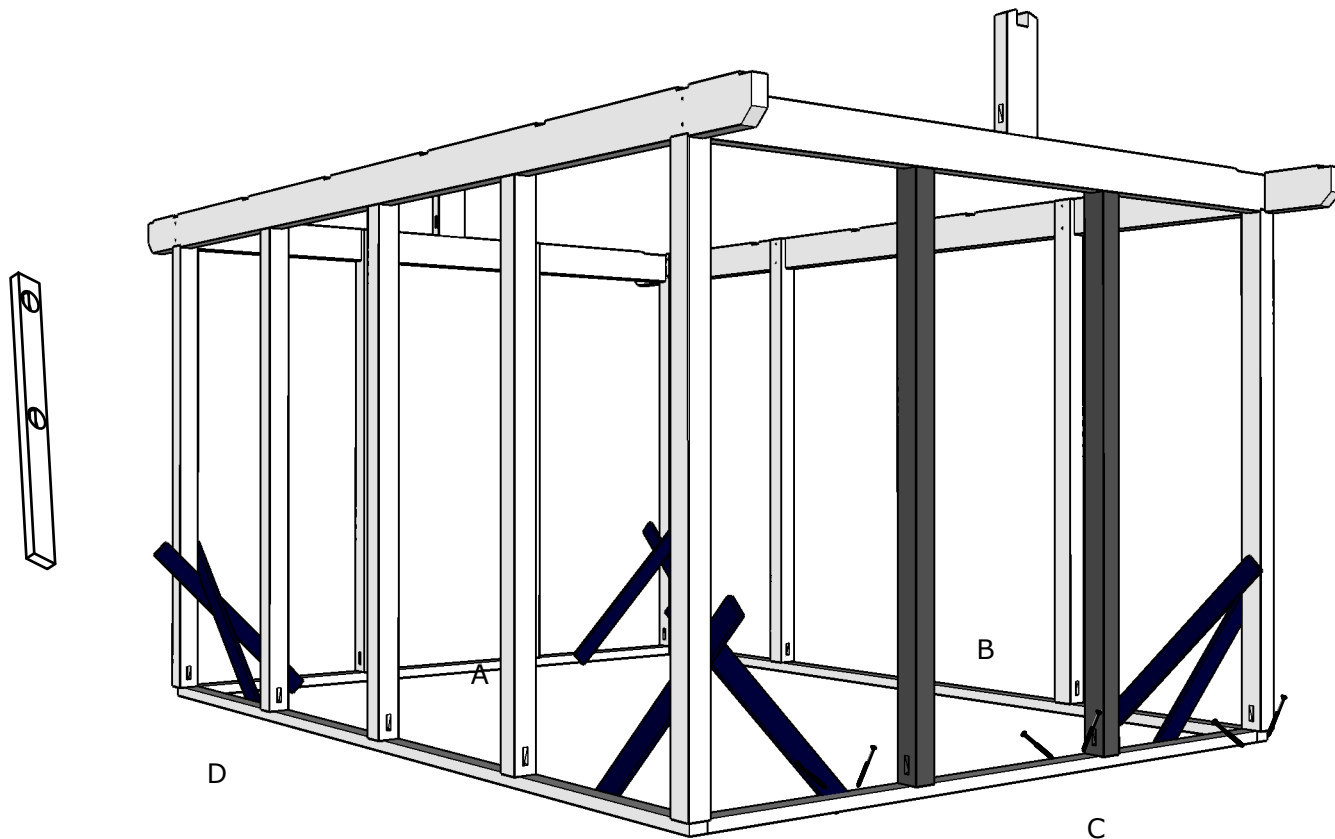
 8 x (QKRPP6x80Zn)



9


Plan:
Positions: 4

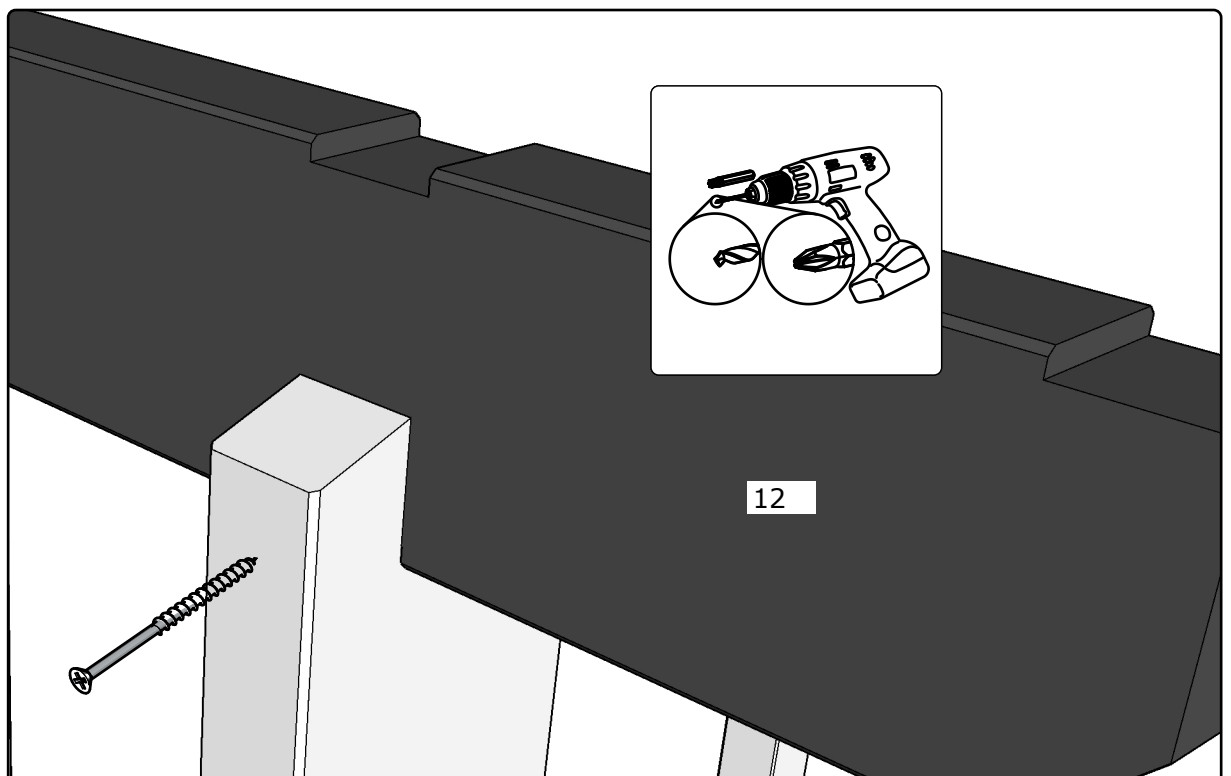
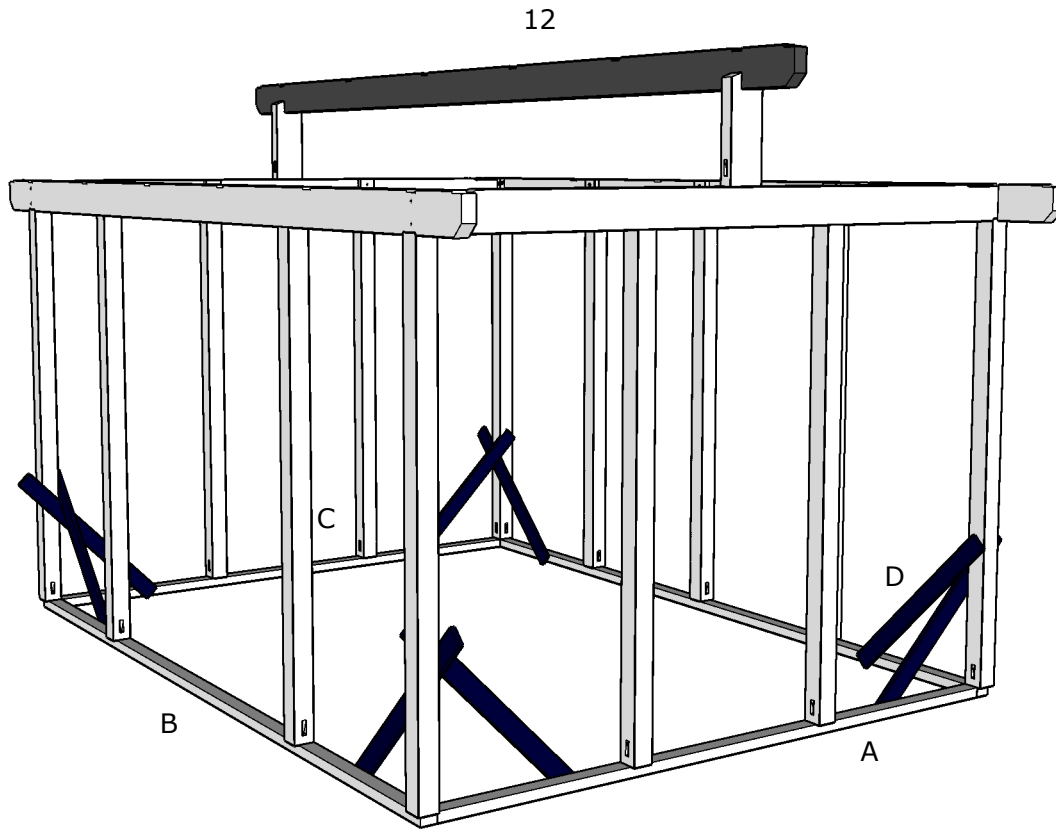
 12 x (QKRPP6x80Zn)



10

Plan:
Positions: 12

 4 x (QKRPP6x150ZnTX)



11

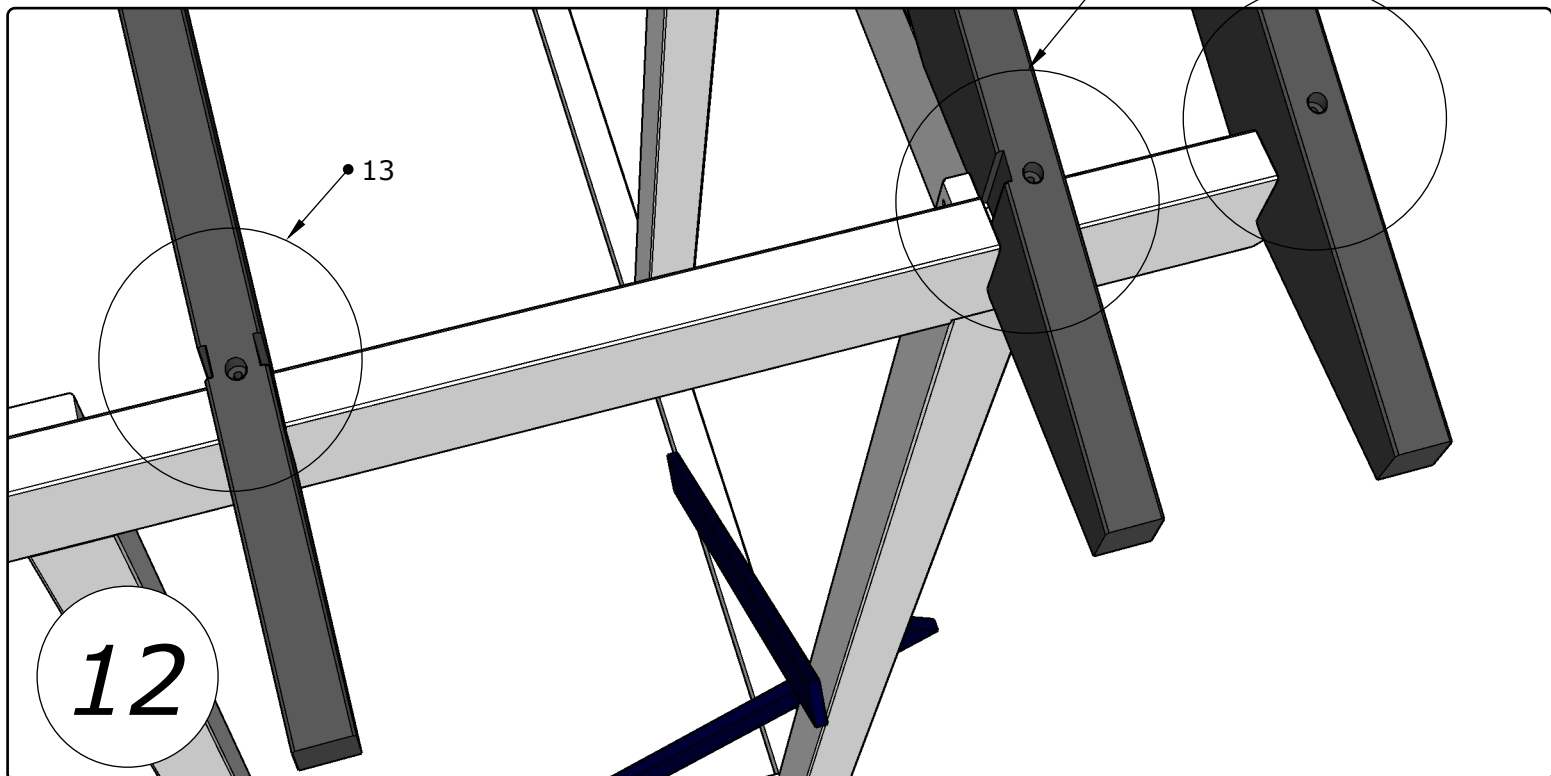
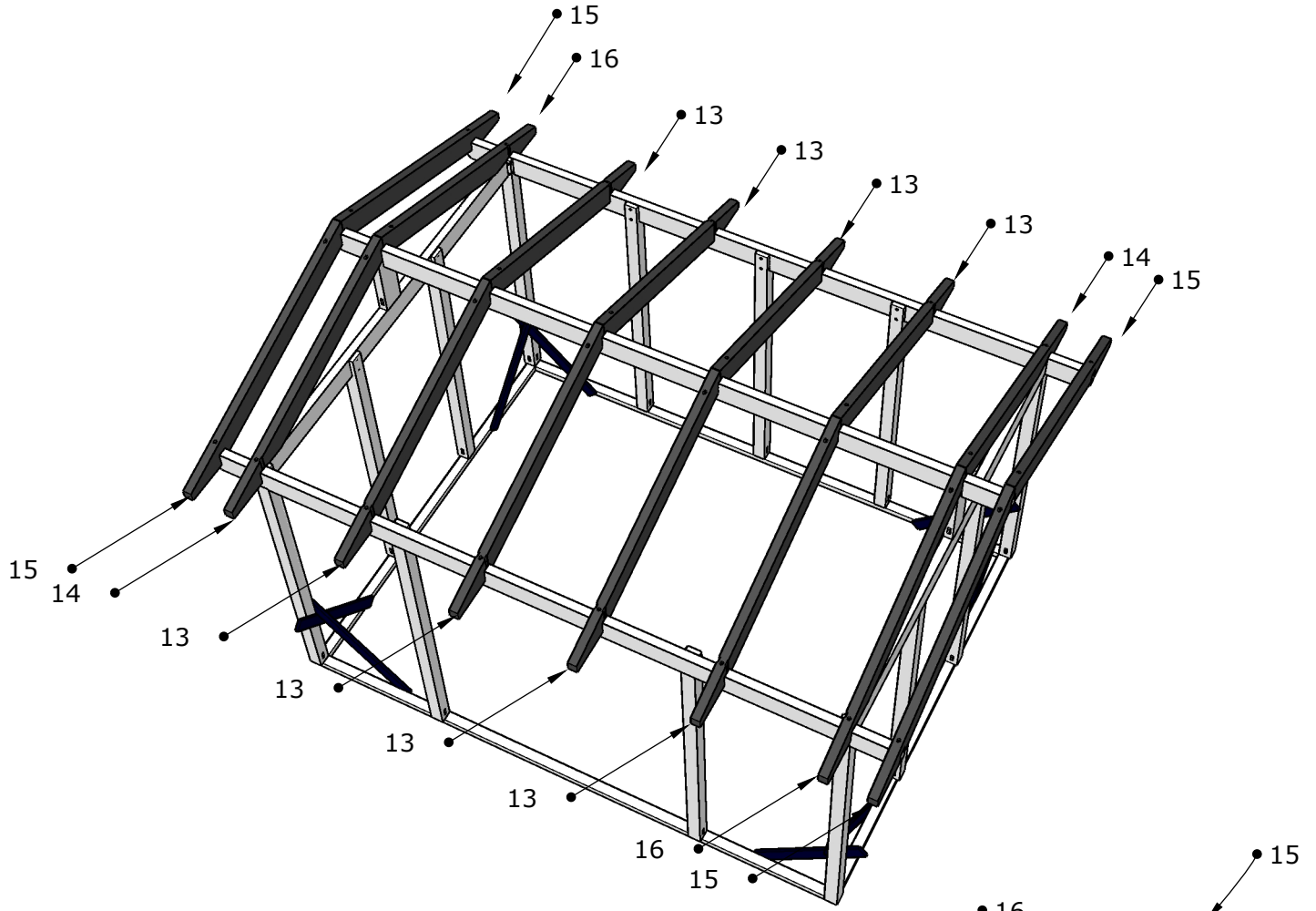
12

Plan:

Positions: 13, 14, 15, 16



32 x (QKRPP6x150ZnTX)

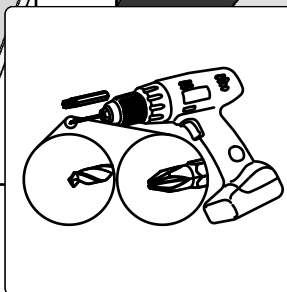
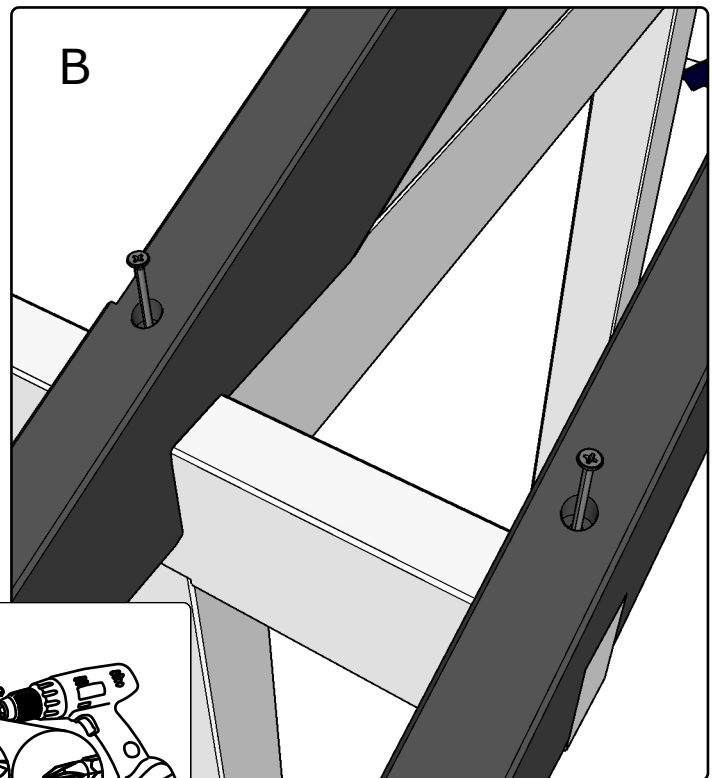
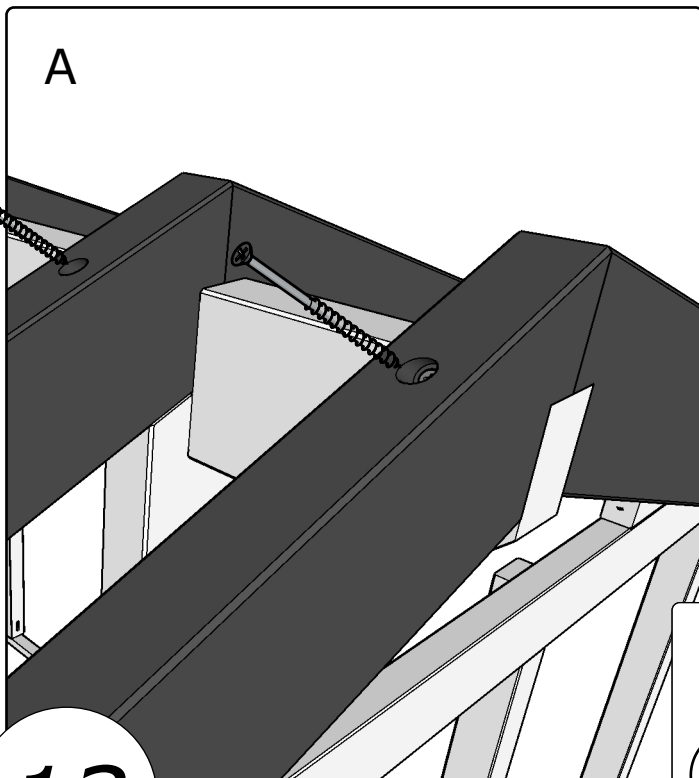
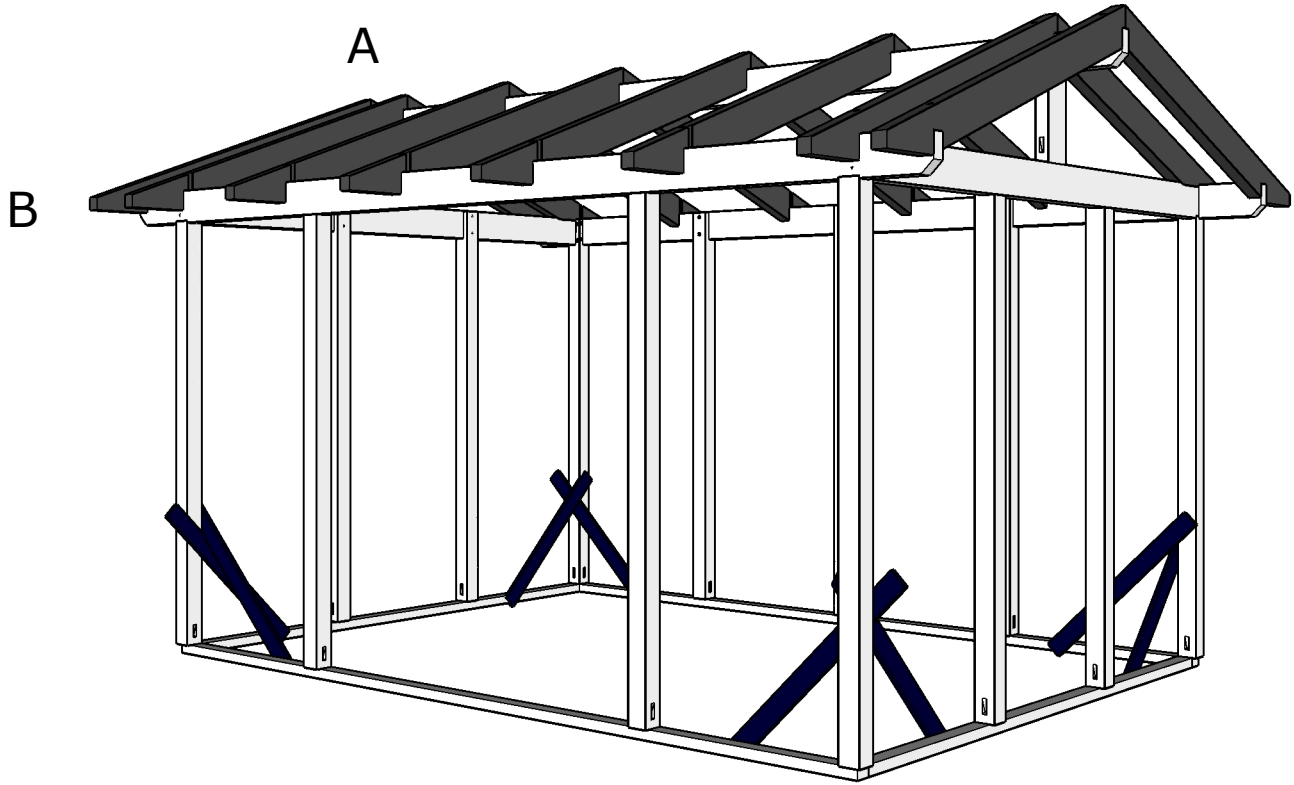


Plan:

Positions: 13, 14, 15, 16

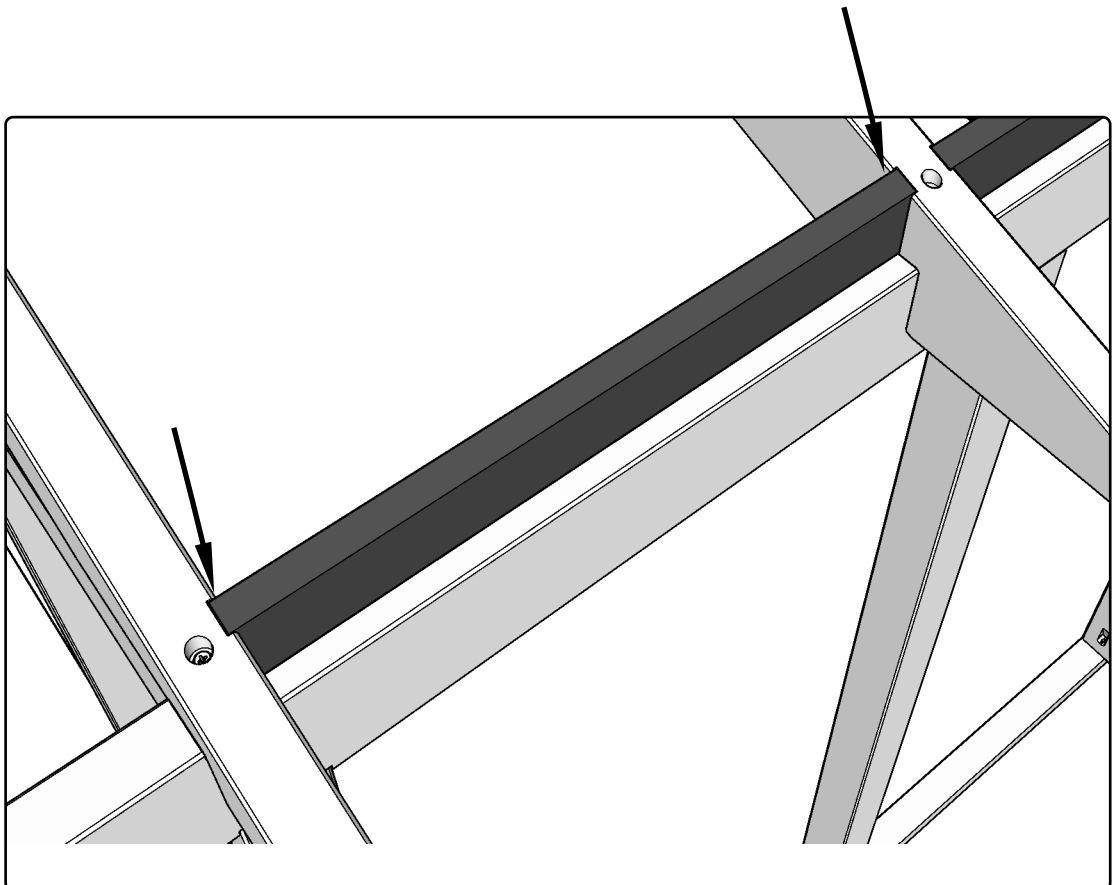
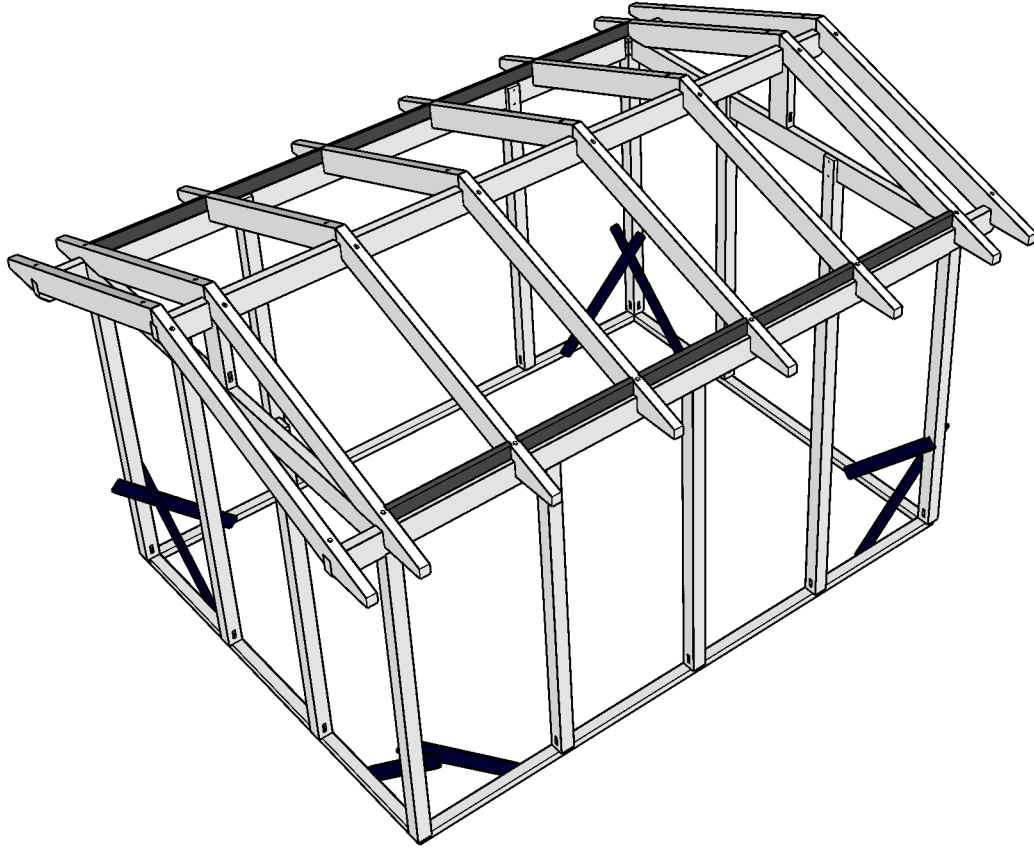


32 x (QKRPP6x150ZnTX)



13

Plan:
Positions: 18

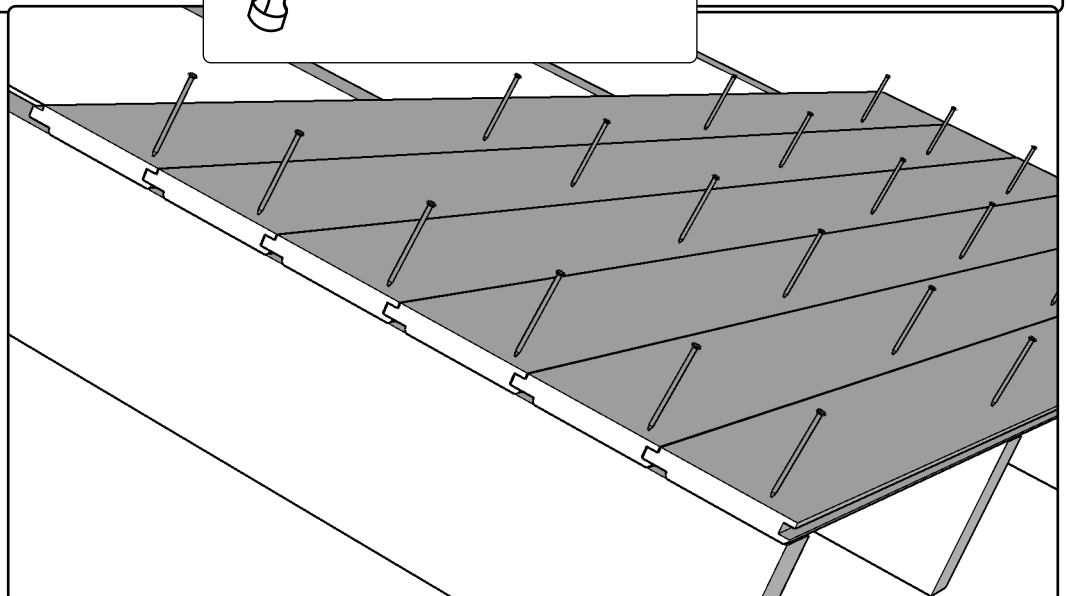
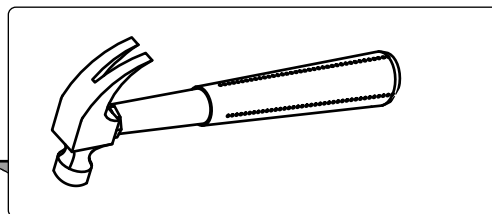
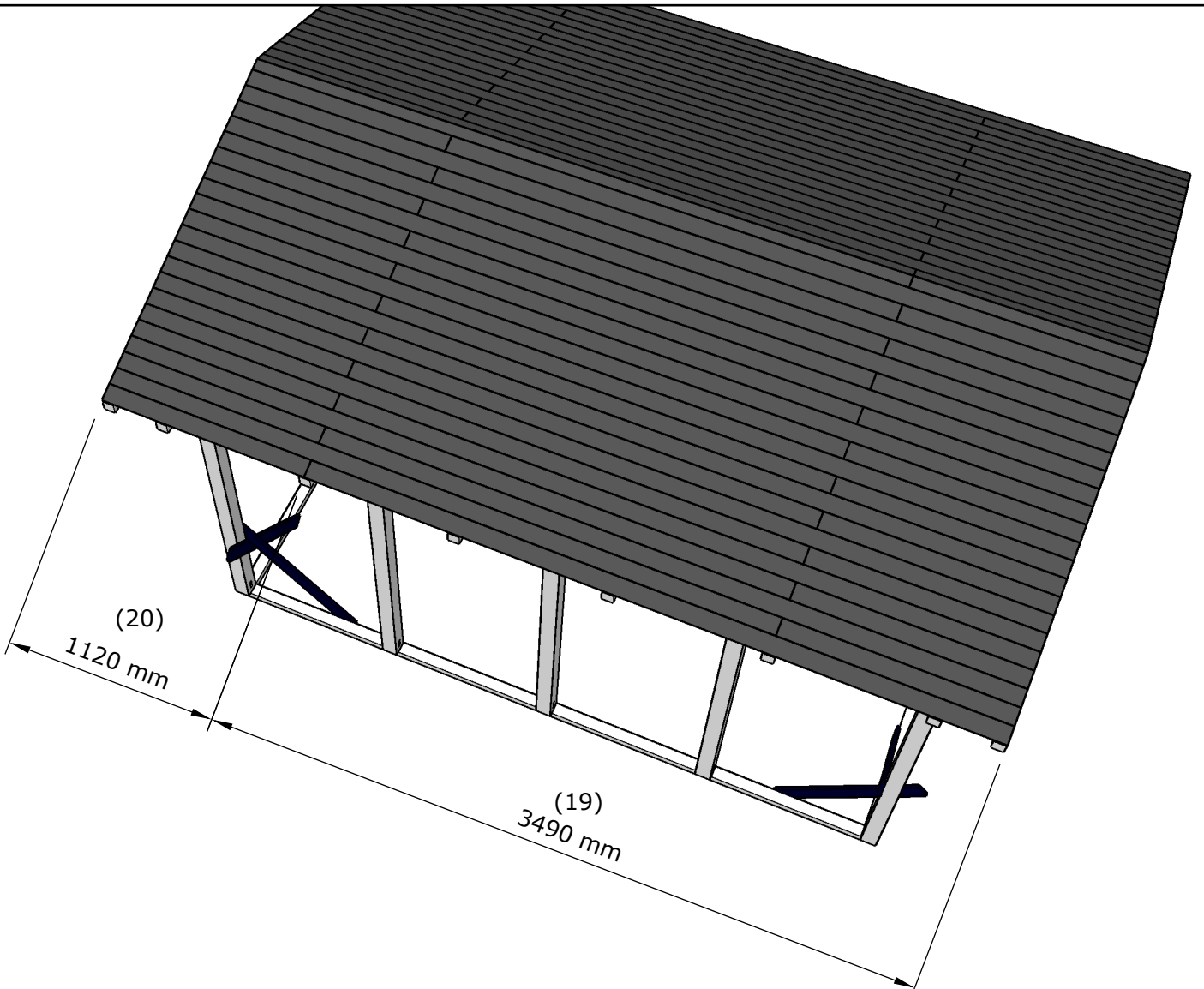


14

Plan:
Positions: 19, 20



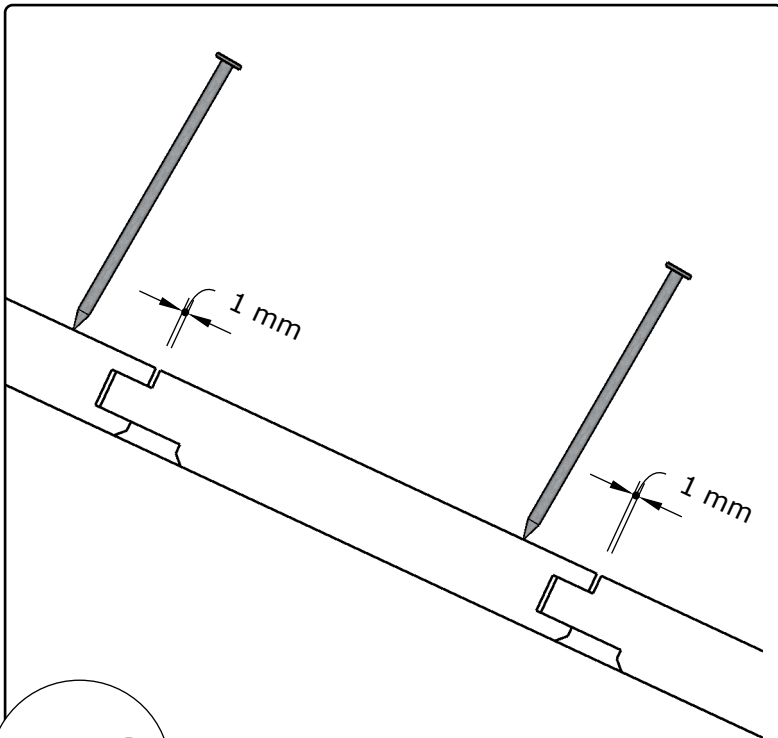
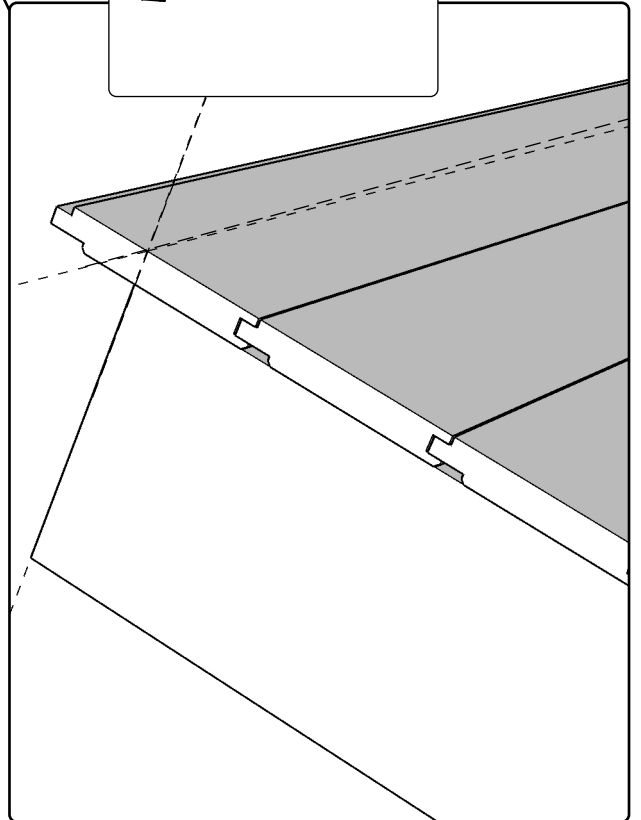
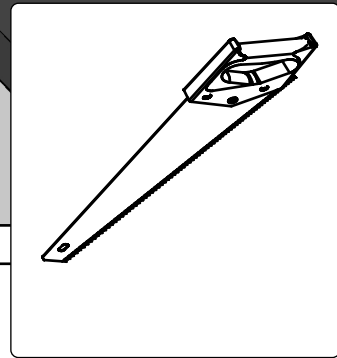
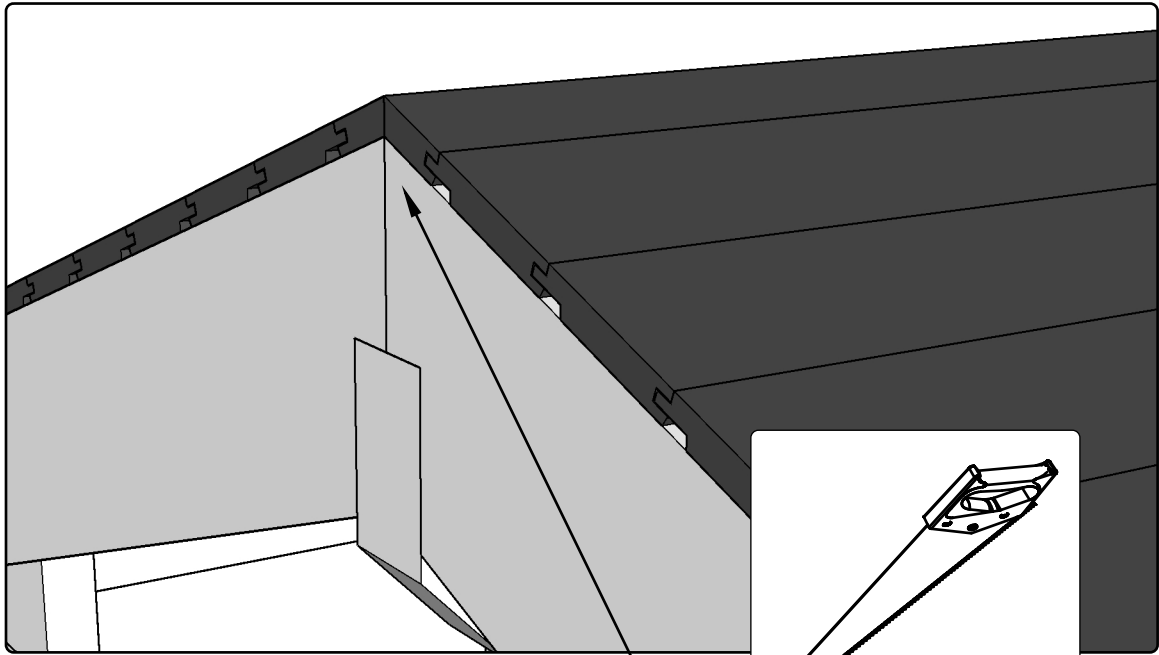
1000 x (QNA2_2x50Zn)



Plan:
Positions: 19, 20

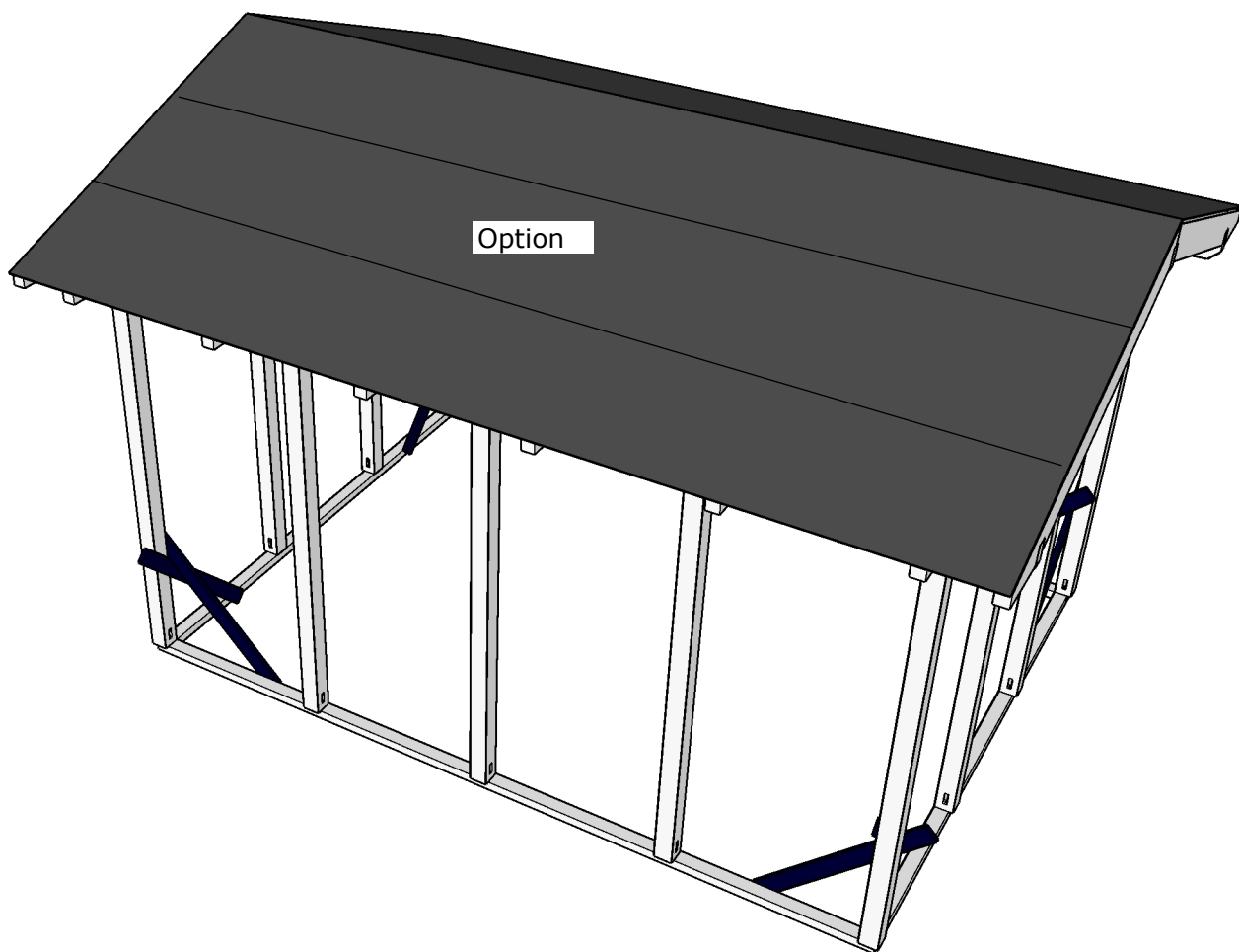


1000 x (QNA2_2x50Zn)



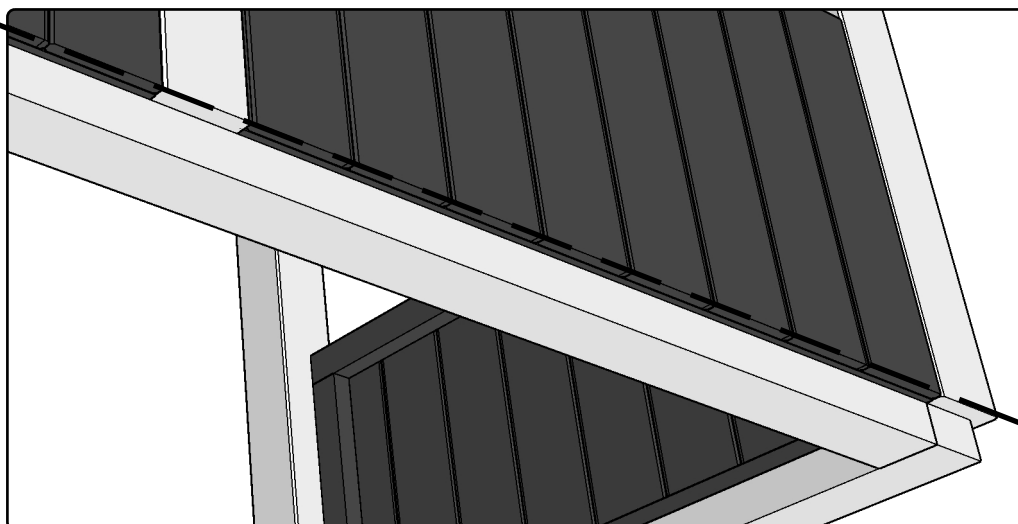
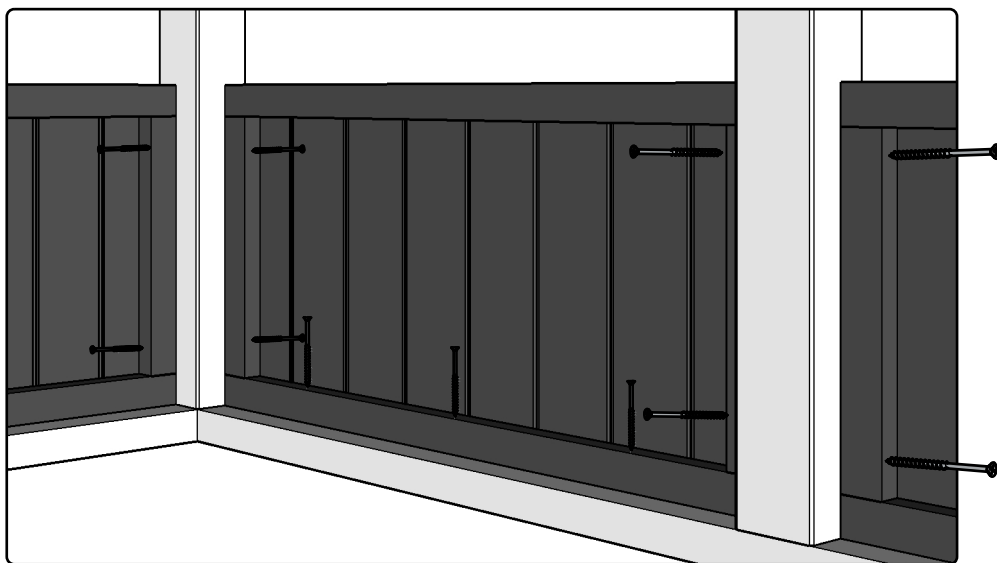
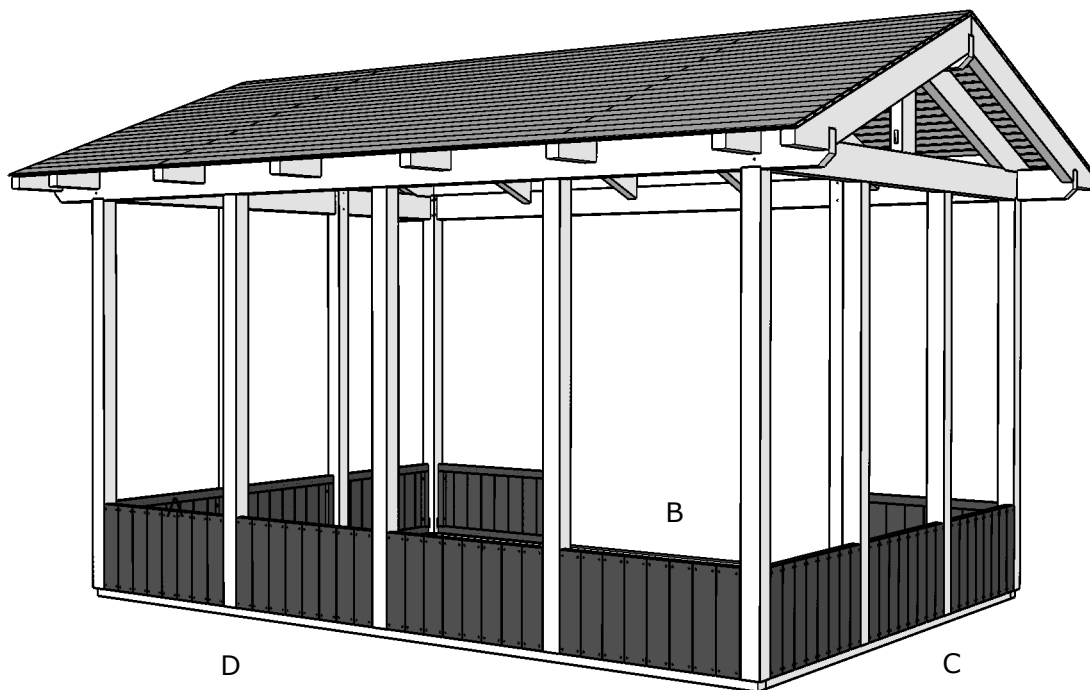
16

Plan:
Positions:




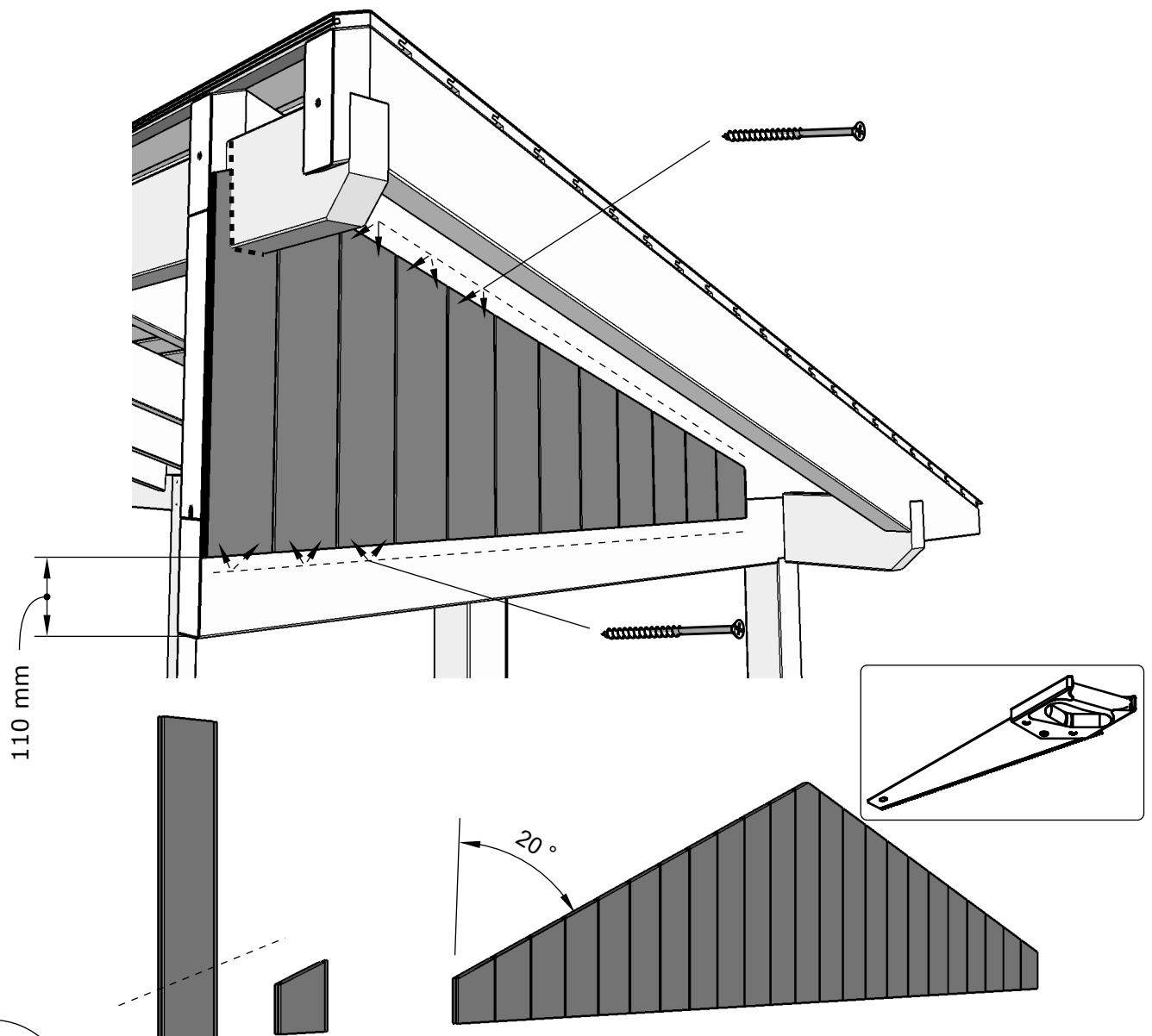
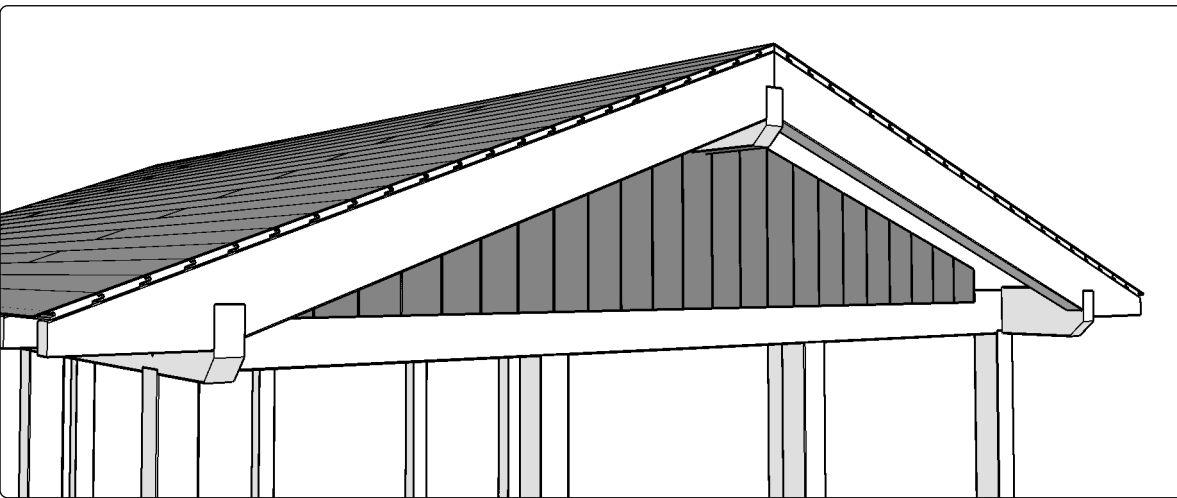
Plan:
Positions: EL1

 100 x (QKRPP5x90Zn)



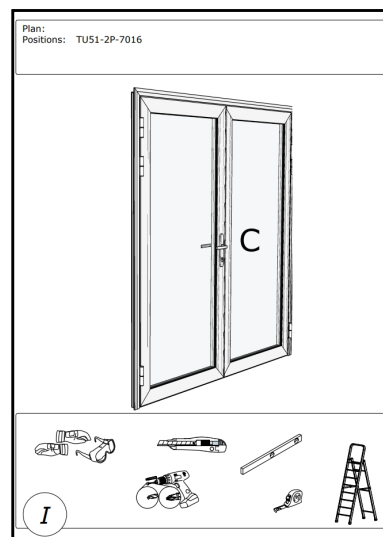
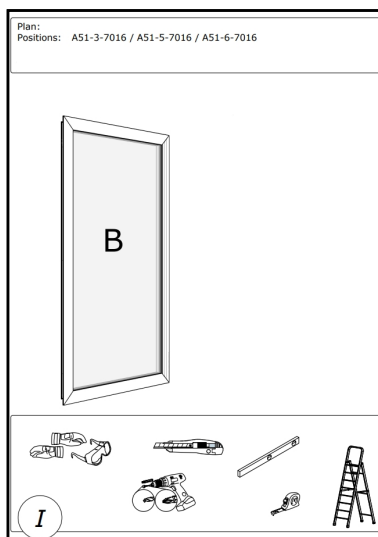
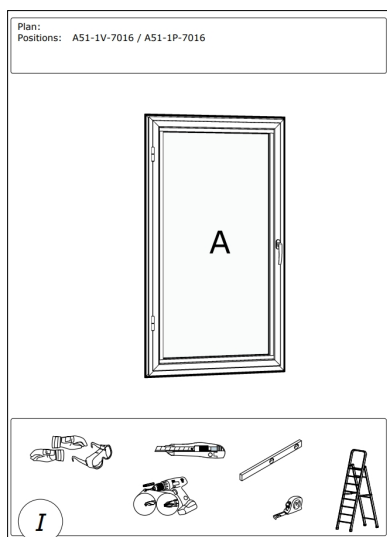
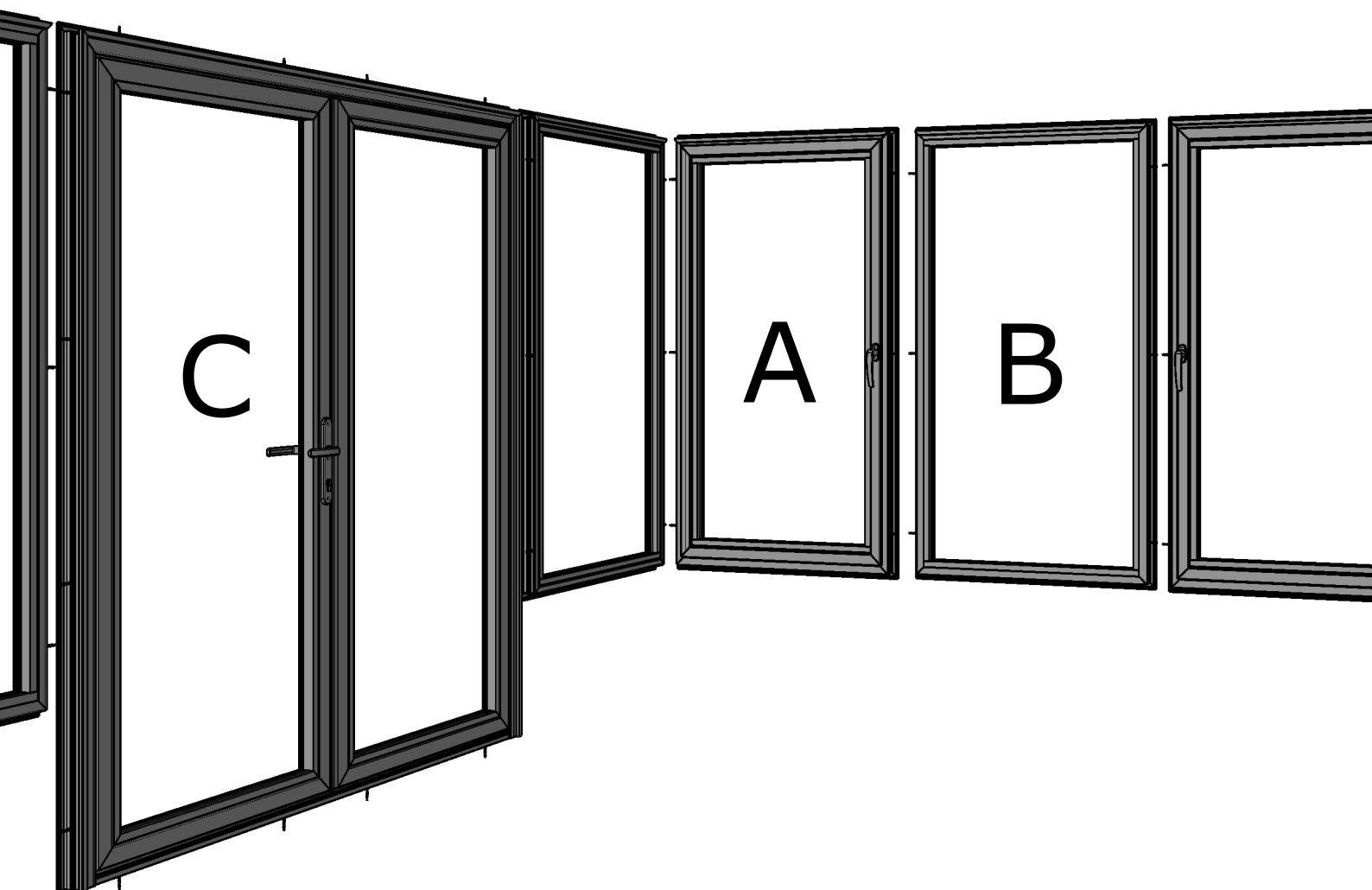
Plan:
Positions: 10

 200 x (QKRPP4_5x50Zn)




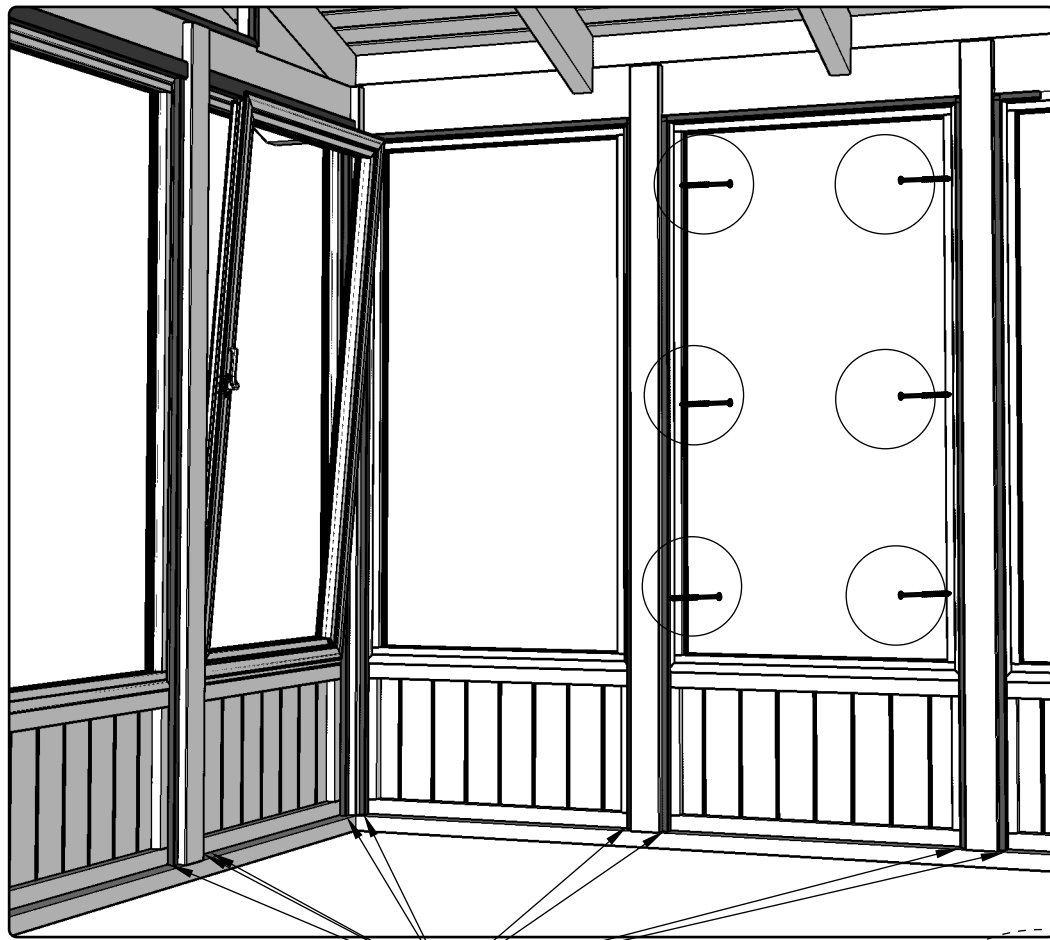
Plan:

Positions: A51-1V-7016 / A51-1P-7016 / A51-3-7016

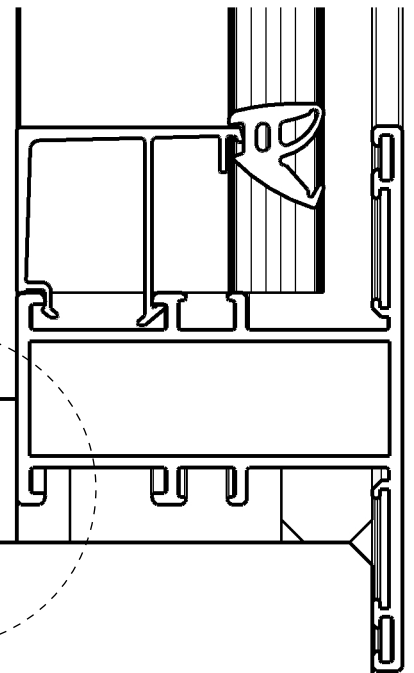


Plan:
Positions: 24

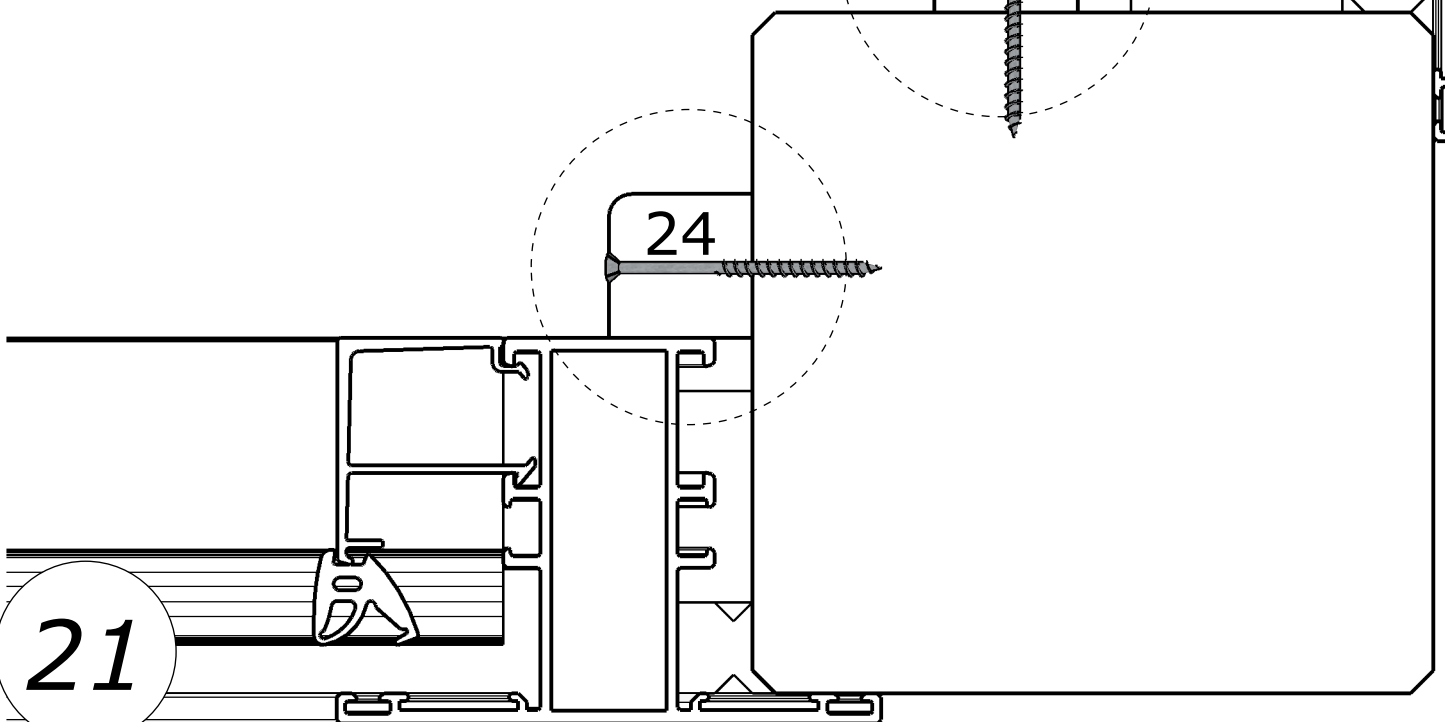
 72 x (QKRPP3x35Zn)



3



24



24

21

Plan:
Positions: 24



24 x (QKRPP3x35Zn)



Plan:
Positions: 3



8 x (QKRPP4_5x50Zn)



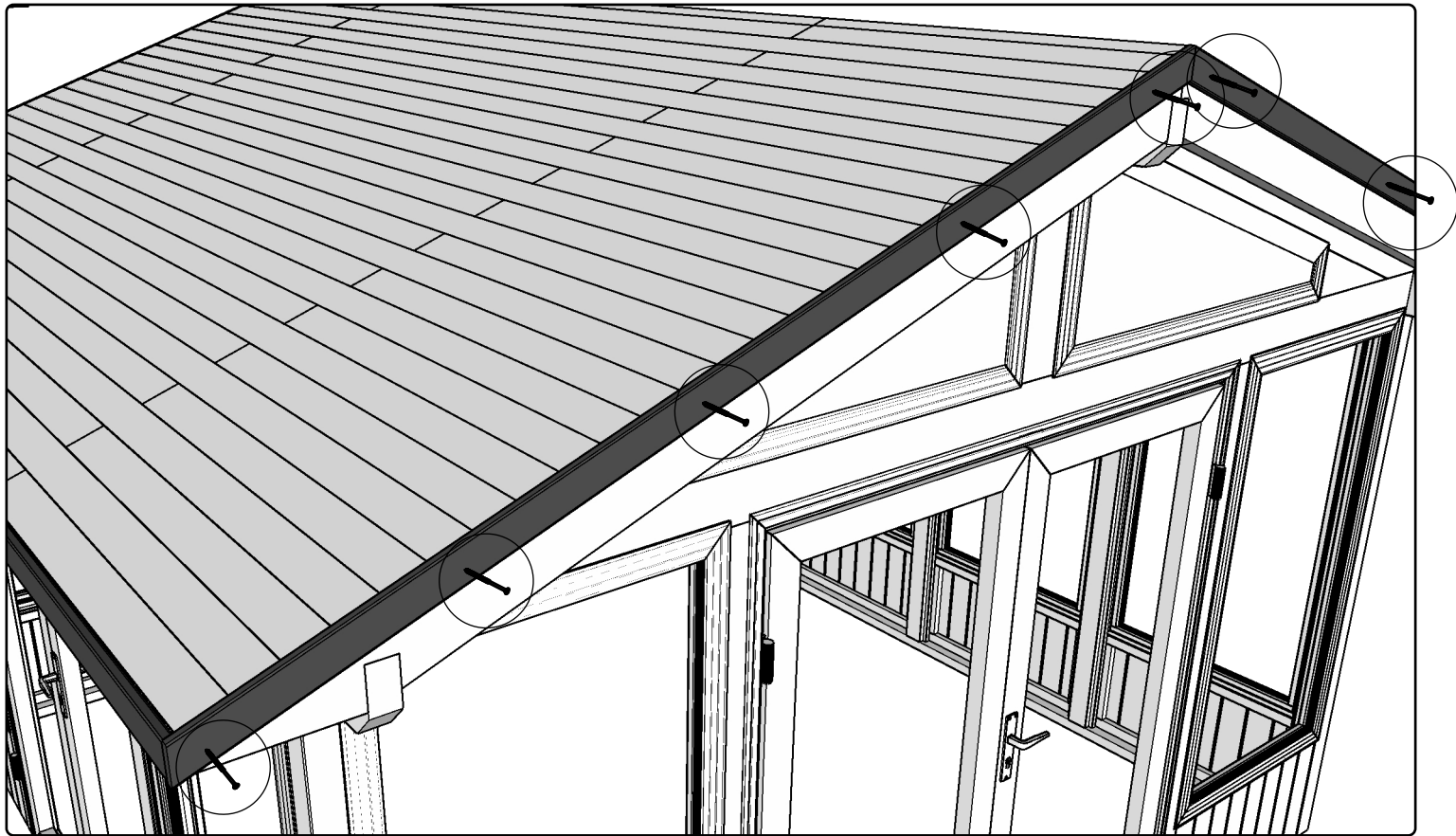
23

3

Plan:
Positions: 25



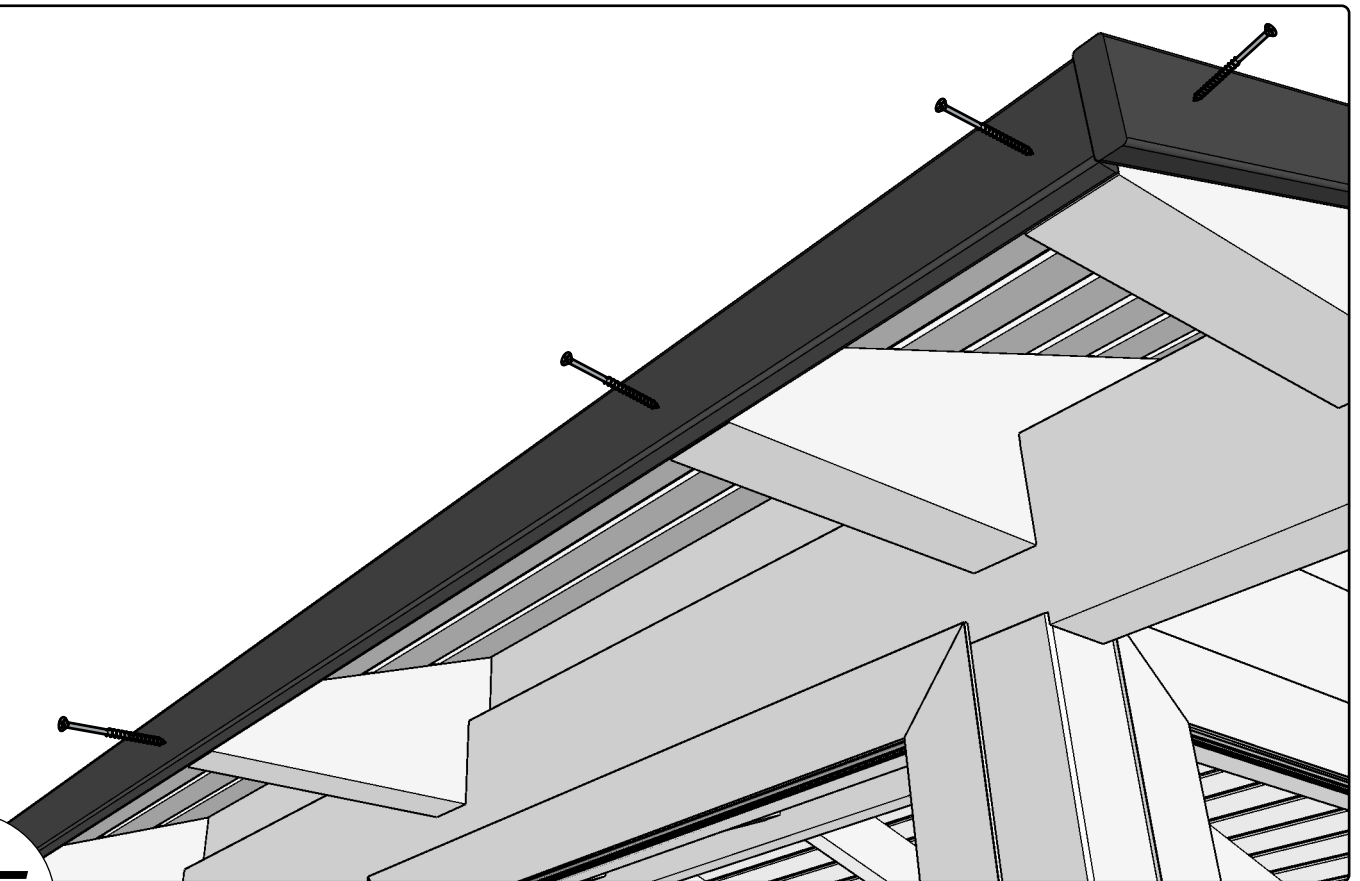
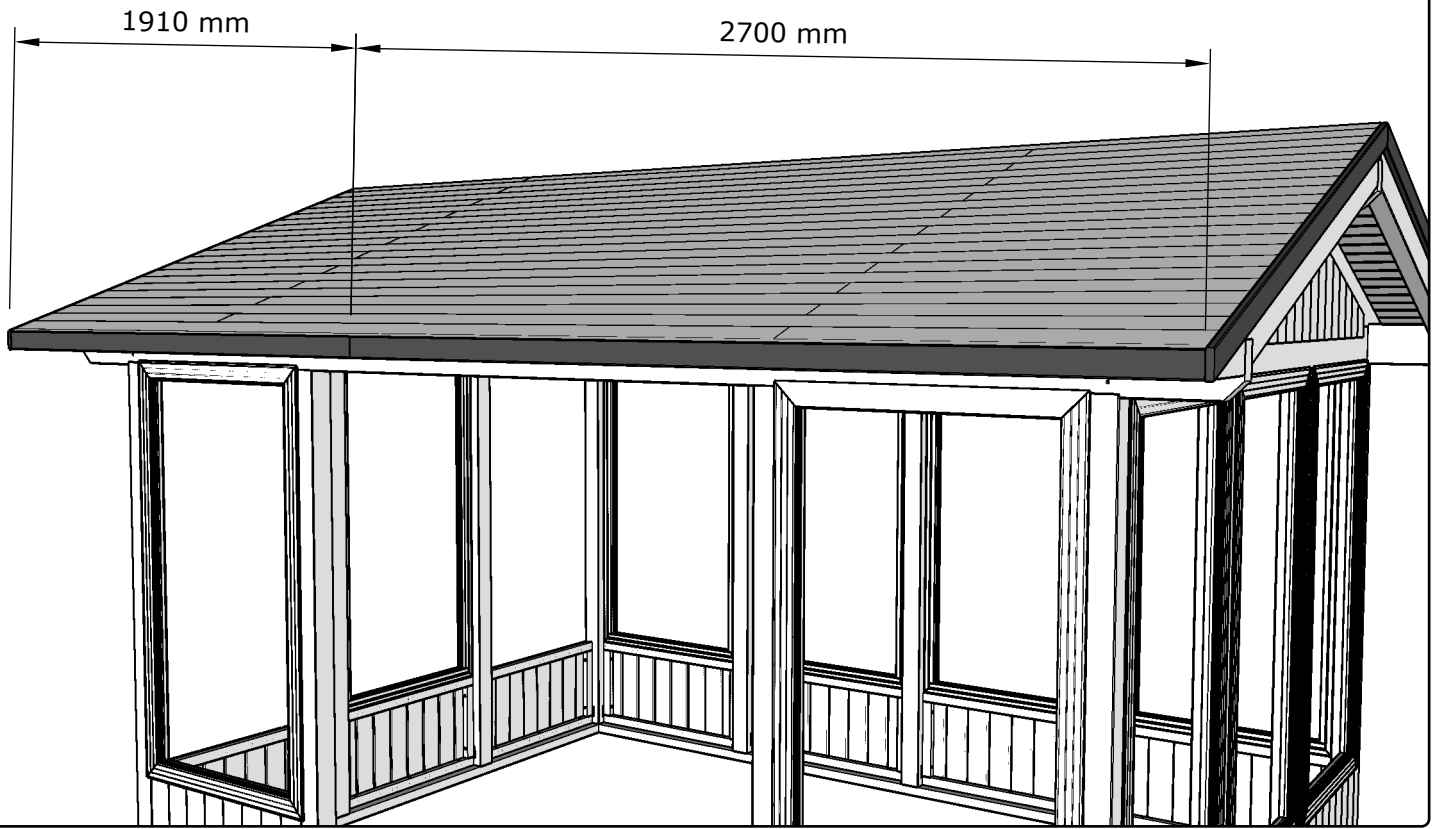
20 x (QKRPP4_5x50Zn)



Plan:
Positions: 22, 23



18 x (QKRPP4_5x50Zn)

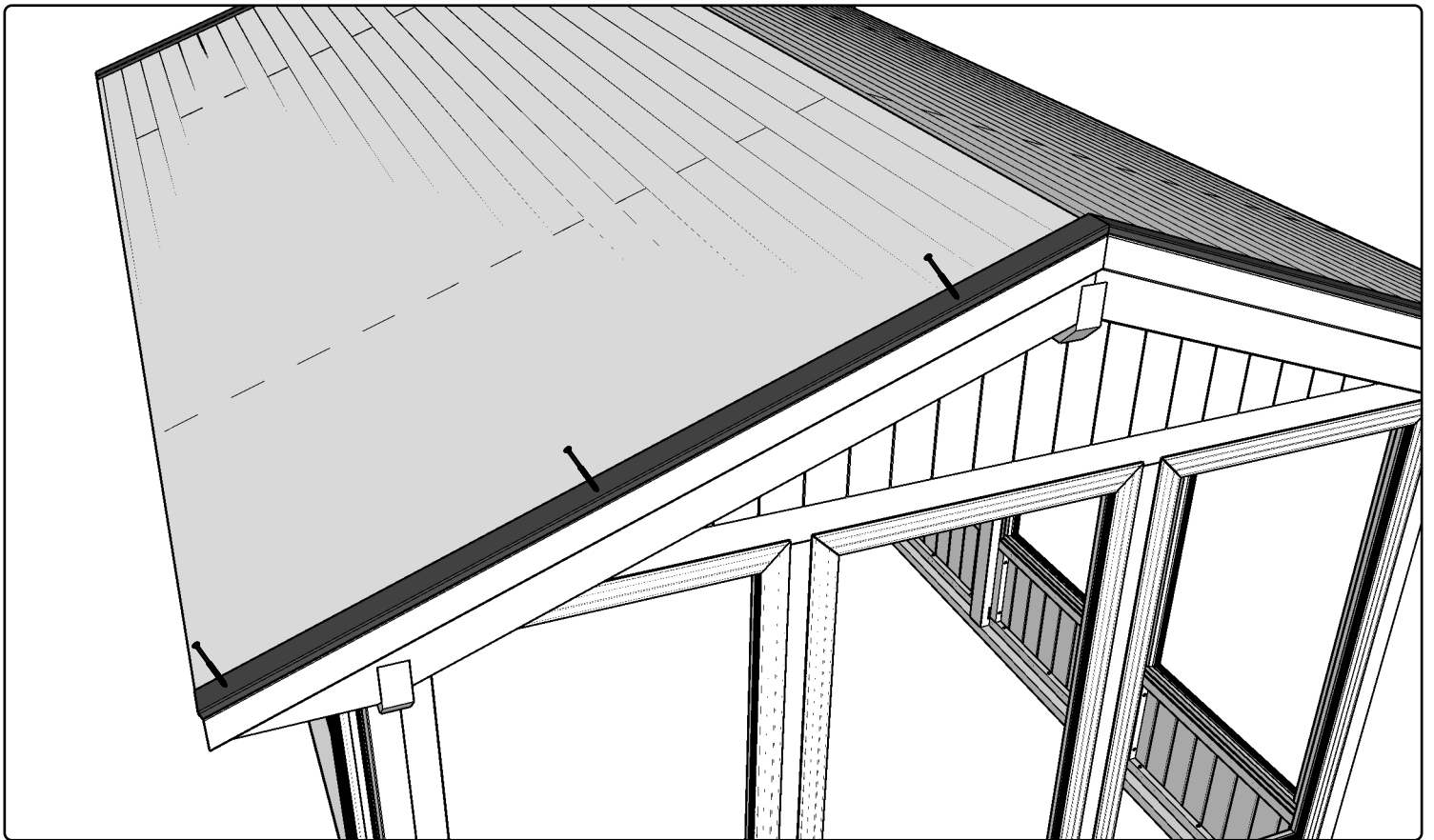


25

Plan:
Positions: 21

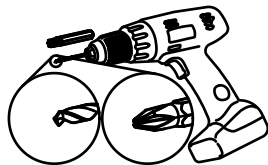
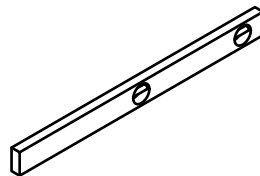
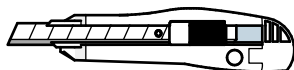
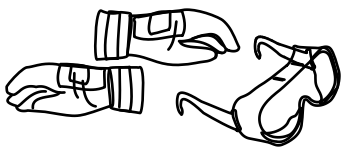
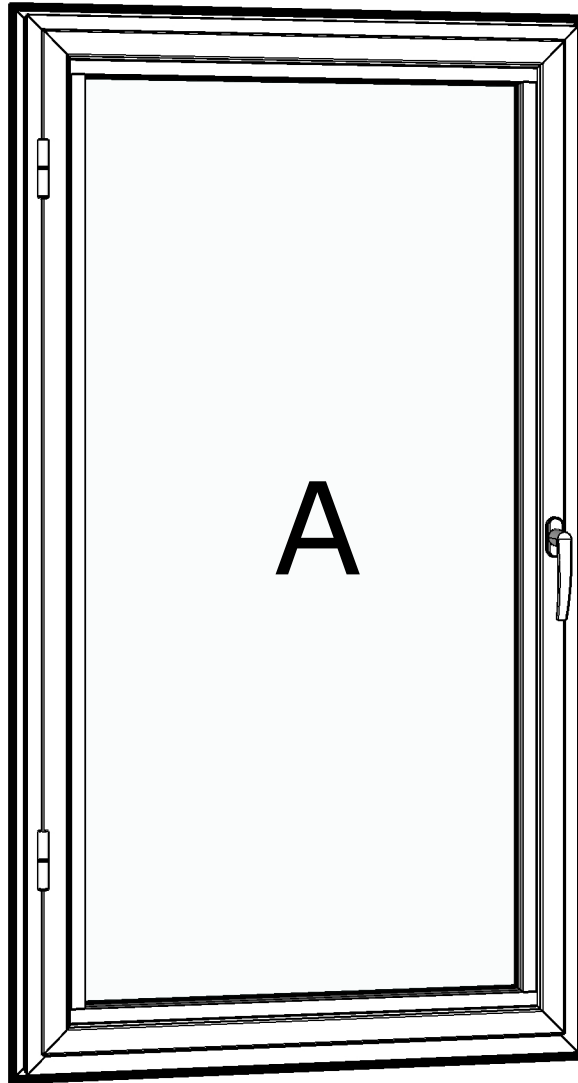


16 x (QKRPP4_5x50Zn)



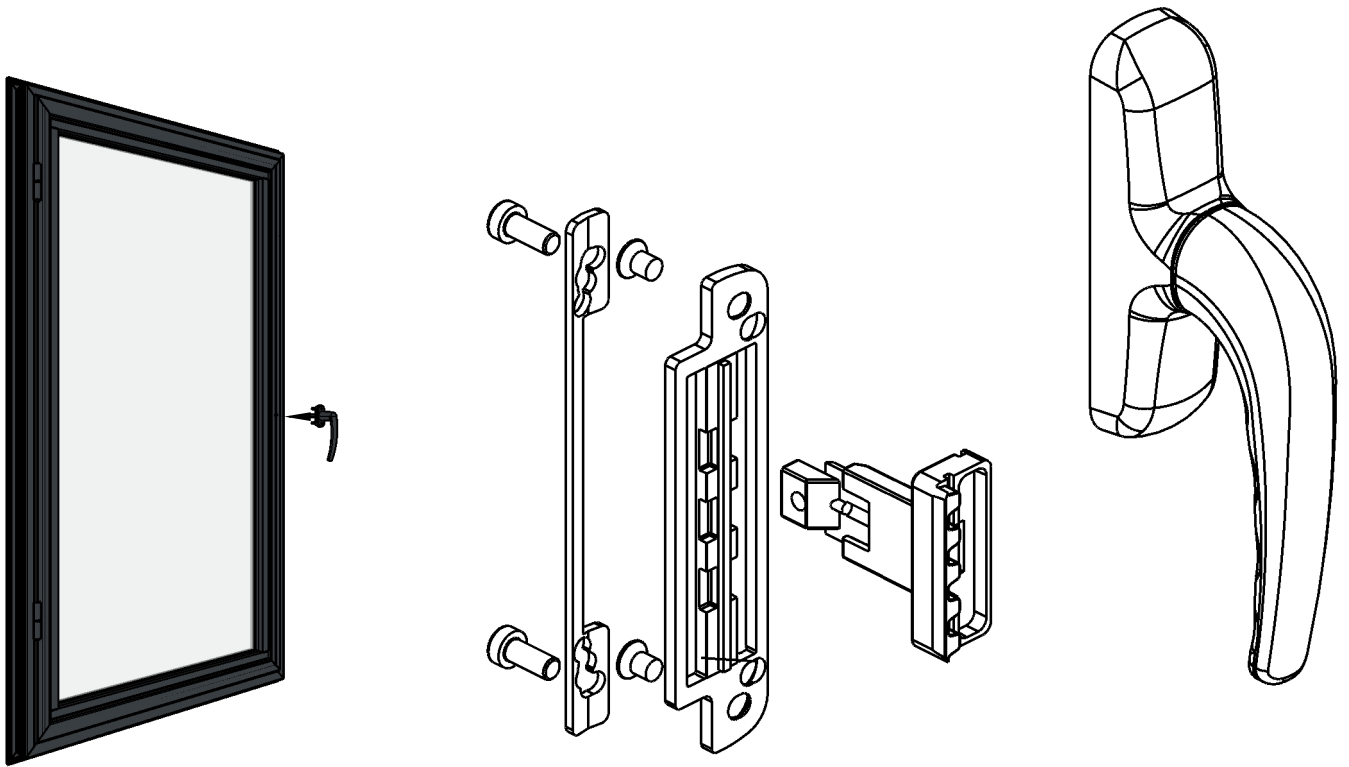
Plan:

Positions: A51-1V-7016 / A51-1P-7016



I

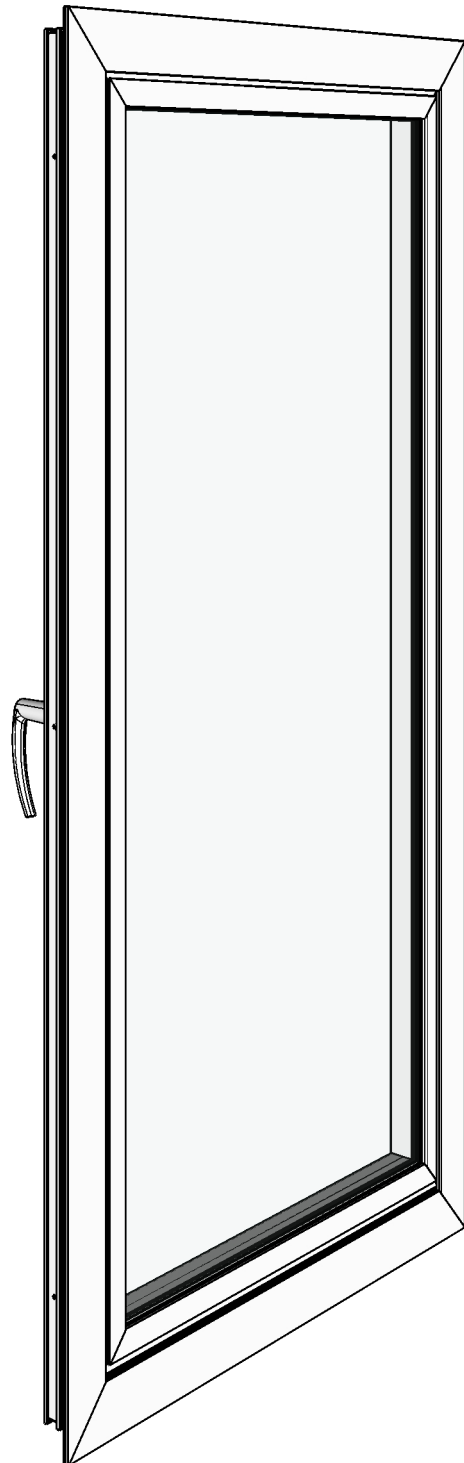
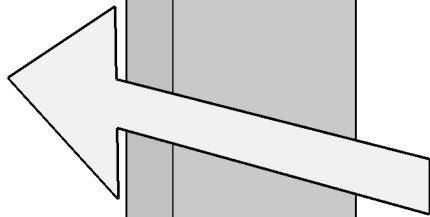
Plan:
Positions: A51-1V-7016 / A51-1P-7016



Plan:

Positions: A51-1V-7016 / A51-1P-7016

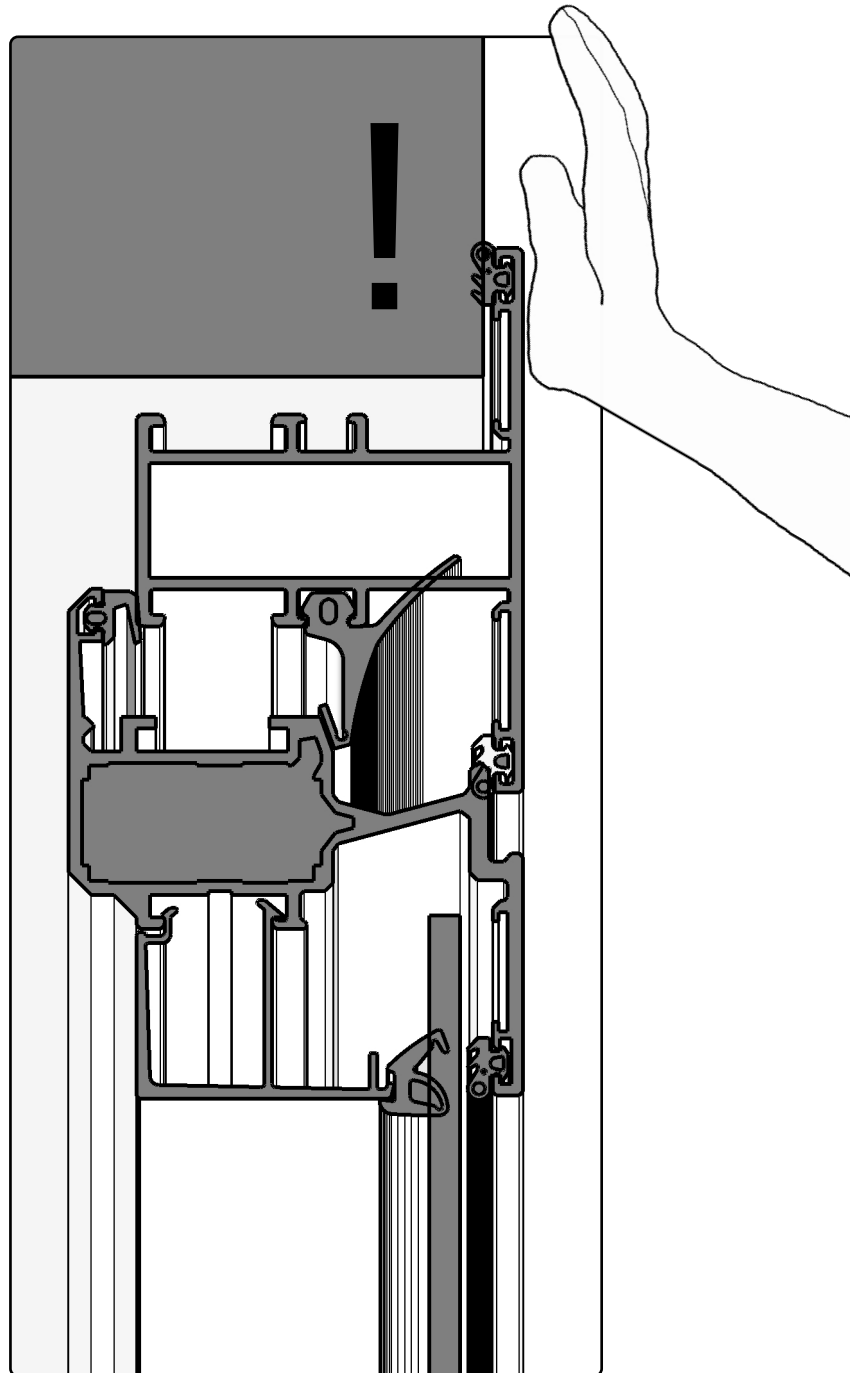
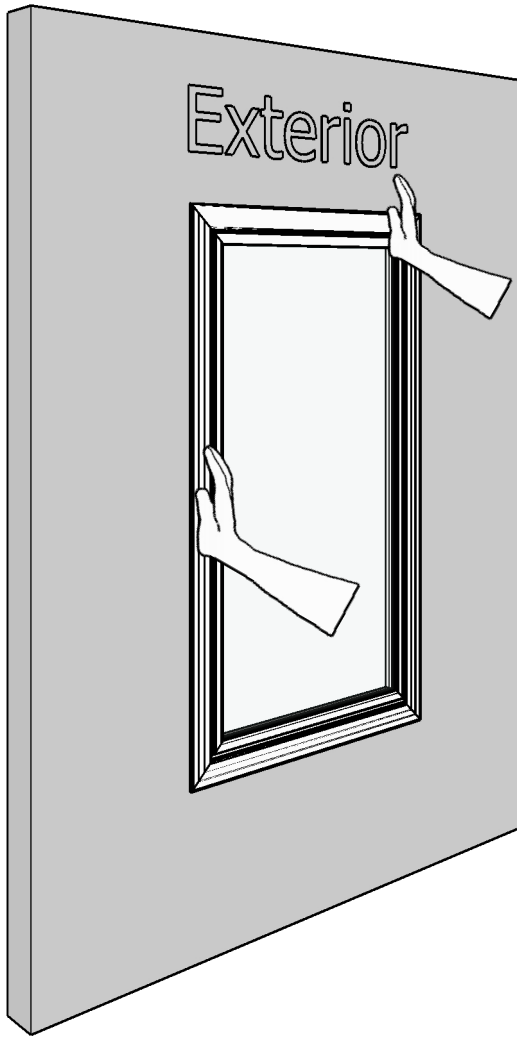
Exterior



III

Plan:

Positions: A51-1V-7016 / A51-1P-7016



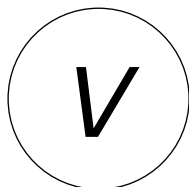
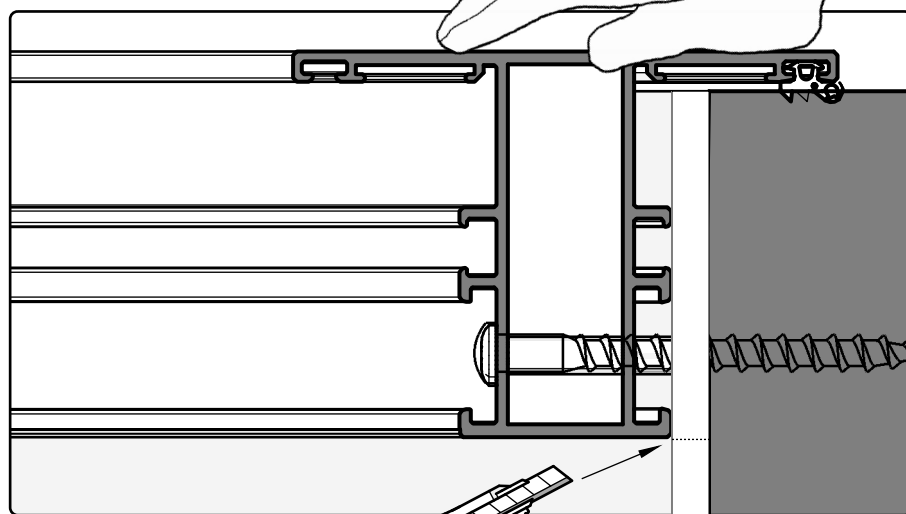
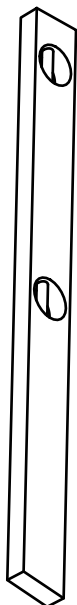
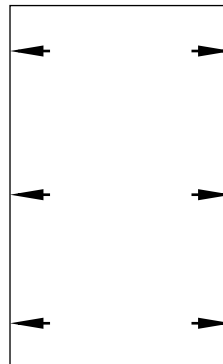
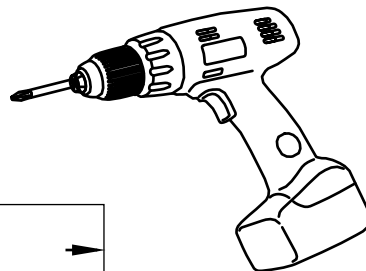
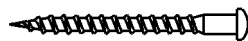
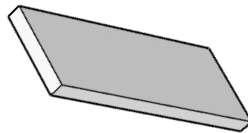
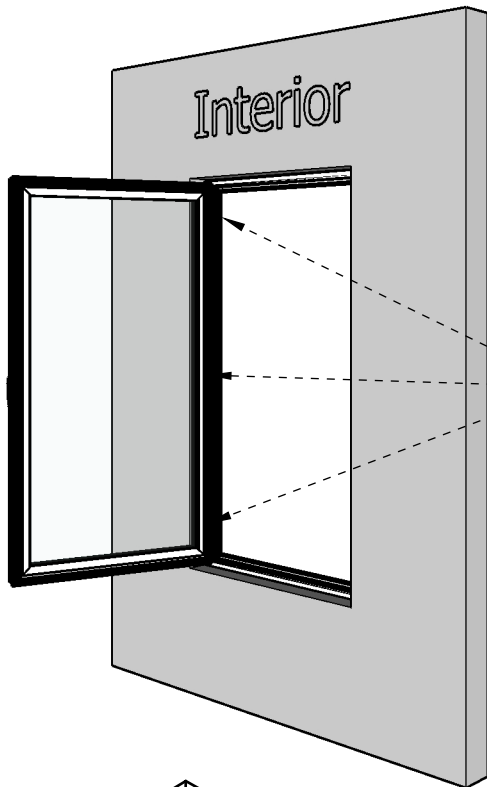
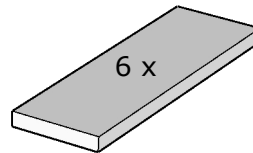
IV

Plan:

Positions: A51-1V-7016 / A51-1P-7016

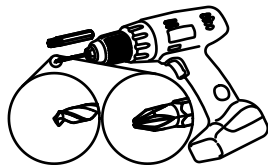
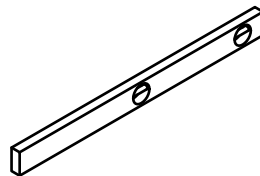
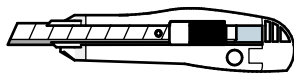
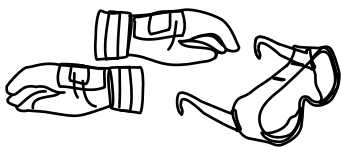
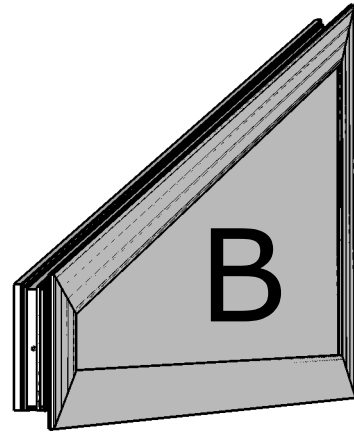
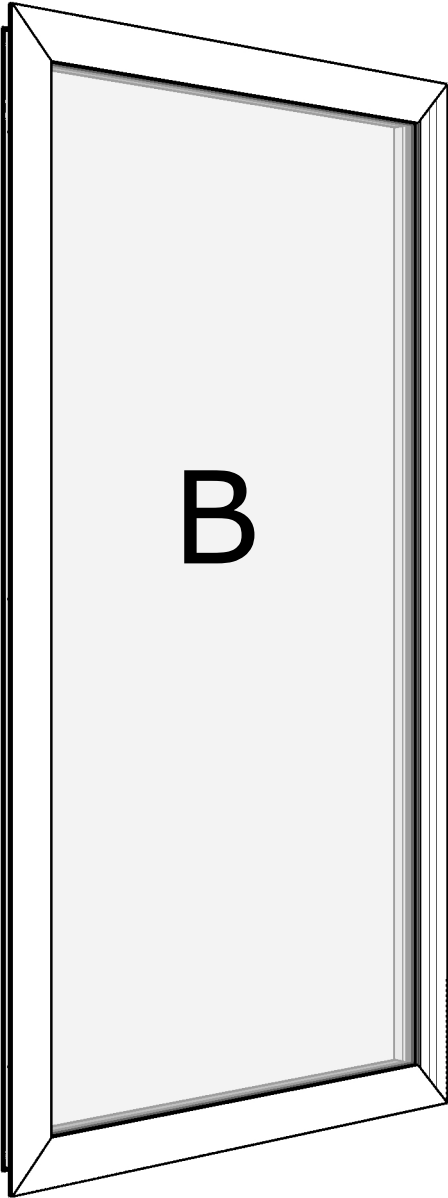


6 x (QKRYP5x40ZnTX)



Plan:

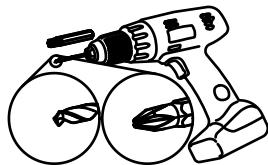
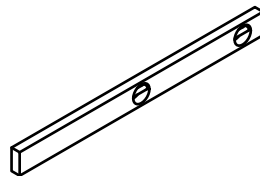
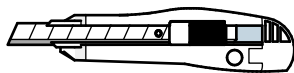
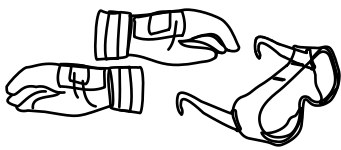
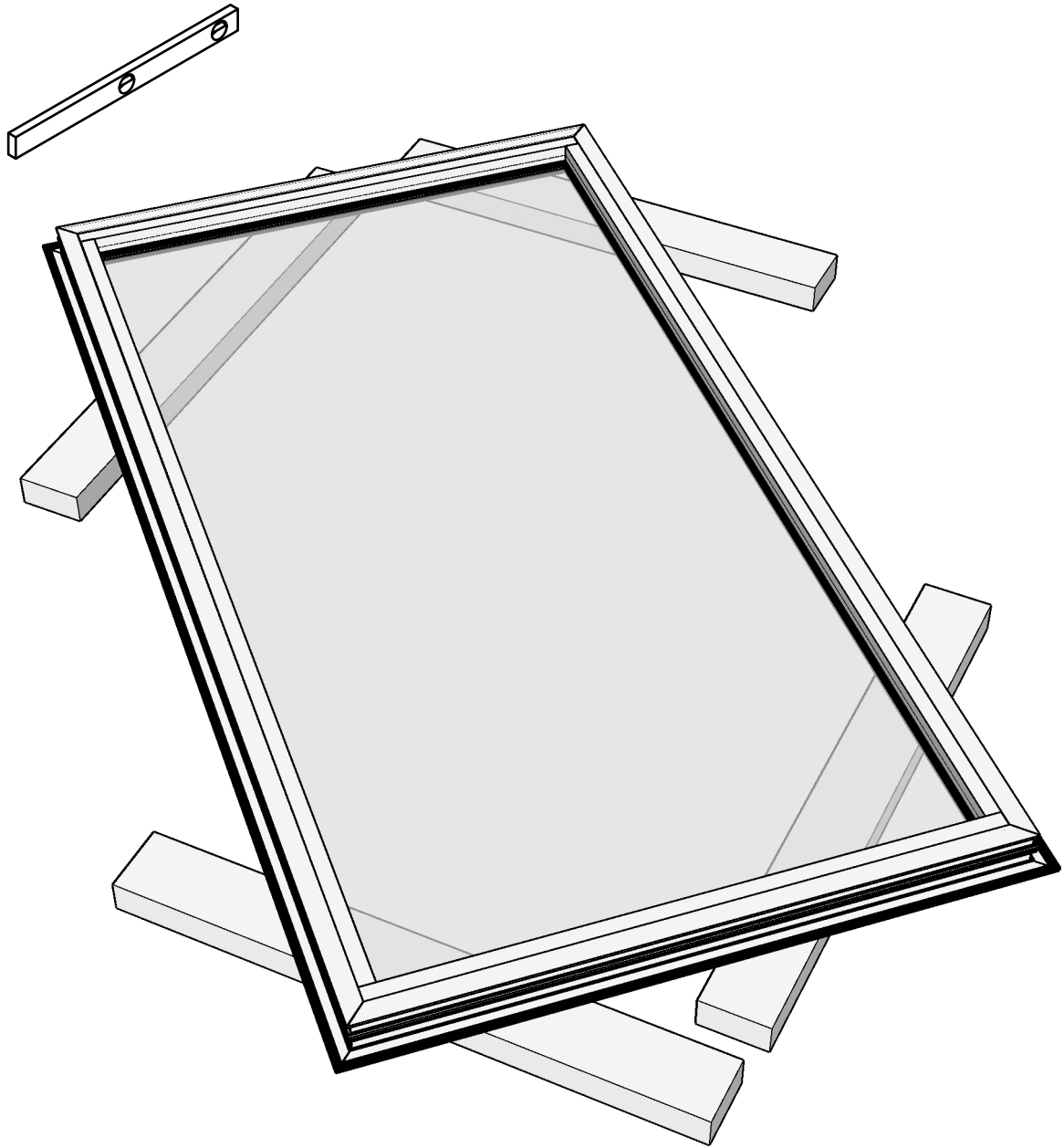
Positions: A51-3-7016 / A51-5-7016 / A51-6-7016



I

Plan:

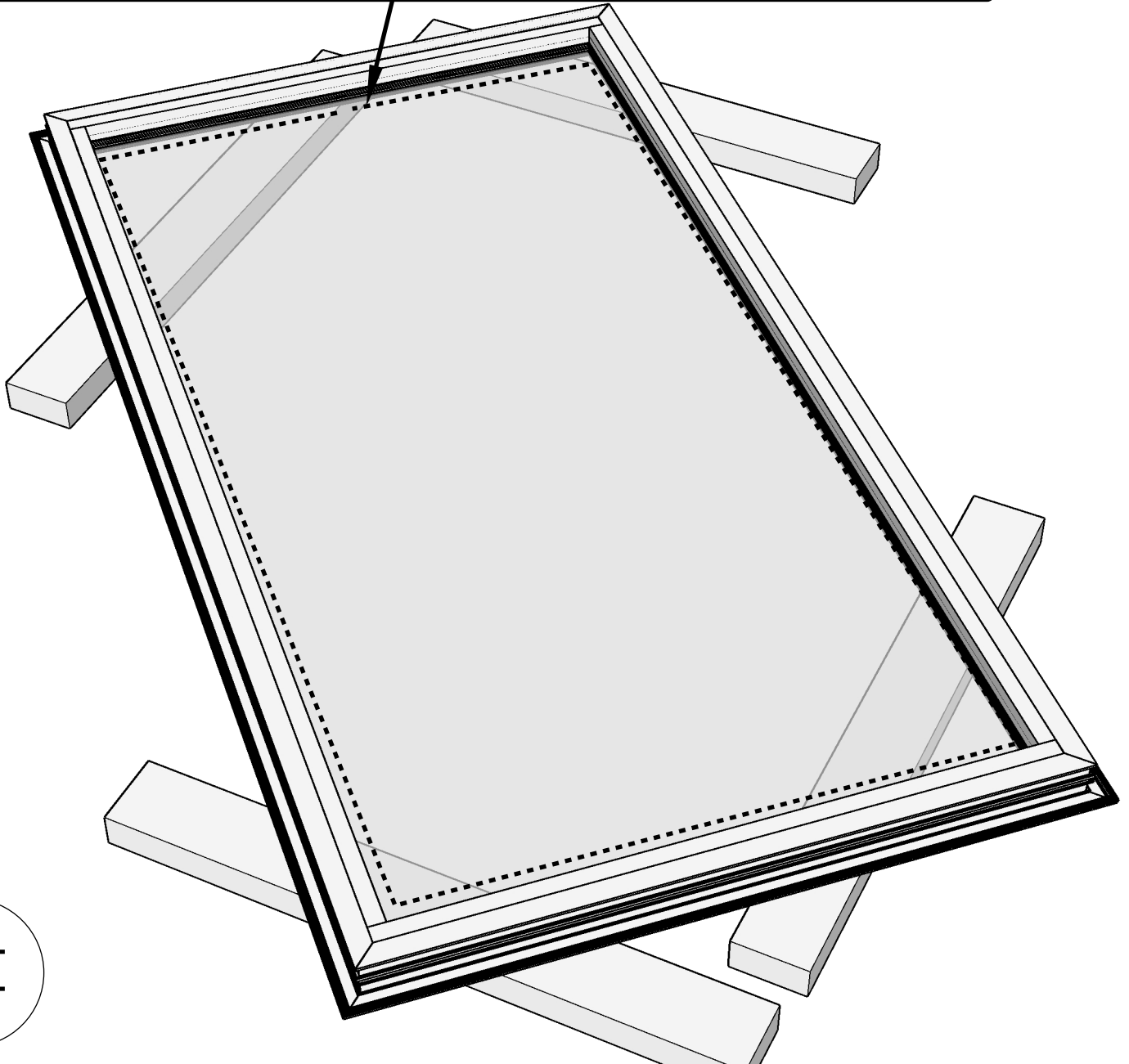
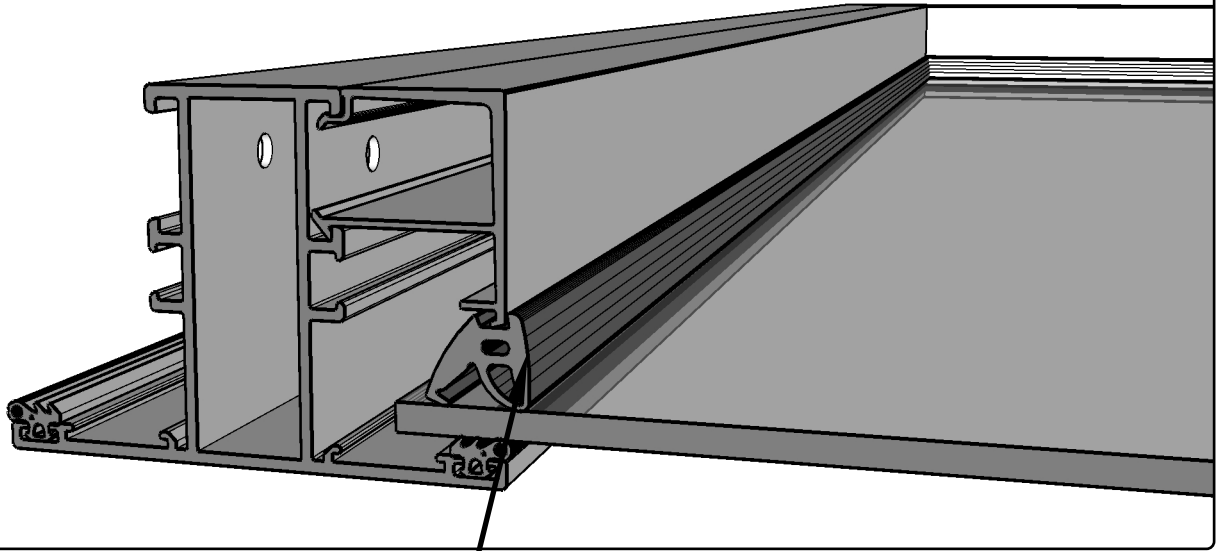
Positions: A51-3-7016 / A51-5-7016 / A51-6-7016



II

Plan:

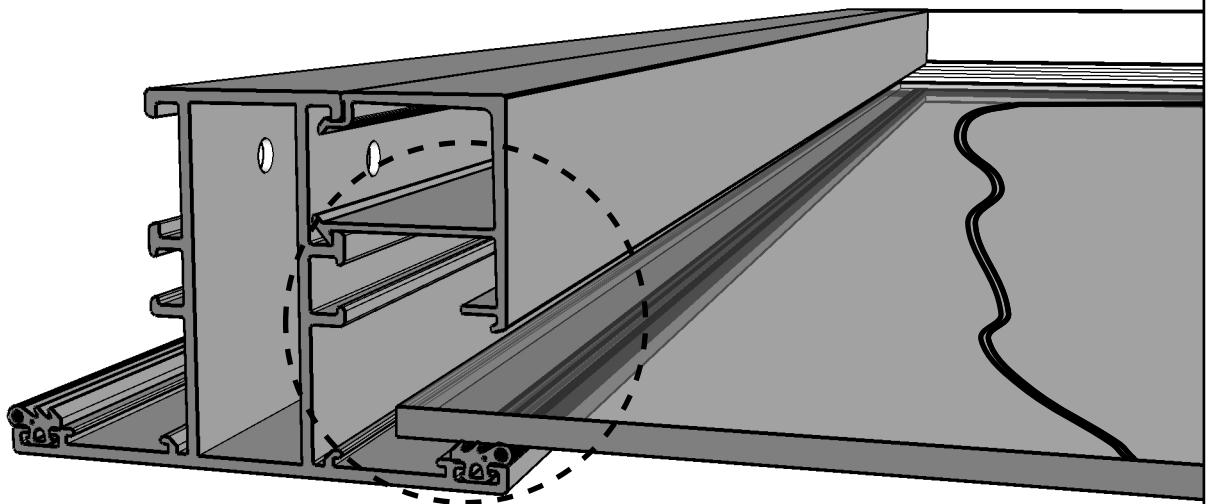
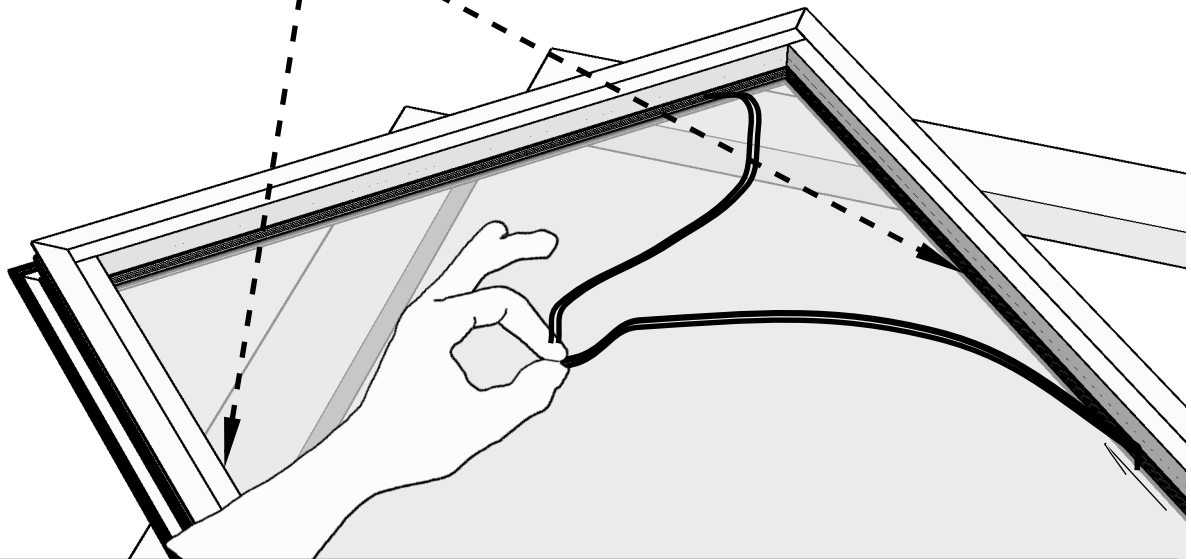
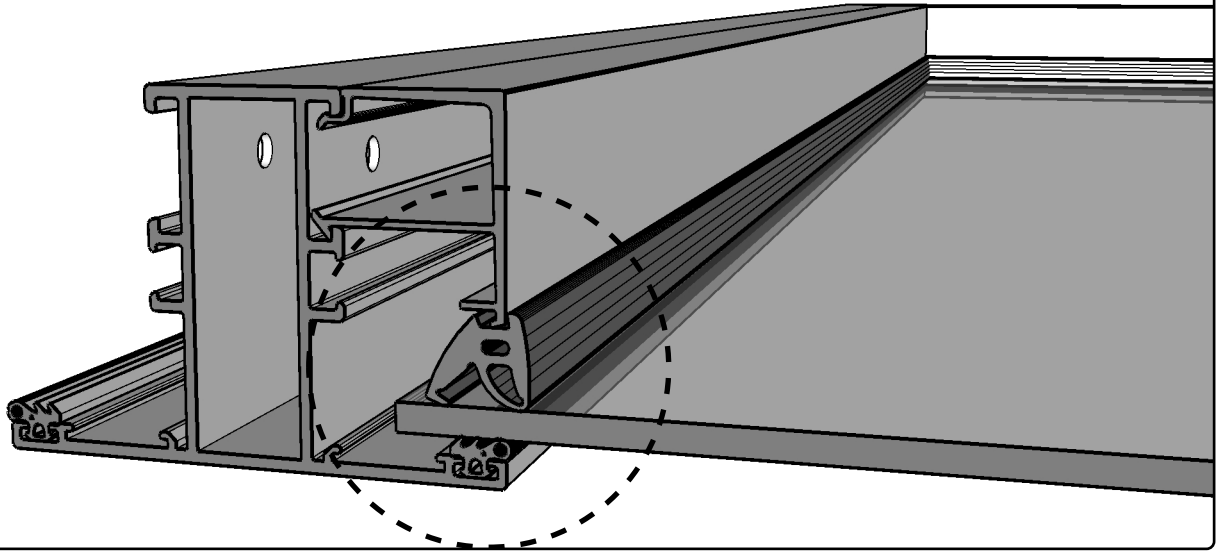
Positions: A51-3-7016 / A51-5-7016 / A51-6-7016



III

Plan:

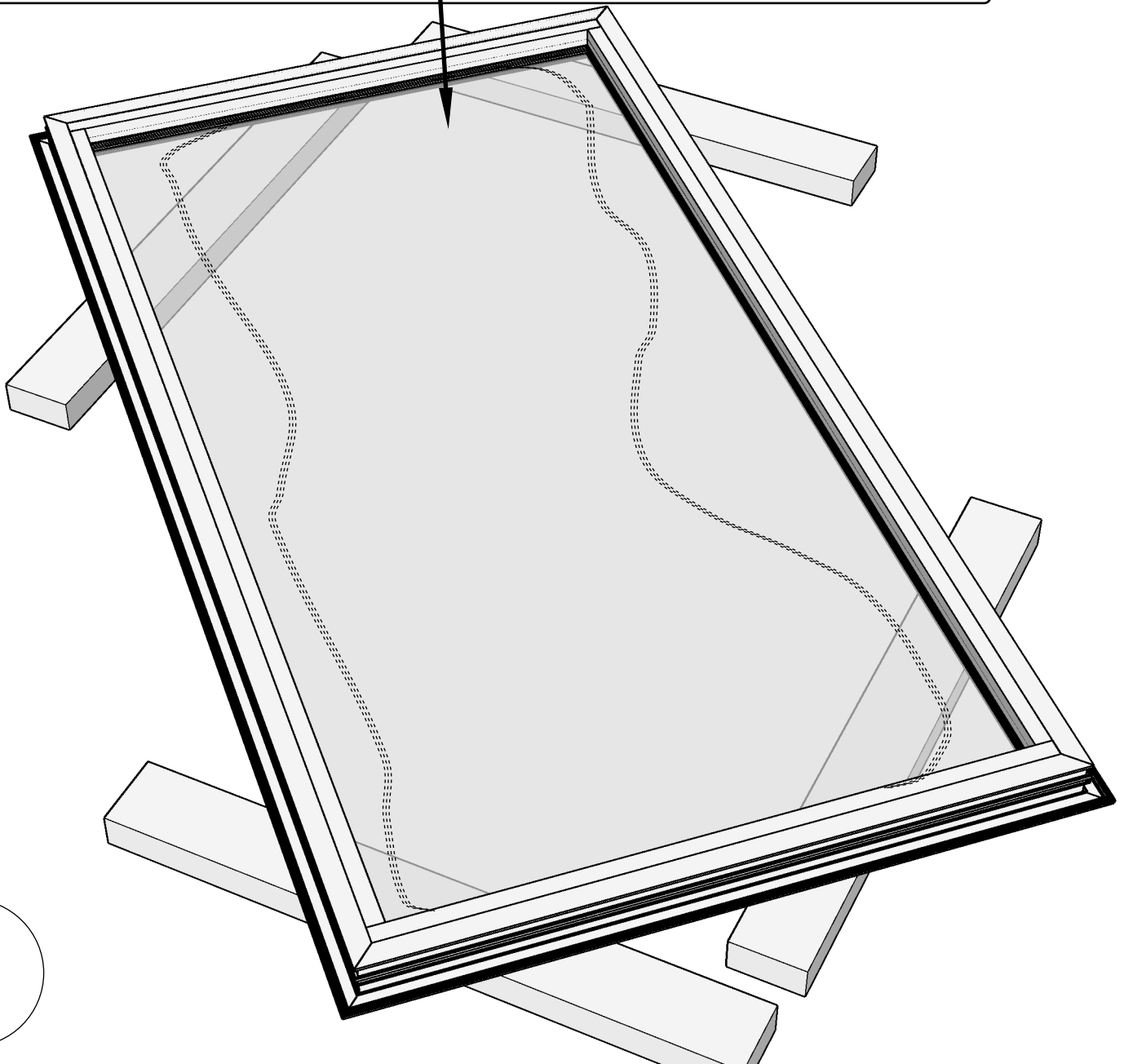
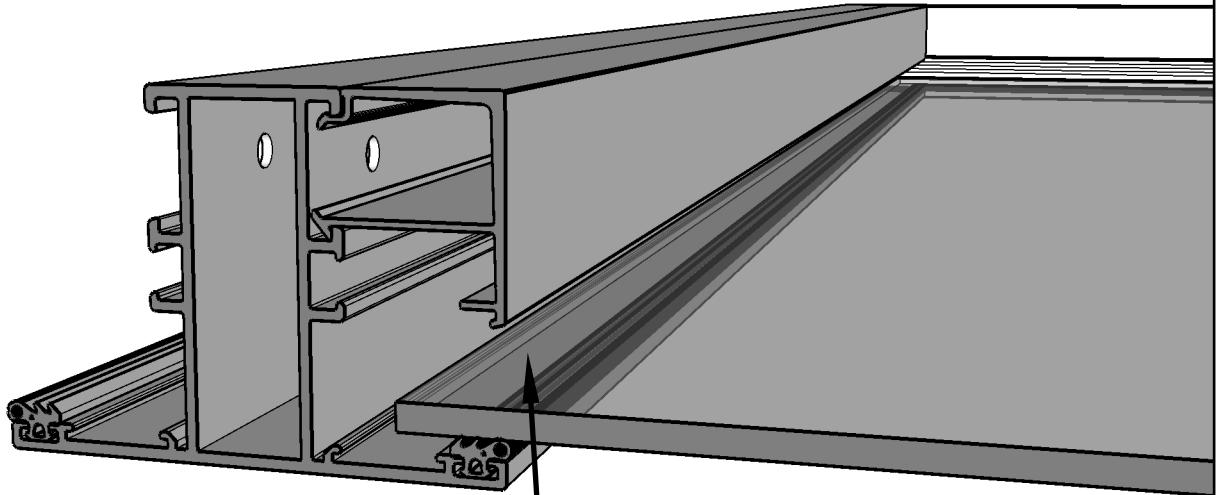
Positions: A51-3-7016 / A51-5-7016 / A51-6-7016



IV

Plan:

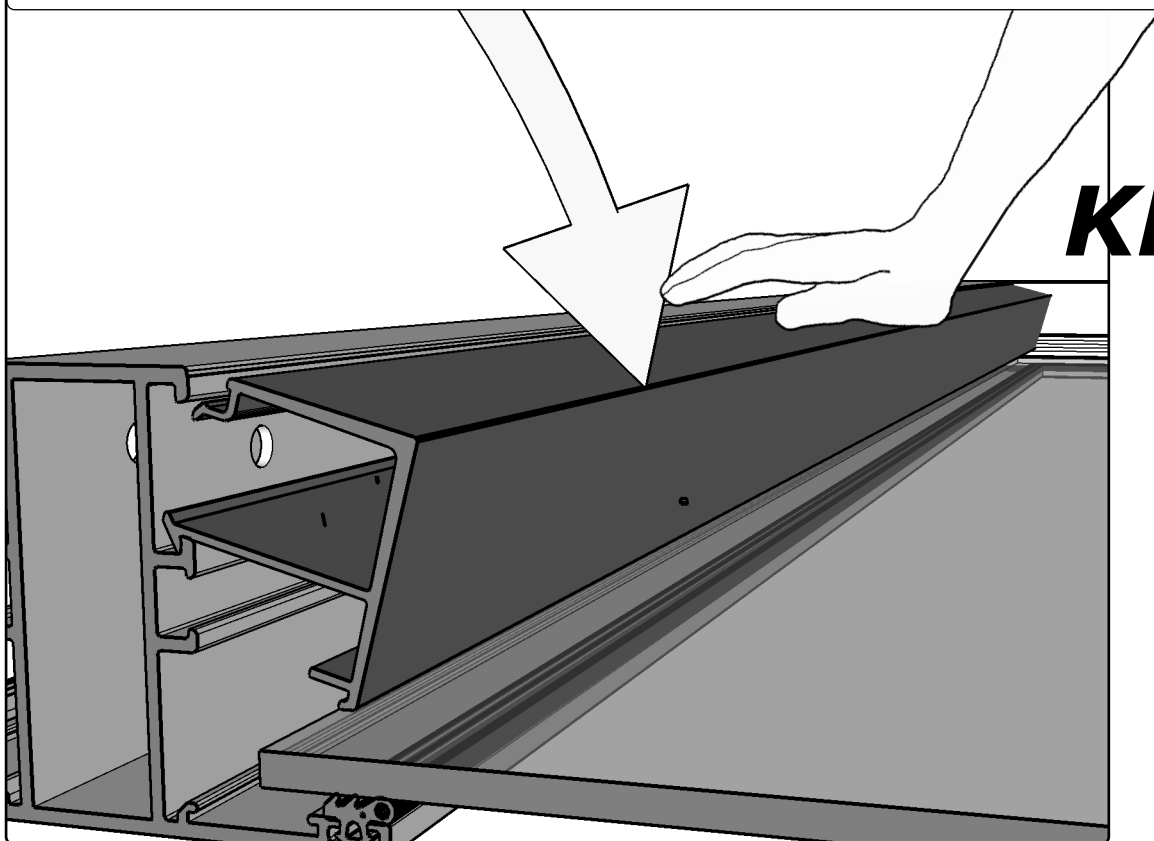
Positions: A51-3-7016 / A51-5-7016 / A51-6-7016



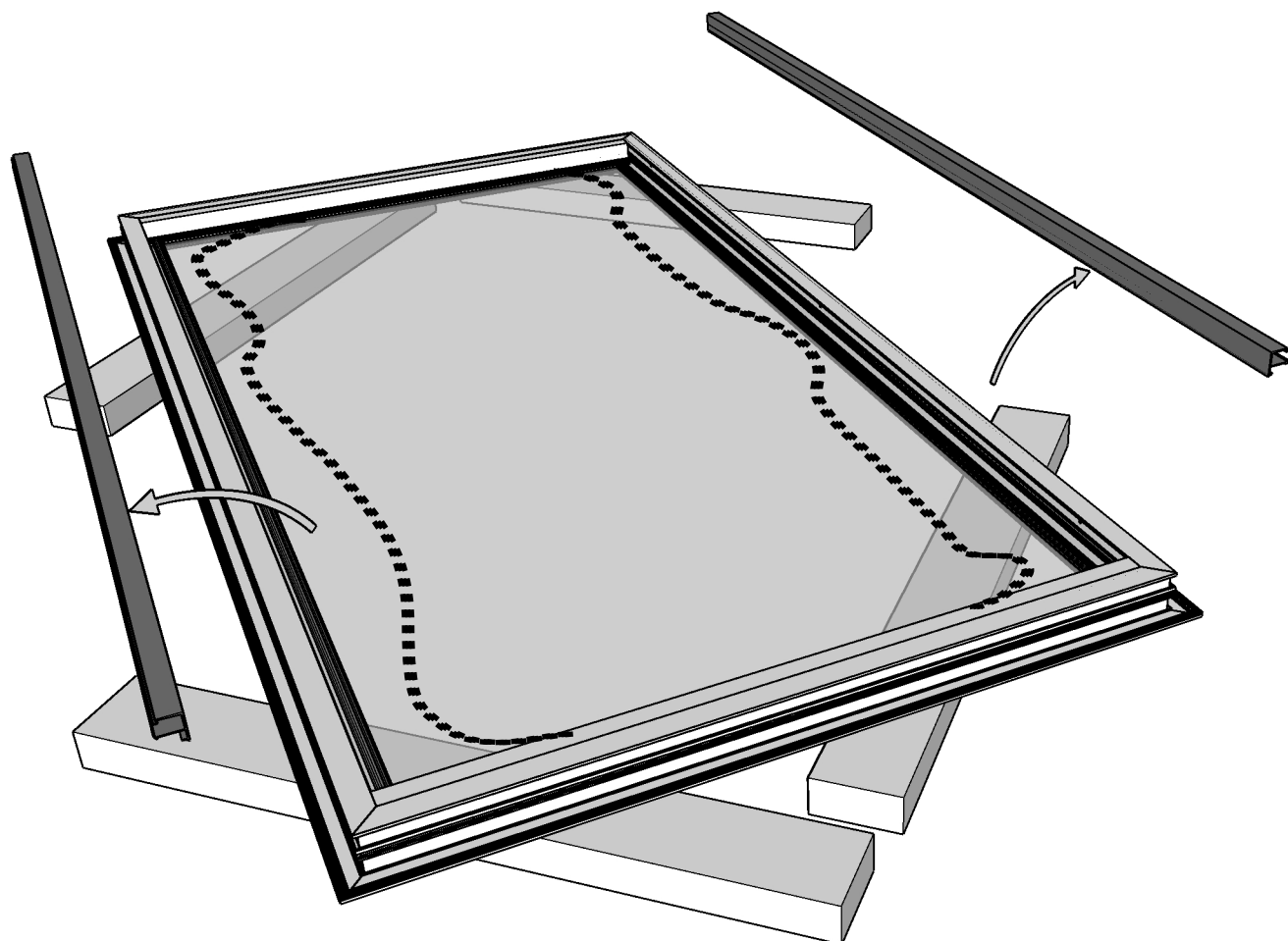
V

Plan:

Positions: A51-3-7016 / A51-5-7016 / A51-6-7016



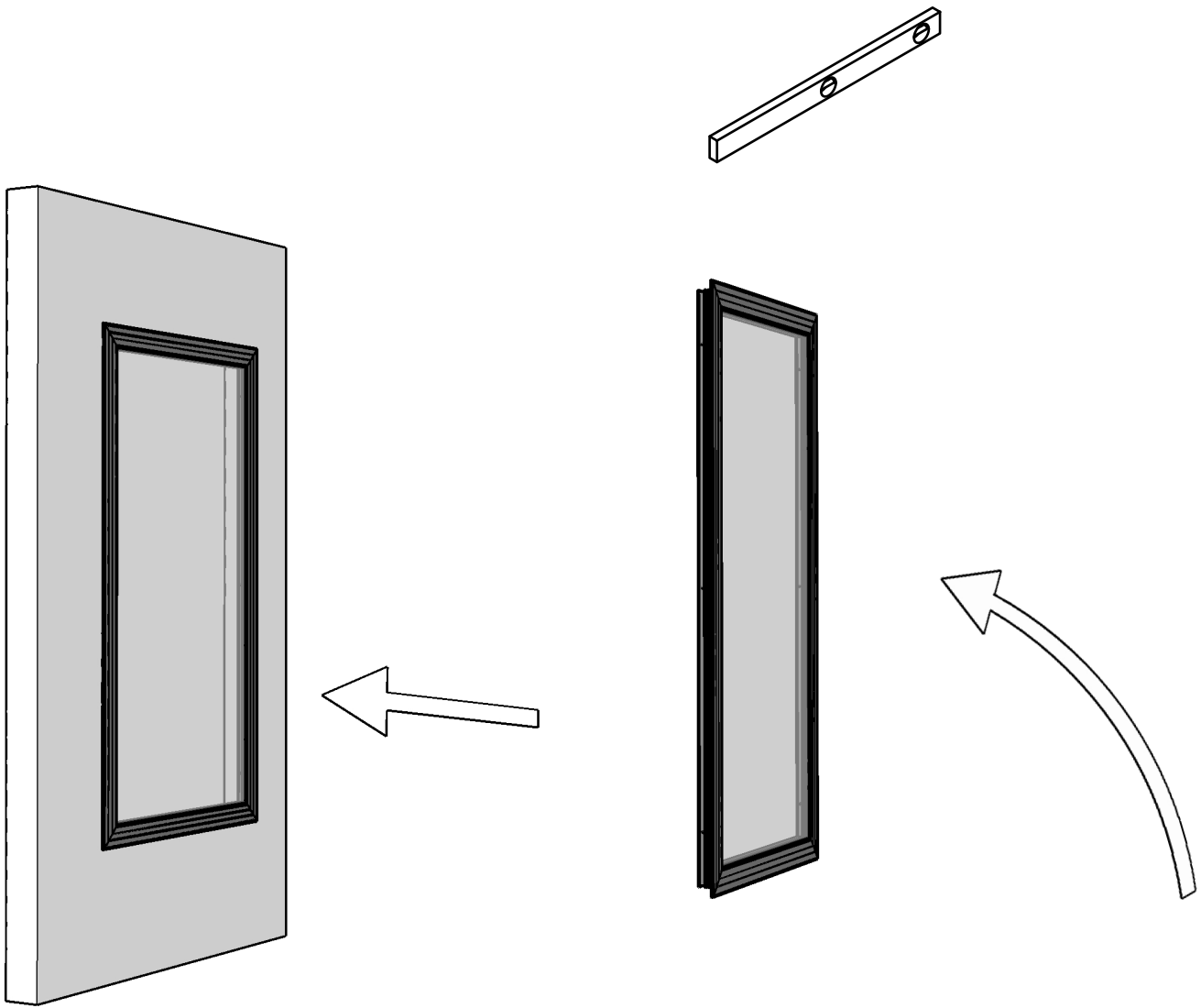
Klak!



VI

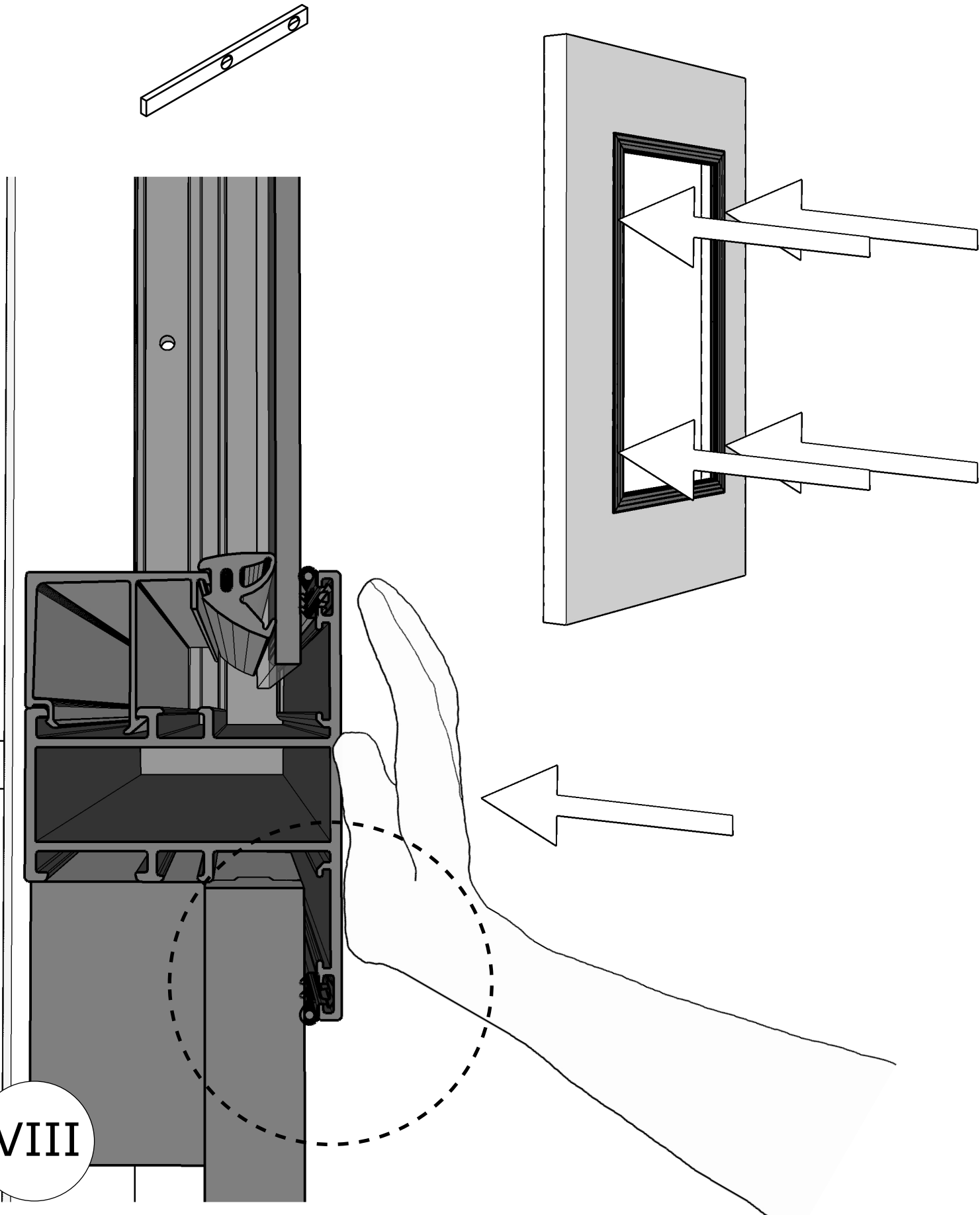
Plan:

Positions: A51-3-7016 / A51-5-7016 / A51-6-7016



Plan:

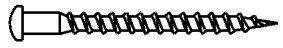
Positions: A51-3-7016 / A51-5-7016 / A51-6-7016



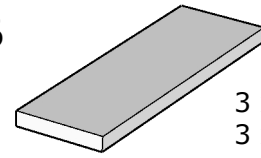
VIII

Plan:

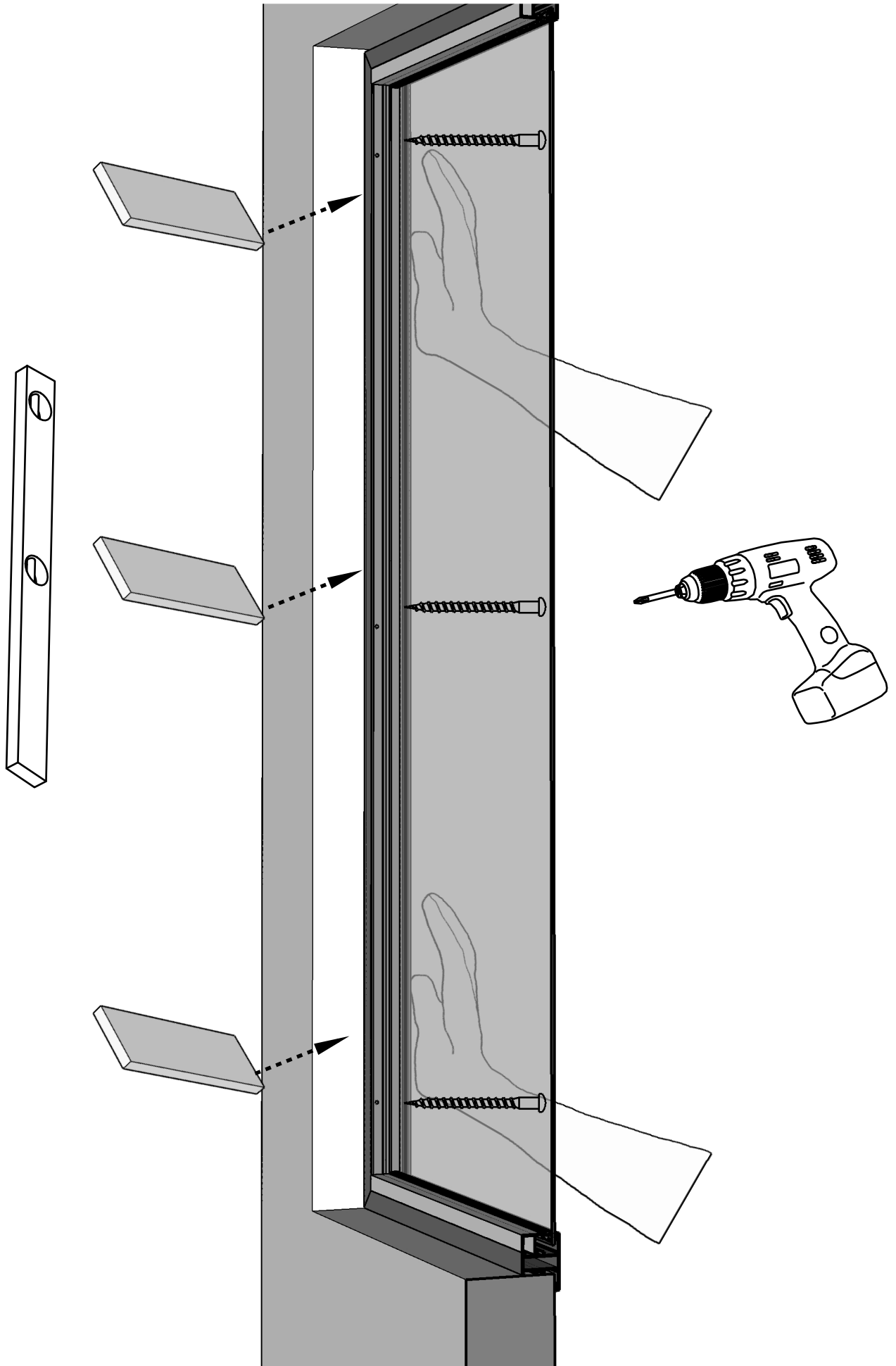
Positions: A51-3-7016 / A51-5-7016 / A51-6-7016



6 x (QKRYP5x60ZnTX)

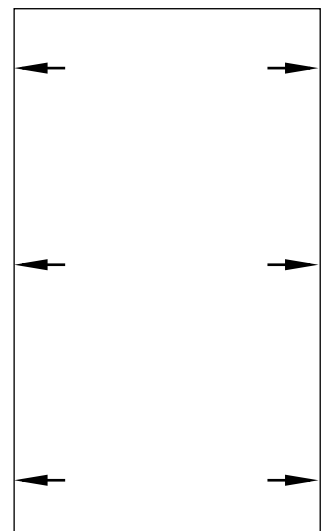
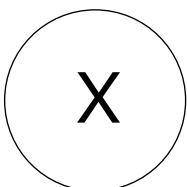
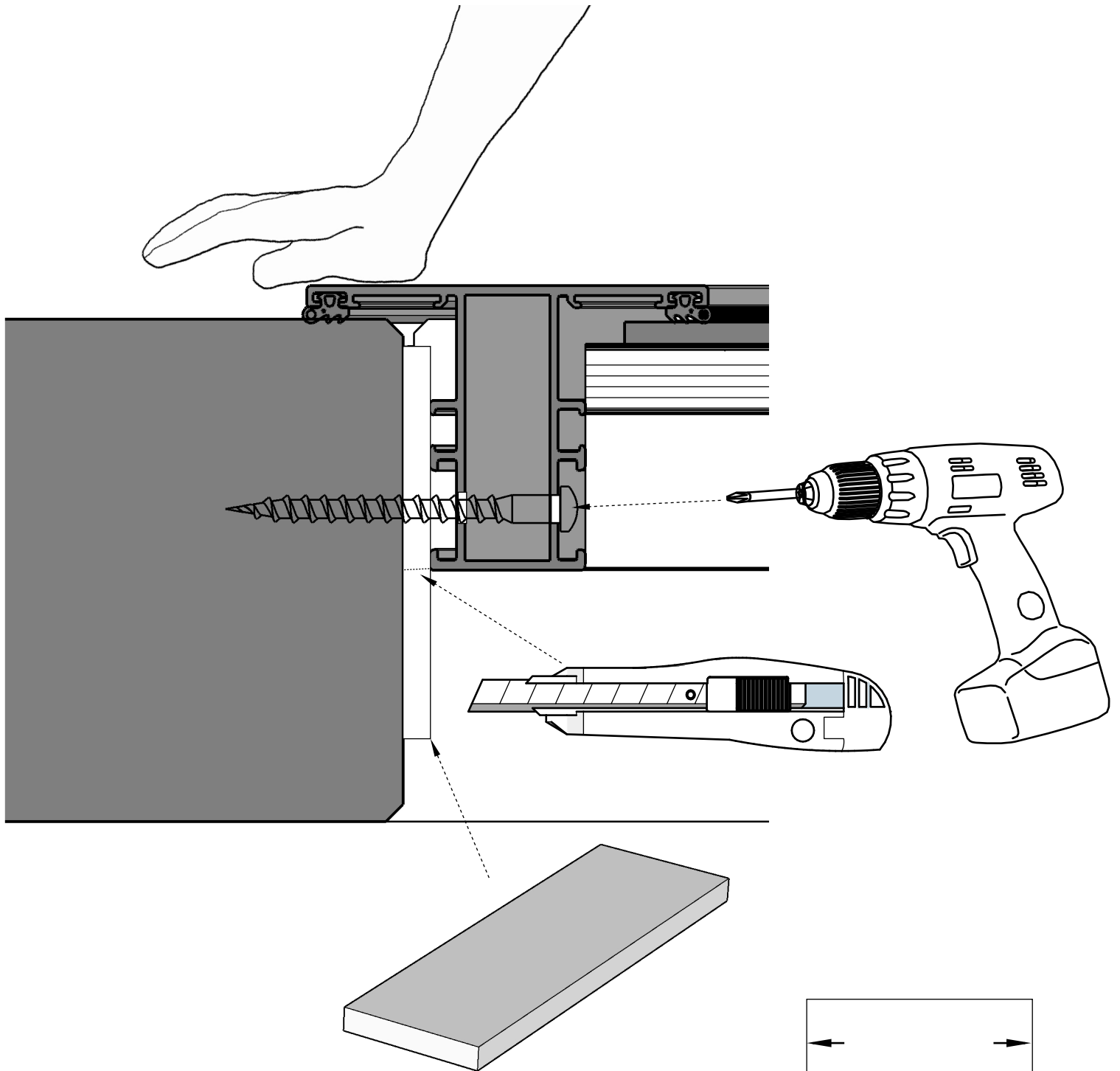


3 x (QPL20x100x2)
3 x (QPL20x100x3)



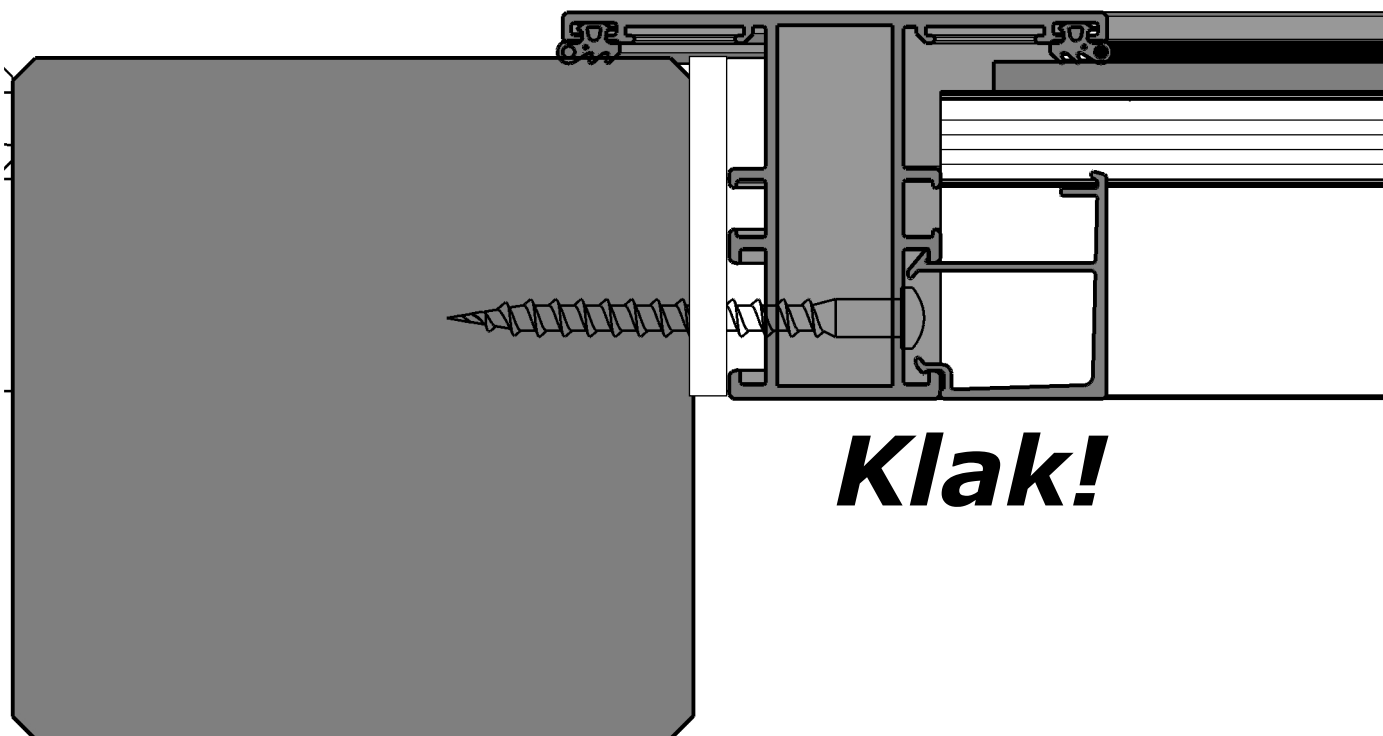
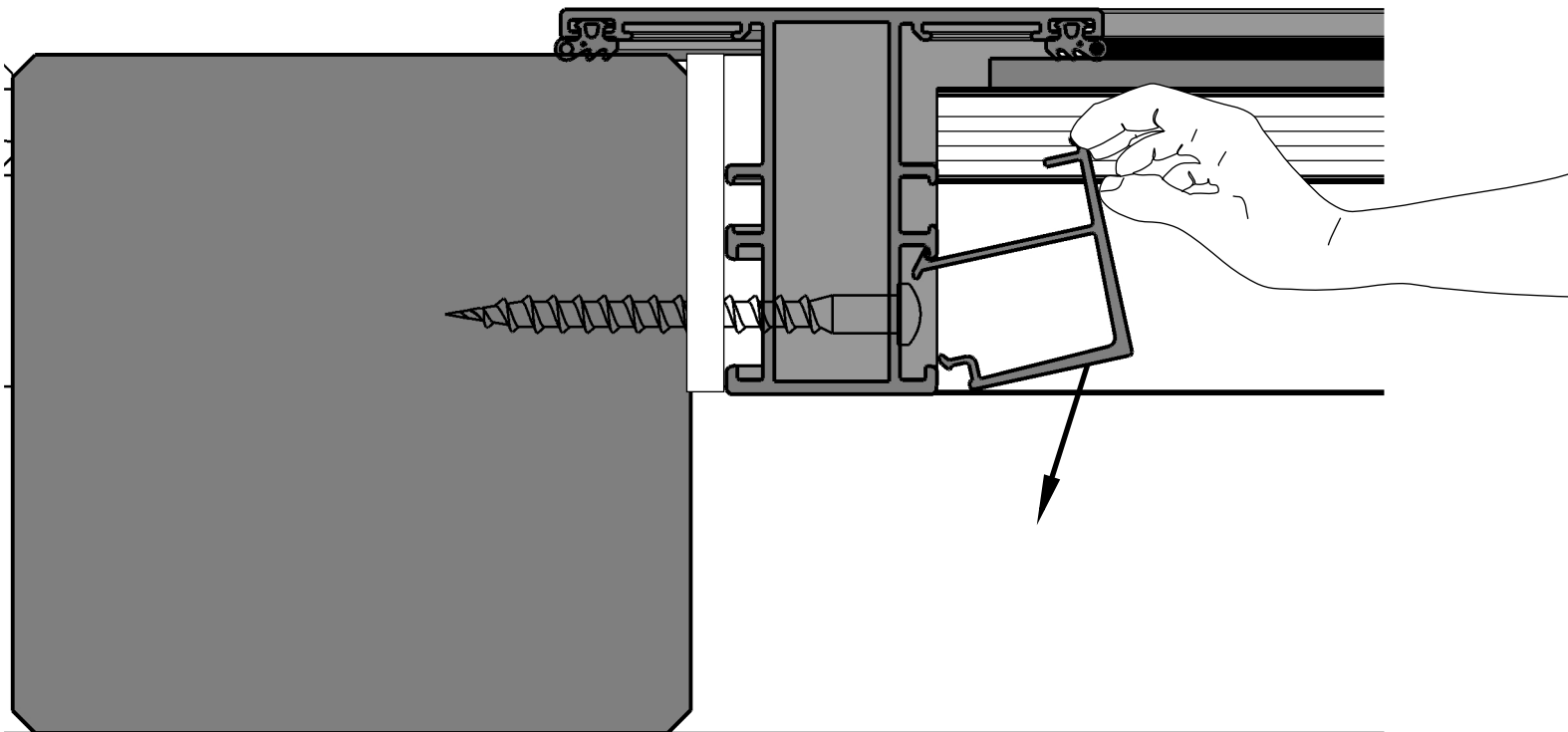
Plan:

Positions: A51-3-7016 / A51-5-7016 / A51-6-7016



Plan:

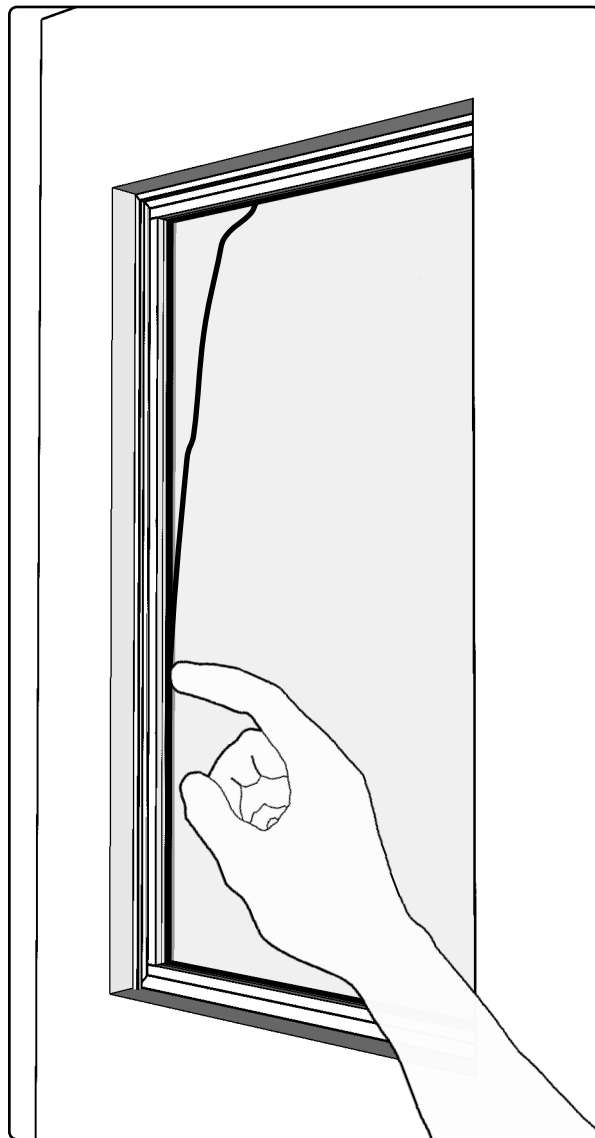
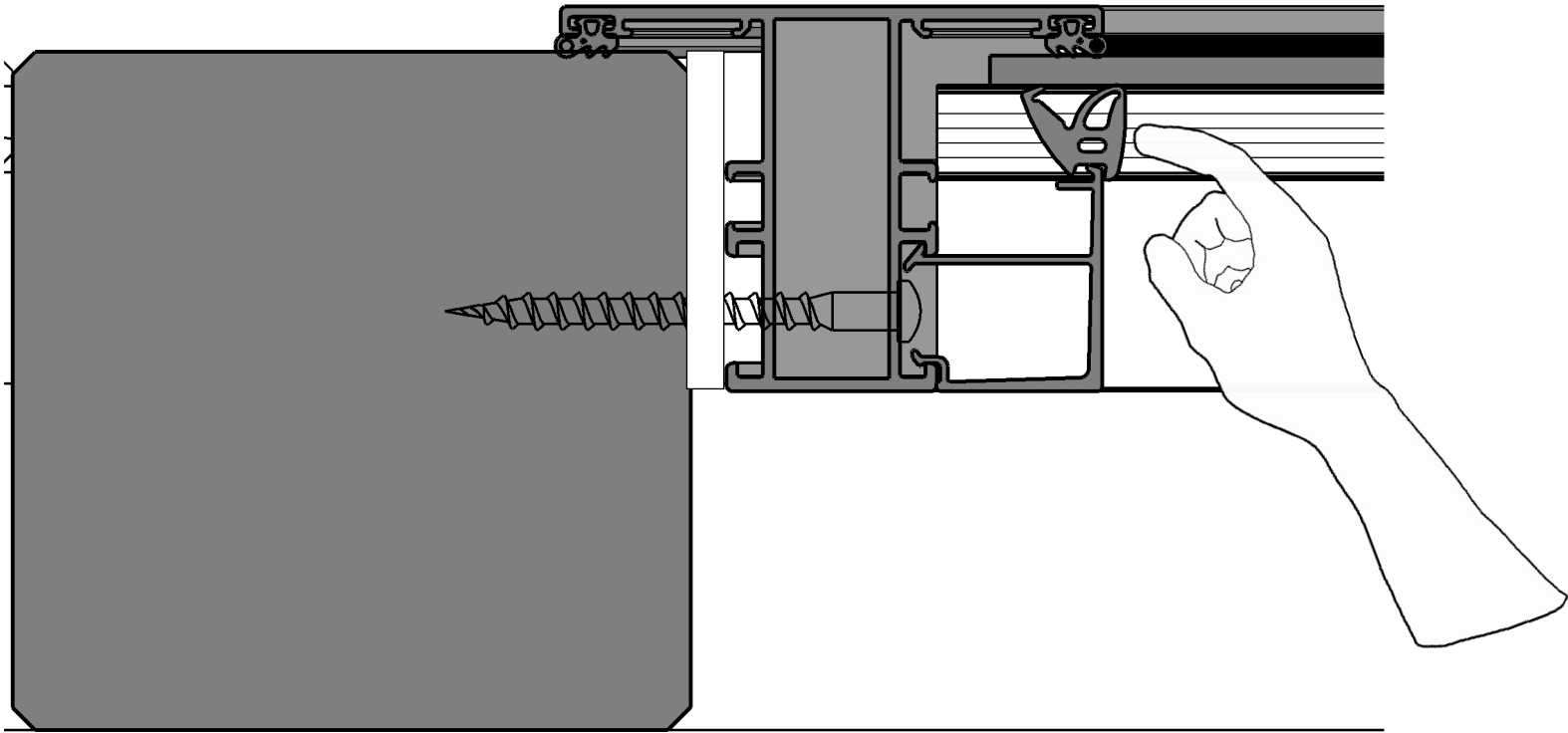
Positions: A51-3-7016 / A51-5-7016 / A51-6-7016



XI

Plan:

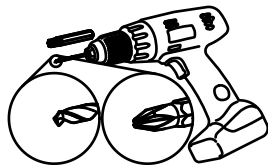
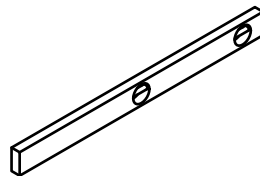
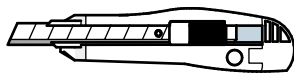
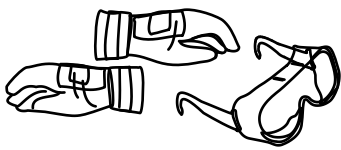
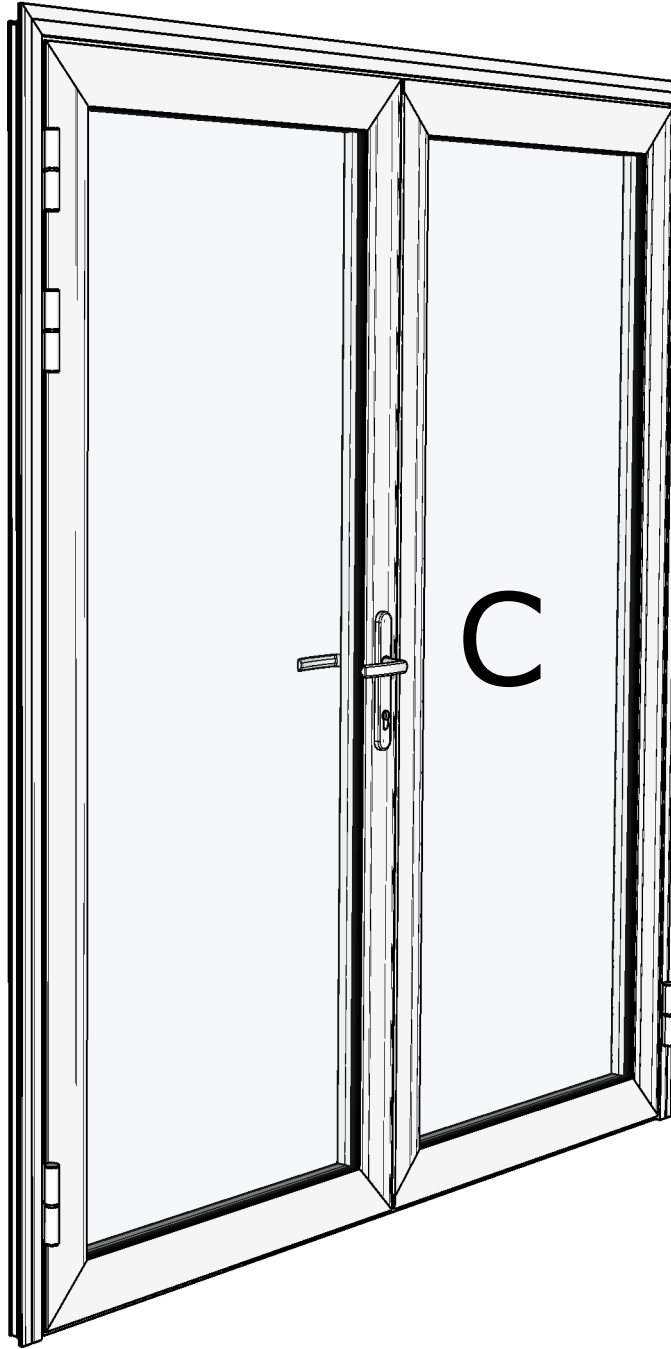
Positions: A51-3-7016 / A51-5-7016 / A51-6-7016



XII

Plan:

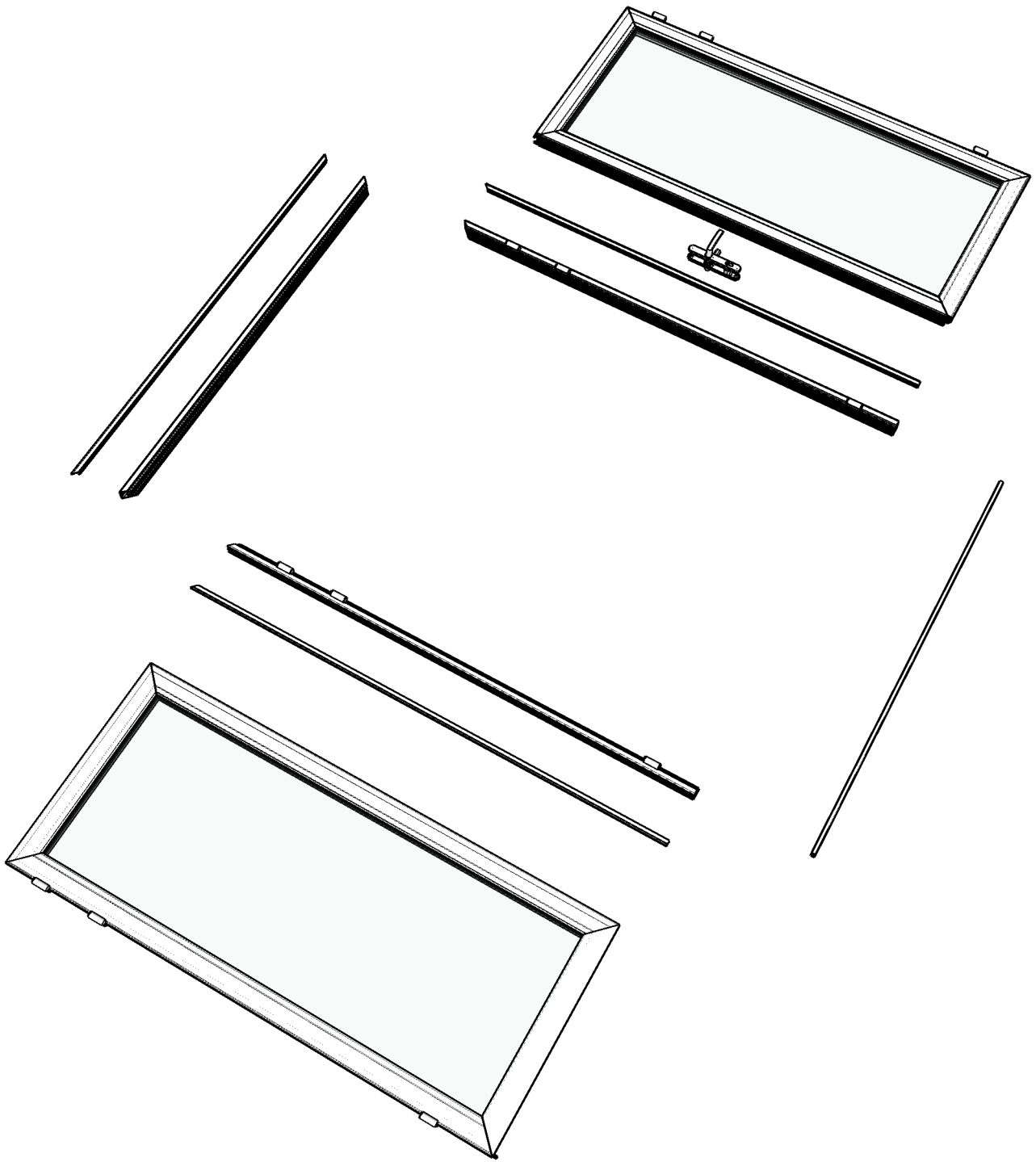
Positions: TU51-2P-7016



I

Plan:

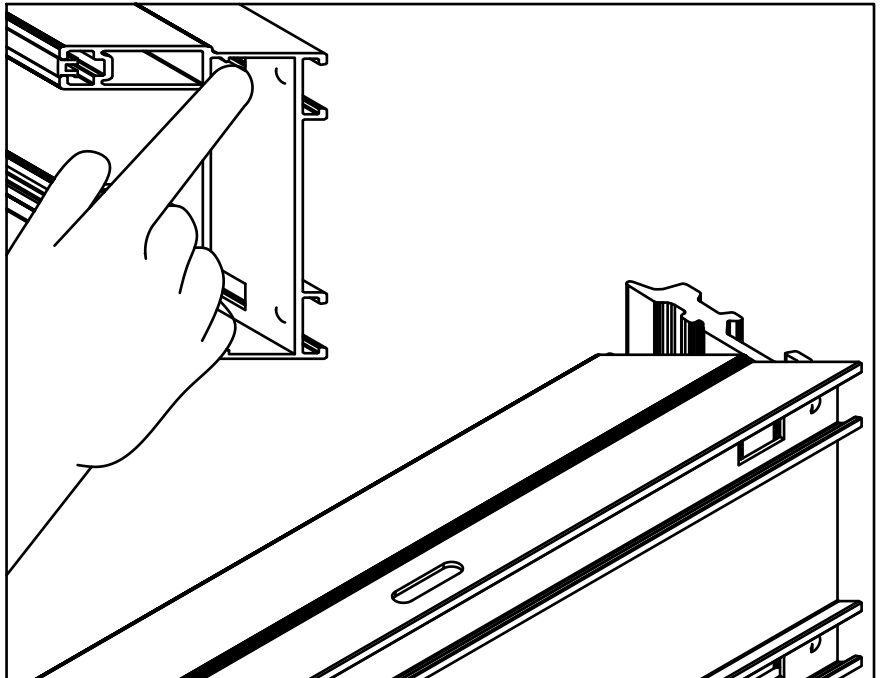
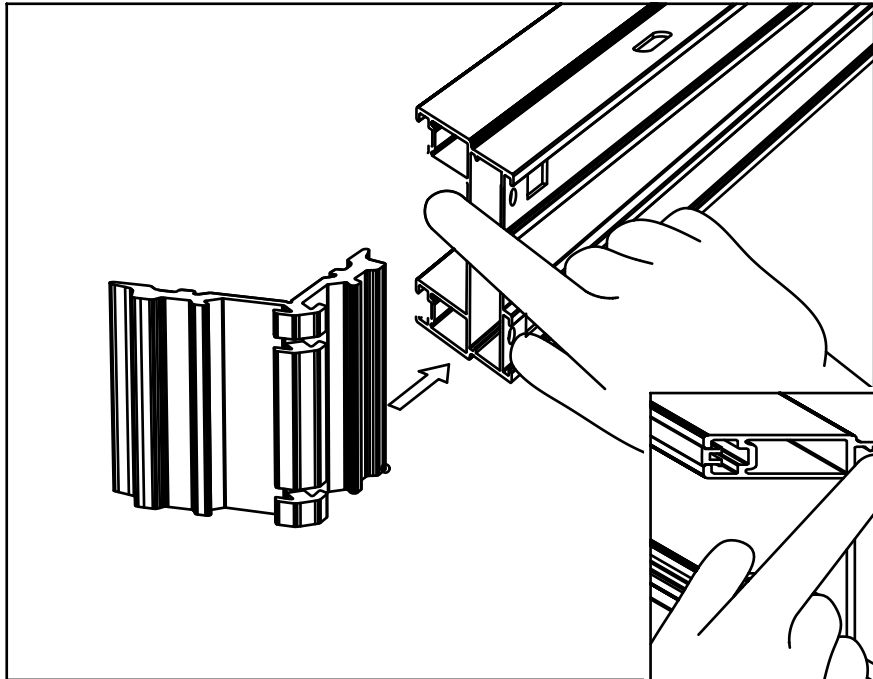
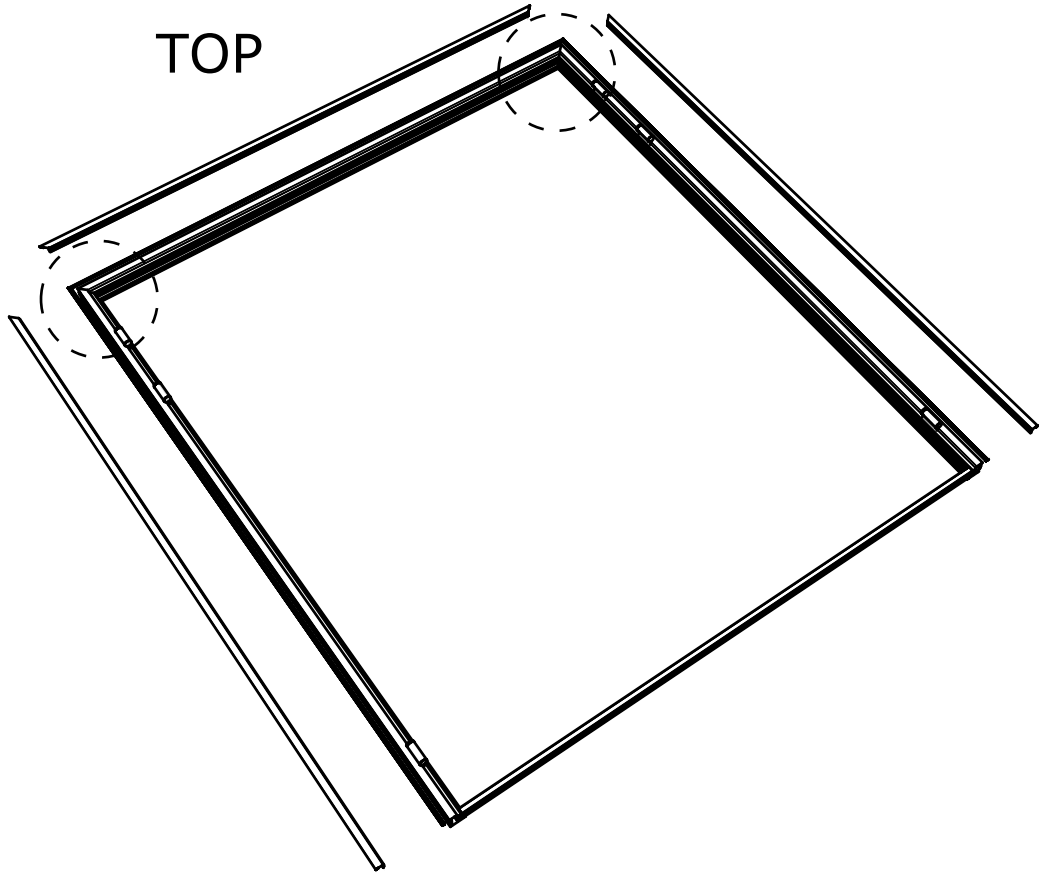
Positions: TU51-2P-7016



Plan:

Positions: TU51-2P-7016

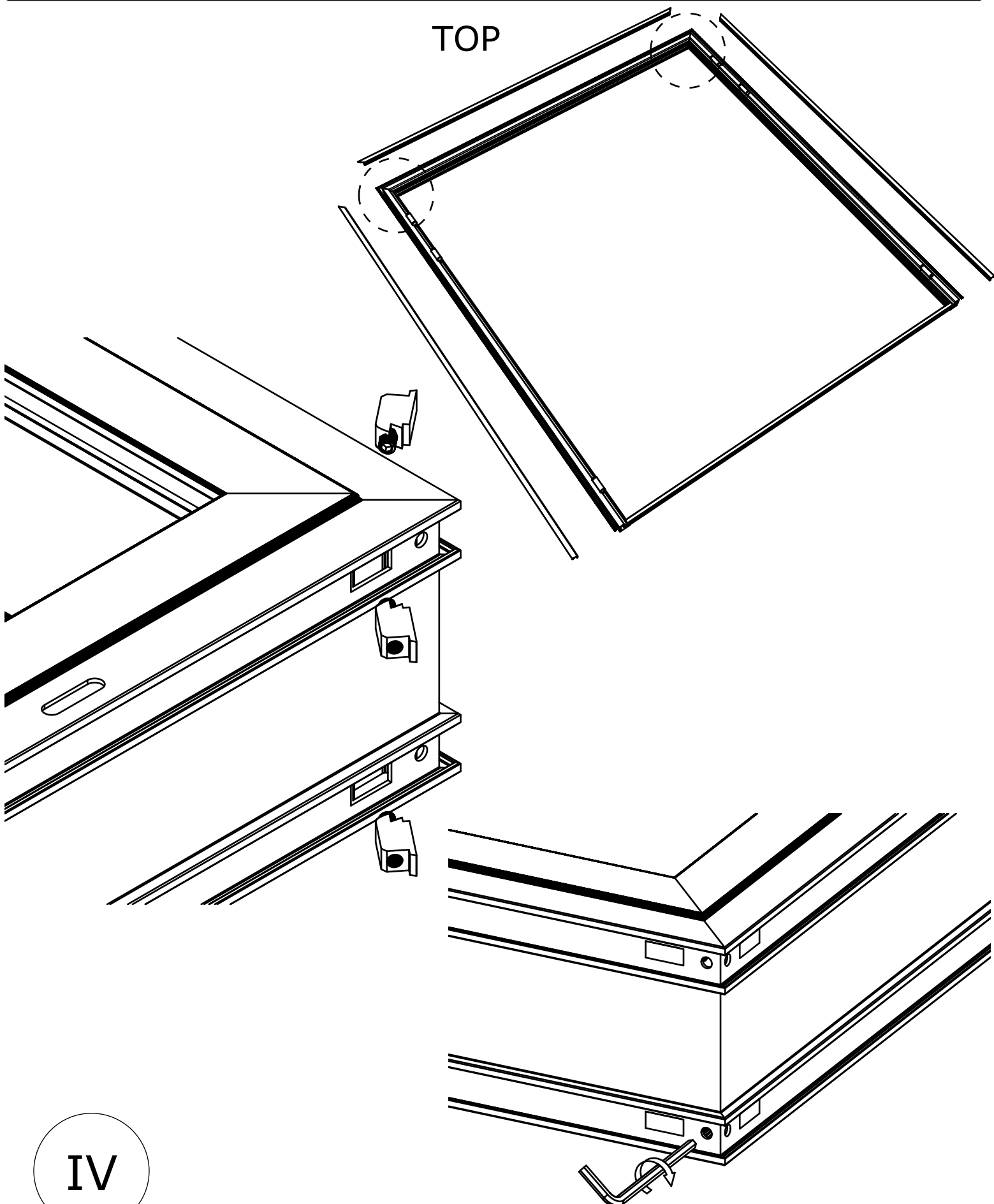
TOP



III

Plan:
Positions: TU51-2P-7016

TOP

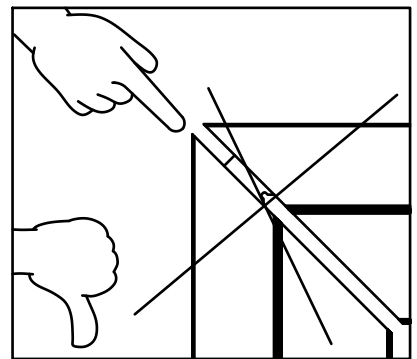
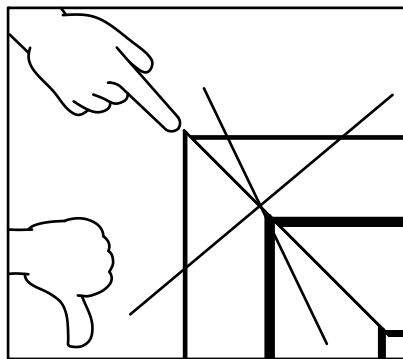
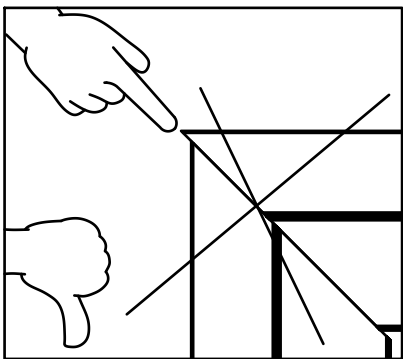
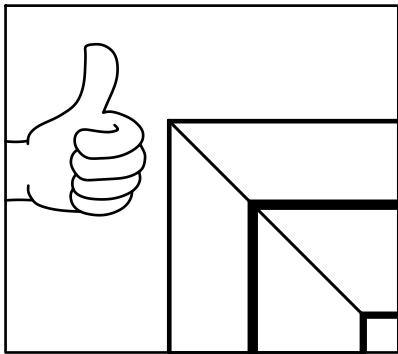
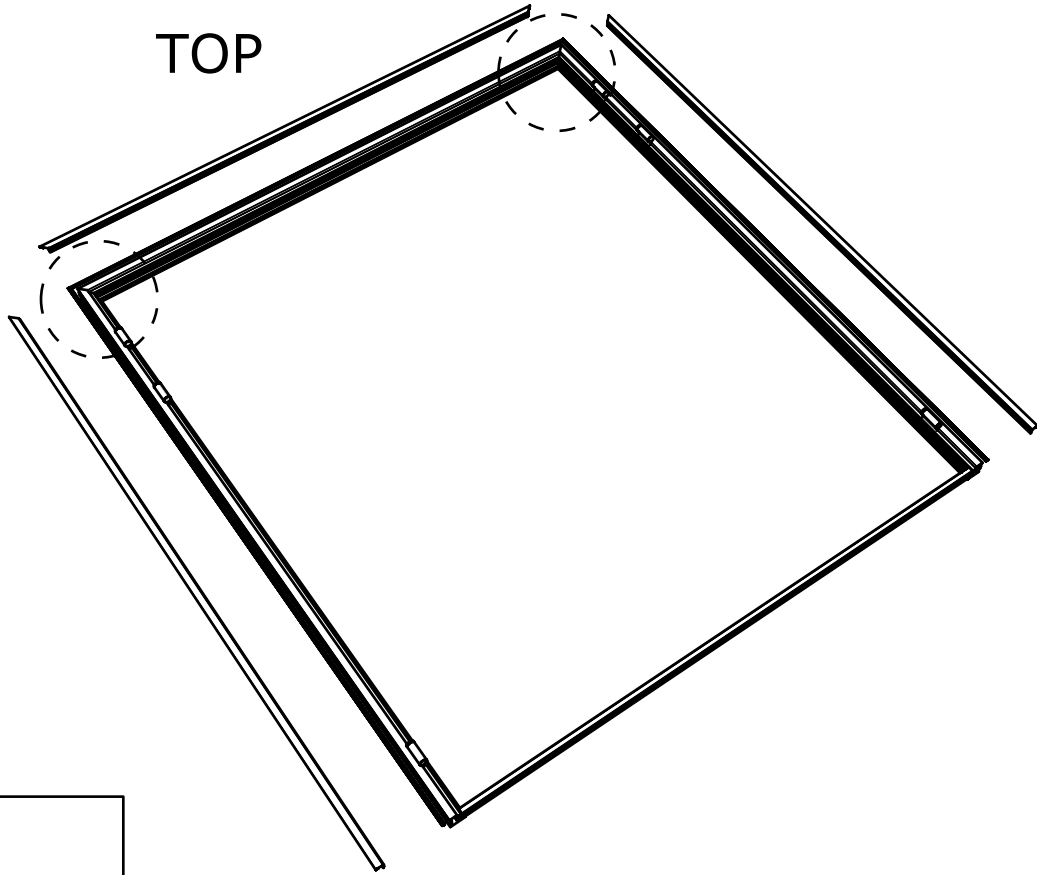


IV

Plan:

Positions: TU51-2P-7016

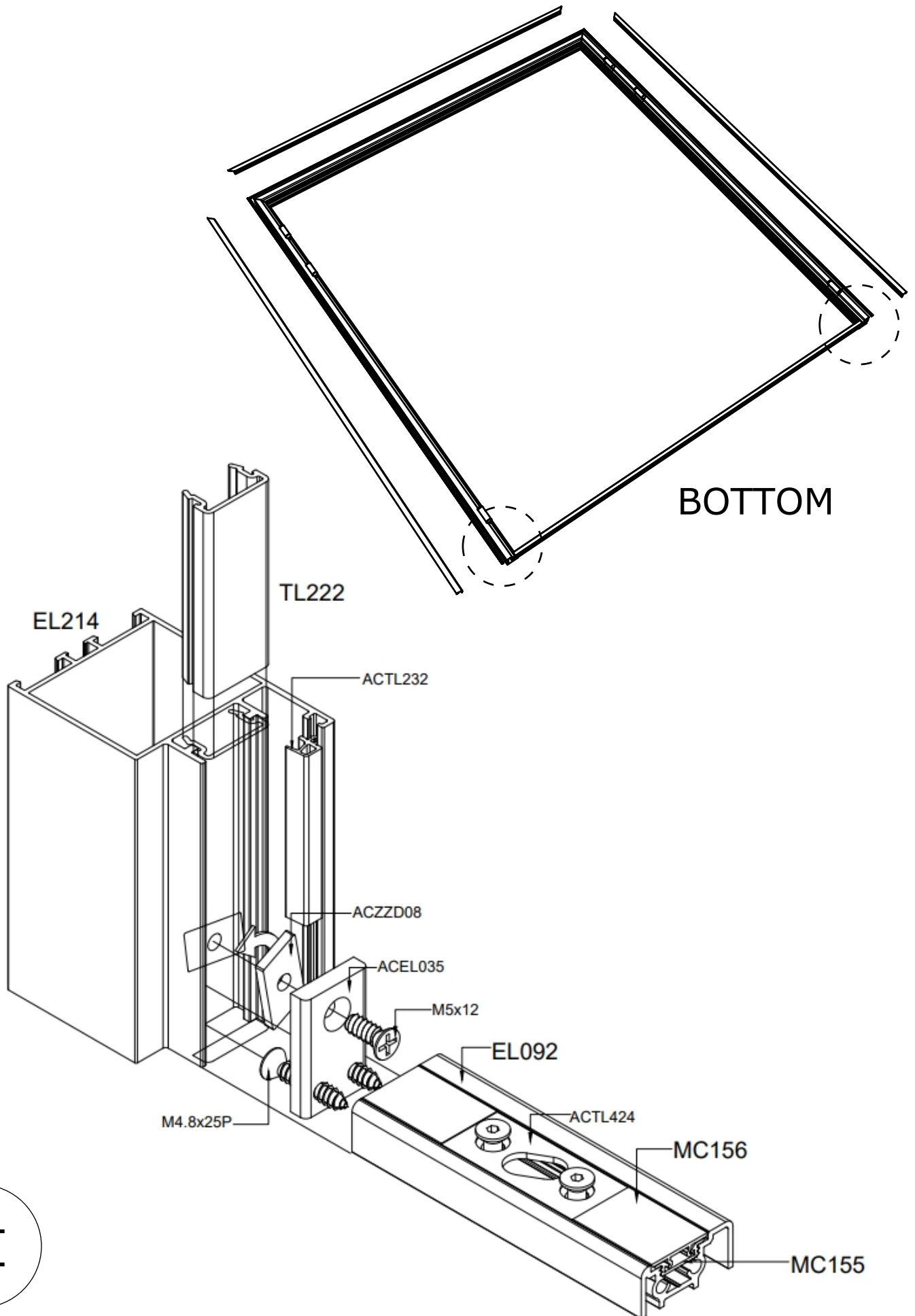
TOP



V

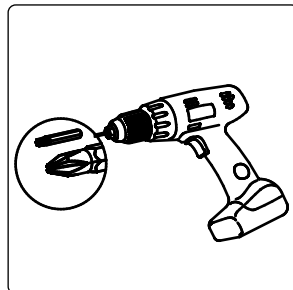
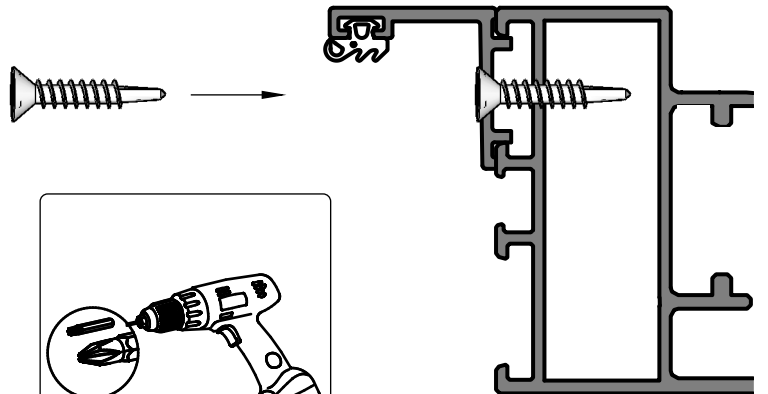
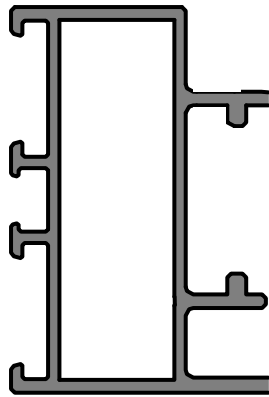
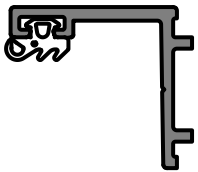
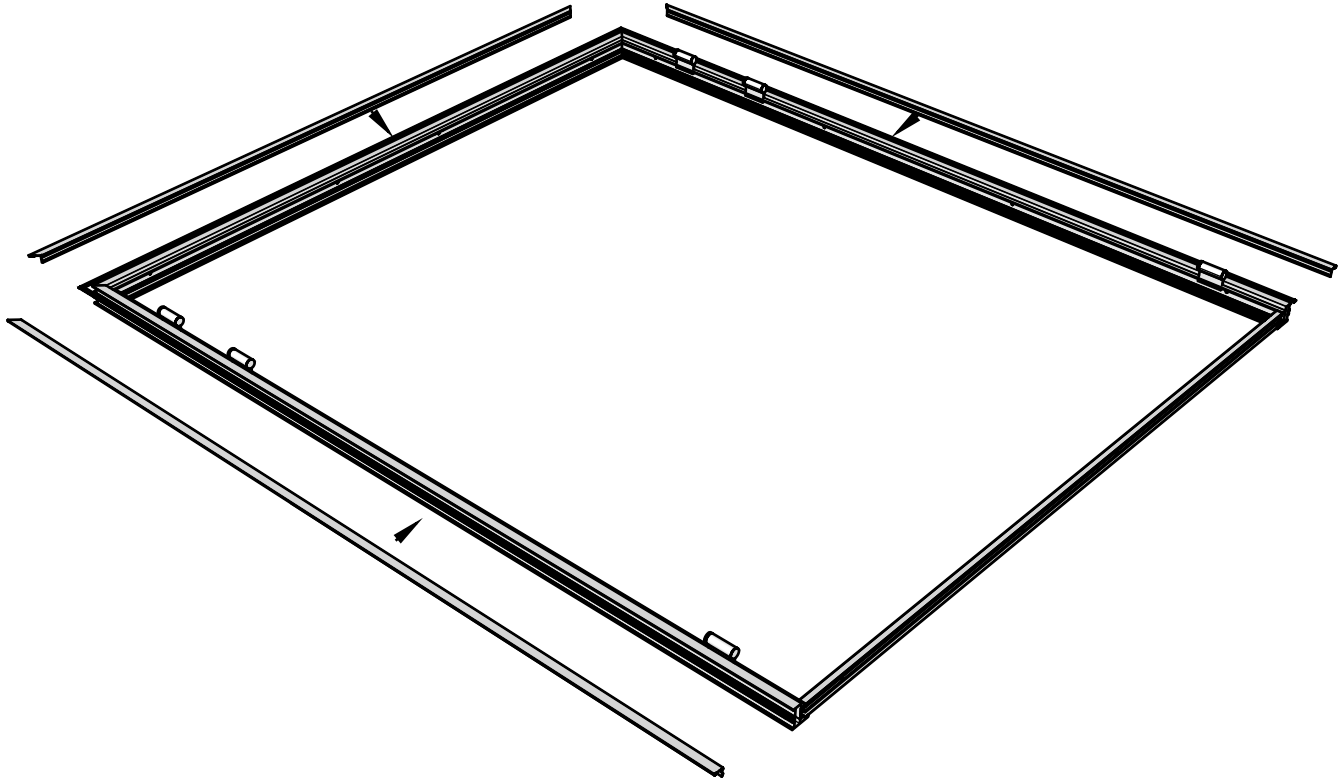
Plan:

Positions: TU51-2P-7016



Plan:

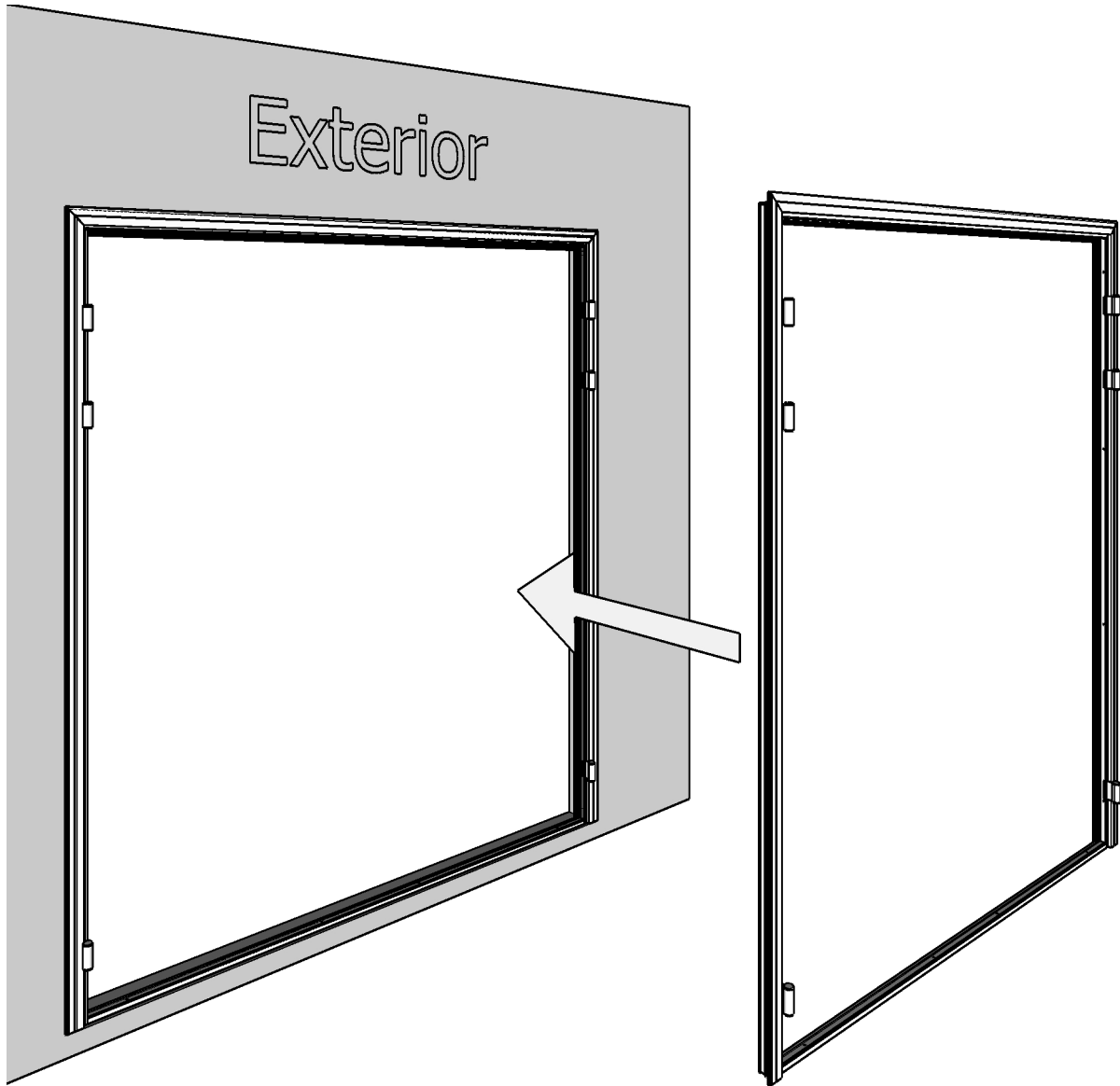
Positions: TU51-2P-7016



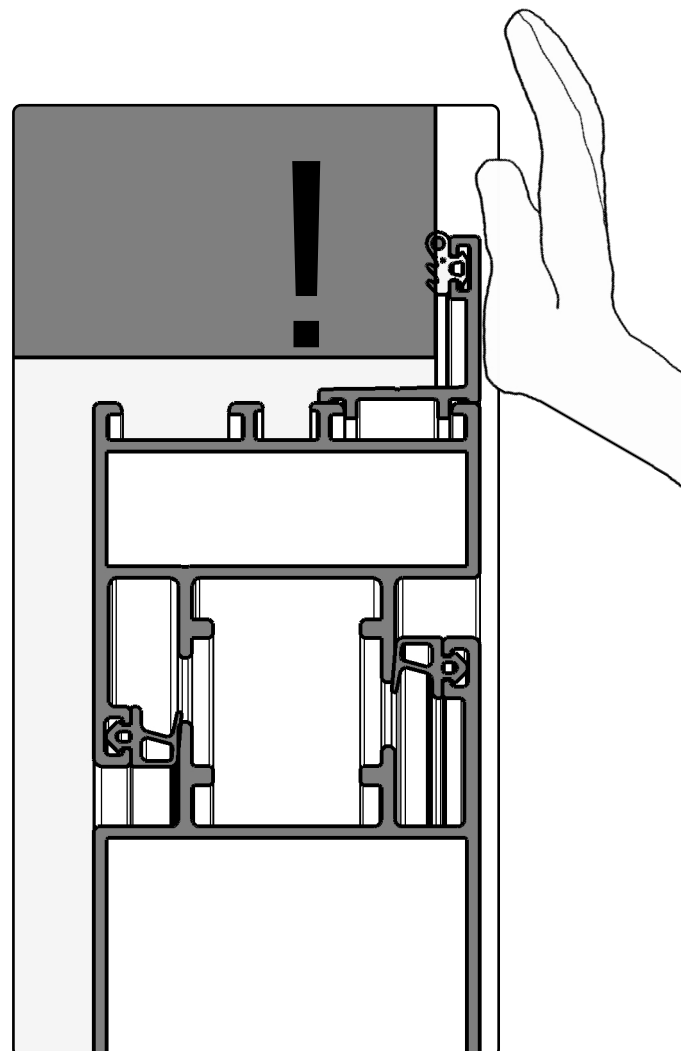
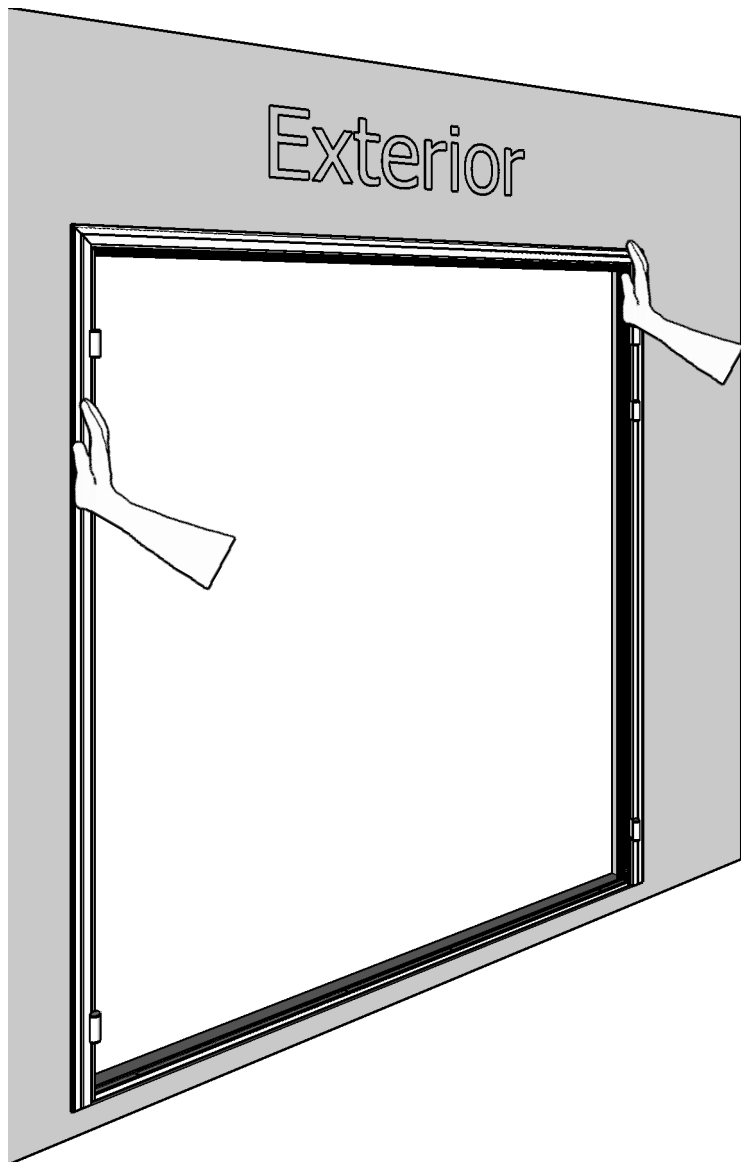
VII

Plan:

Positions: TU51-2P-7016



Plan:
Positions: TU51-2P-7016

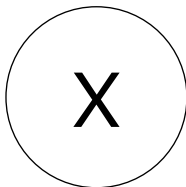
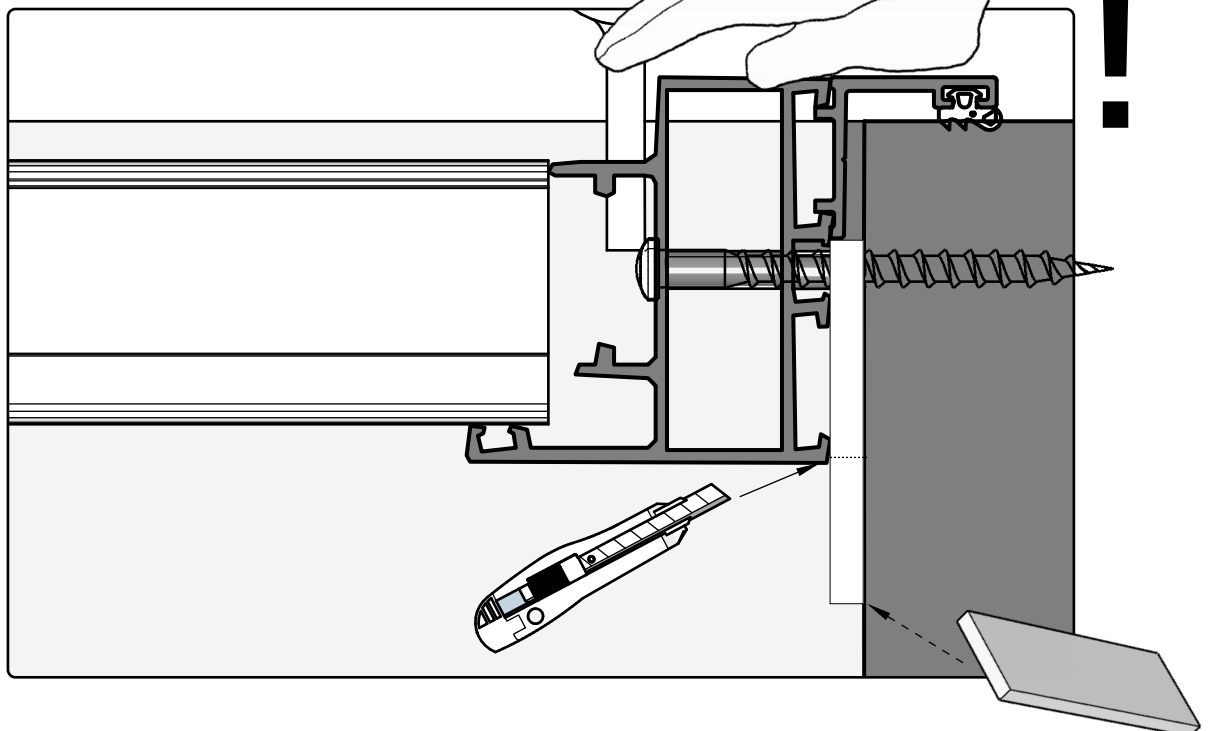
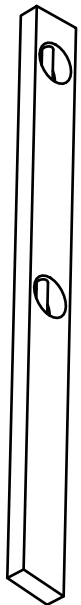
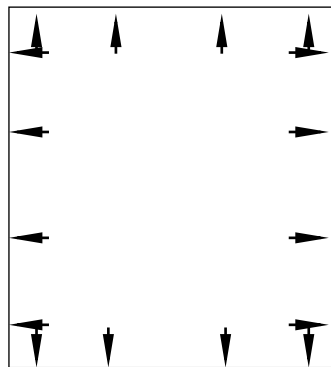
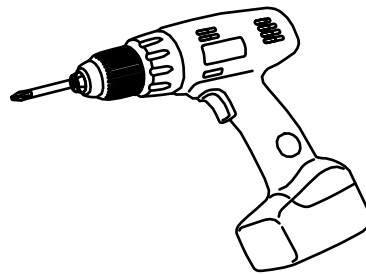
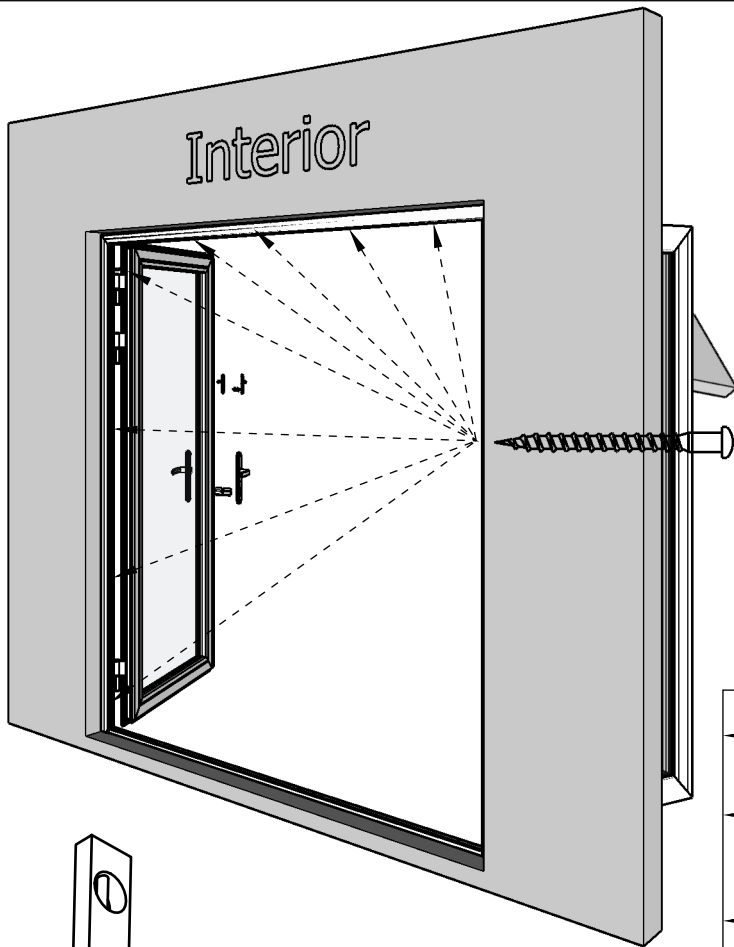
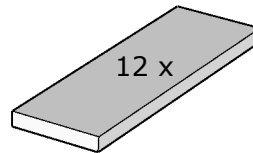


Plan:

Positions: TU51-2P-7016

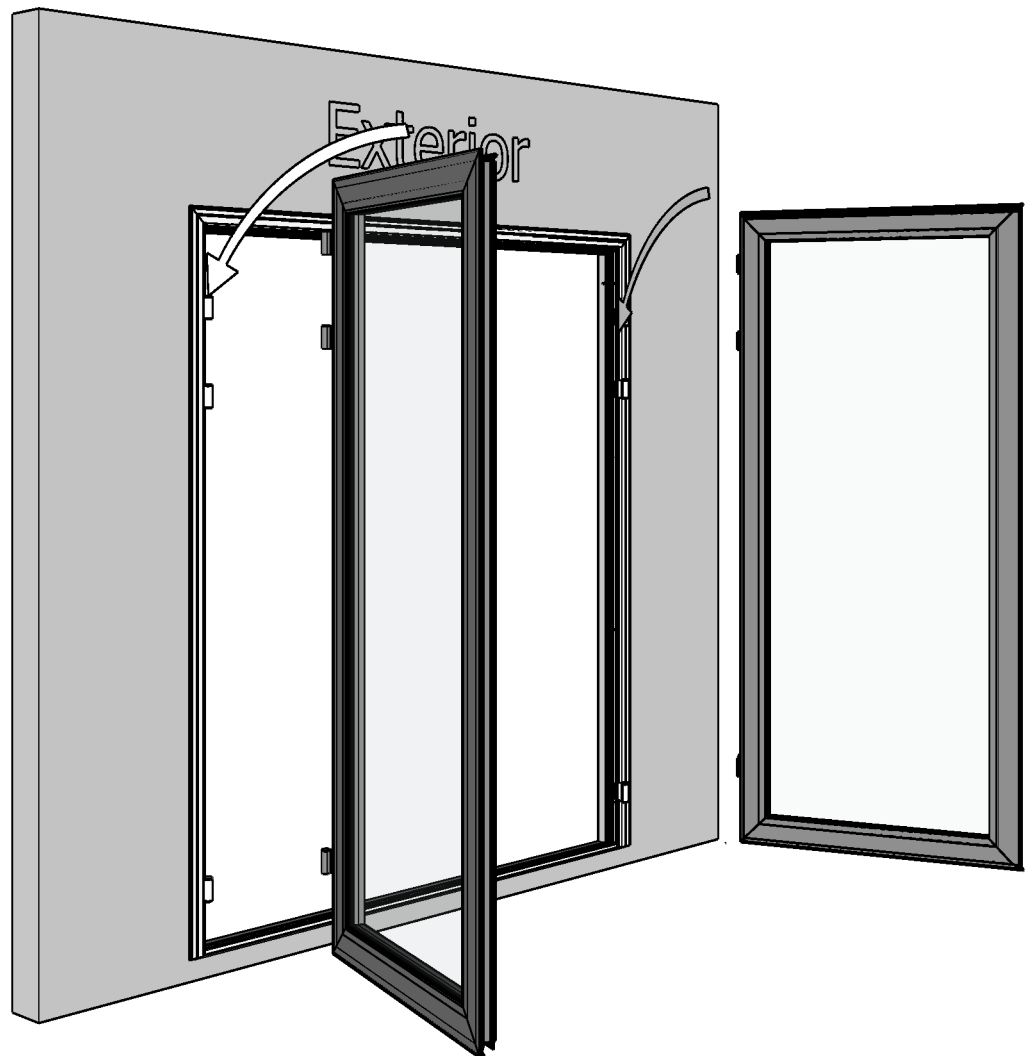
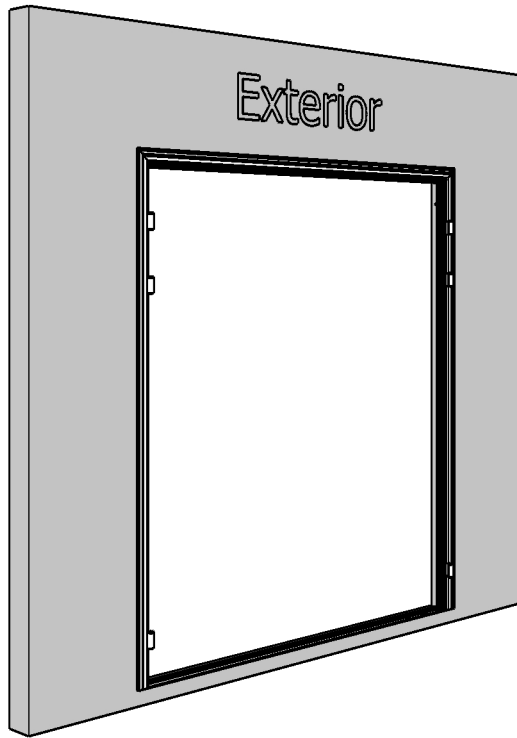


12 x (QKRYP5x40ZnTX)



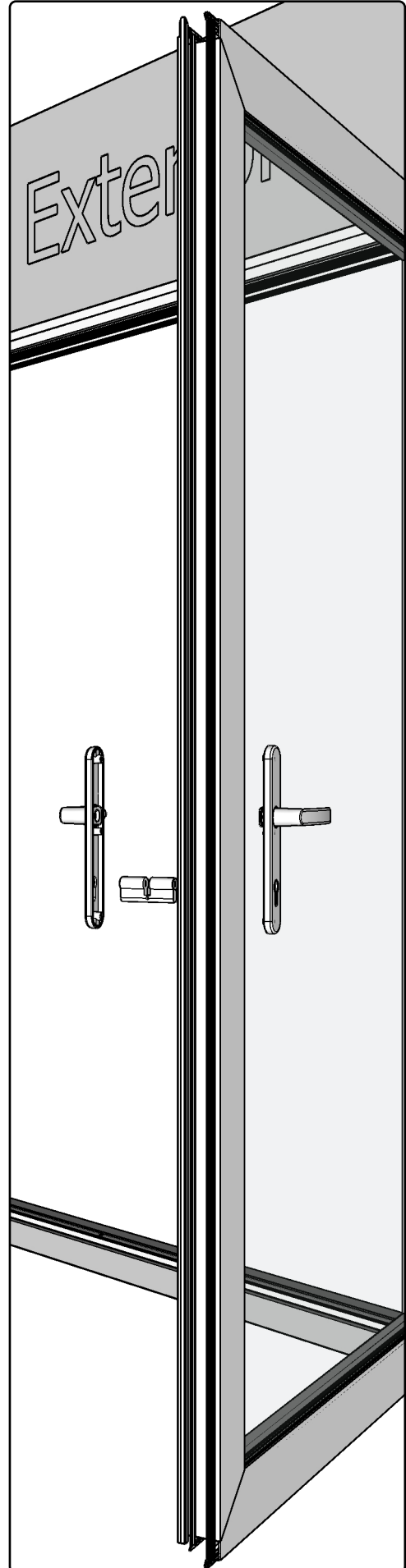
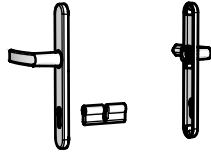
Plan:

Positions: TU51-2P-7016



XI

Plan:
Positions: TU51-2P-7016



Plan:

Positions: TU51-2P-7016



1 General information



Dear client,

We are glad that you have decided in favour of our garden house!

Please read the assembly manual carefully before proceeding with the house installation! You will thus avoid problems and will not waste time.

Recommendations:

- Keep the house package until its complete assembly in a dry place, but not in direct contact with the ground, protected from weather conditions (moisture, the sun, etc.). Do not keep the house package in a heated room!
- When selecting the garden house location, make sure that the house will not be subjected to extreme weather conditions (areas of strong snowfall or winds); otherwise you should attach the house (for instance, with anchors) to the subsoil.



Warranty

Your house is made from high quality spruce and delivered in the natural (unprocessed) form. If, despite our thorough inspection, you should have complaints, please submit the filled out control sheet and purchase invoice to the product seller.

ATTENTION: Please be sure to keep the documentation accompanying the house package! The control sheet includes the control number of the house. We can only review complaints if you submit the control number of the house to the seller!

The warranty does not cover:

- Peculiarities of wood as a natural material
- Wooden details already painted (processed with a wood preservative)
- Wooden details containing whole branches that do not endanger the stability of the house
- Colour tone variations caused by wood structure differences that do not influence wood lifetime
- Wooden details containing (caused by drying) small cracks/gaps that do not pass through and do not influence the structure of the house
- Twisted wooden details if they can nevertheless be installed
- Roof and floor boards that may have on their concealed surfaces some non-planed areas, colour differences and waning
- Complaints resulting from an incompetent manner of the installation of the house or the house subsiding due to an incompetently made foundation
- Complaints caused by introducing self-initiative changes to the house, such as the deformation of wooden details and doors/windows due to an incompetent manner of wood processing; the attachment of storm braces too rigidly, doorframes being screwed onto wall logs, etc.

The complaints covered by the warranty are satisfied to the extent of replacing the deficient/faulty material. All other demands will be excluded!