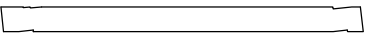
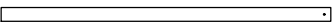


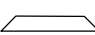






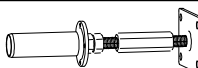
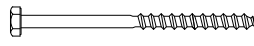
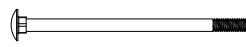
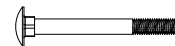






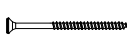


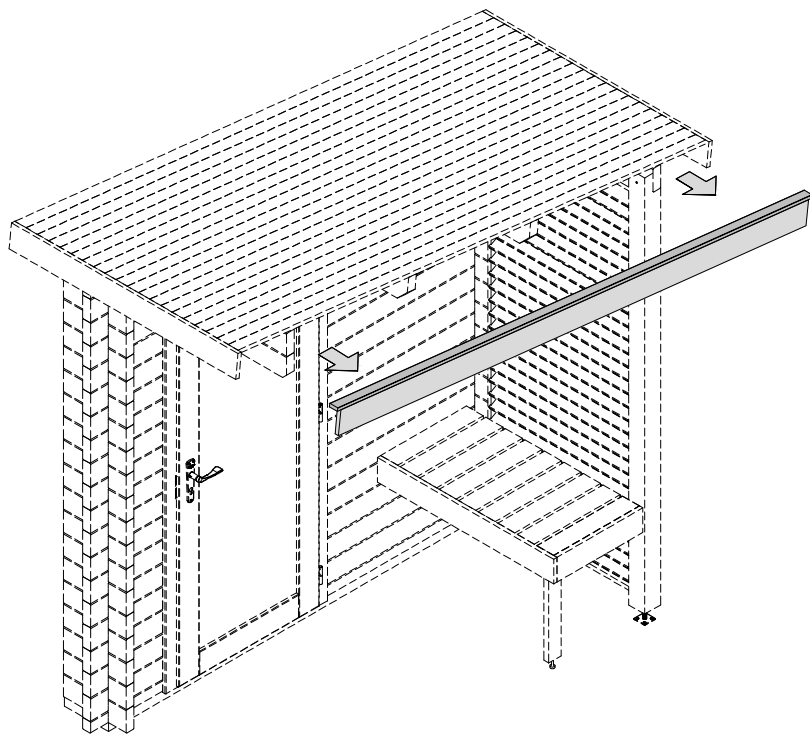
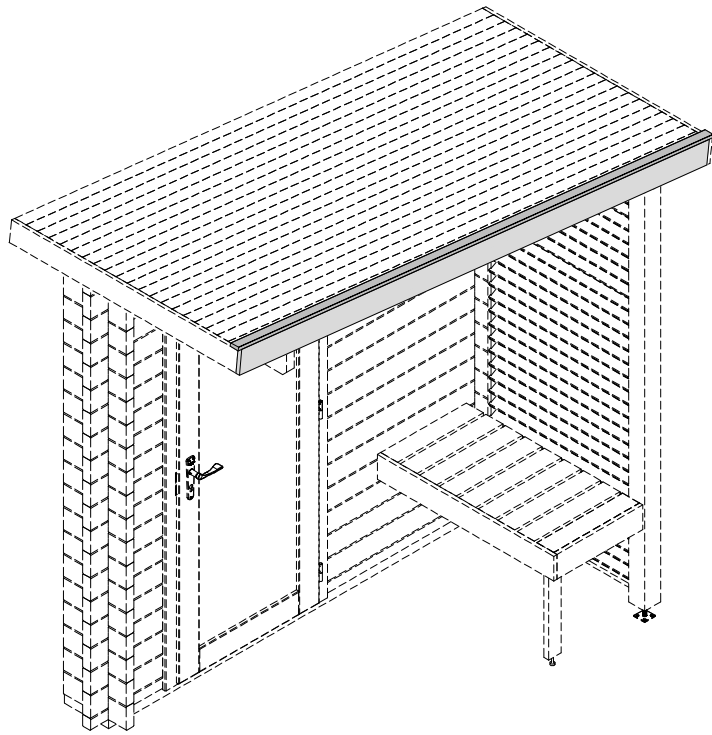
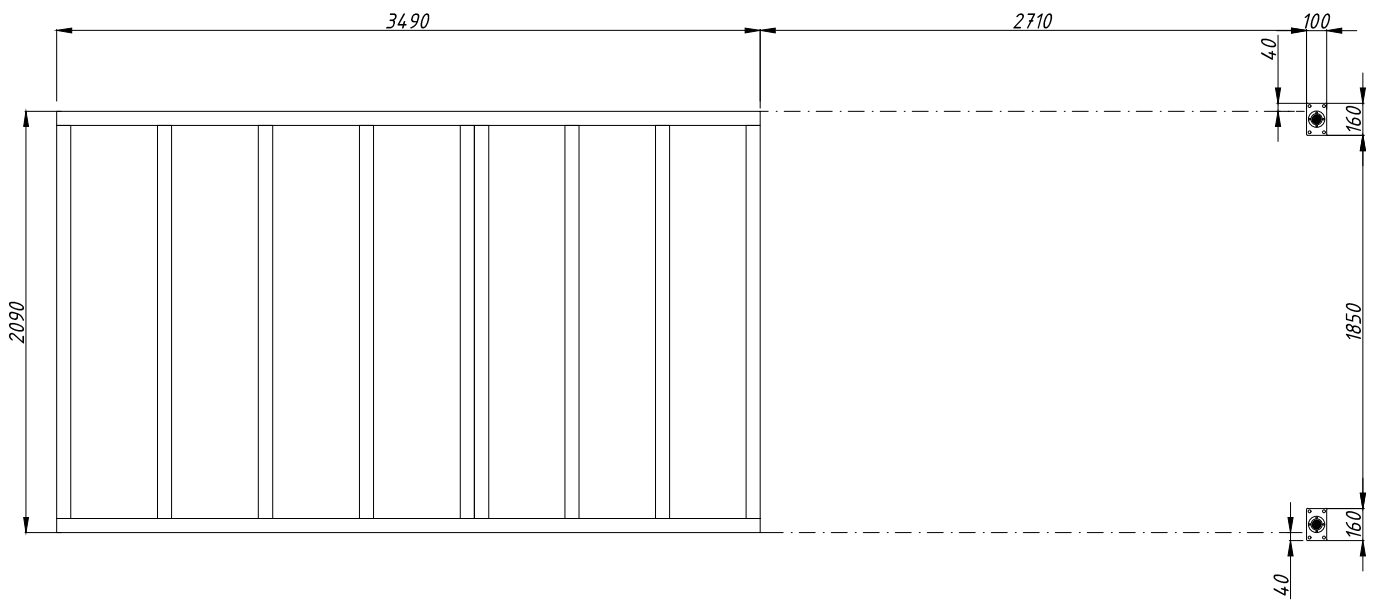
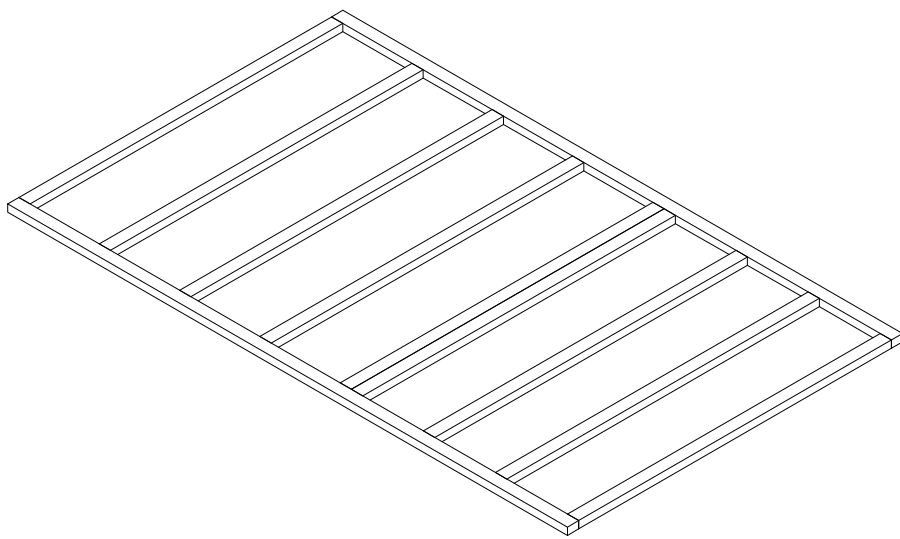
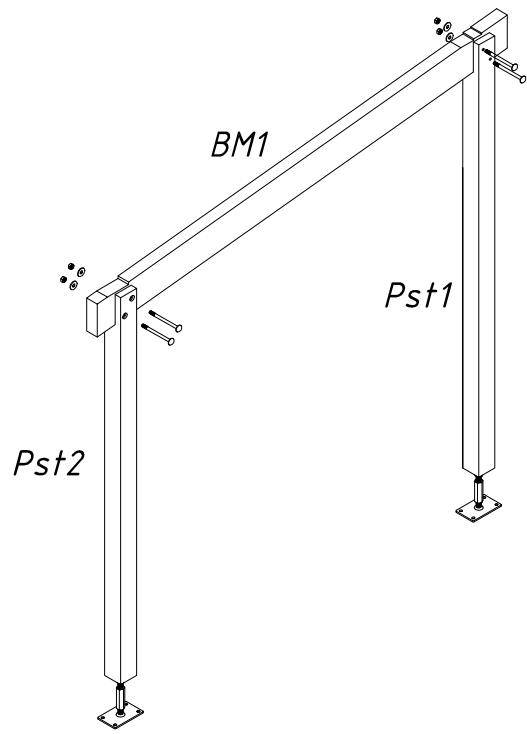
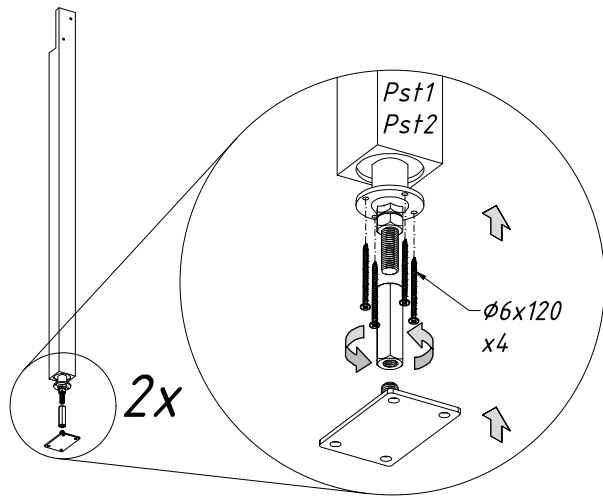


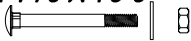

Pos	SPECIFICATION-STÜCKLISTE-NOMENCLATURE-ELEMENTI-ESPECIFICACIÓN LA90-2821		Pcs	Profile (mm)	Length (mm)
BM1	Beam- Balken- Poutre- Trave- Viga 		1	160x60	2332
Pst3	Post- Pfosten- Poteau- Montante- Poste 		1	90x90	2120
Pst1	Post- Pfosten- Poteau- Montante- Poste 		1	90x90	2080
Pst2	Post- Pfosten- Poteau- Montante- Poste 		1	90x90	1860
Pst5	Post- Pfosten- Poteau- Montante- Poste 		1	44x95	630
Pst4	Post- Pfosten- Poteau- Montante- Poste 		1	44x95	630
PR1	Purlin- Dachpfette- Arbalétrier- Arcareccio- Correa 		4	44x120	3080
RB2-1	Roof board- Dachbrett- Madrier du toit- Tavola tetto- Tabla de tejado		24	89x19	2640
EaE6-1	Eave edging- Dachrandbrett- Madrier en bordure du toit- Tavola bordo tetto- Tabla de valadizo		2	19x120	2080
RE2-1	Roof edge reinforcement- Dachrandleiste- Baguette en bordure du toit- Rinforzo bordo tetto- Refuerzo borde tejado		2	32x40	2080
Fim	-Fixing kit- Befestigungsset- Moyens de fixation- Materiale di fissaggio- Kit de fijación		1		
QLA16	Adjustment bolt - Senkbolzen - Boulon de réglage - Bullone di regolamento- Perno de ajuste		1		
QPT150	Adjustment bolt - Senkbolzen - Boulon de réglage - Bullone di regolamento- Perno de ajuste 150-250		2		
QKRKK8 x160Zn	Bolt -Schloss-schraube -Boulon- Bullone- Perno- 8x160mm KSKR		4		
QPOYP8 x150Zn	Bolt -Schloss-schraube -Boulon- Bullone- Perno- M8x150mm PUP0		1		
QPOYP1 0x100Zn	Bolt -Schloss-schraube -Boulon- Bullone- Perno- M10x100mm PUP0		10		
QNU70x 70x55Zn	L-iron- Winkel- Angle -Angolo- Angulo 70x70x55 EM71304		6		
QNA2 2x50Zn	Nail- Nagel- Clou- Chiodo- Clavo- 2.5x50mm		120		
QMUk K10Zn	Nut- Schraubenmutter- Écrou- Dado- Tuerca- M10mm		10		
QKRPP4 _5x50Zn	Screw- Schraube- Vis- Vite- Tornillo- 4.5x50mm		50		
QKRPP4 _5x60Zn	Screw- Schraube- Vis- Vite- Tornillo- 4.5x60mm		30		
QKRYP5 x40ZnTX	Screw- Schraube- Vis- Vite- Tornillo- 5x40mm		72		
QKRPP5 x80ZnTX	Screw- Schraube- Vis- Vite- Tornillo- 5x80mm		12		
QKRPP 6x120 ZnTX-1	Screw- Schraube- Vis- Vite- Tornillo- 6x120mm TX-1		8		
QSE8 x20Zn	Washer- Dichtscheibe- Joint- Rondella- Arandela- 8x20mm		4		

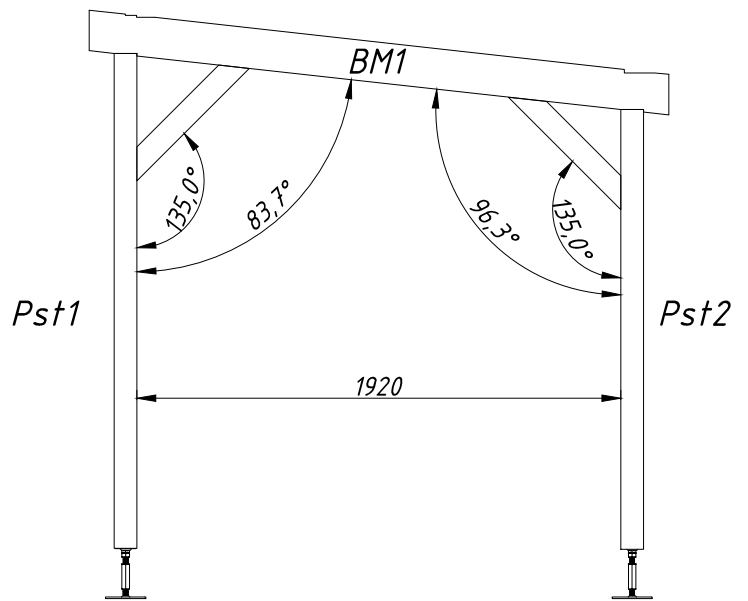
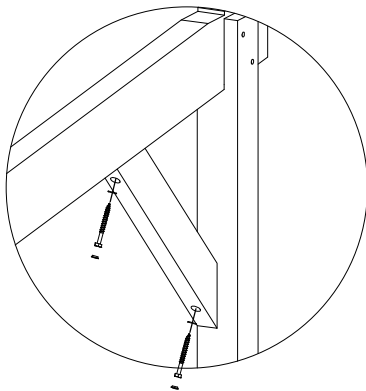




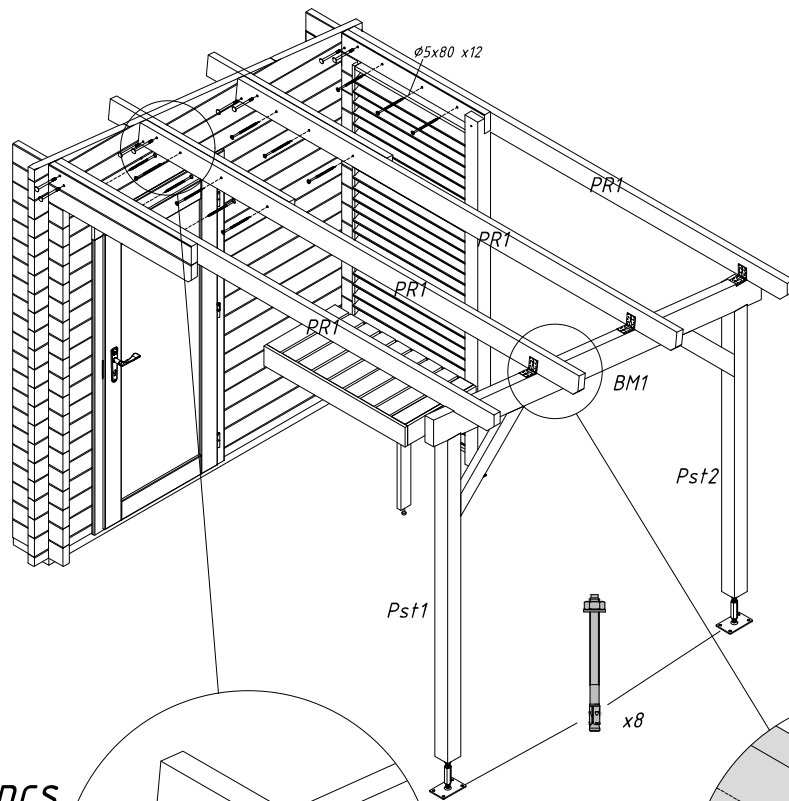




$M10 \times 100$ 4 pcs

 $\phi 6 \times 120$ 8 pcs


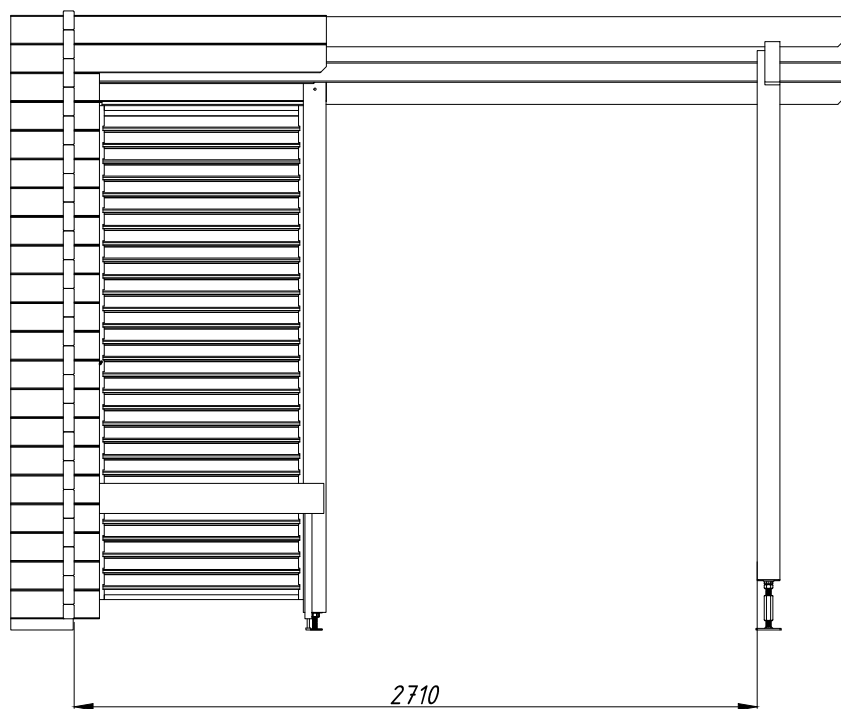
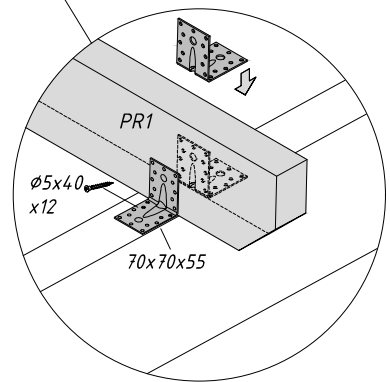
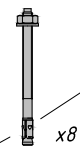
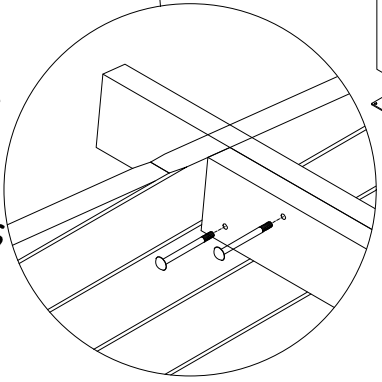


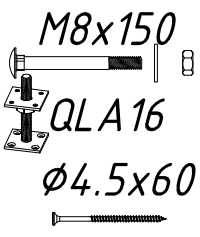
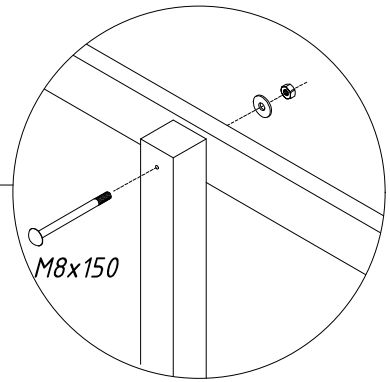
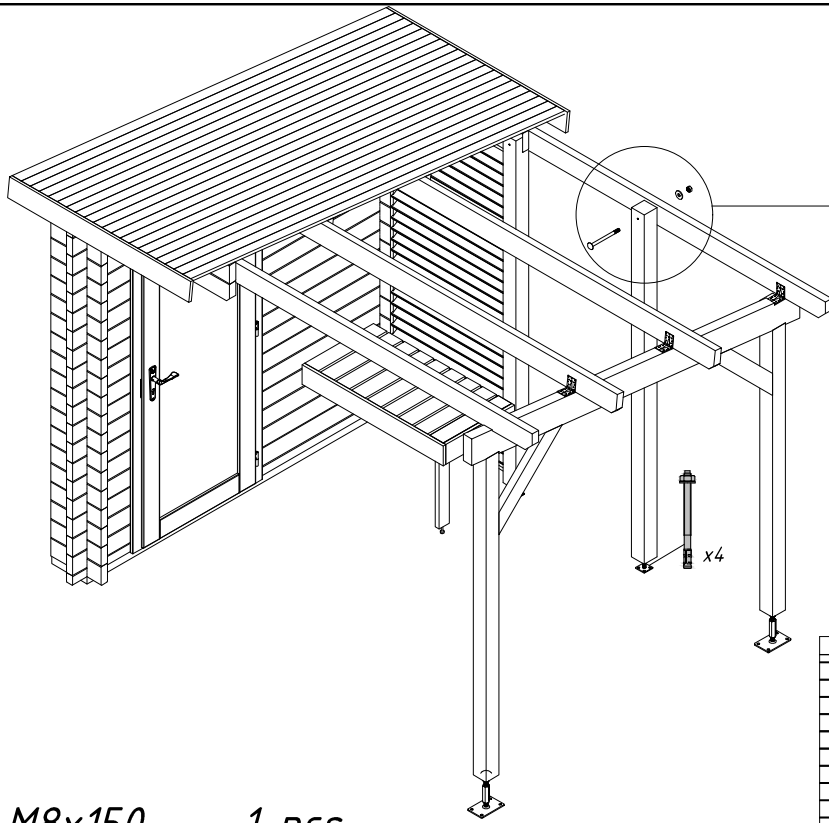
$KSKR8 \times 160$ 4 pcs



- M10x100
- 70x70x55
- Ø5x40
- Ø5x80

- 6 pcs
- 6 pcs
- 72 pcs
- 12 pcs

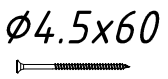
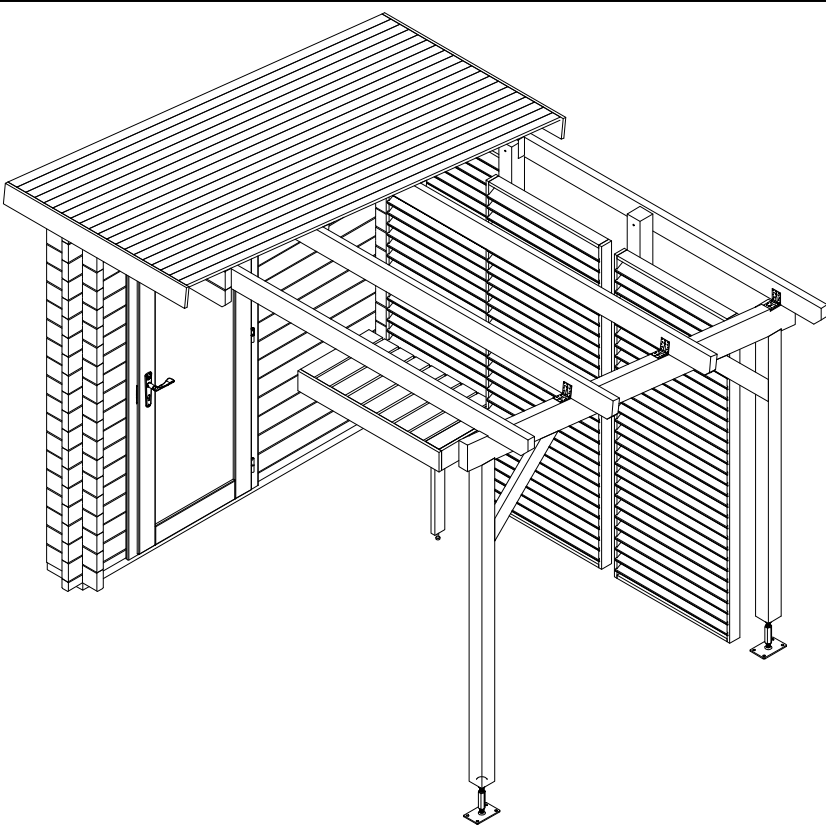
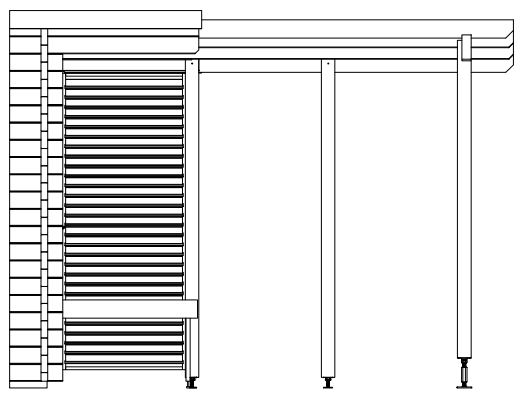




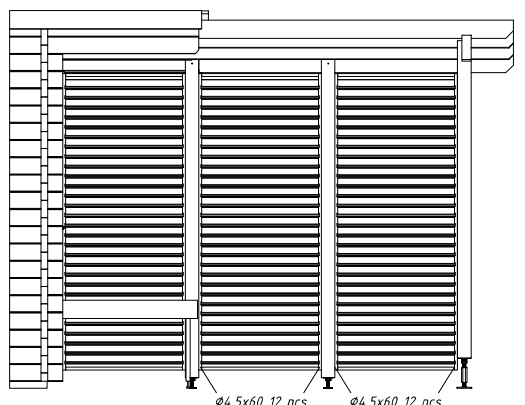
M8x150 1 pcs

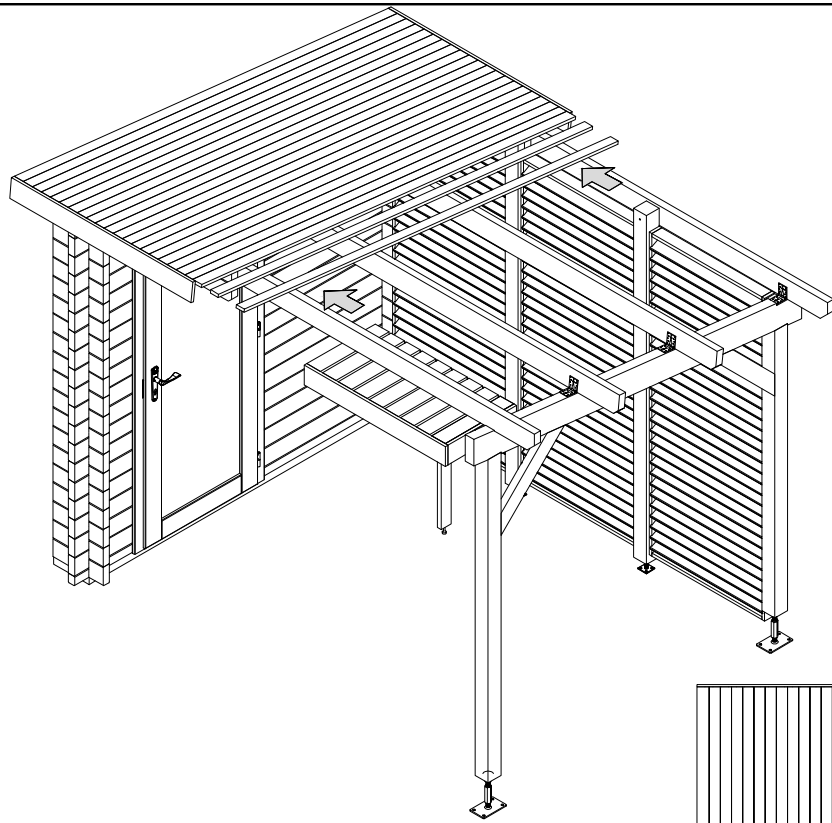
QLA 16 1 pcs

Ø4.5x60 4 pcs

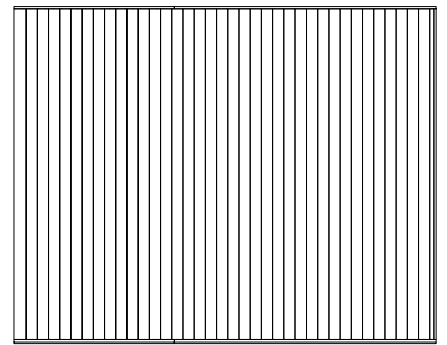


Ø4.5x60 24 pcs





RB1-1 24 pcs
 $\phi 2,5 \times 50$ — 100 pcs



EaE6-1 2 pcs
 RE2-1 2 pcs
 $\phi 4,5 \times 50$ — 46 pcs

