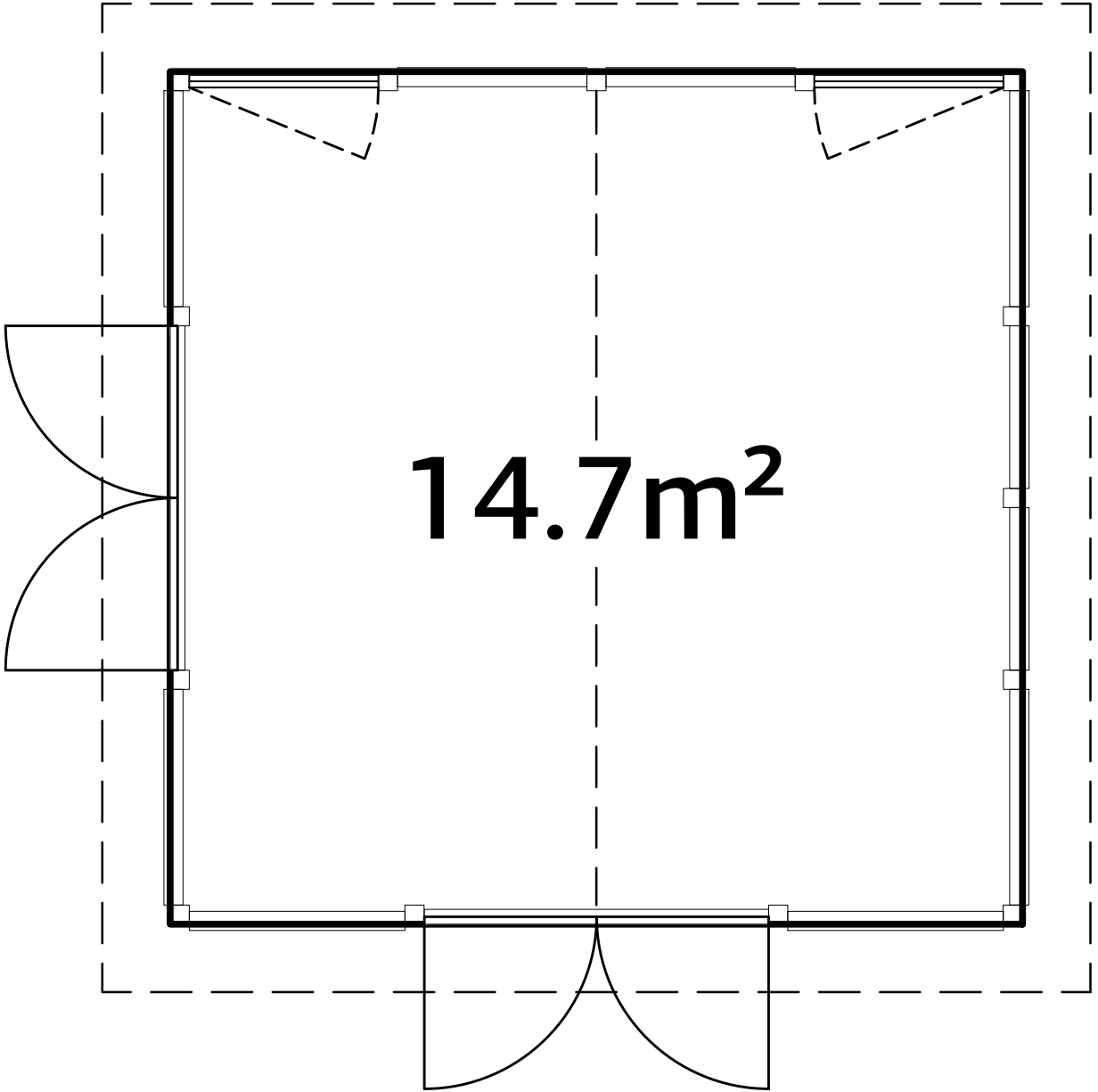


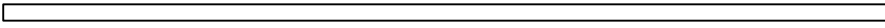

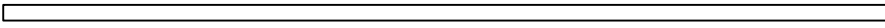


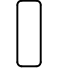





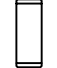


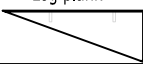
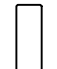
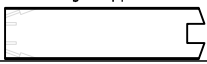
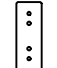

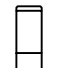
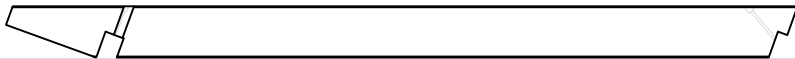
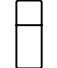
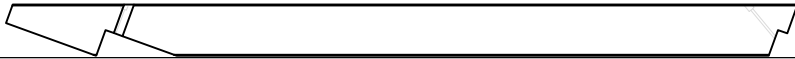
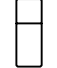

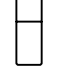

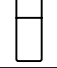

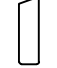



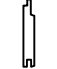

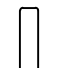

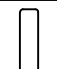

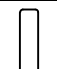

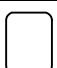

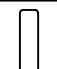
401


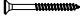

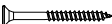
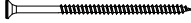
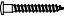

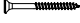
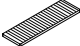





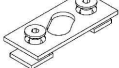
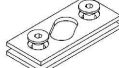

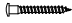
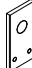
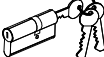



465



401

465


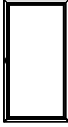



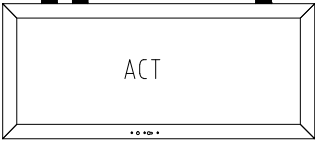
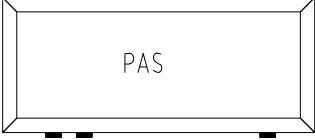

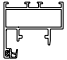



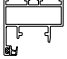



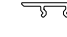
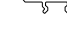
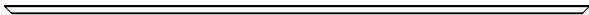
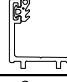

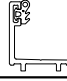

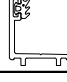
	16.10.2024	SPECIFICATION-STÜCKLISTE-NOMENCLATURE-ELEMENTI-ESPECIFICACIÓN Isabella 14.7m2 PA90-4040	1/1	Pcs	Profile (mm)	Lenght (mm)
1		Foundation DIP treated 		2	45 × 70	3830
2		Foundation DIP treated 		2	45 × 70	3970
3		Foundation slat DIP treated 		2	16 × 45	1860
4		Post 		10	90 × 90	2257
5		Corner post 		4	90 × 90	2257
6		Beam 		2	60 × 160	3910
9		Side ridge 		2	60 × 160	4610
10		Log plank 		4	60 × 160	440
11		Ridge support 		2	60 × 160	623
12		Ridge 		1	60 × 160	4610
13		Rafter 		8	60 × 160	2474
14		Rafter 		2	60 × 160	2474
15		Rafter 		4	60 × 160	2474
16		Rafter 		2	60 × 160	2474
18		Support brace 		10	28 × 94	742
19		Roof board 		56	16 × 98	3490
20		Roof board 		56	16 × 98	1120
21		Covering board 		4	19 × 70	2480
22		Eave edging 		2	19 × 70	1910
23		Eave edging 		2	19 × 70	2700
24		Slat 		50	12 × 16	2105
25		Eave edging 		4	19 × 70	2499

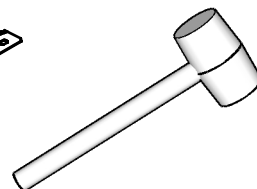
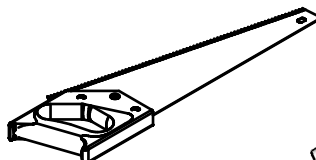
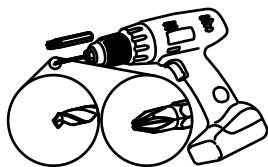
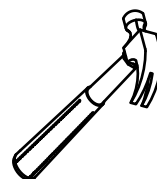
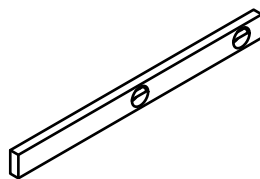
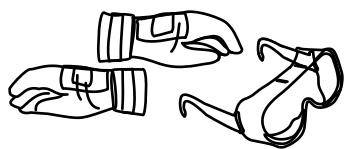
SPECIFICATION-STÜCKLISTE-NOMENCLATURE-ELEMENTI-ESPECIFICACIÓN Isabella 14.7m2 PA90-4040		2/3	Pcs	Profile (mm)
QNA 2_2 x50Zn	Nail- Nagel- Clou- Chiodo- Clavo- 2.5x50mm		1000	to roof boards
QKRP P3 x35Zn	Screw- Schraube- Vis- Vite- Tornillo- 3x35mm		230	to slats
QKRP P4_5 x50Zn	Screw- Schraube- Vis- Vite- Tornillo- 4.5x50mm		100	to eave edging
QKRP P5 x90Zn	Screw- Schraube- Vis- Vite- Tornillo- 5x90mm		84	to EL1
QKRP P6 x80Zn	Screw- Schraube- Vis- Vite- Tornillo- 6x80mm		124	to post and beam
QKRP P6x1 50ZnTX	Screw- Schraube- Vis- Vite- Tornillo- 6x150mm TX		64	8 to foundation 8 to log planks 32 to rafters 8 to ridges 8 to beams
QKRY P5x6 0ZnTX	Screw- Schraube- Vis- Vite- Tornillo- 5x60mm		116	to doors and windows
QTY 8x60	Dowel- Dübel- Cheville- Tassello- Espiga- 8x60mm		12	
QKRPP3 9x20Zn AW	Screw- Schraube- Vis- Vite- Tornillo- 3.9x20mm		30	
QPL20x 100x2PET			180	
QPL20x 100x3PET			180	
	EL1		12	890x460x44
QLY-ACEL 011			4	
QLY-ALI 169			16	
QLY-ACZZ D08			14	
QLY-ACTL 424			2	
QLY-ACTL 425			2	
QPOKK5X 12MU			14	
QKRYP4 8X25RV			8	
QLY-ACEL 035			4	
QLY-LWB 02	Cylinder- Zylinderschloss- Serrure a mortaiser- Serratura a cilindro- Bombin- LWB02		2	
QLY-ACW KS92	Door fittings- Türbeschlag- Ferrure- Ferramenta porta- Manilla (puerta)- ACWKS92 S		2	
QLY-AC MAS29	Window fittings- Fenstergriff- Poigne de la fenêtre- Maniglia finestra- Manilla- ACMAS29		2	
QLY-AC MAS33	Window fittings- Fenstergriff- Poigne de la fenêtre- Maniglia finestra- Manilla- ACMAS33		2	

SPECIFICATION-STÜCKLISTE-NOMENCLATURE-ELEMENTI-ESPECIFICACIÓN
 Isabella 14.7m2 PA90-4040

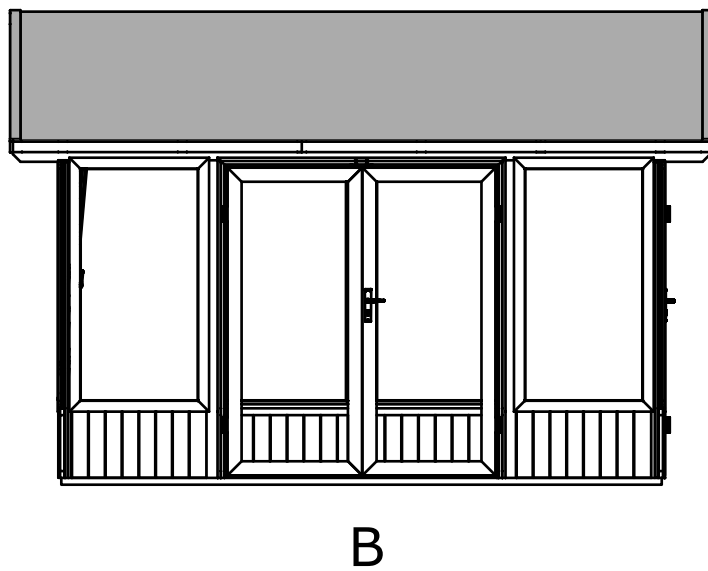
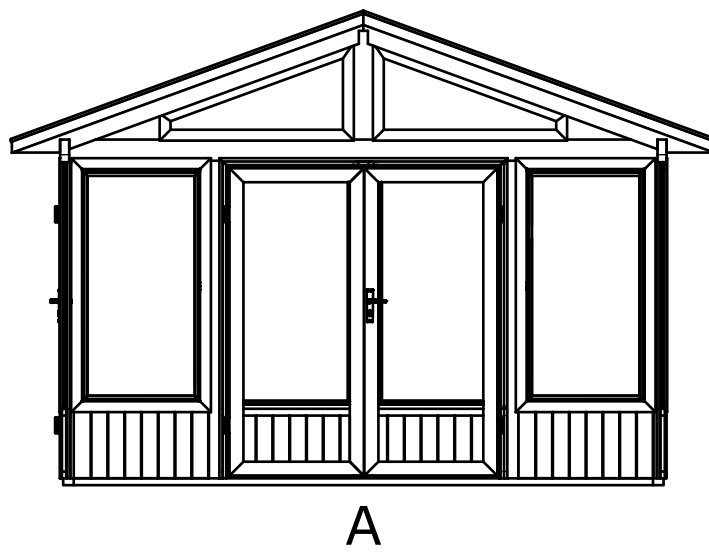
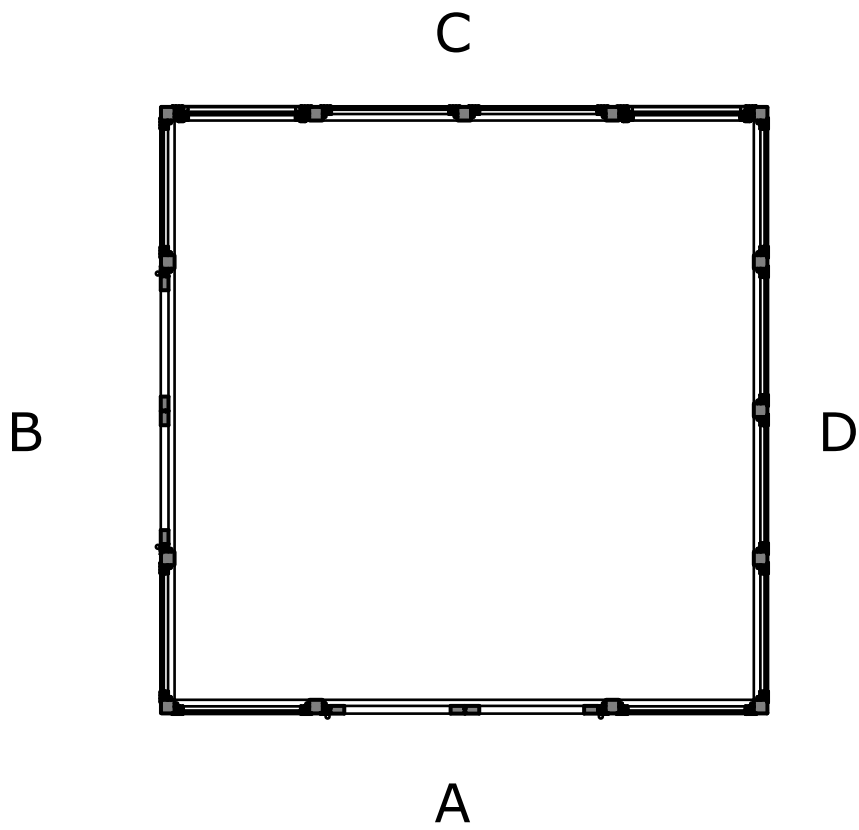
3/3 Pcs

Profile
(mm)

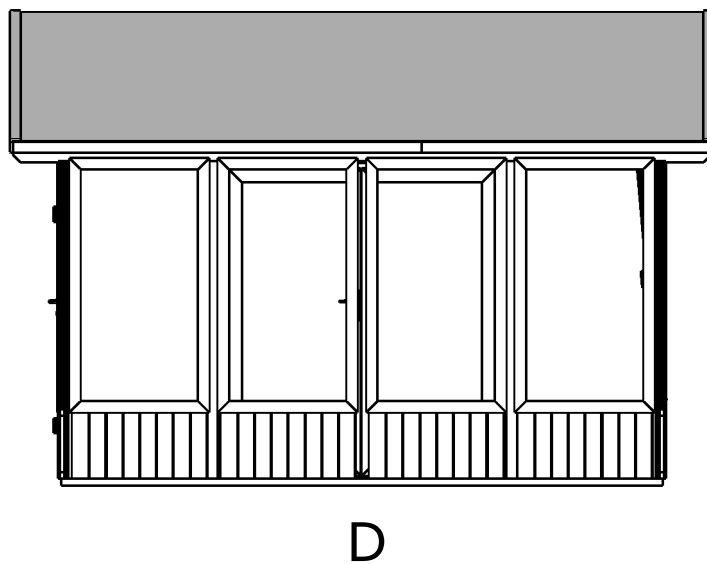
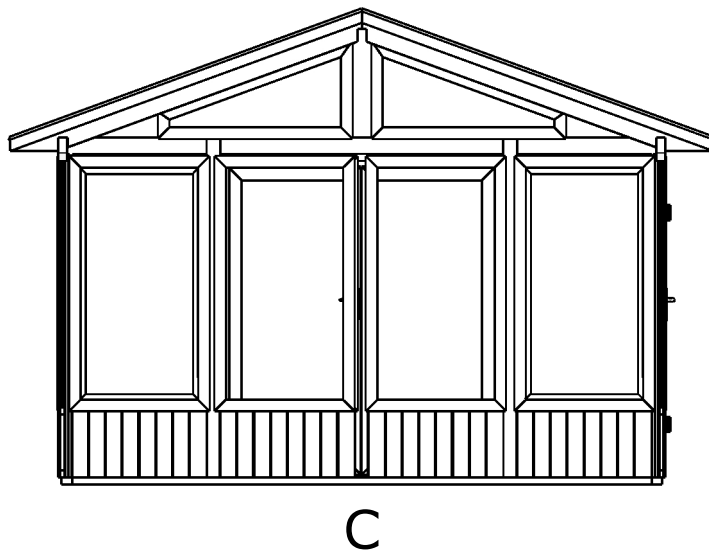
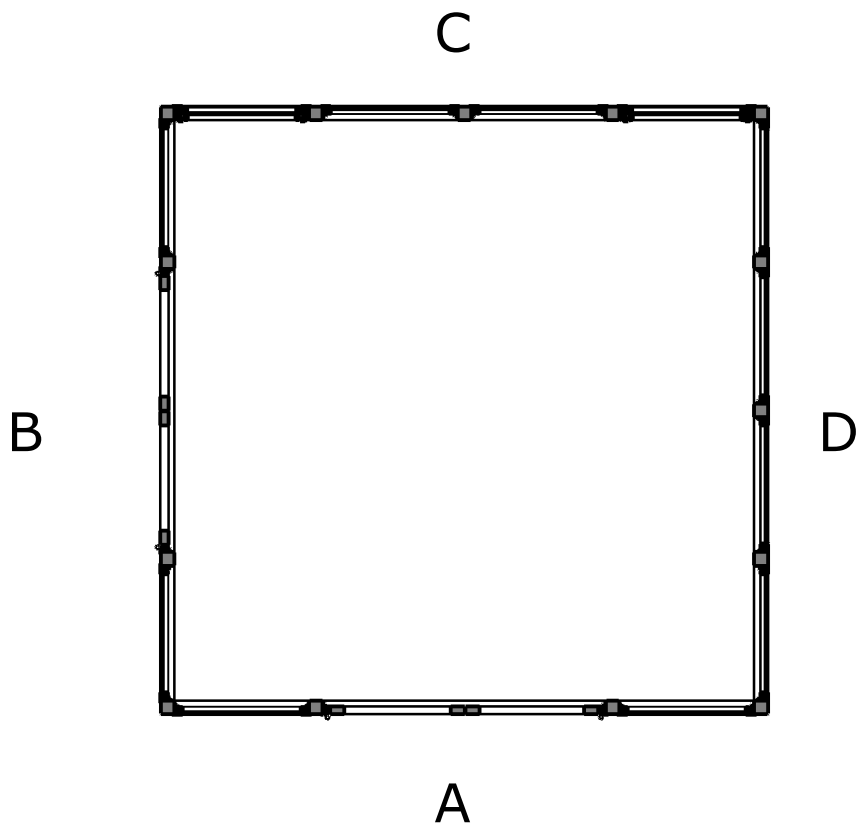
A51-1V -7016	Window 924x1679		1	60x924	1679
A51-1P -7016	Window 924x1679		1	60x924	1679
A51-3 -7016	Window 924x1679		10	51x924	1679
A51-5 -7016	Window 1256x651		2	51x651	1256
A51-6 -7016	Window 1256x651		2	51x651	1256
A			2	51x907	2054
B			2	51x907	2054
EL215-1			2		2095
EL215-4			2		2095
EL215-2			2		1860
EL092			2		1786
MC155			2		870
MC155			2		865
MC156			2		870
MC156			2		865
VG12			2		1904
VG12			2		2117
VG12			2		2117



1




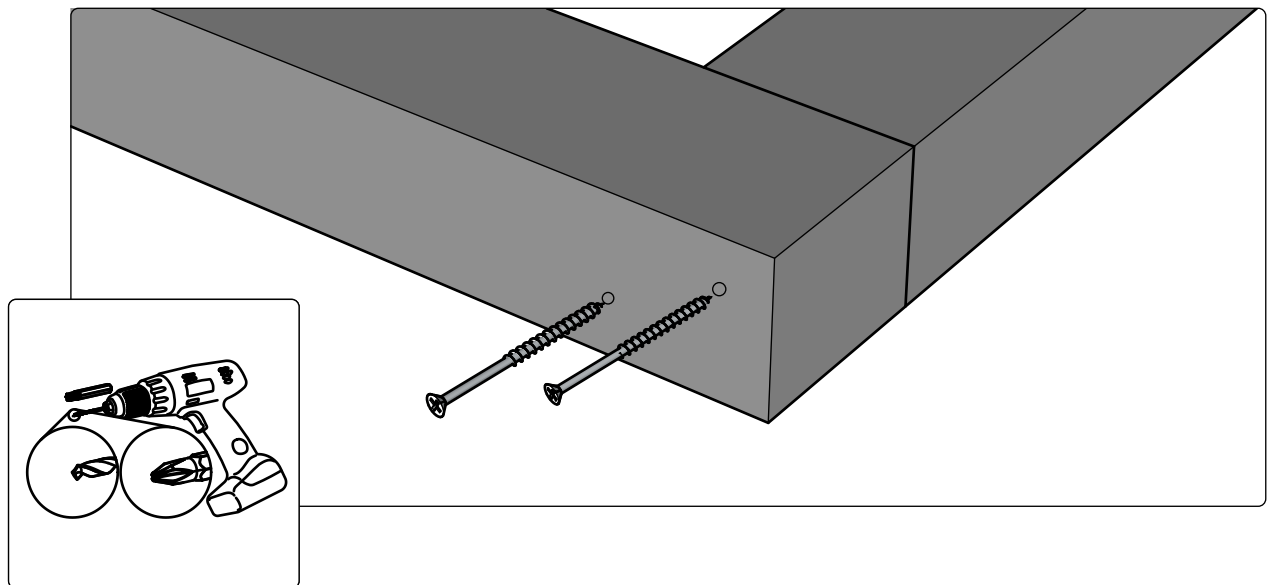
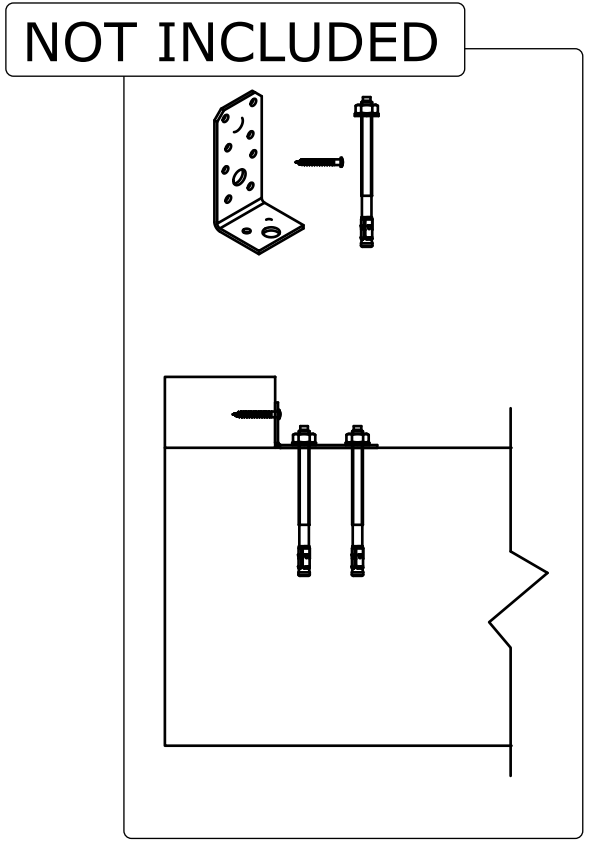
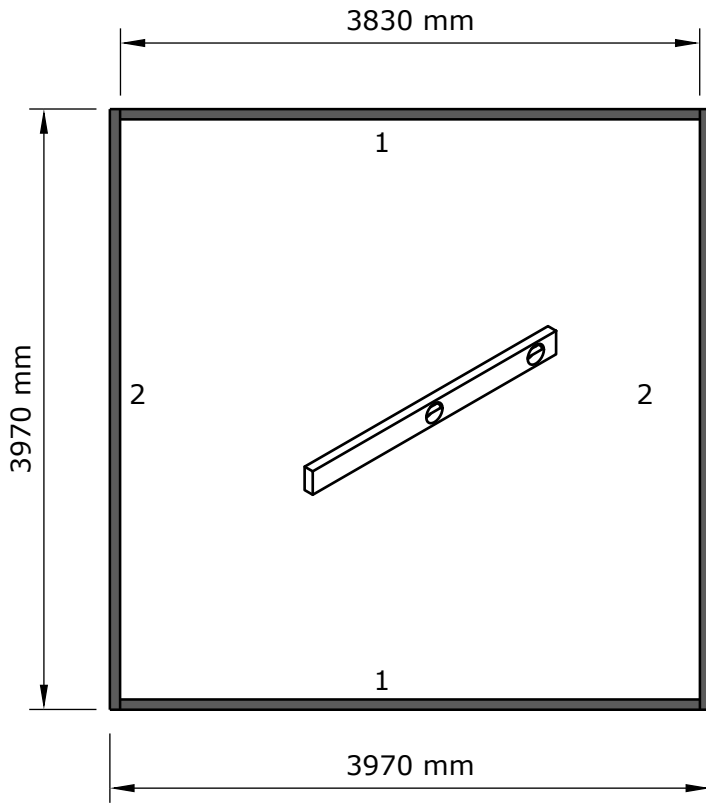
2




3

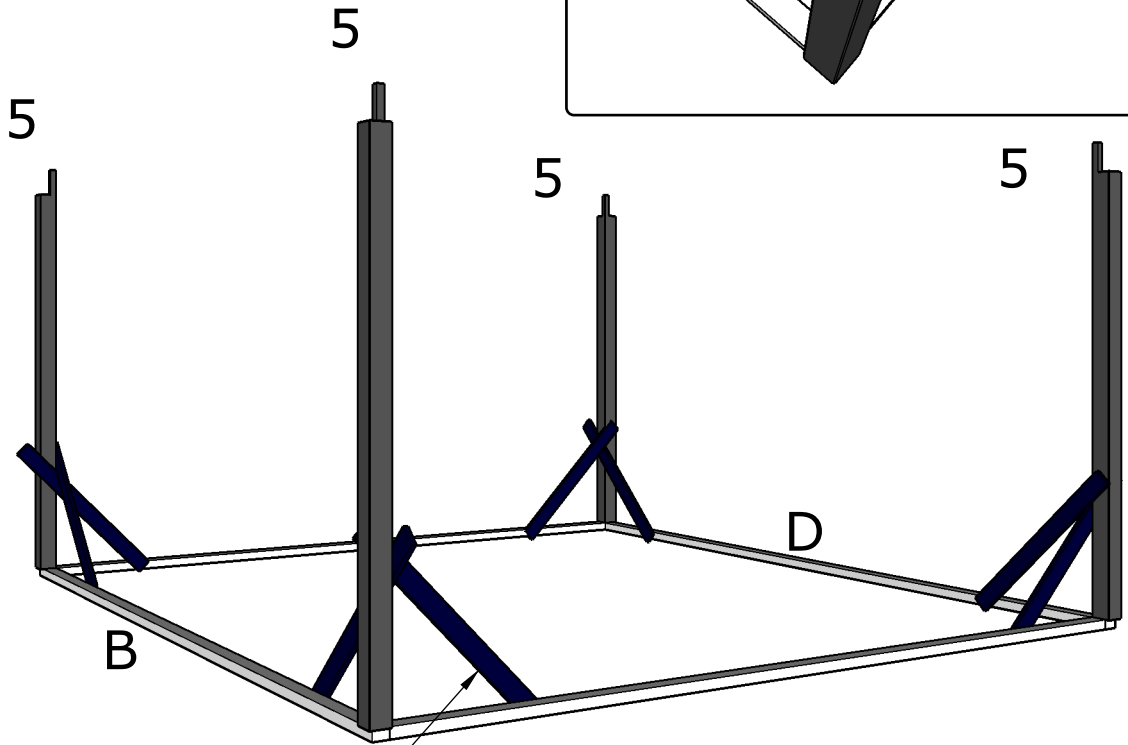
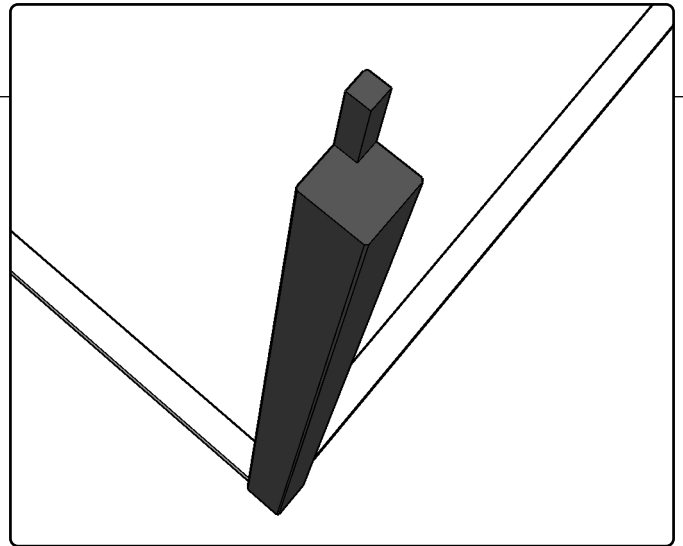
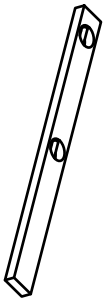
Plan:
Positions: 1, 2

 8 x (QKRPP6x150ZnTX)

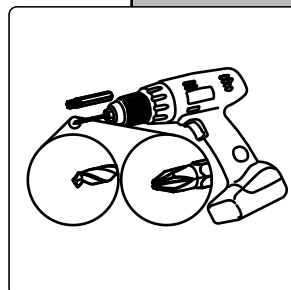
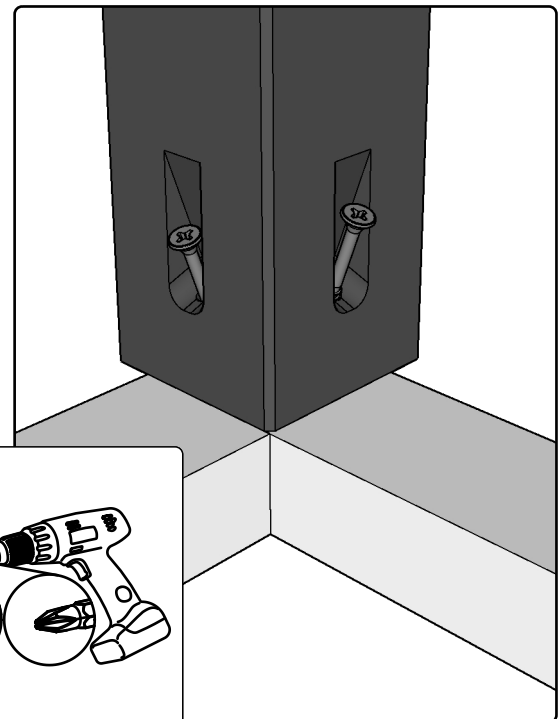
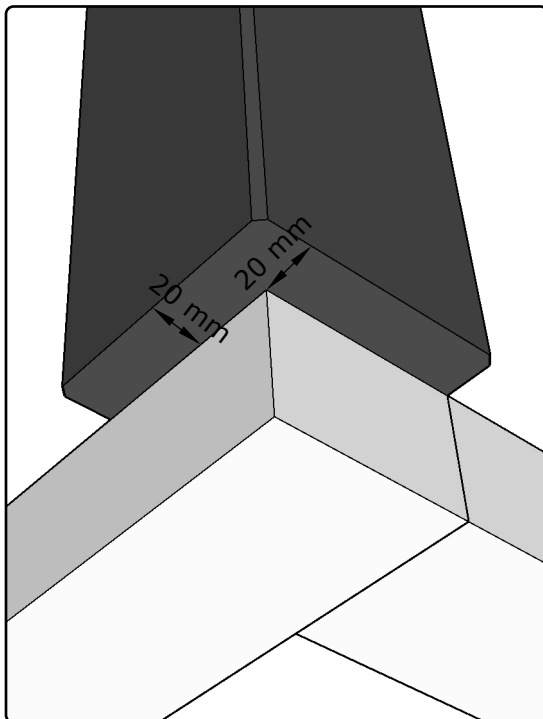


Plan: B, D
Positions: 5

 8 x (QKRPP6x80ZnTX)




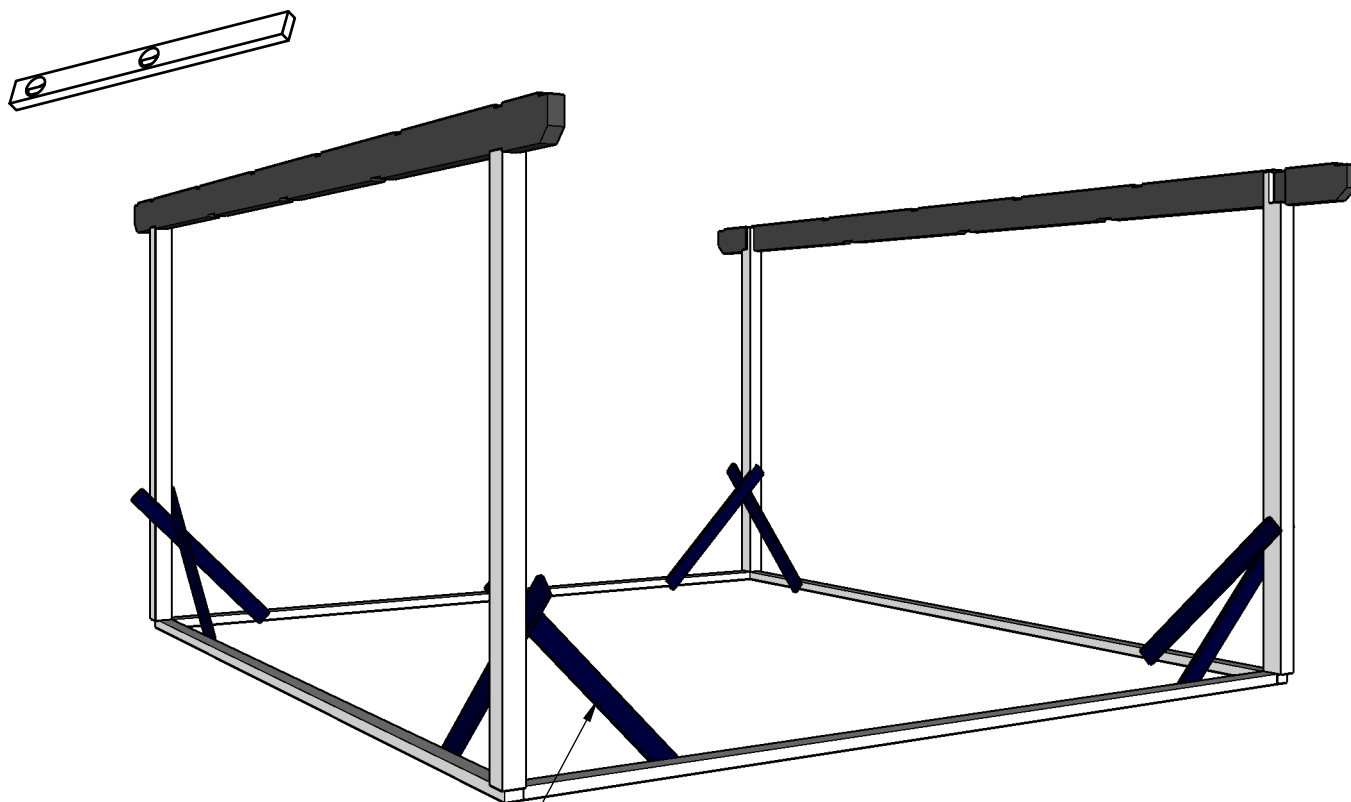
Temporary - not included



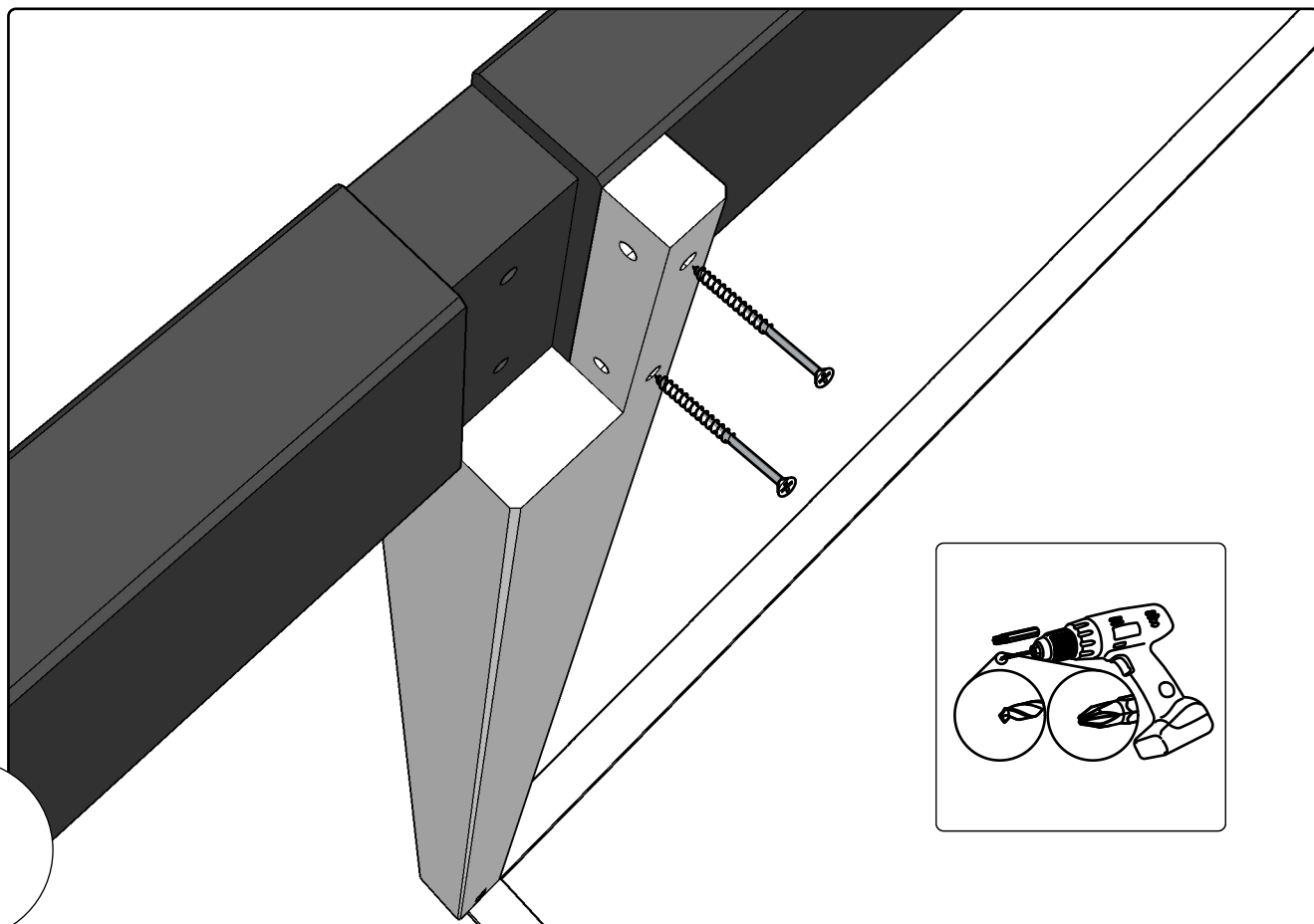
5

Plan:
Positions: 6

 8 x (QKRPP6x80ZnTX)



Temporary - not included



Plan:

Positions: 9, 10, 11



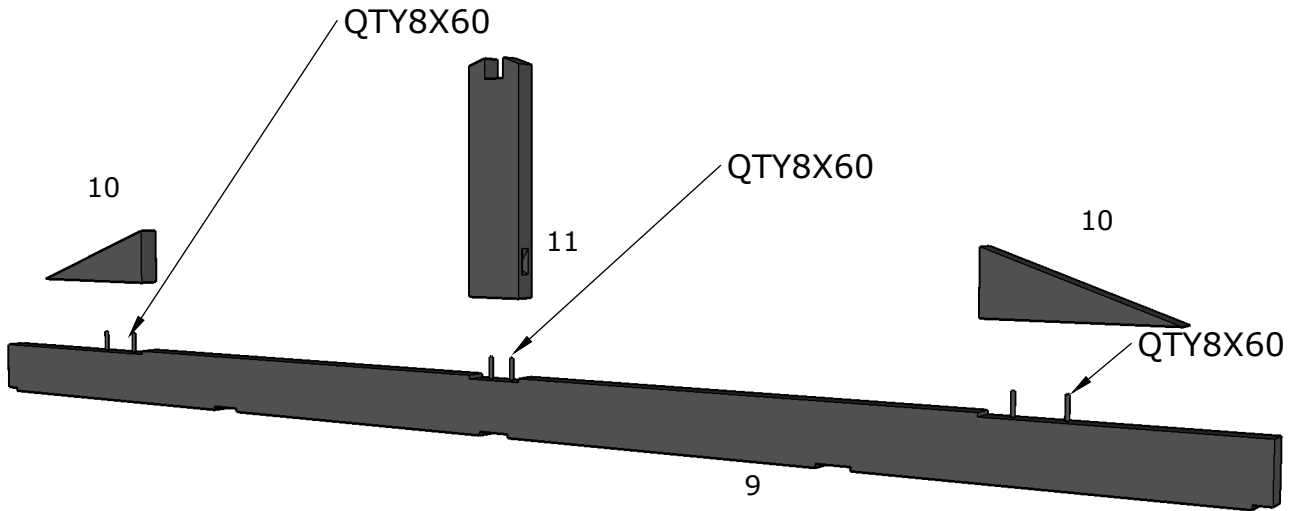
8 x (QKRPP6x150ZnTX)



4 x (QKRPP6x80ZnTX)

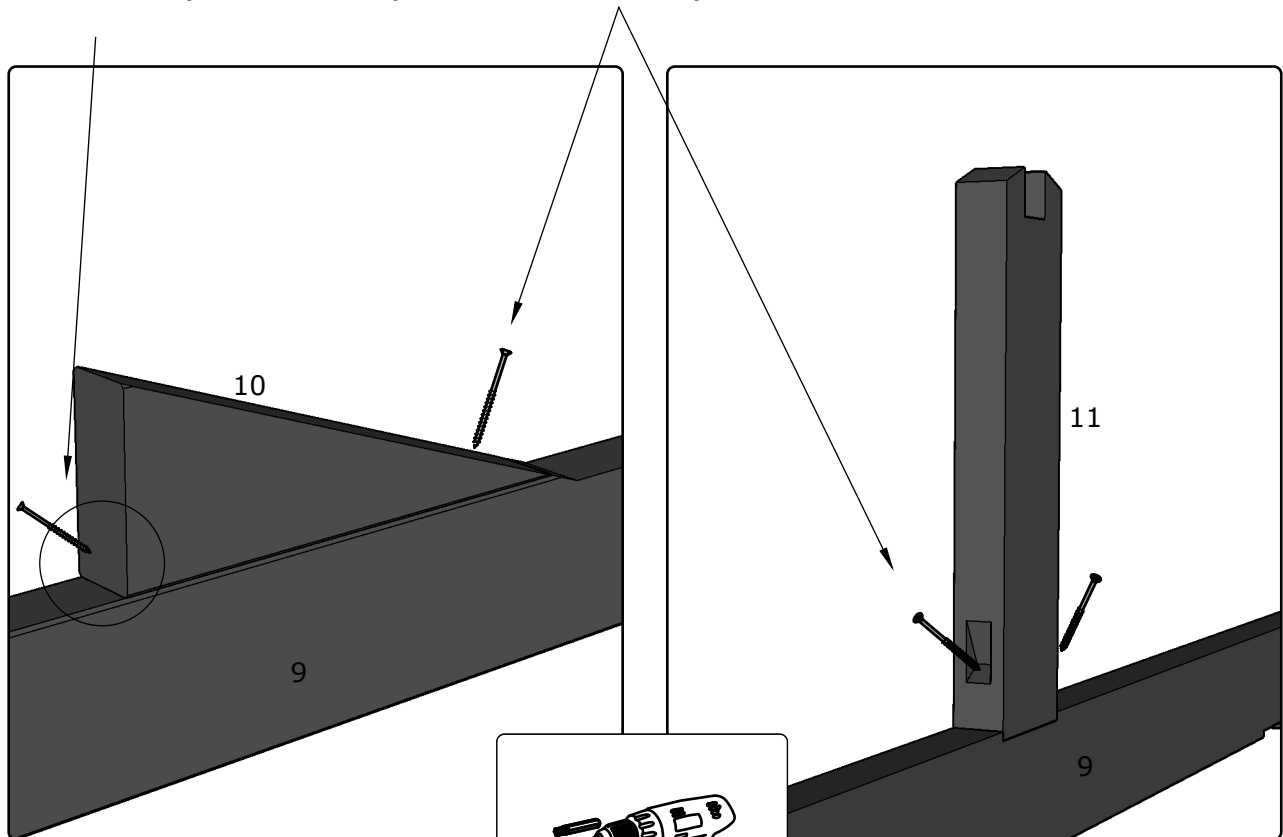


12 X (QTY8X60)




(QKRPP6x80ZnTX)

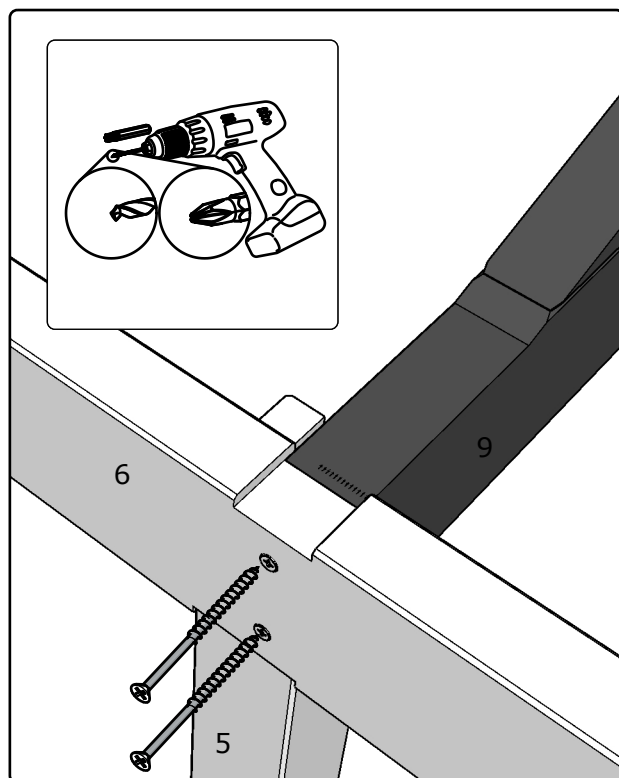
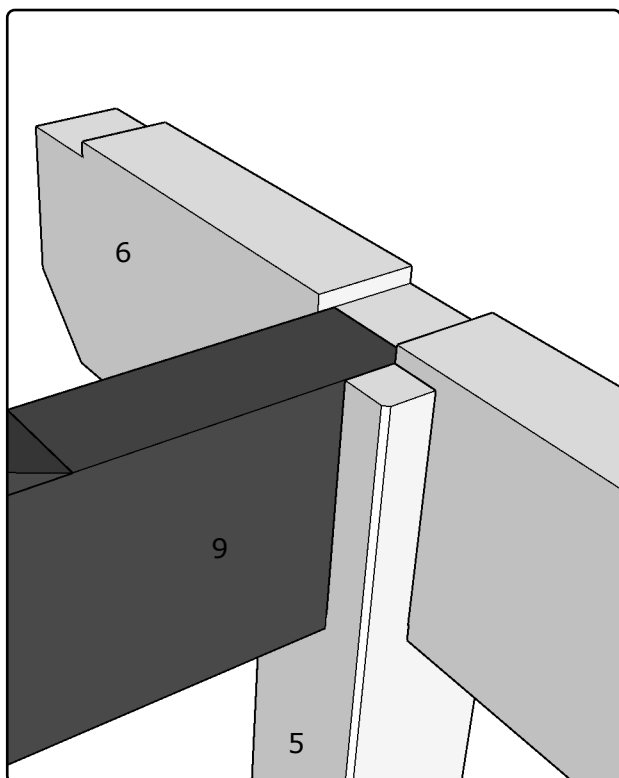
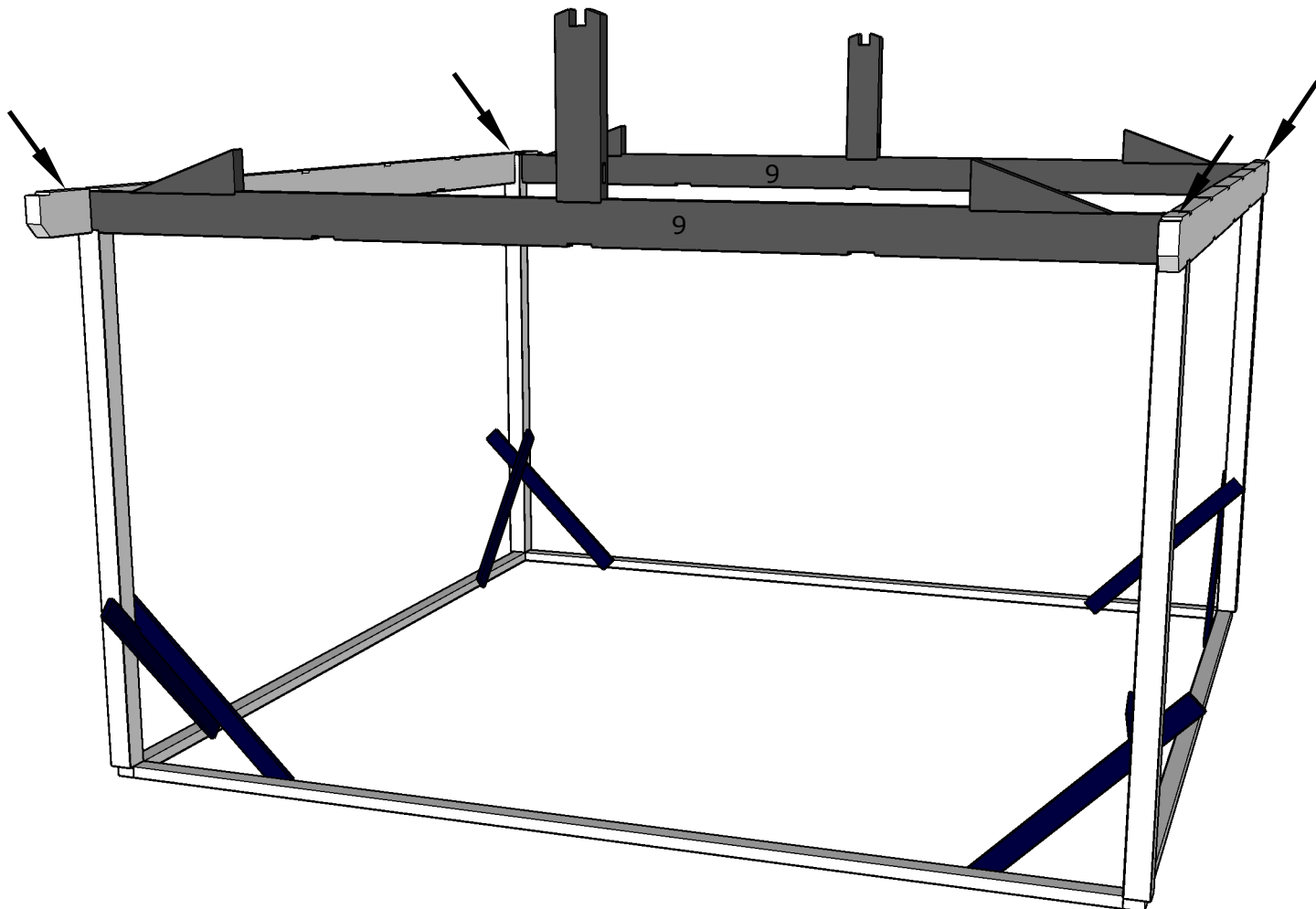
(QKRPP6x150ZnTX)



7

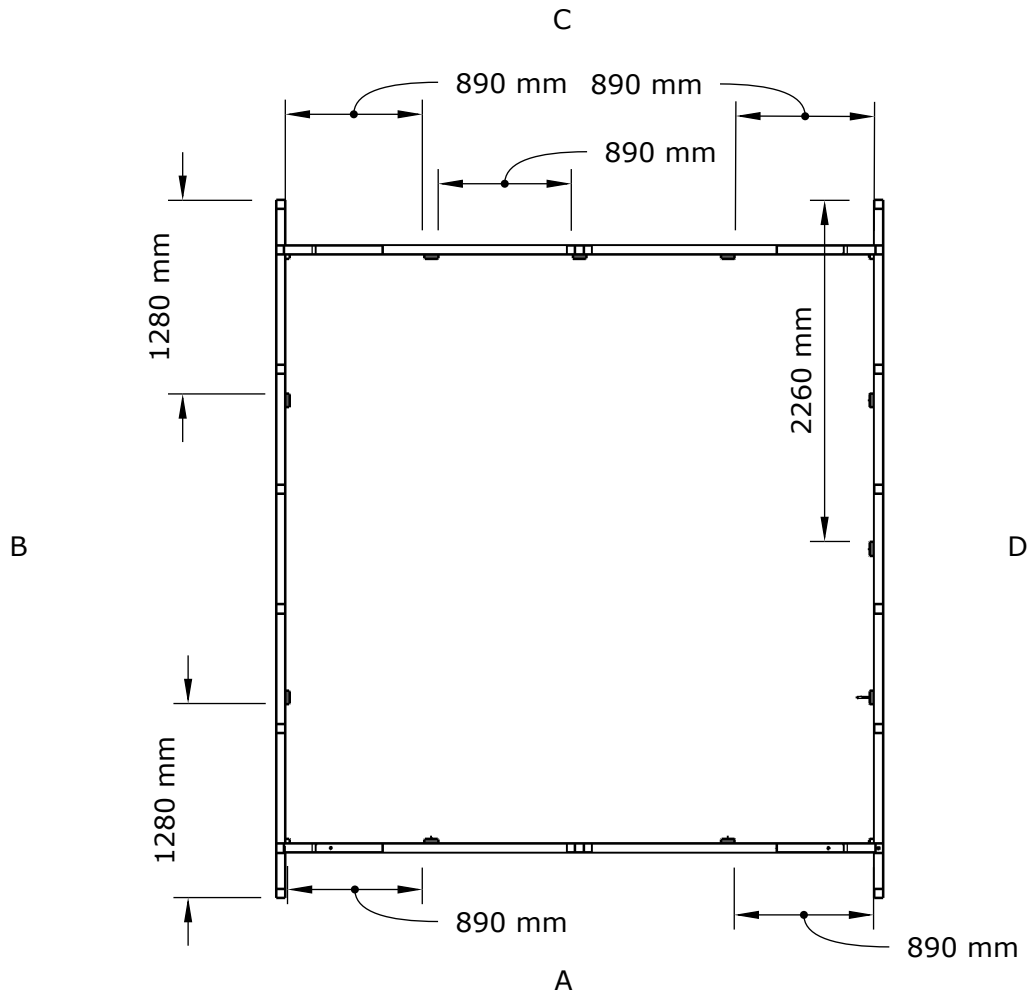
Plan:
Positions: 9

 8 x (QKRPP6x150ZnTX)



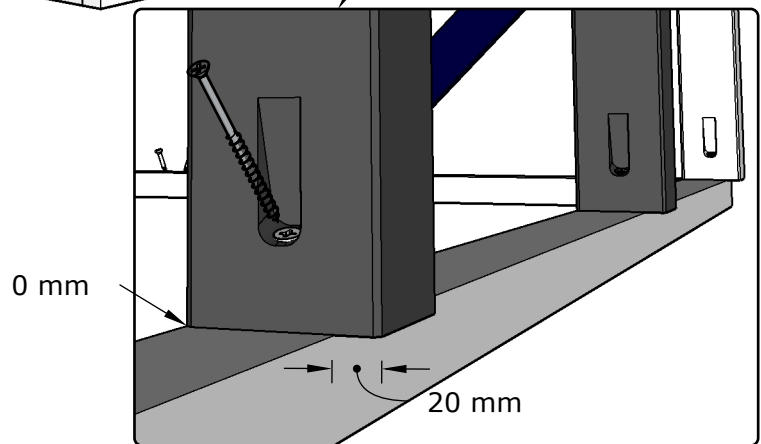
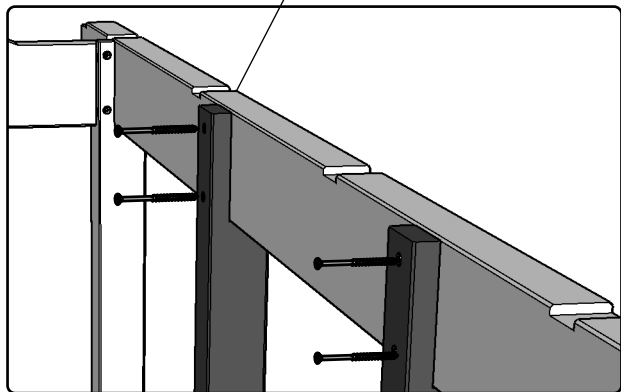
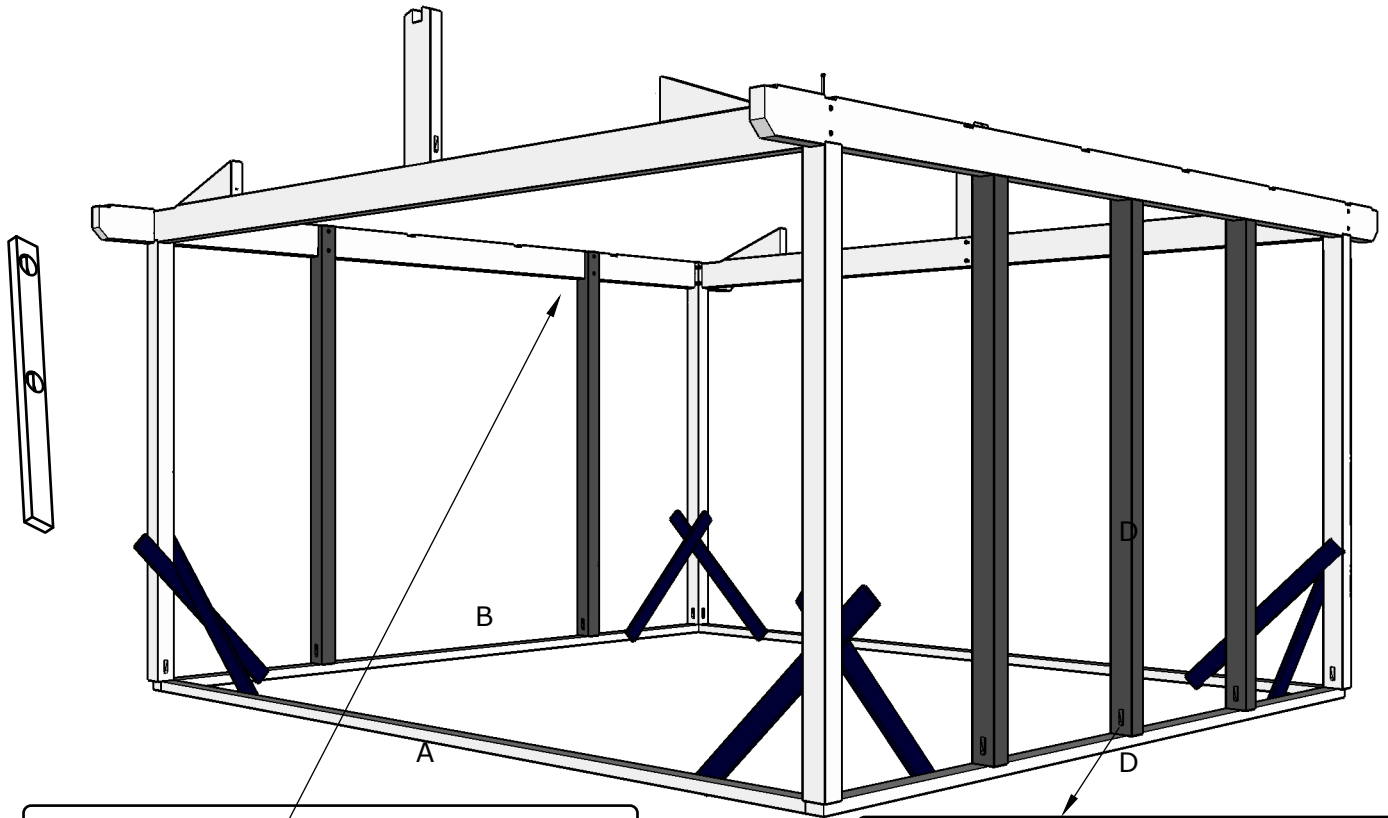
8

Plan:
Positions: 4




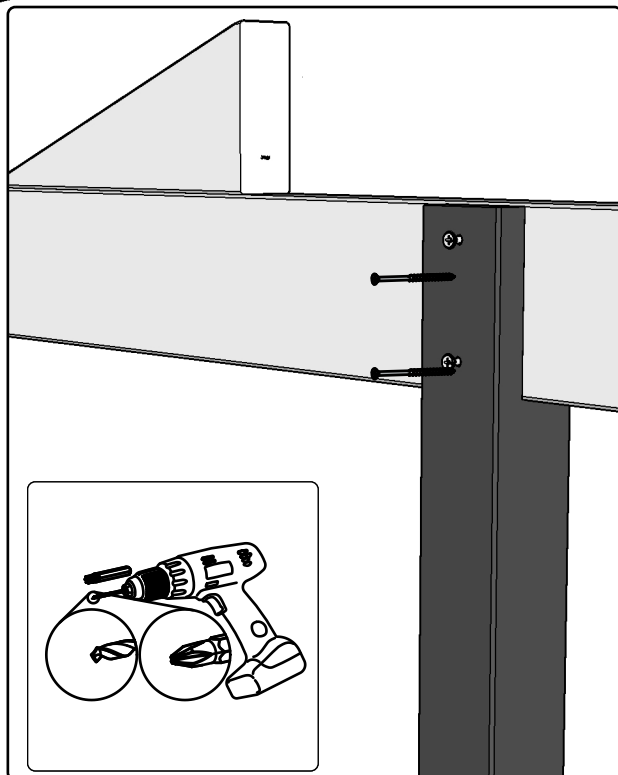
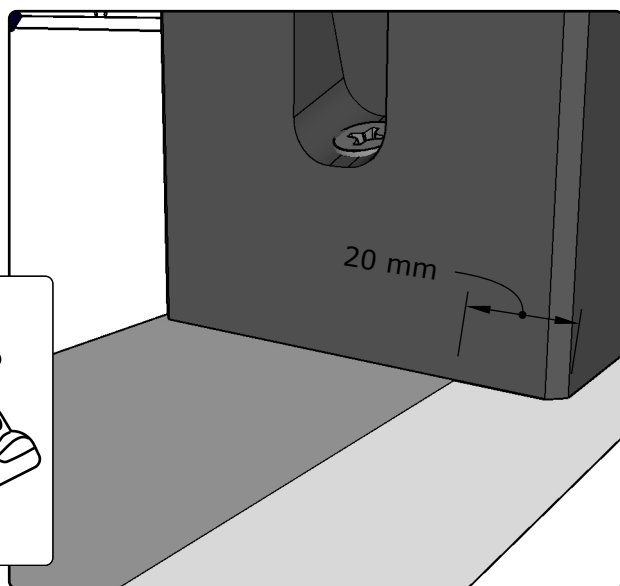
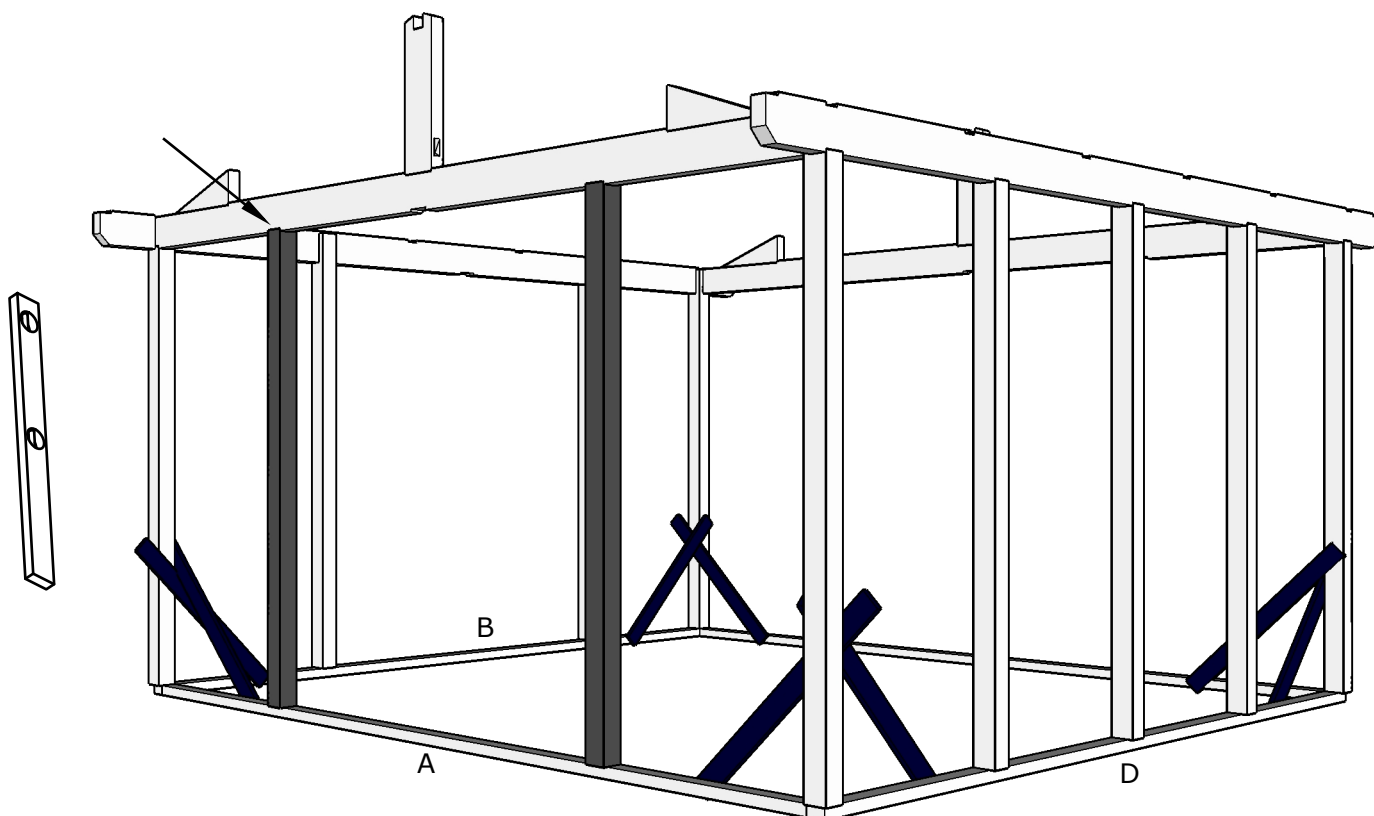
Plan:
Positions: 4

 20 x (QKRPP6x80Zn)




Plan:
Positions: 4

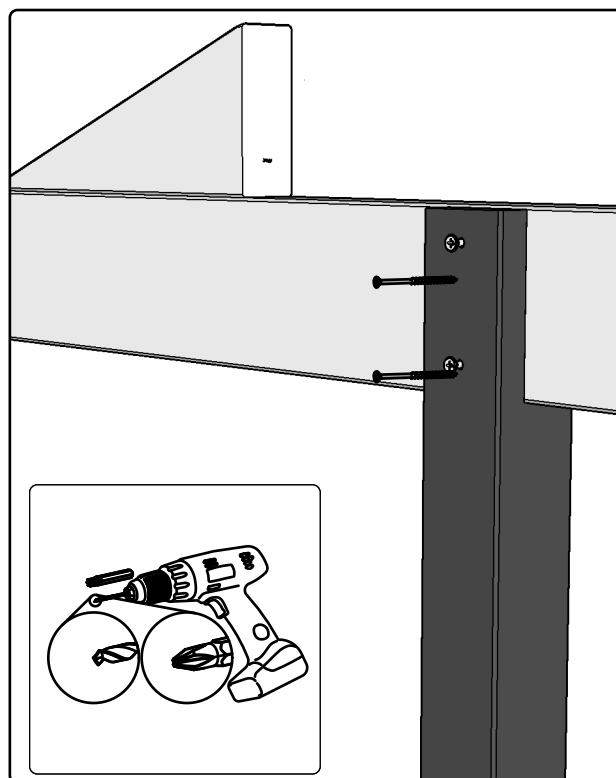
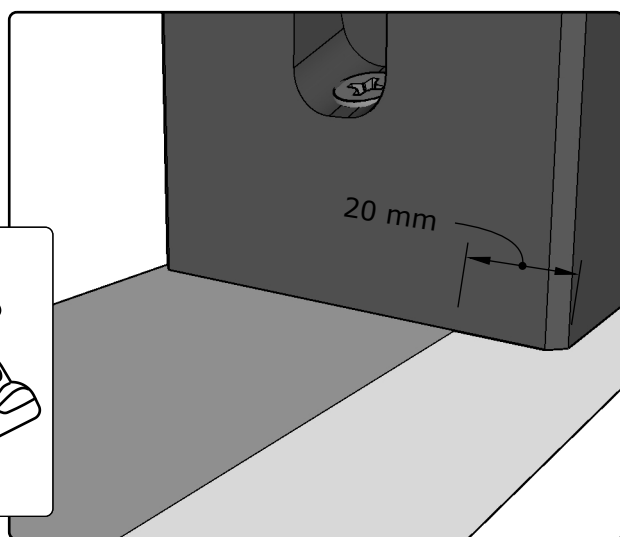
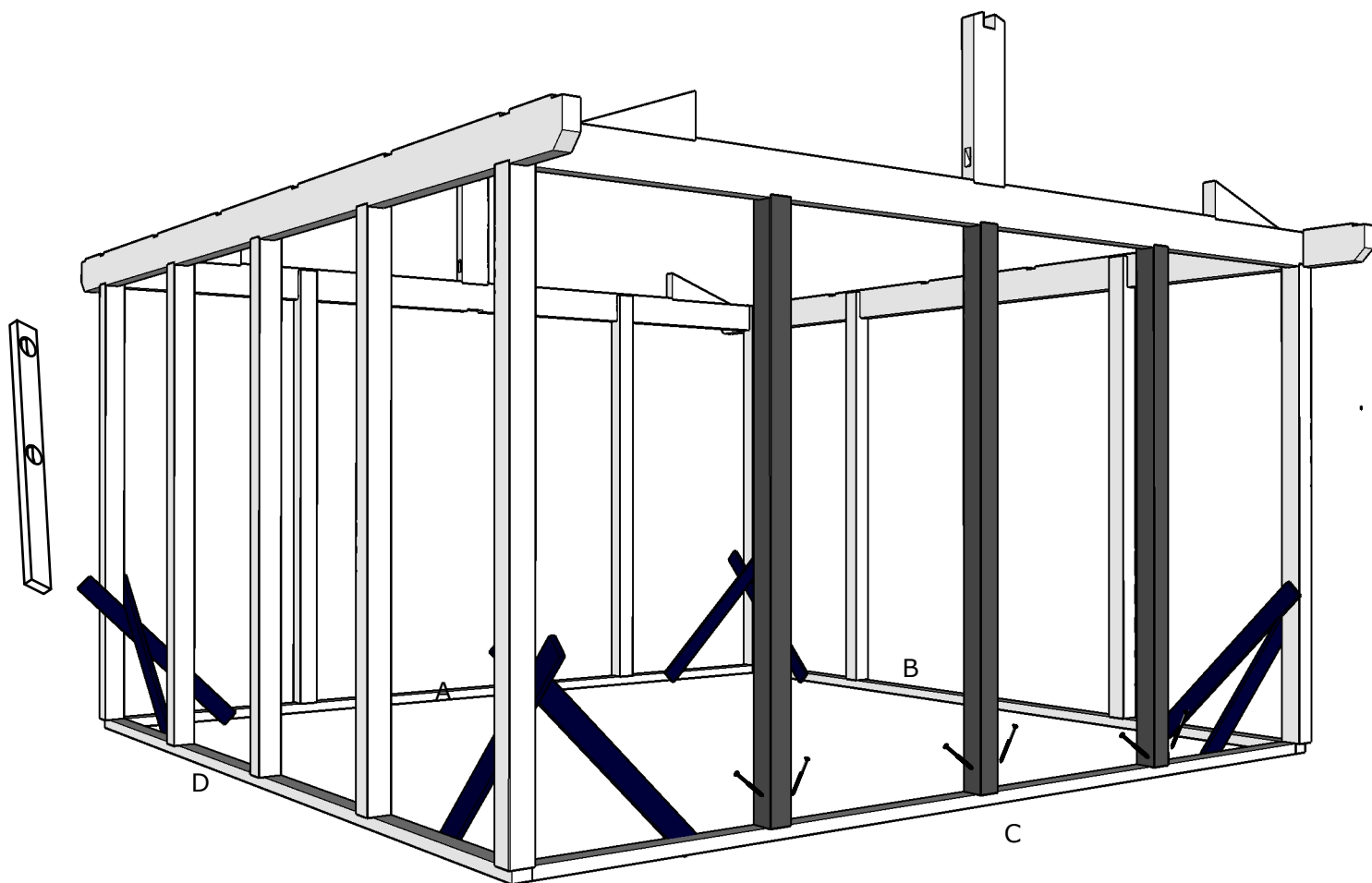
 8 x (QKRPP6x80Zn)



11


Plan:
Positions: 4

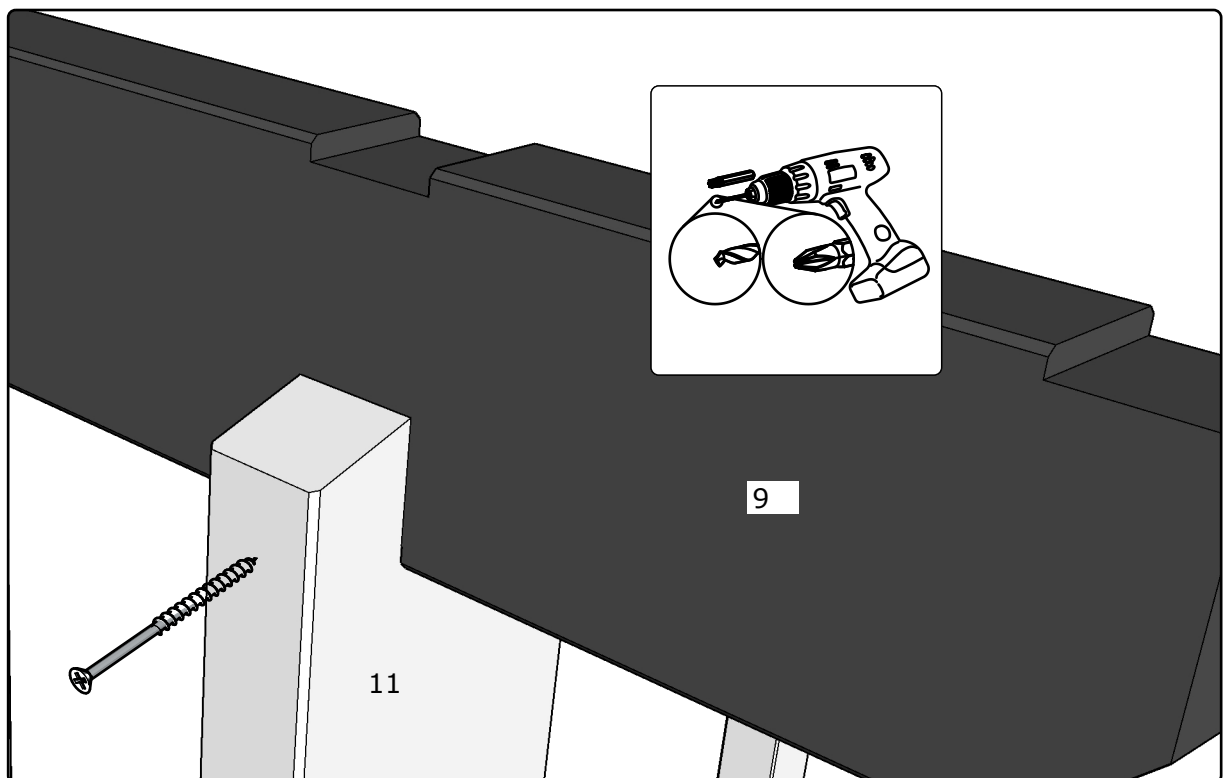
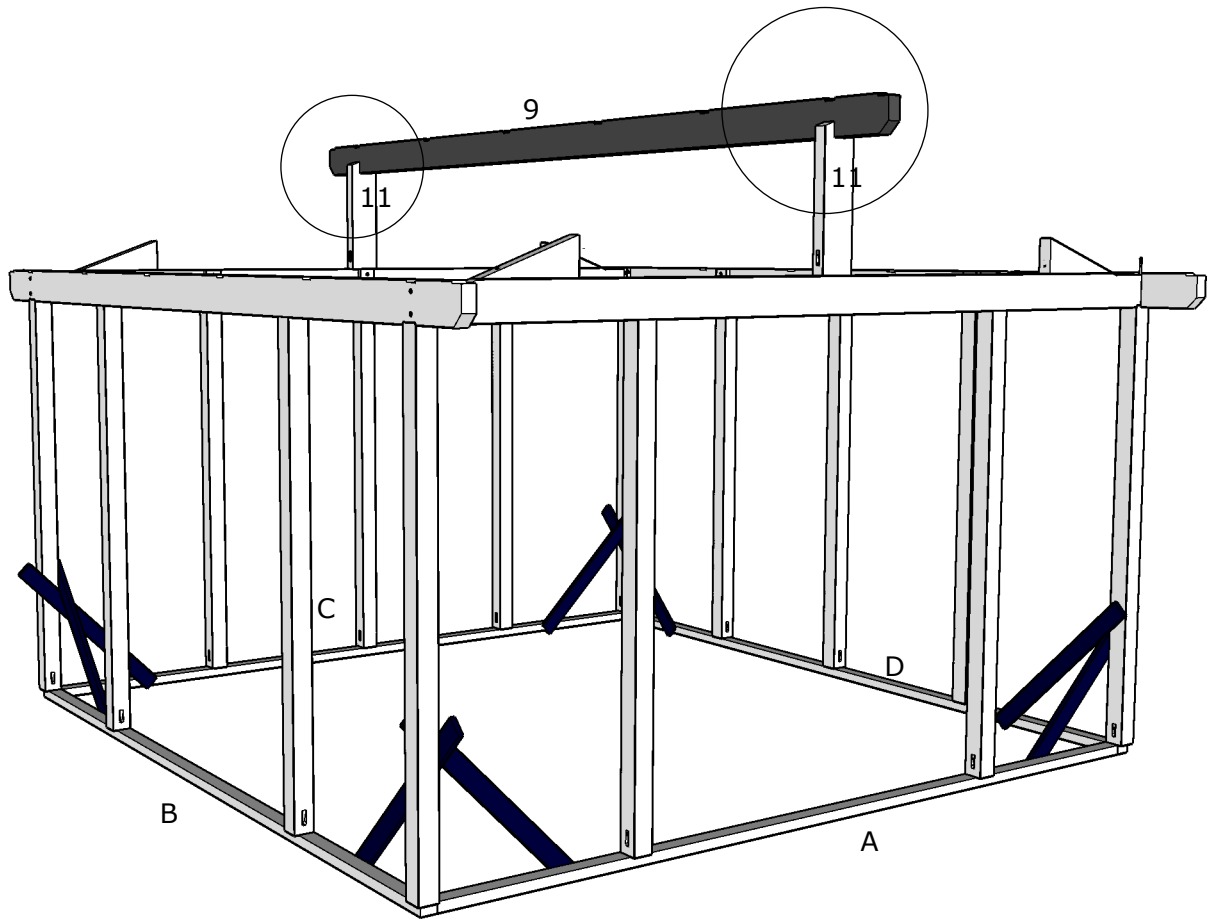
 12 x (QKRPP6x80Zn)



12

Plan:
Positions: 9

 4 x (QKRPP6x150ZnTX)



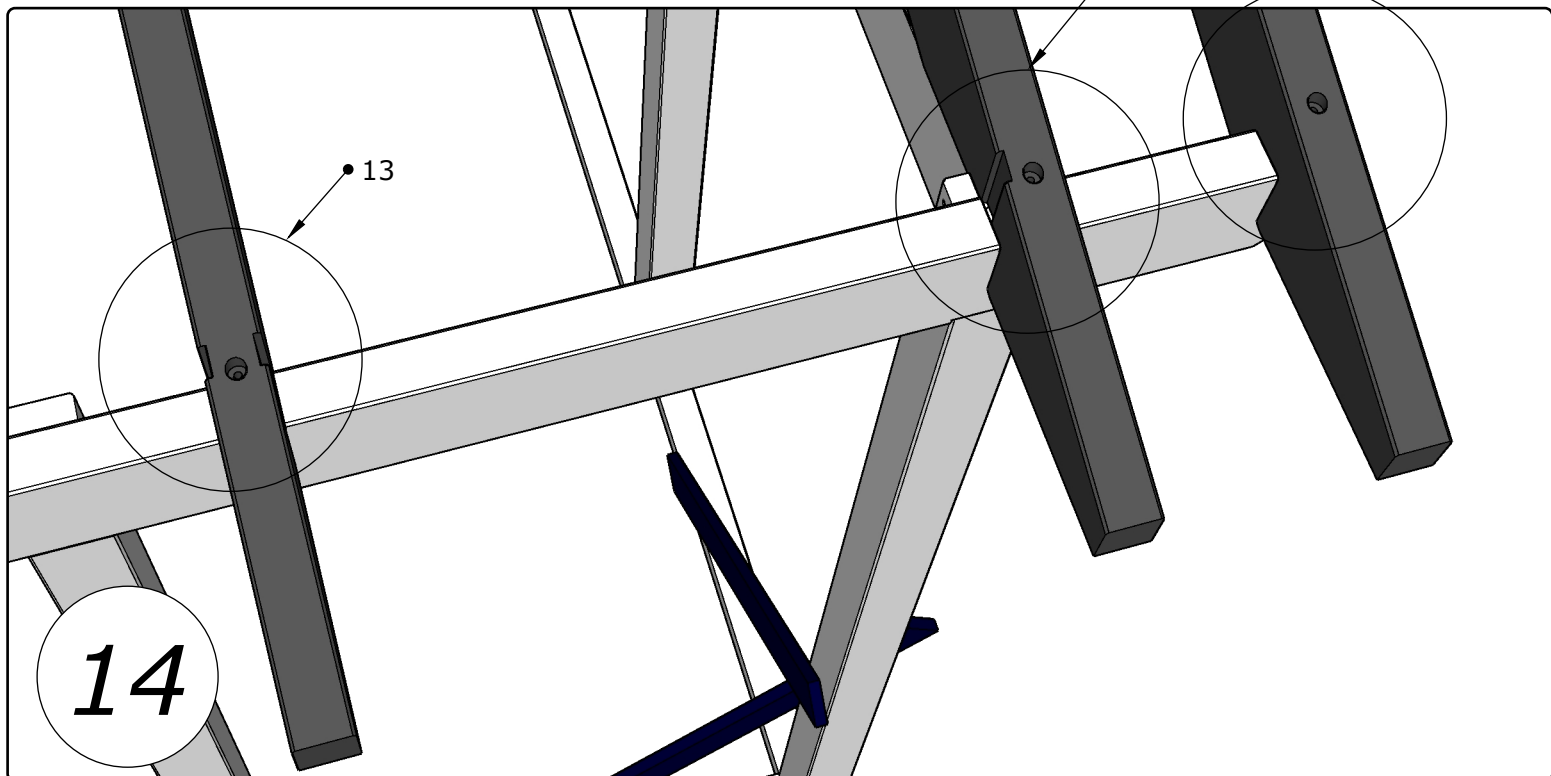
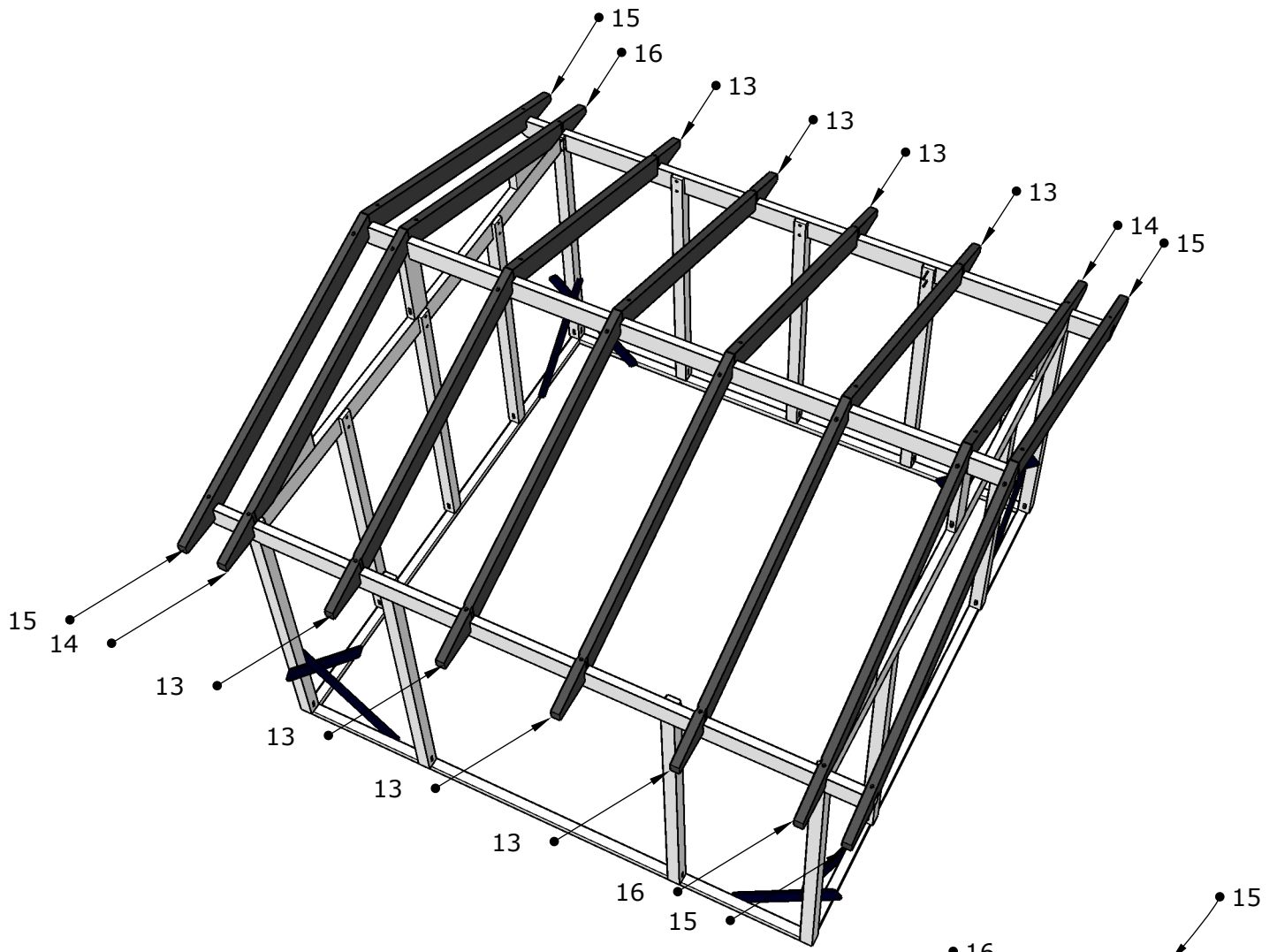
13

Plan:

Positions: 13, 14, 15, 16



32 x (QKRPP6x150ZnTX)

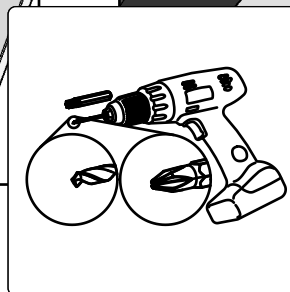
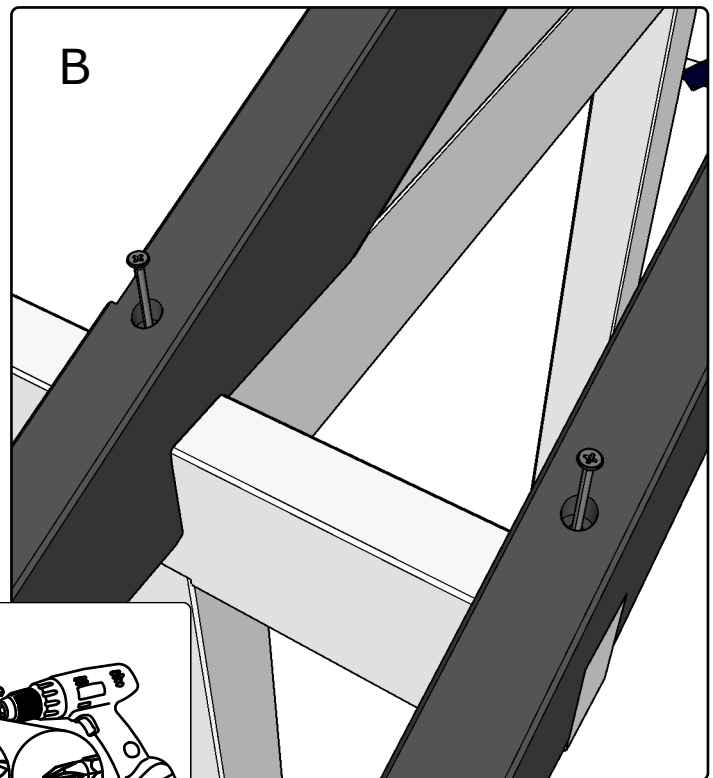
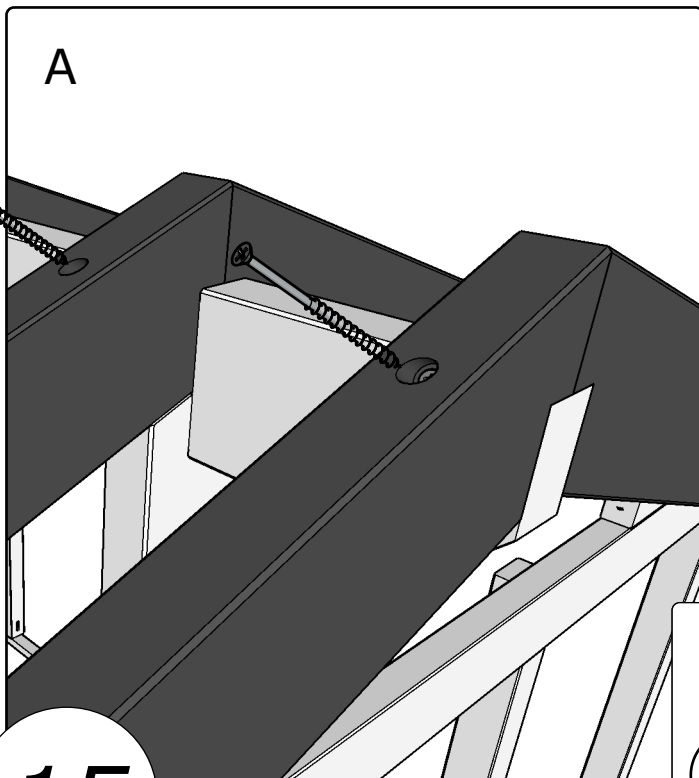
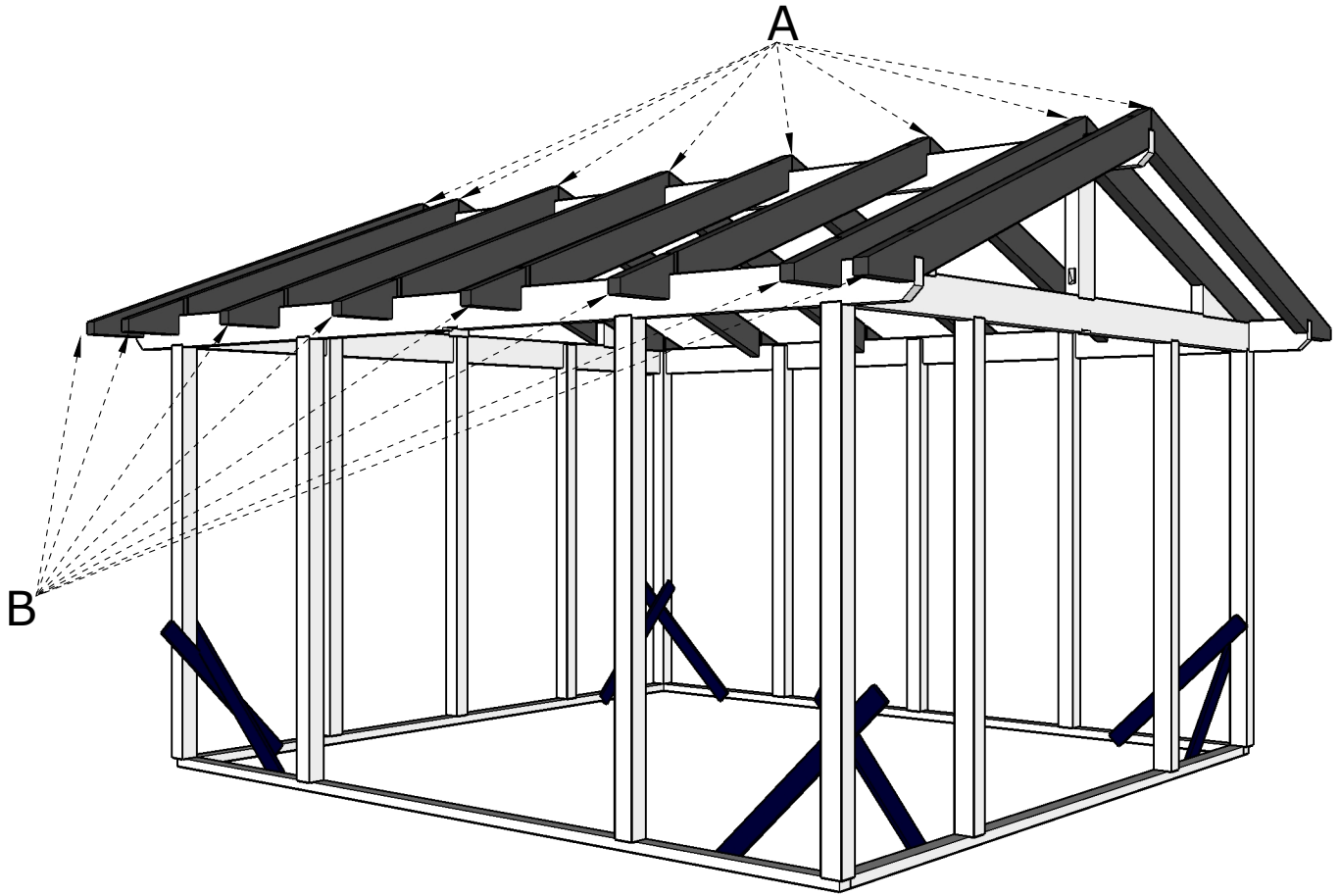


Plan:

Positions: 13, 14, 15, 16

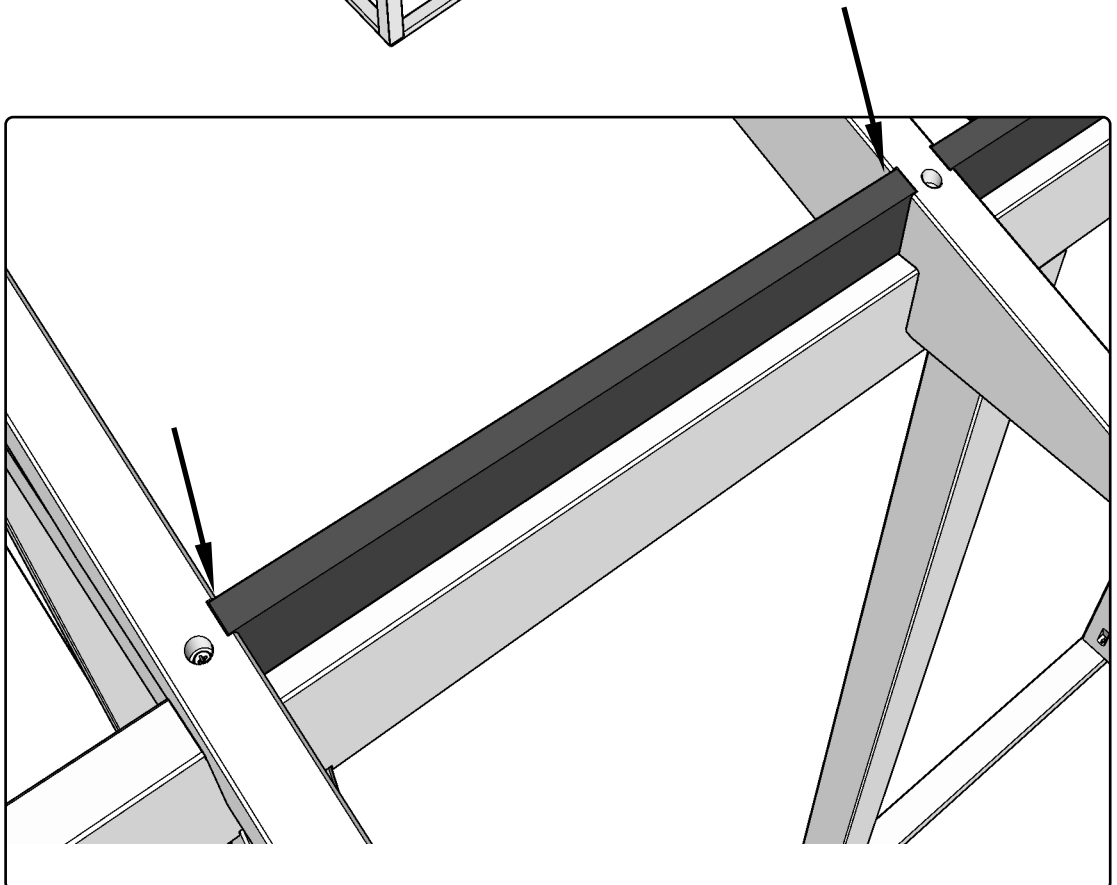
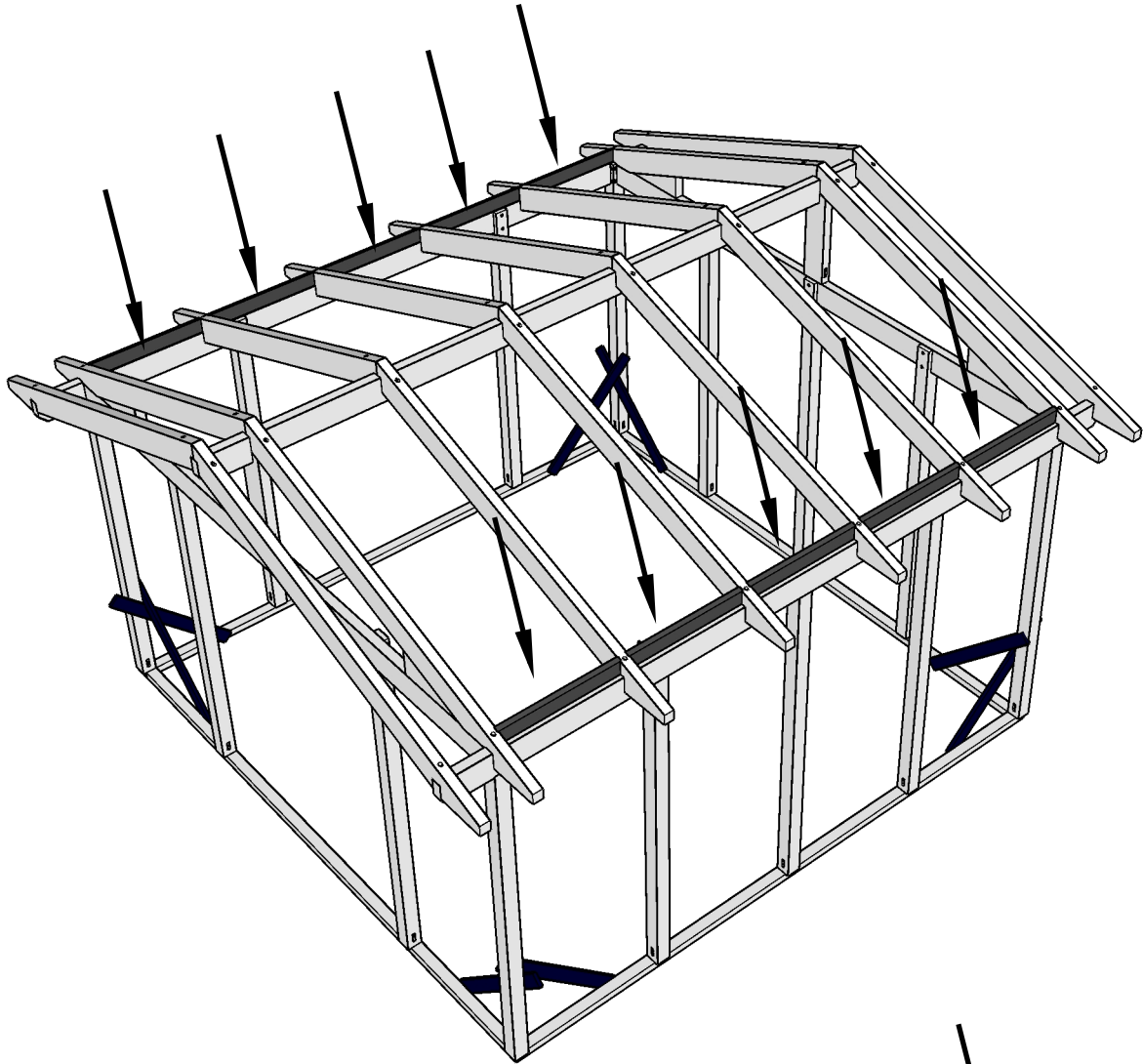


32 x (QKRPP6x150ZnTX)



15

Plan:
Positions: 18

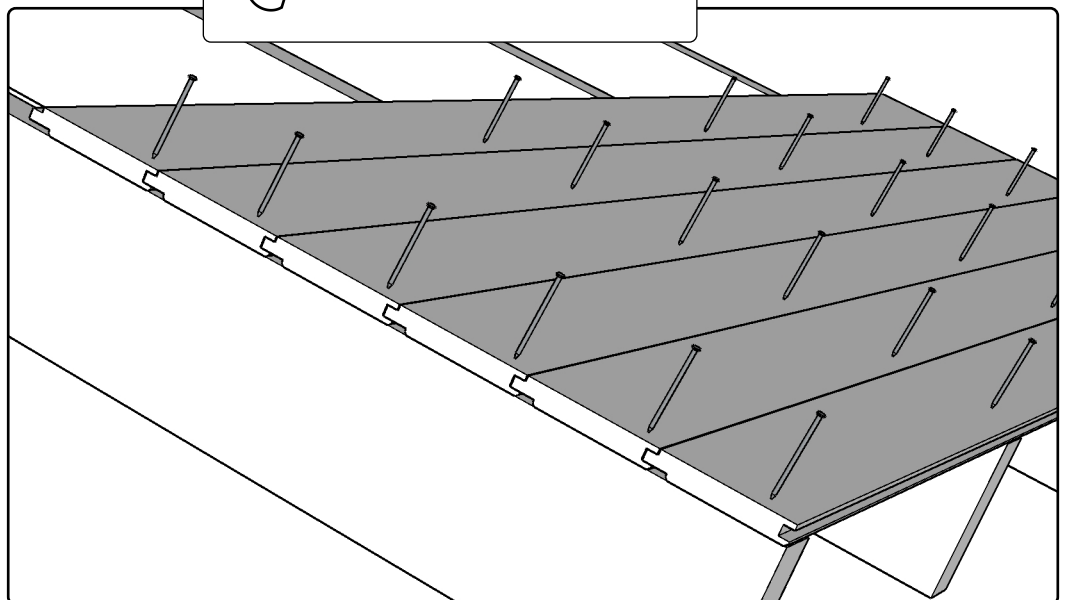
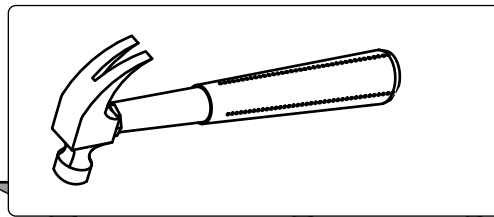
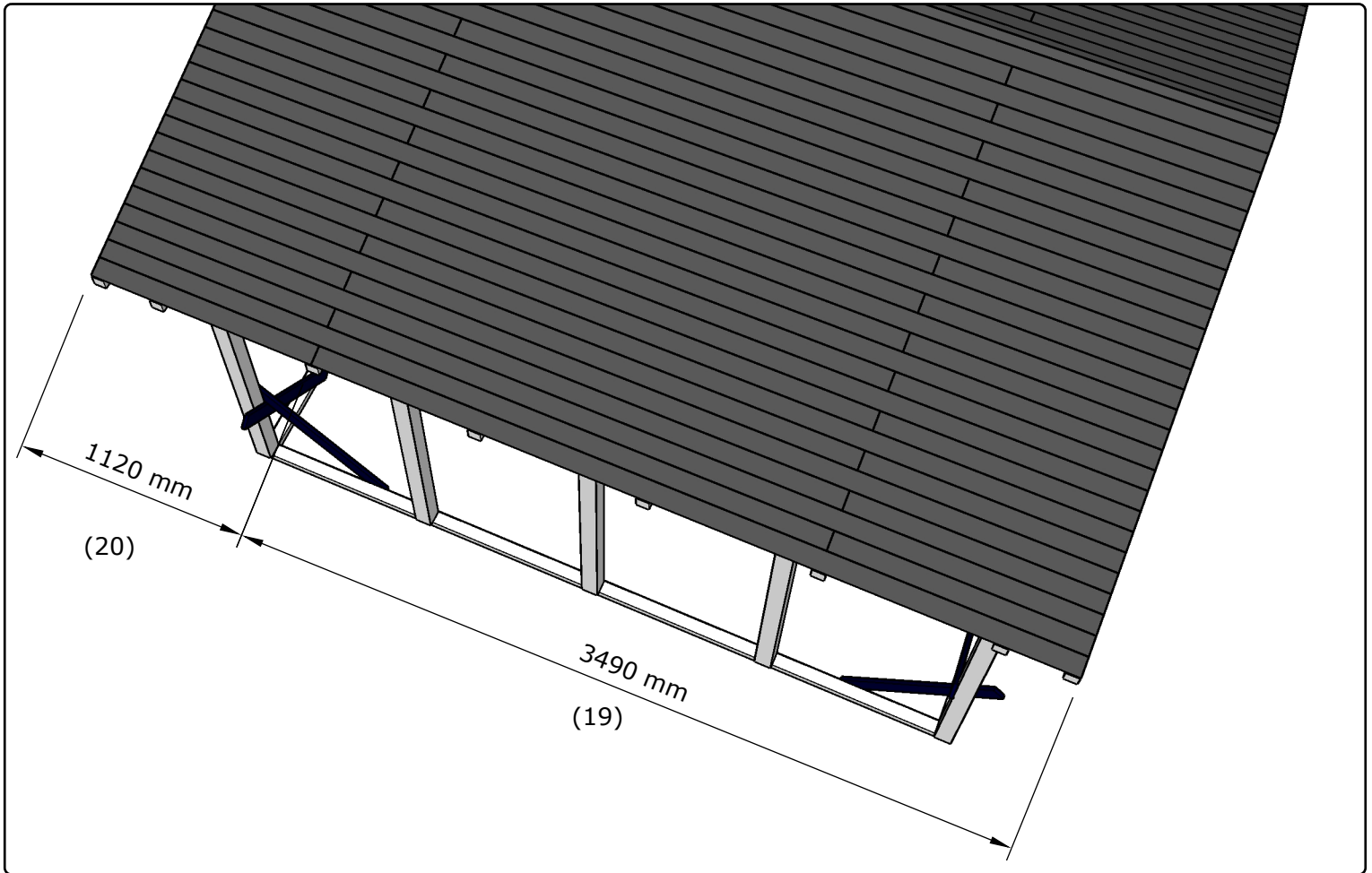


16

Plan:
Positions: 19, 20



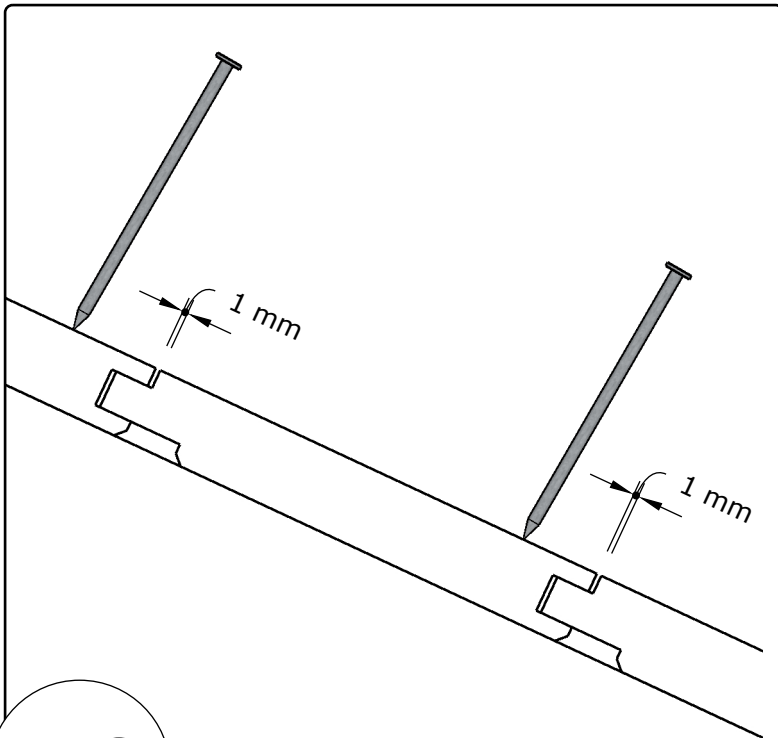
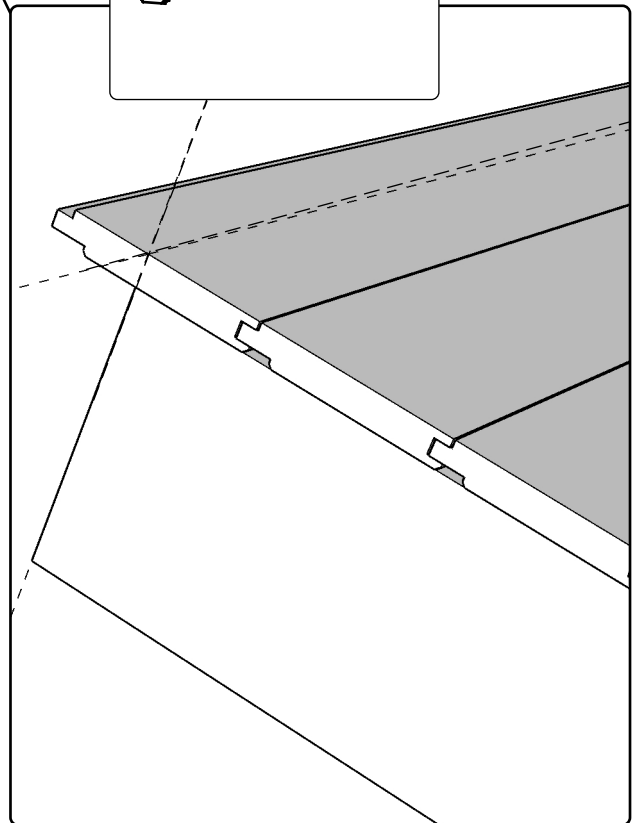
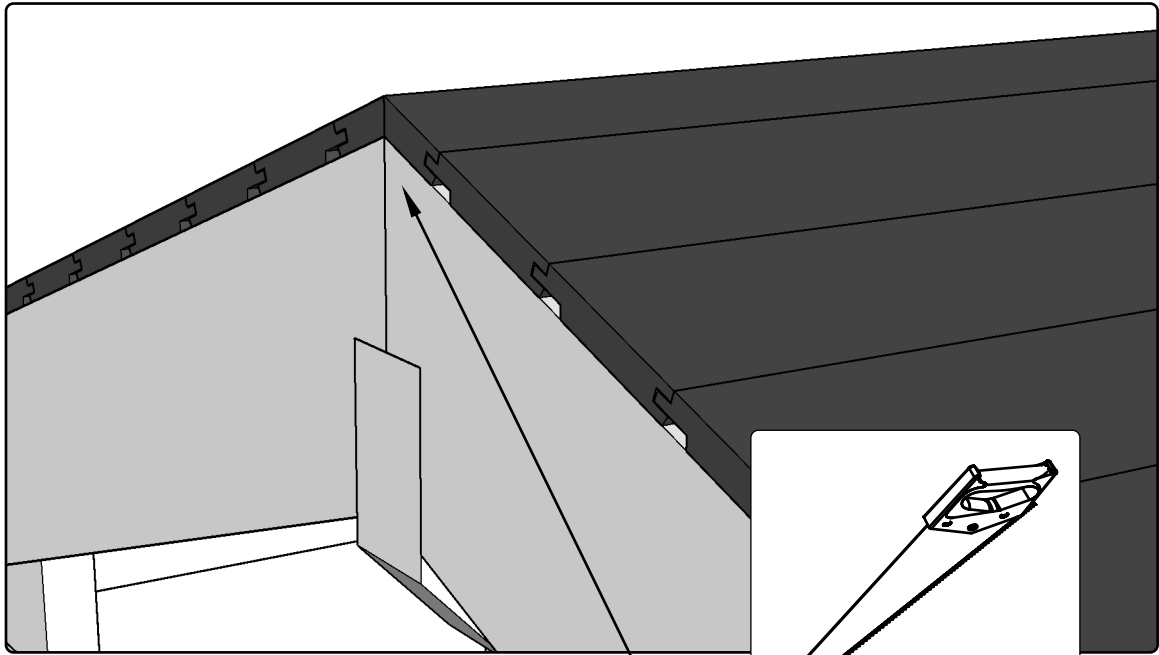
1000 x (QNA2_2x50Zn)



Plan:
Positions: 19, 20

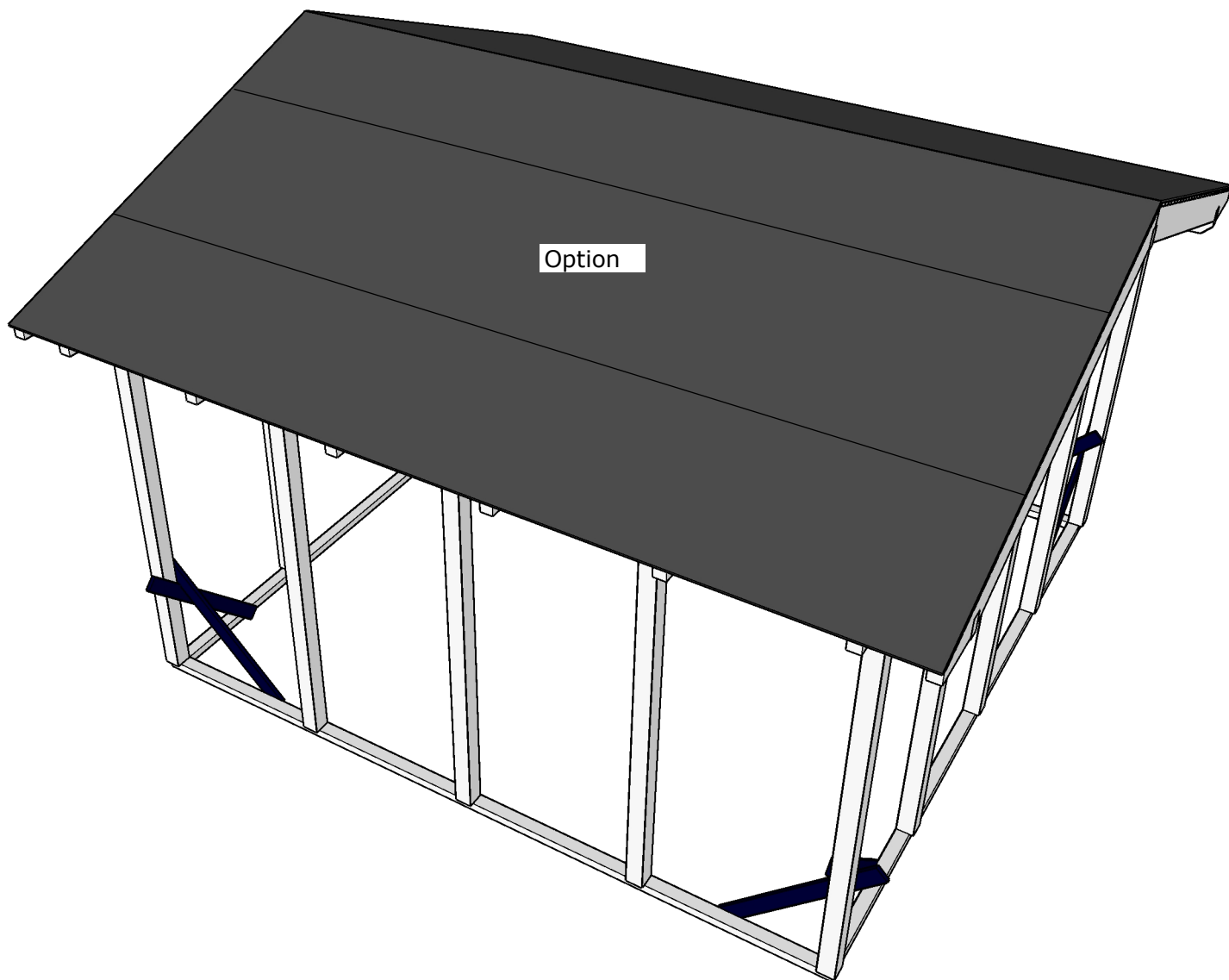


1000 x (QNA2_2x50Zn)




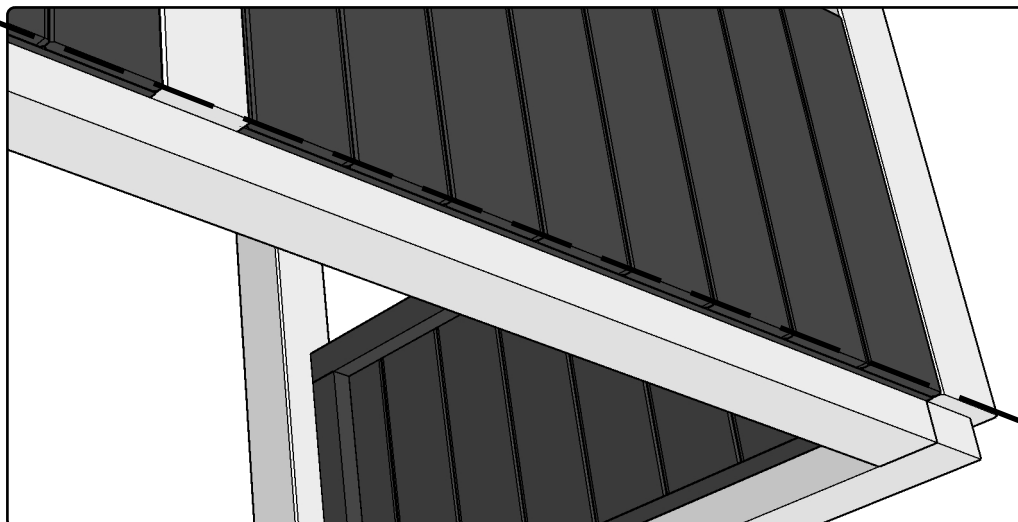
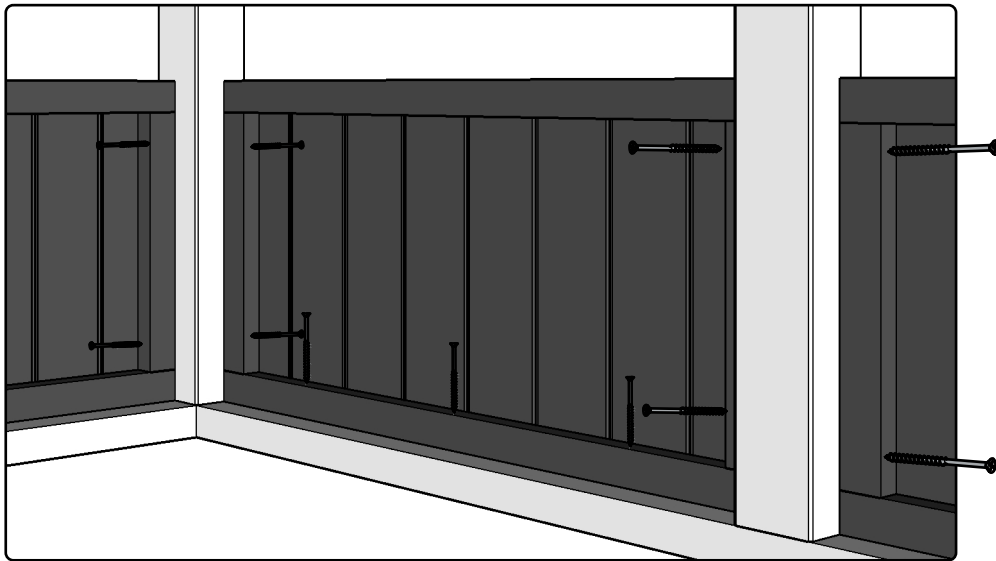
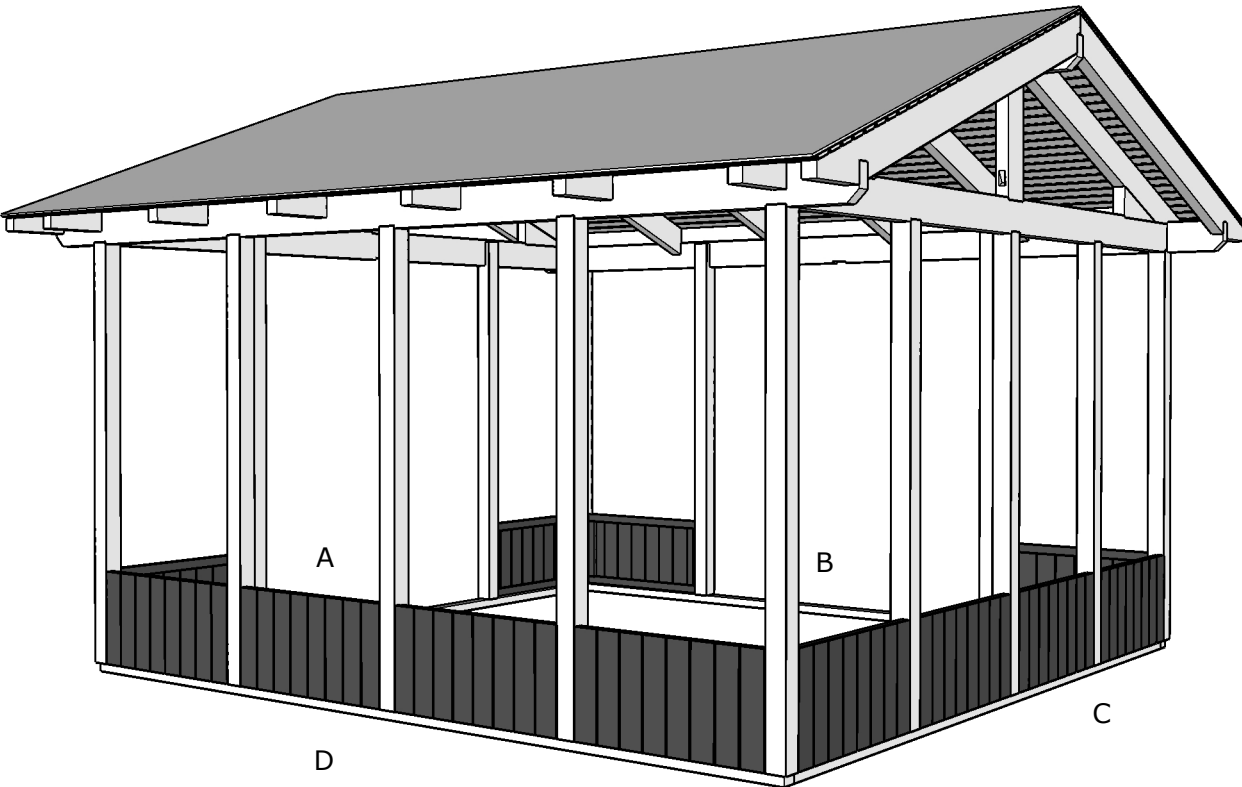
18

Plan:
Positions:



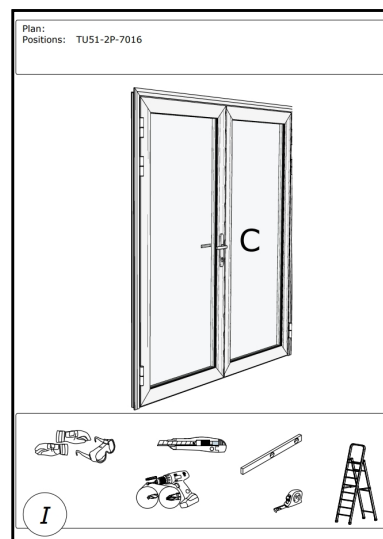
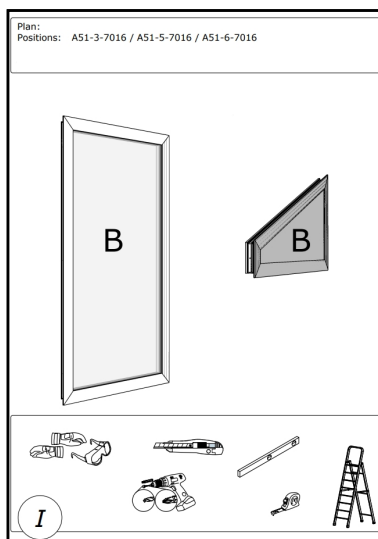
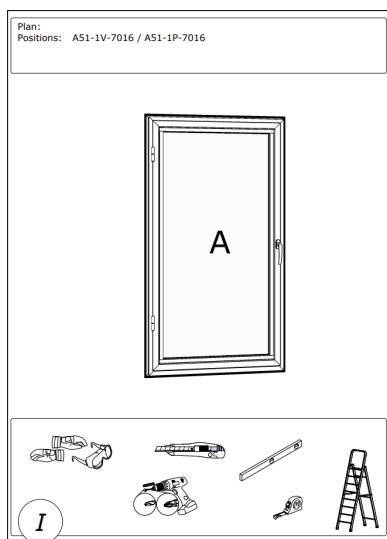
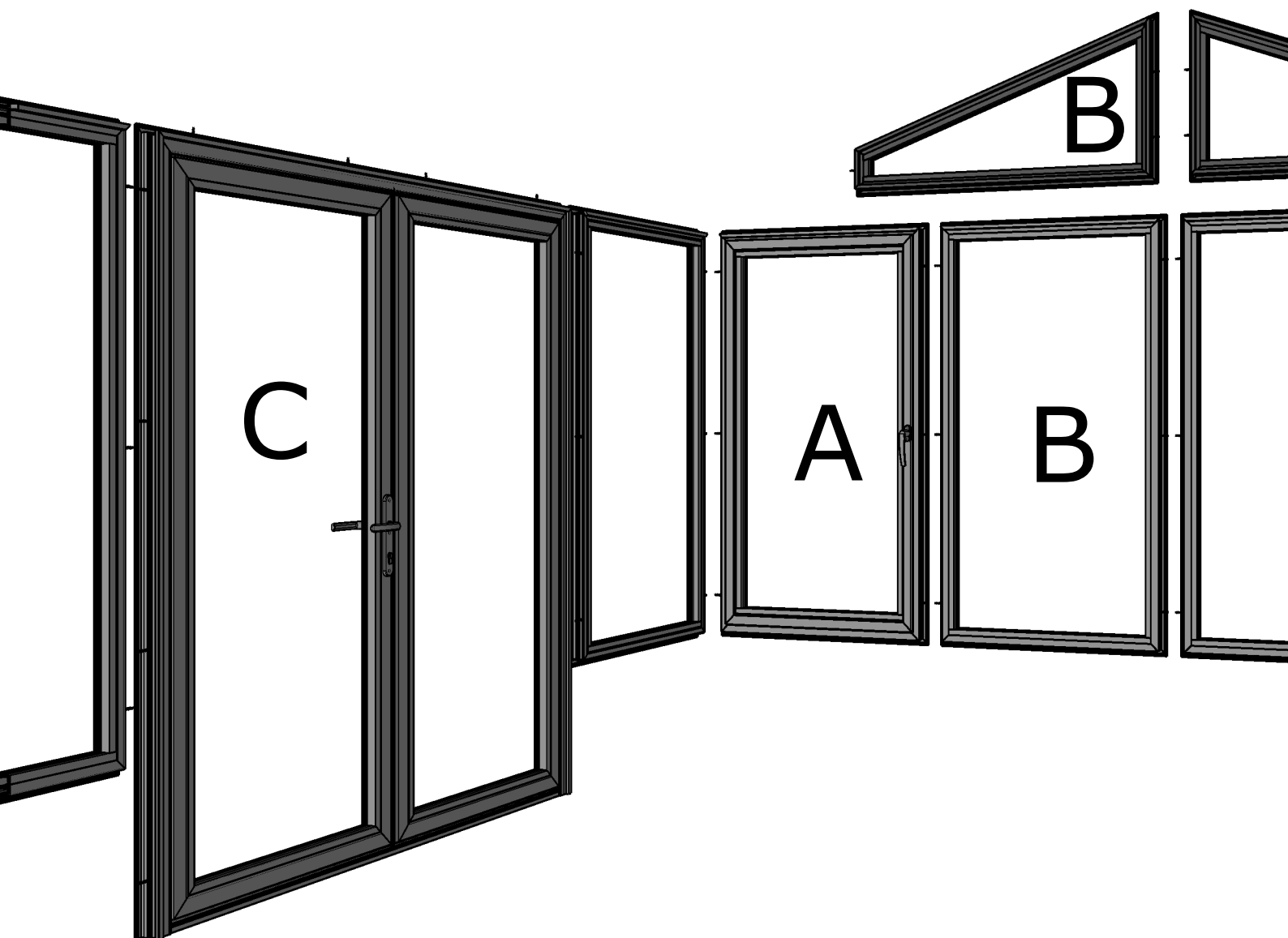
Plan:
Positions: EL1

 100 x (QKRPP5x90Zn)




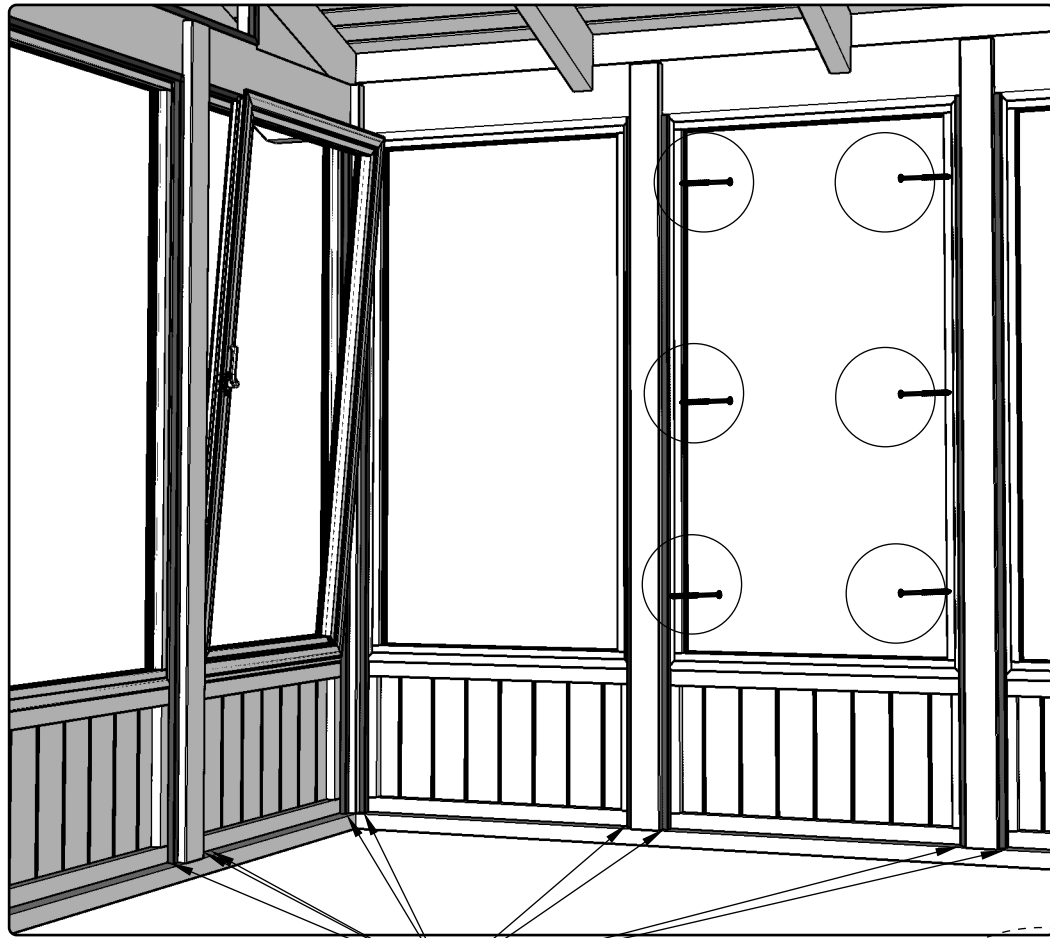
Plan:

Positions: A51-1V-7016 / A51-1P-7016 / A51-3-7016

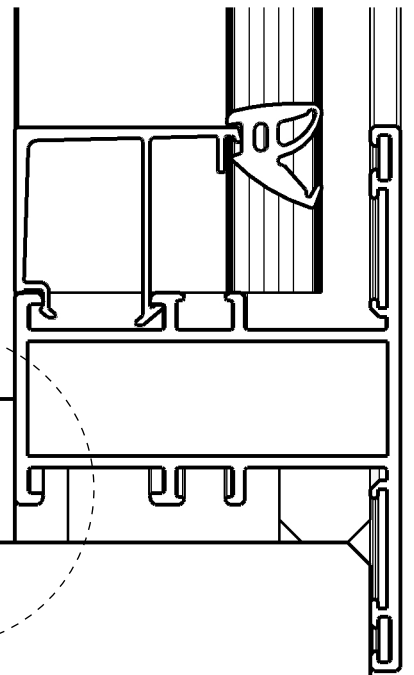


Plan:
Positions: 24

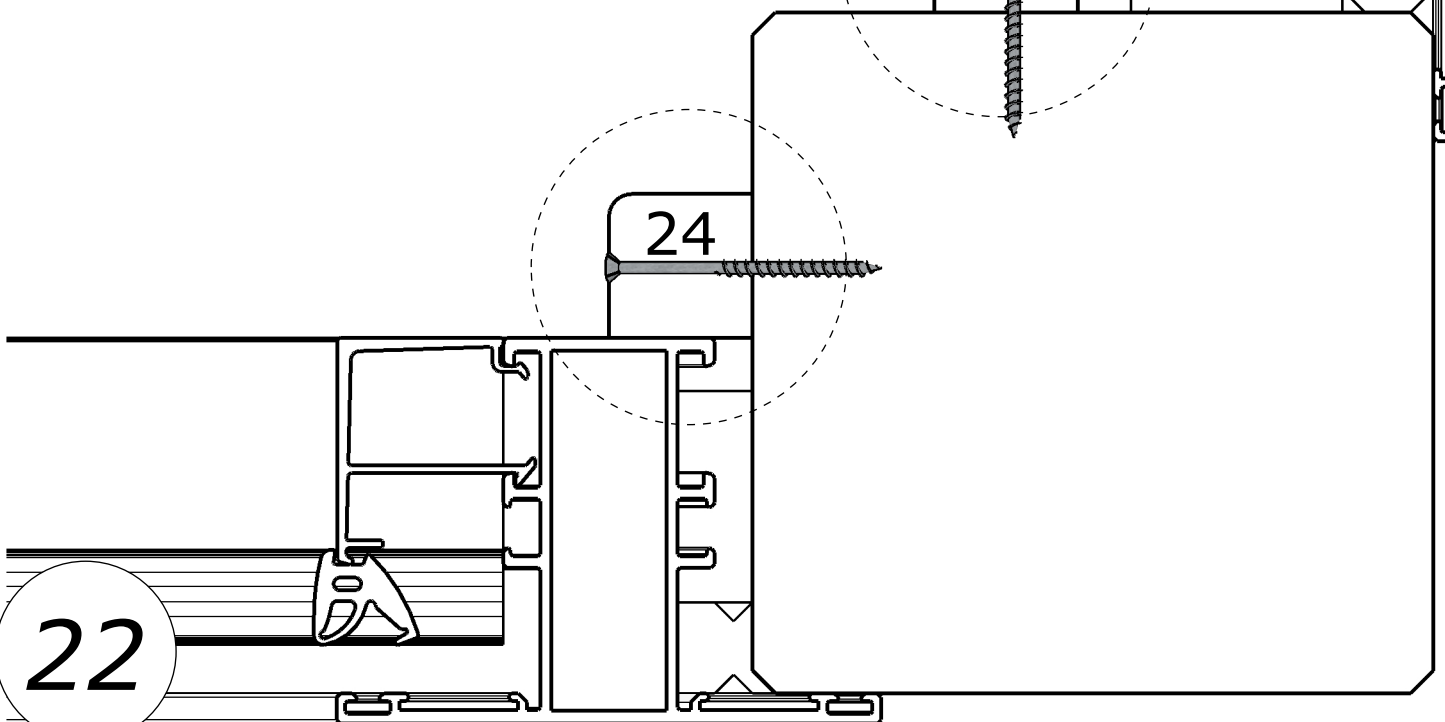
 72 x (QKRPP3x35Zn)



3



24



24

22

Plan:
Positions: 24



24 x (QKRPP3x35Zn)



Plan:
Positions: 3

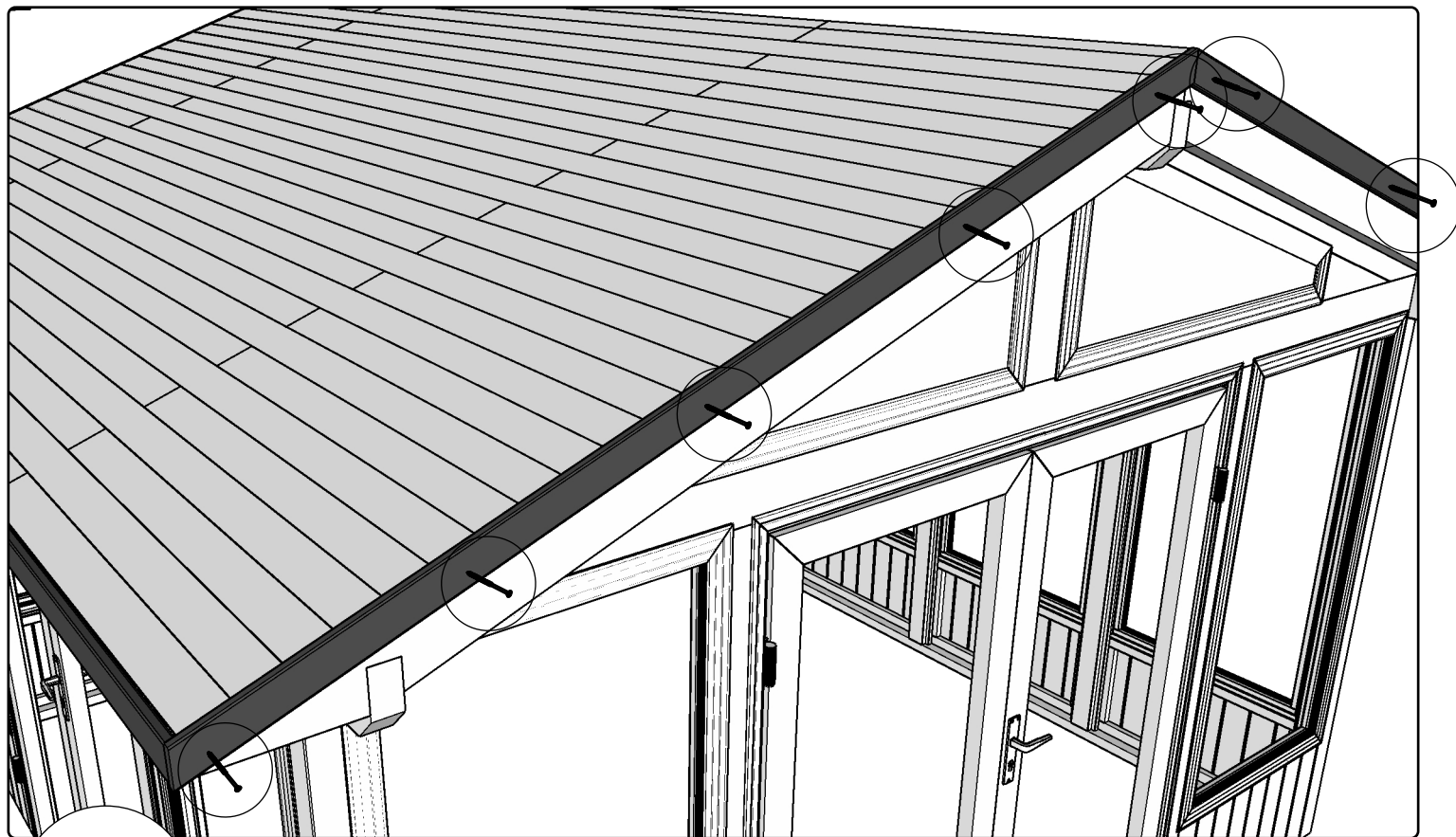
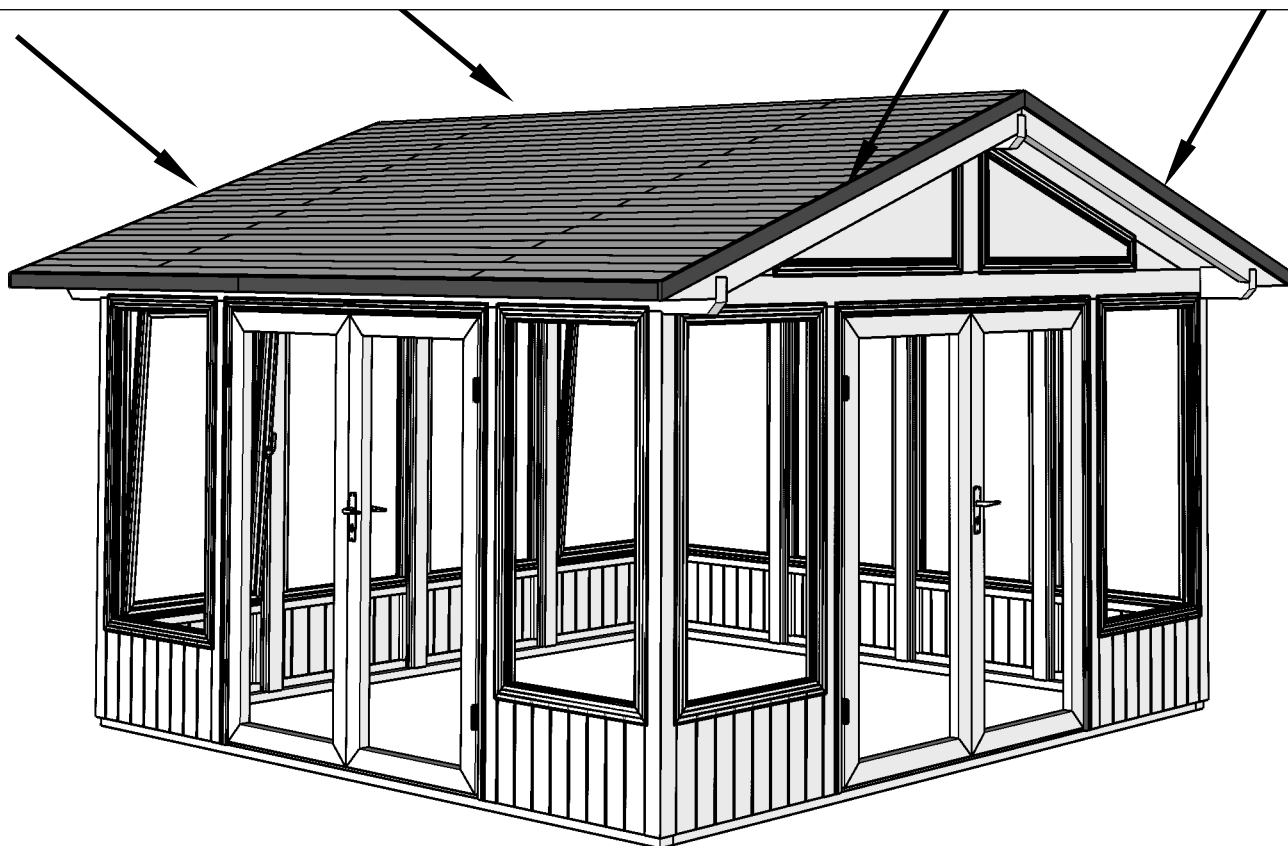
 8 x (QKRPP4_5x50Zn)



Plan:
Positions: 4



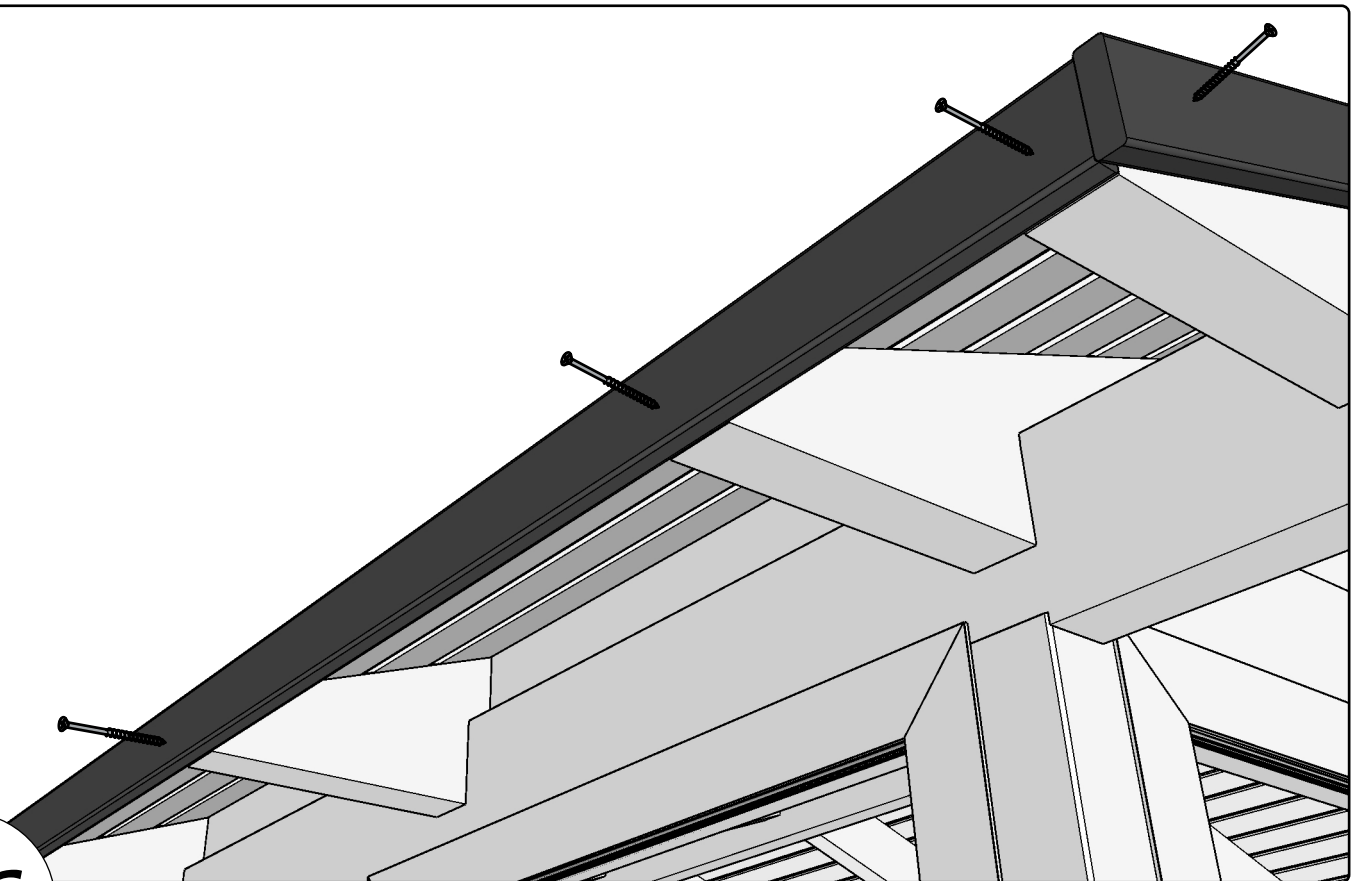
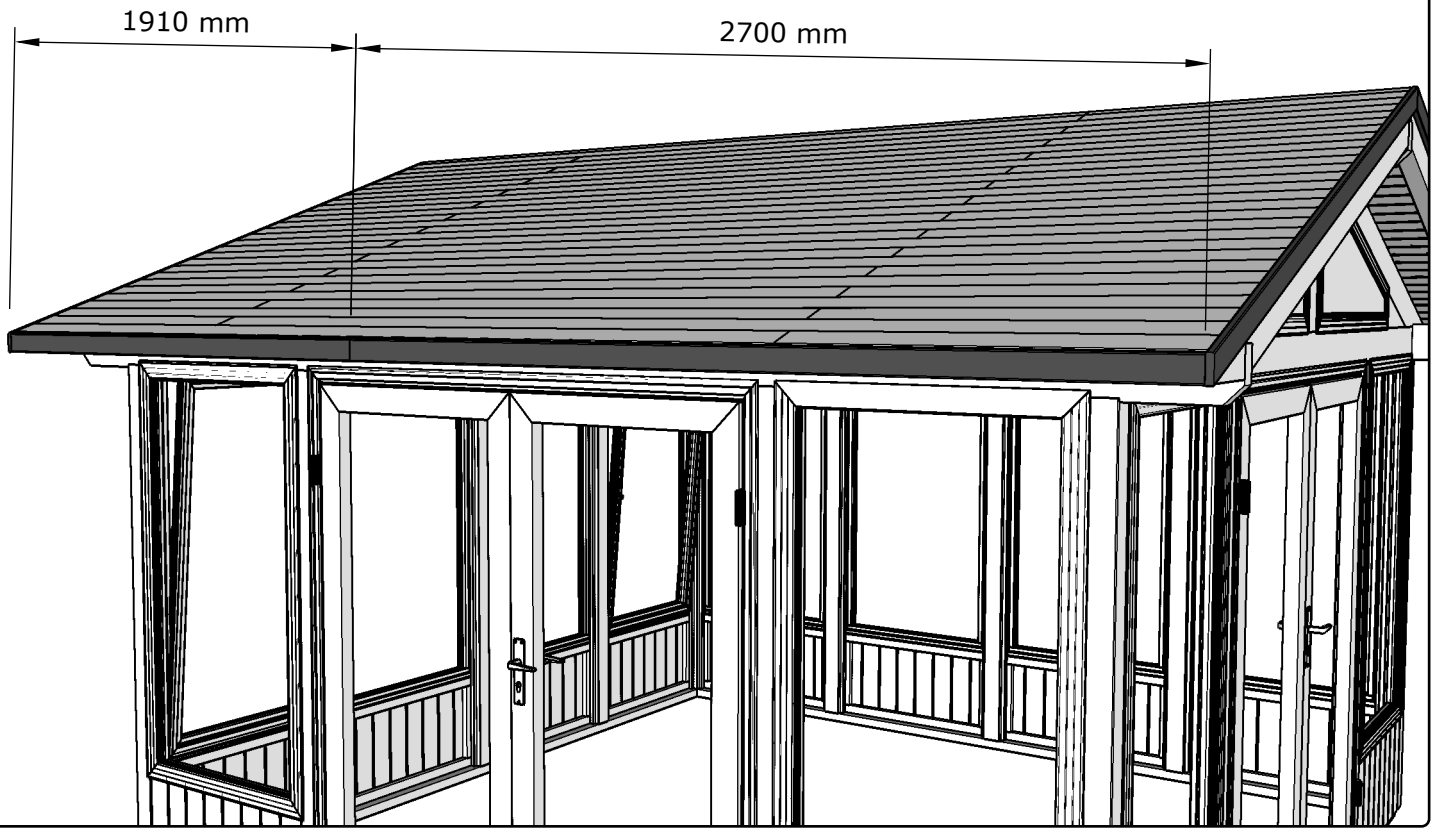
20 x (QKRPP4_5x50Zn)



Plan:
Positions: 22, 23



18 x (QKRPP4_5x50Zn)

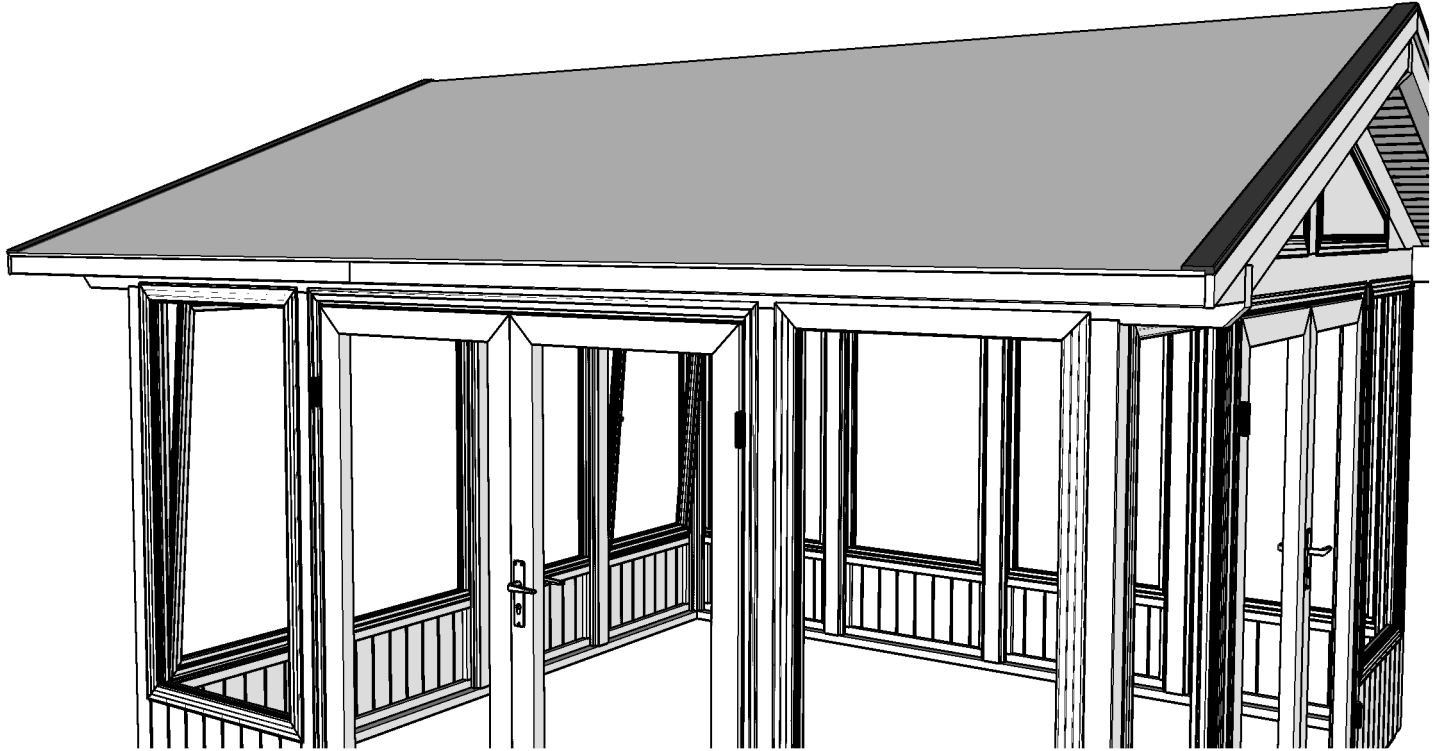


26

Plan:
Positions: 21



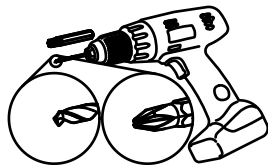
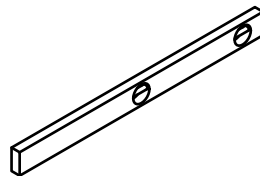
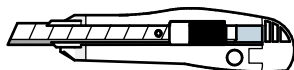
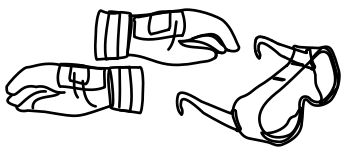
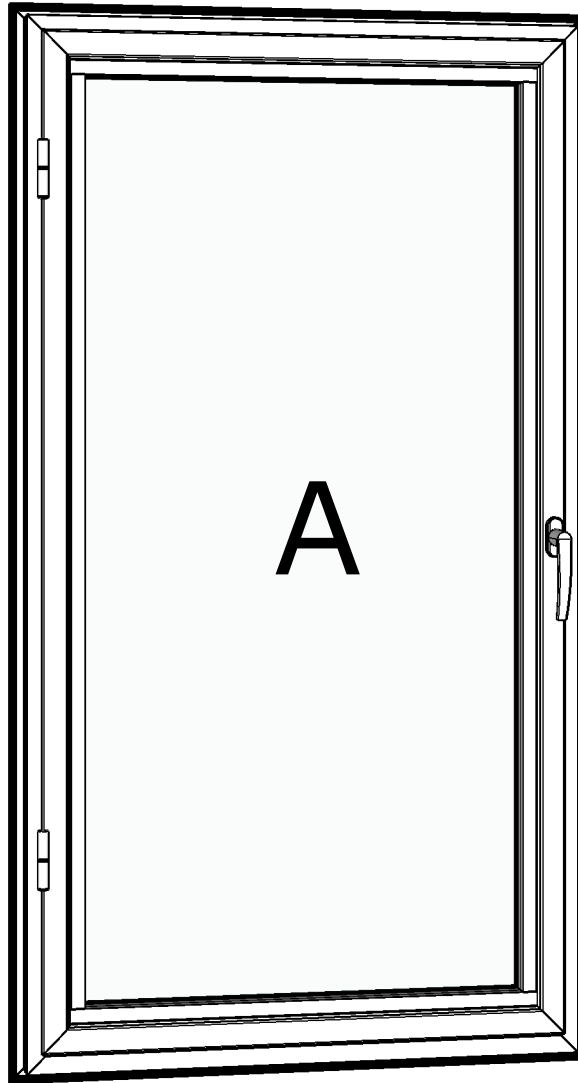
16 x (QKRPP4_5x50Zn)



27

Plan:

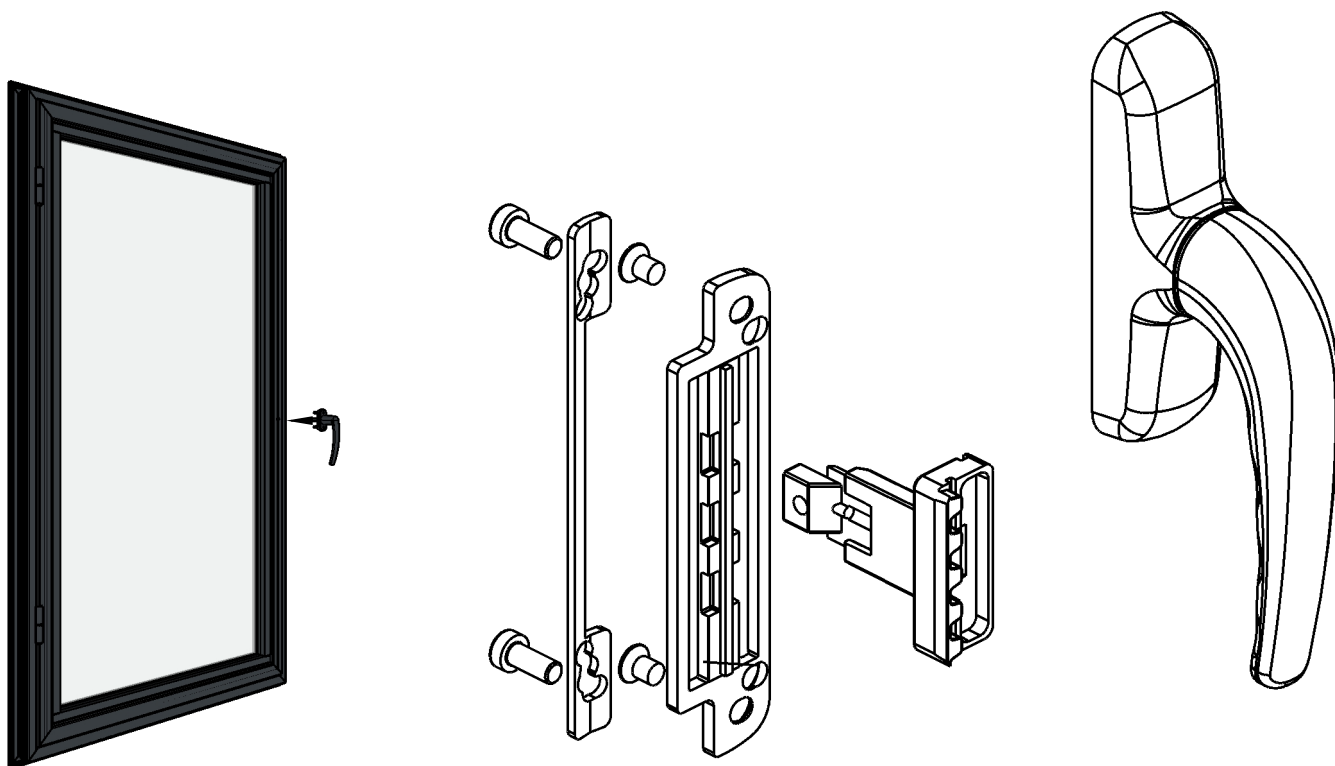
Positions: A51-1V-7016 / A51-1P-7016



I

Plan:

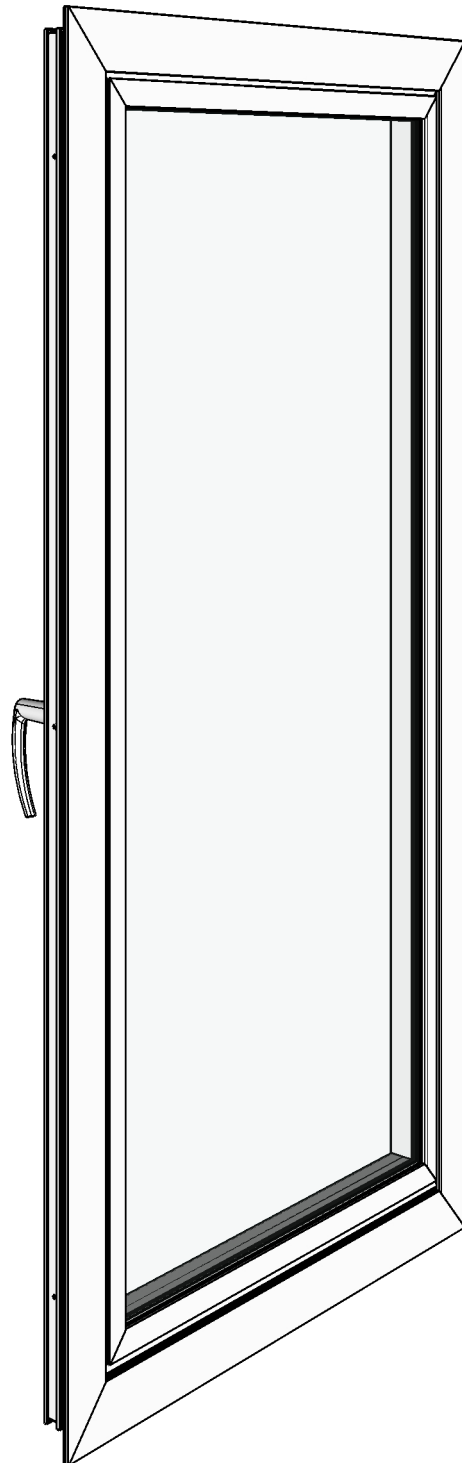
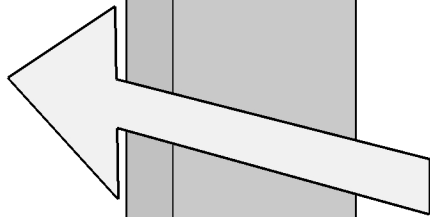
Positions: A51-1V-7016 / A51-1P-7016



Plan:

Positions: A51-1V-7016 / A51-1P-7016

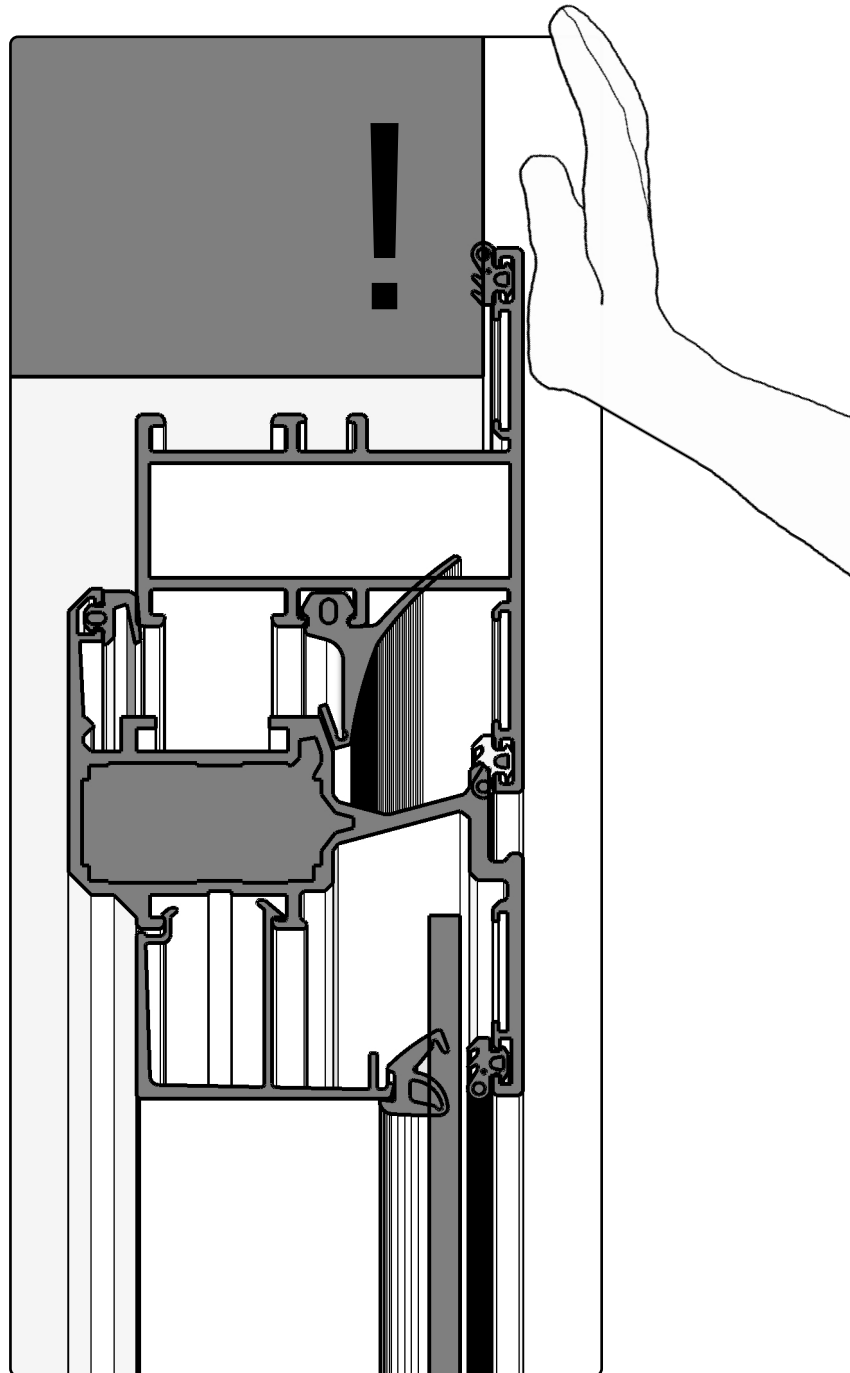
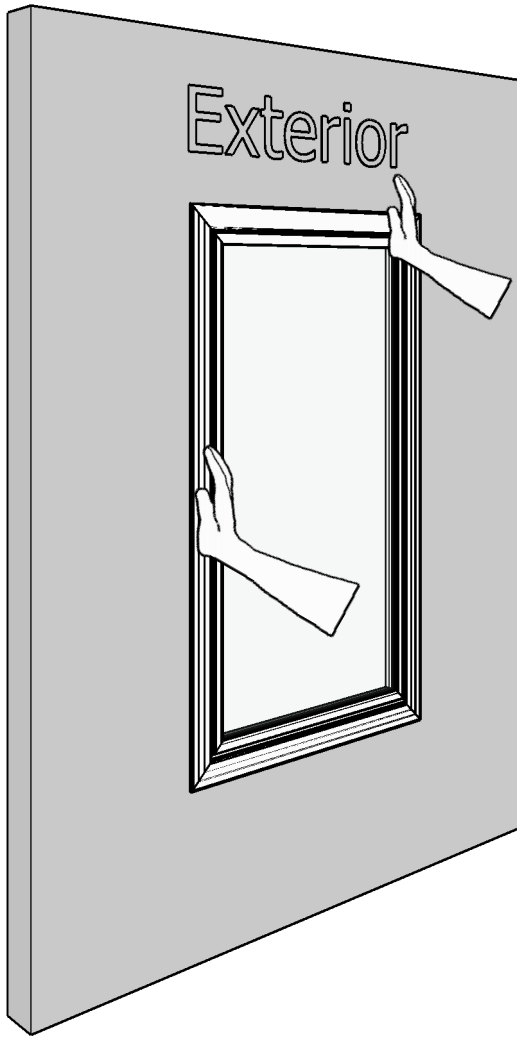
Exterior



III

Plan:

Positions: A51-1V-7016 / A51-1P-7016



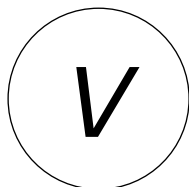
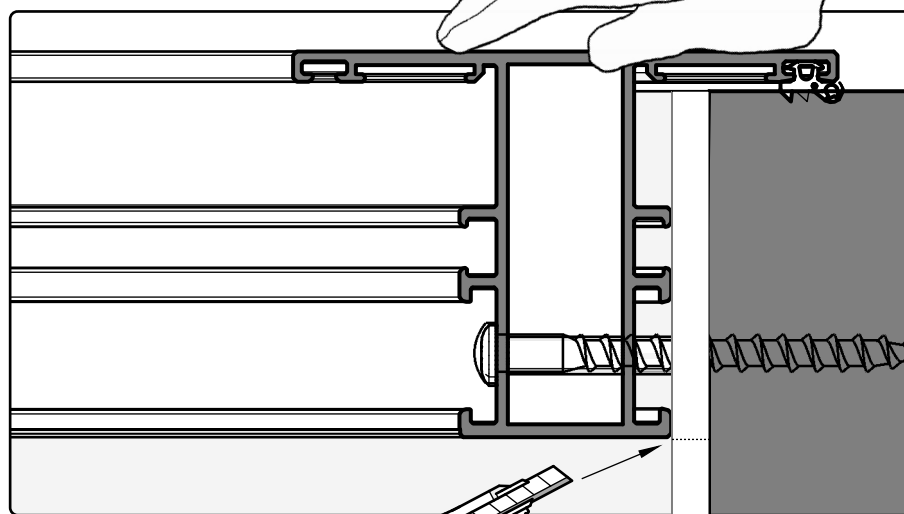
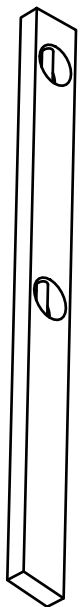
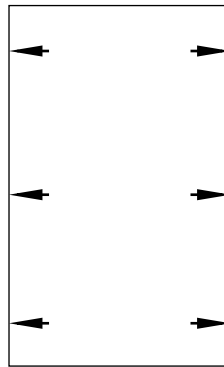
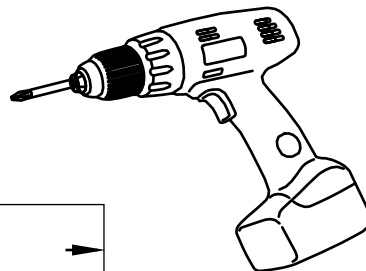
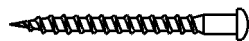
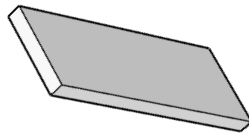
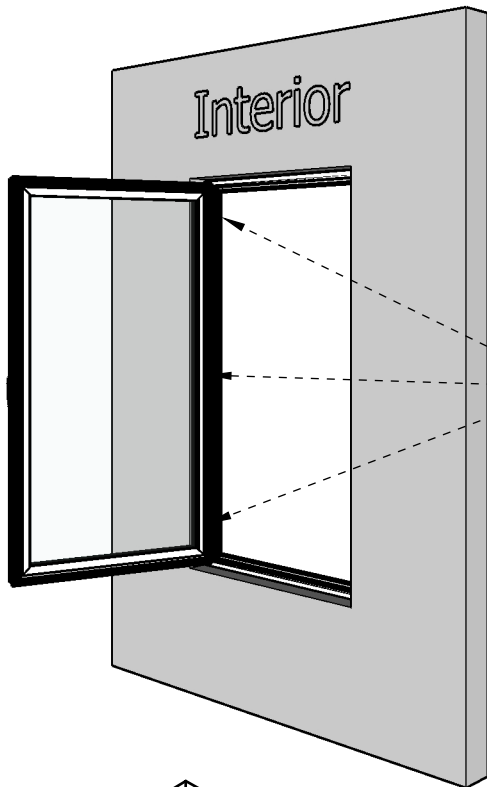
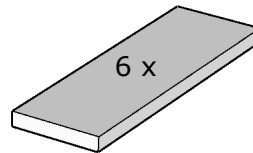
IV

Plan:

Positions: A51-1V-7016 / A51-1P-7016

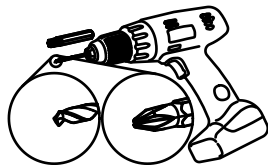
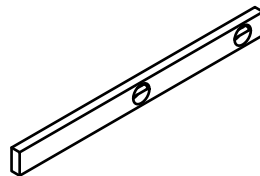
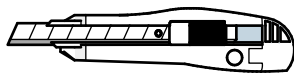
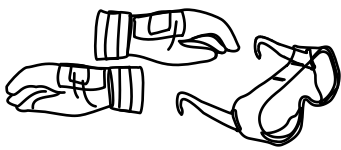
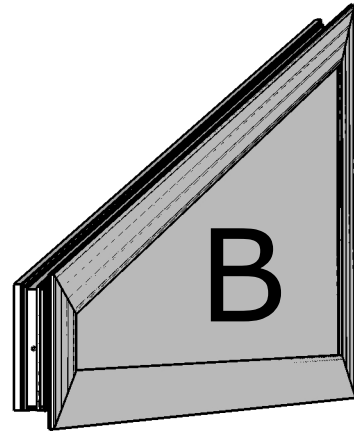
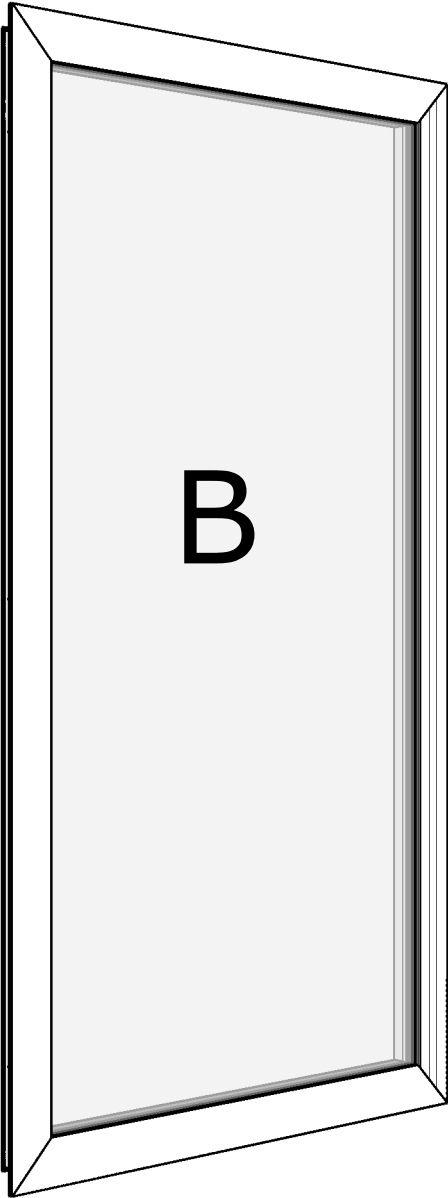


6 x (QKRYP5x40ZnTX)



Plan:

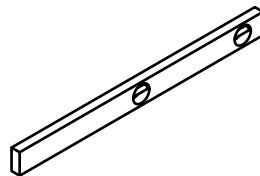
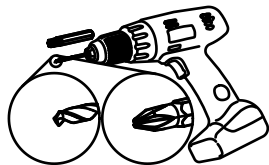
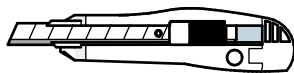
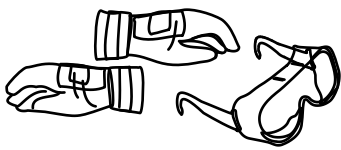
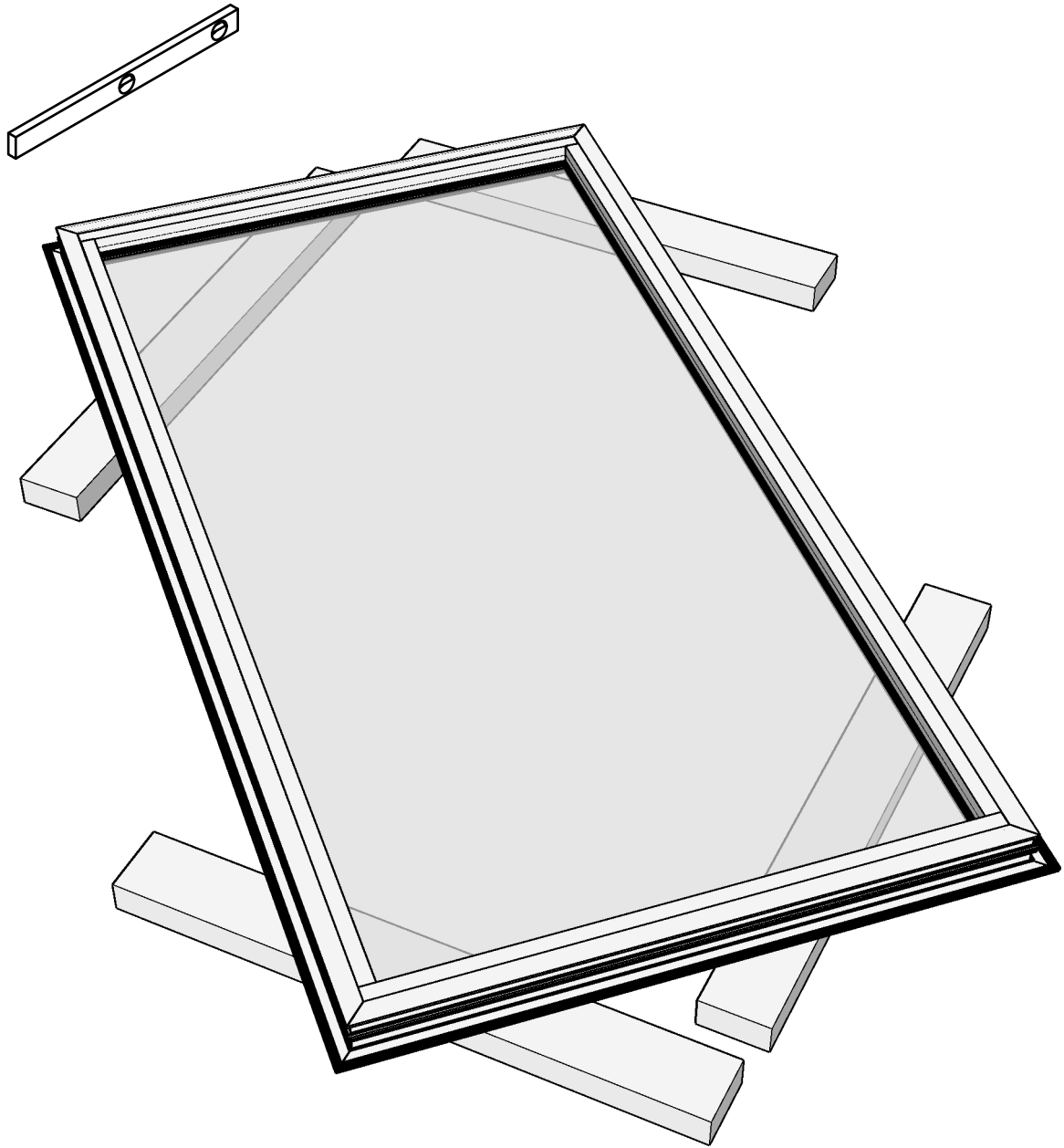
Positions: A51-3-7016 / A51-5-7016 / A51-6-7016



I

Plan:

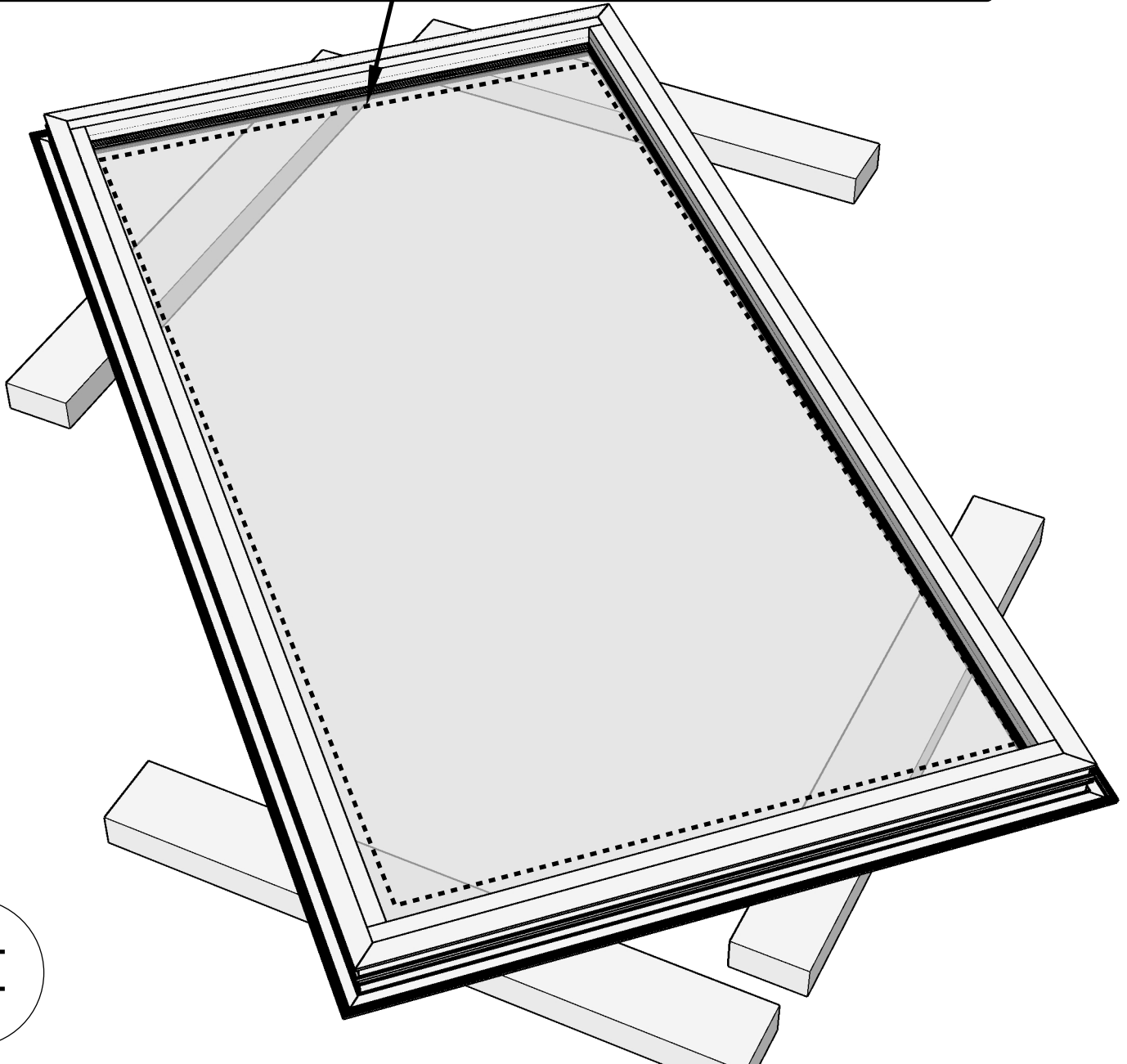
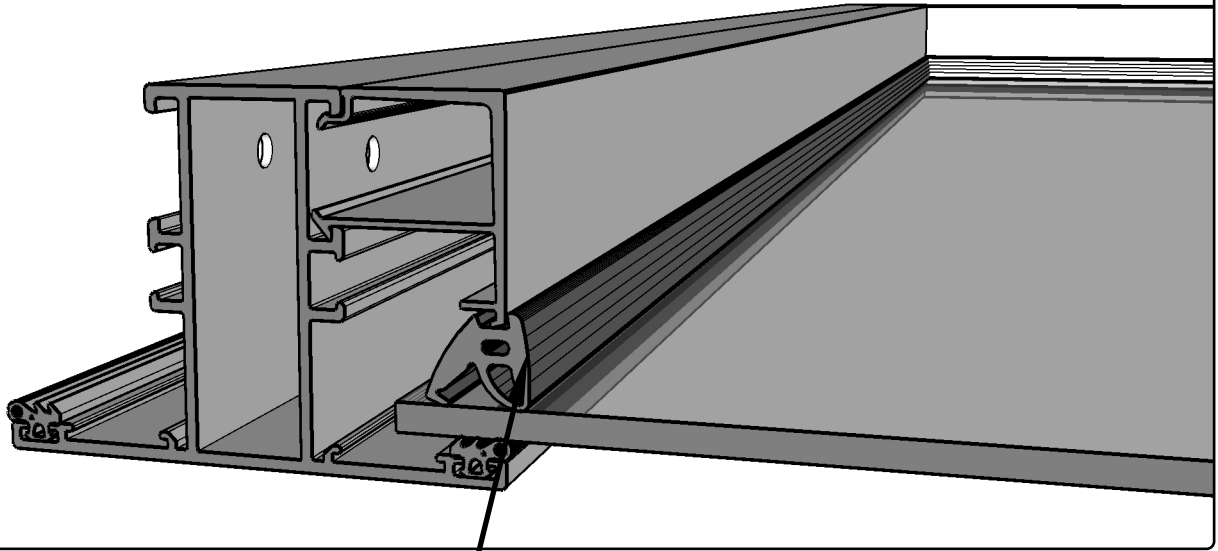
Positions: A51-3-7016 / A51-5-7016 / A51-6-7016



II

Plan:

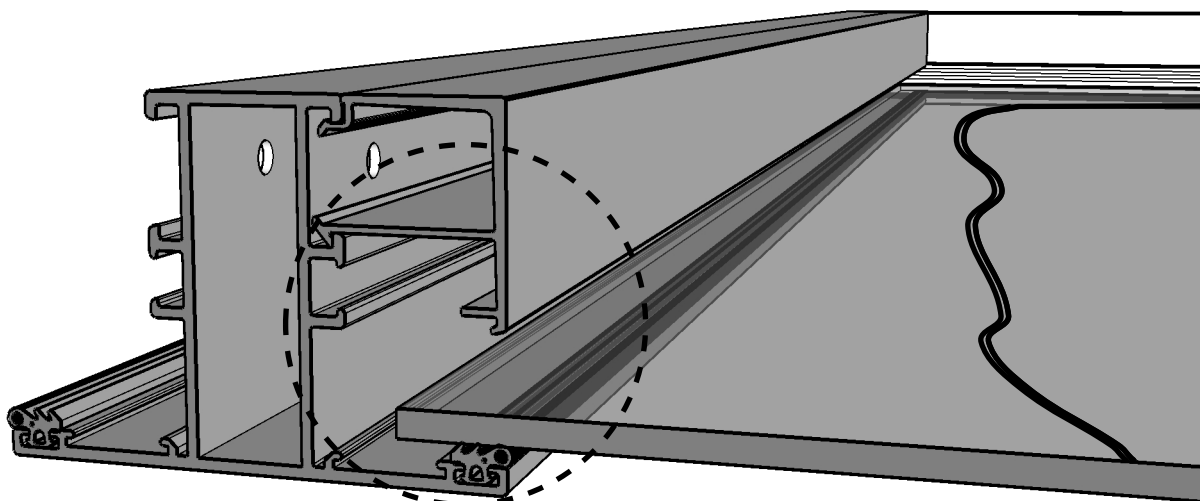
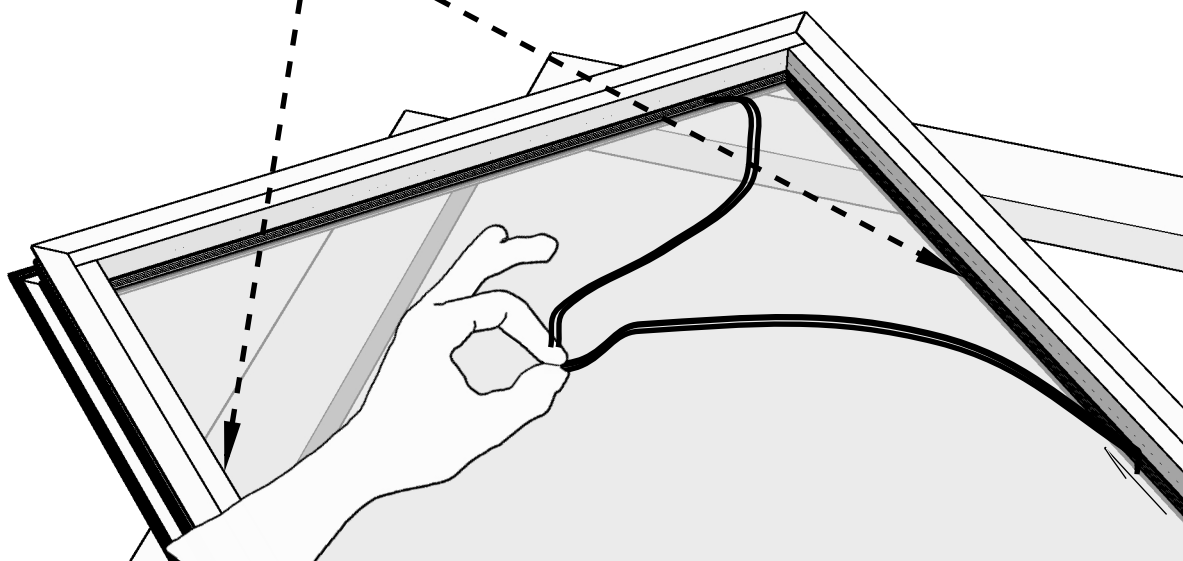
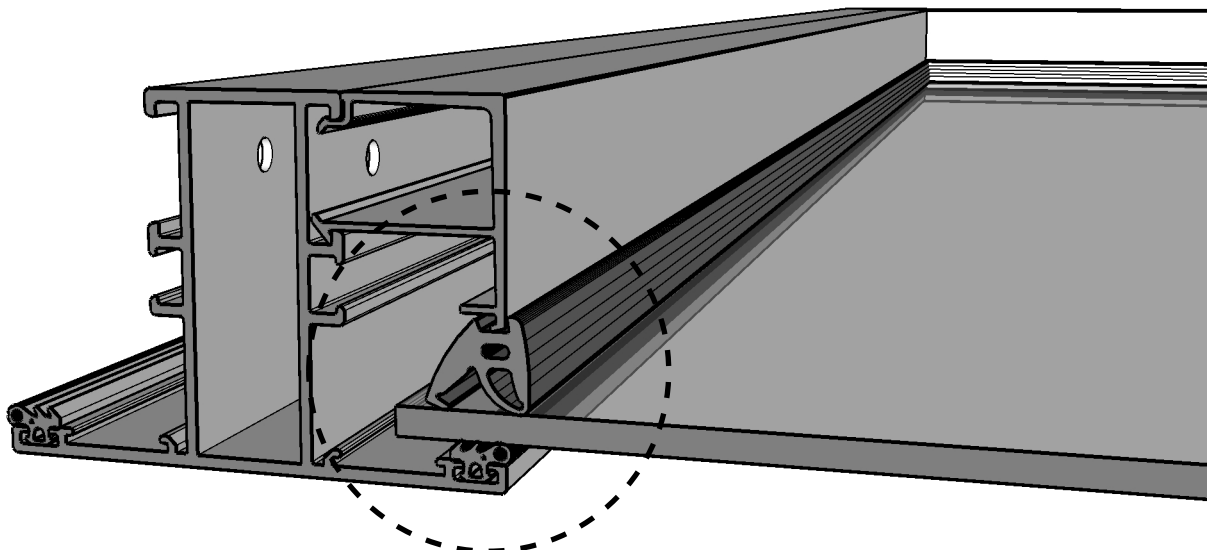
Positions: A51-3-7016 / A51-5-7016 / A51-6-7016



III

Plan:

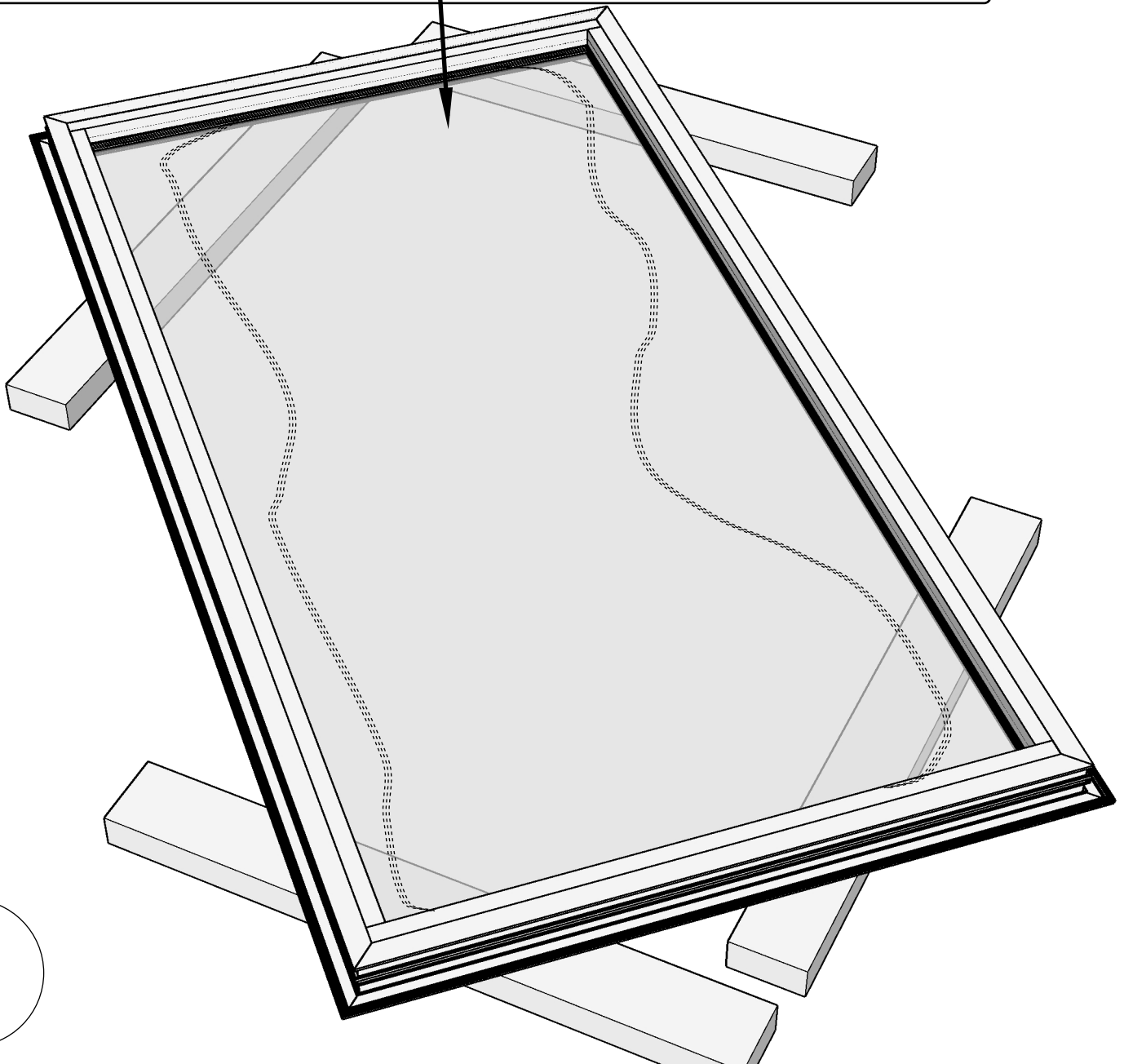
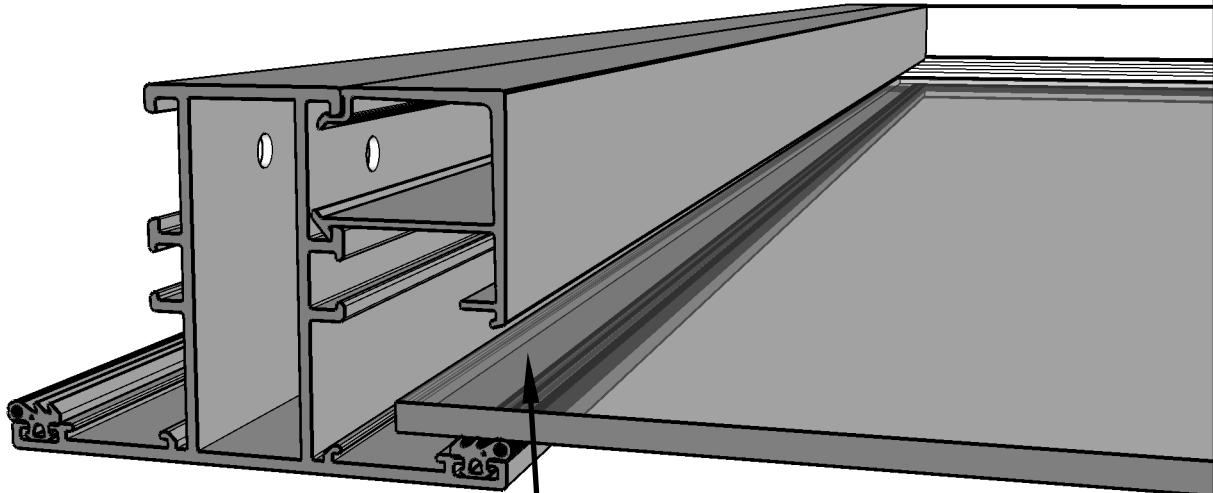
Positions: A51-3-7016 / A51-5-7016 / A51-6-7016



IV

Plan:

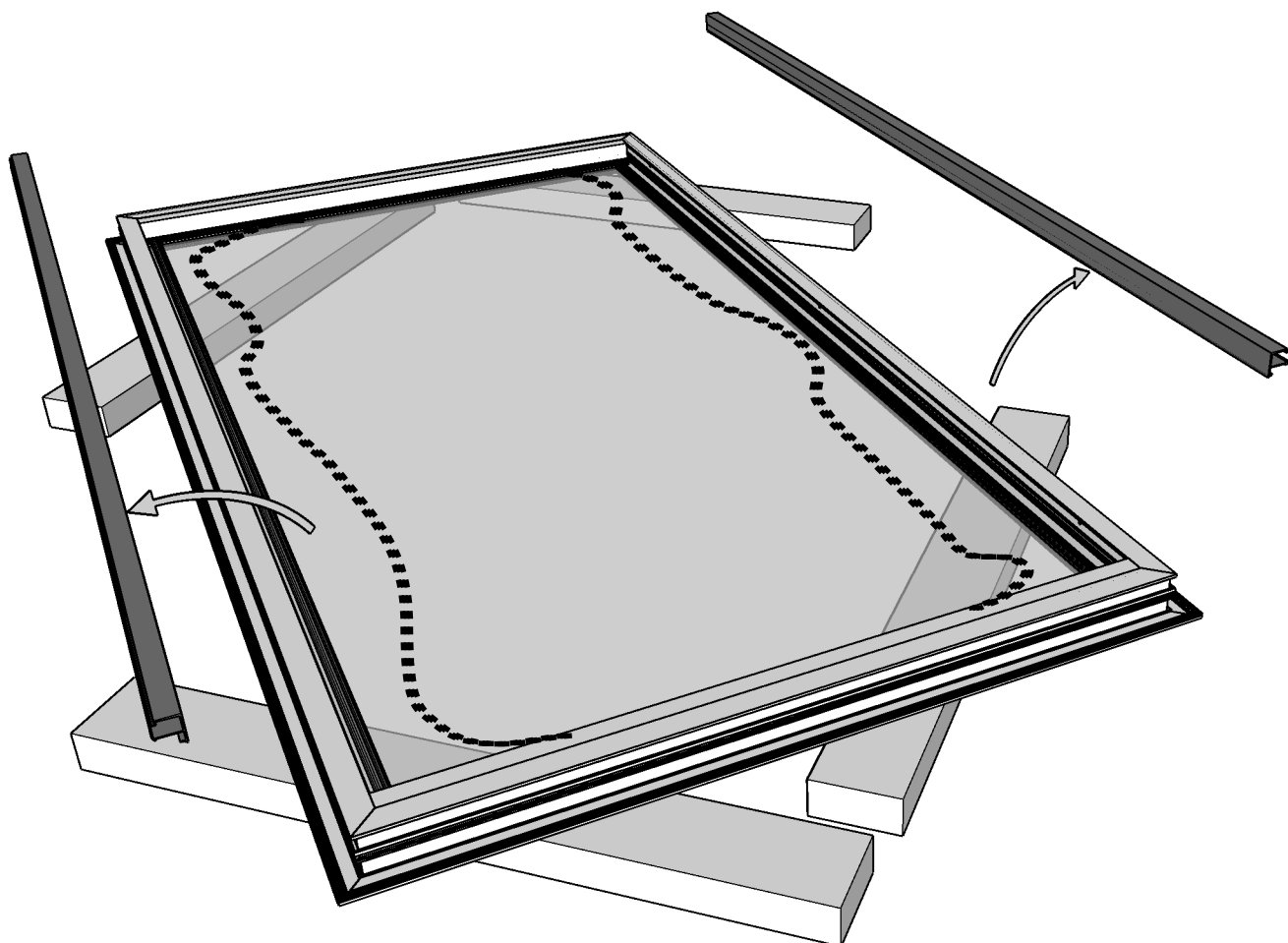
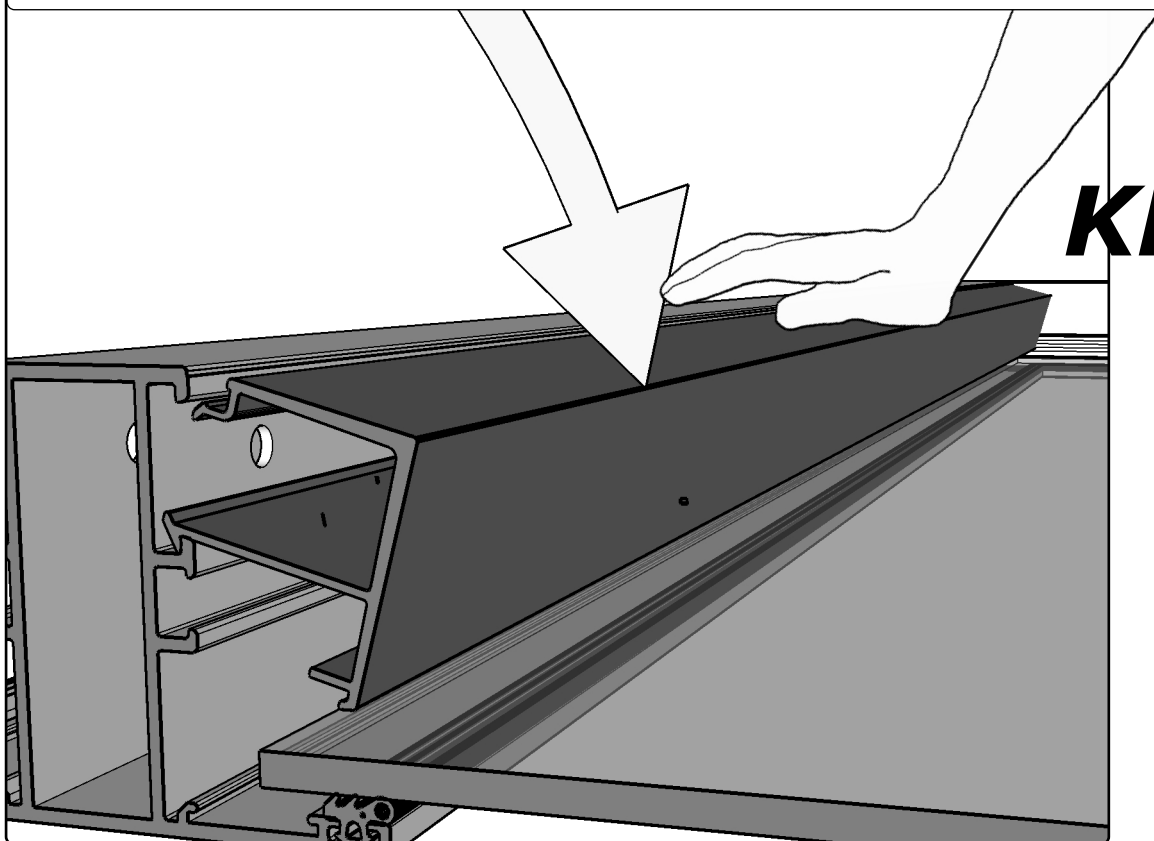
Positions: A51-3-7016 / A51-5-7016 / A51-6-7016



V

Plan:

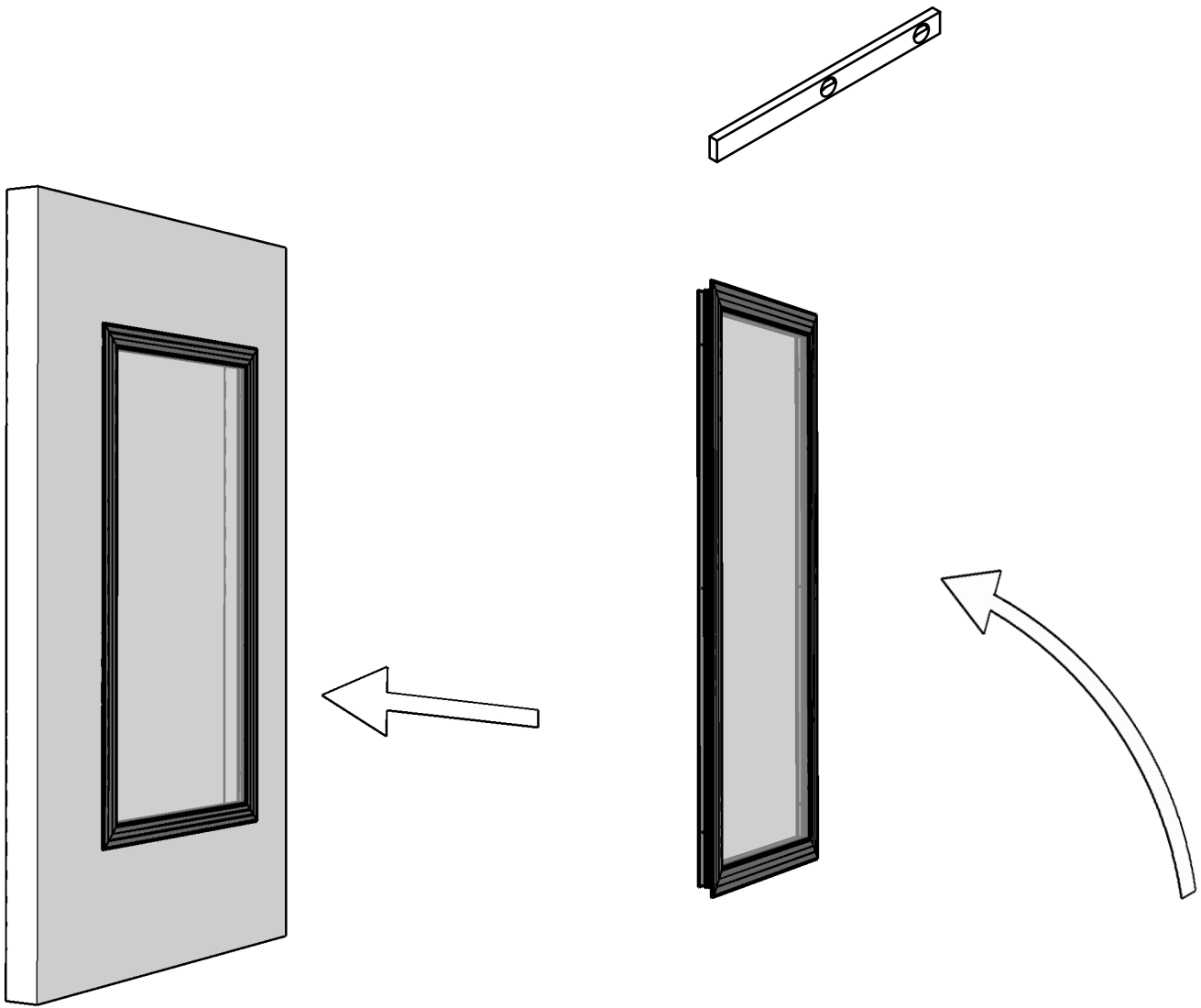
Positions: A51-3-7016 / A51-5-7016 / A51-6-7016



VI

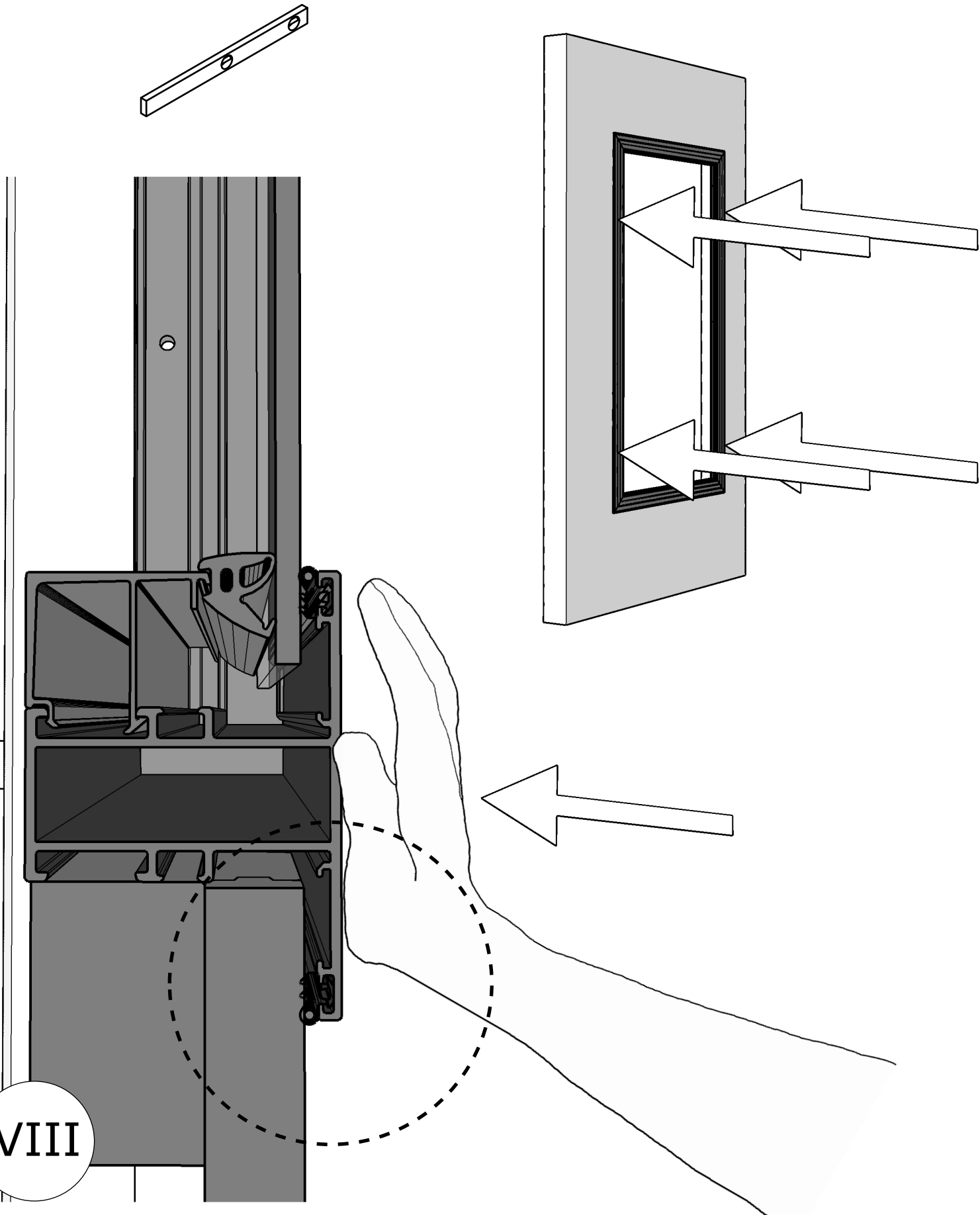
Plan:

Positions: A51-3-7016 / A51-5-7016 / A51-6-7016



Plan:

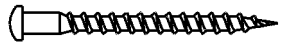
Positions: A51-3-7016 / A51-5-7016 / A51-6-7016



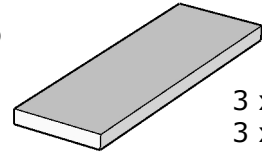
VIII

Plan:

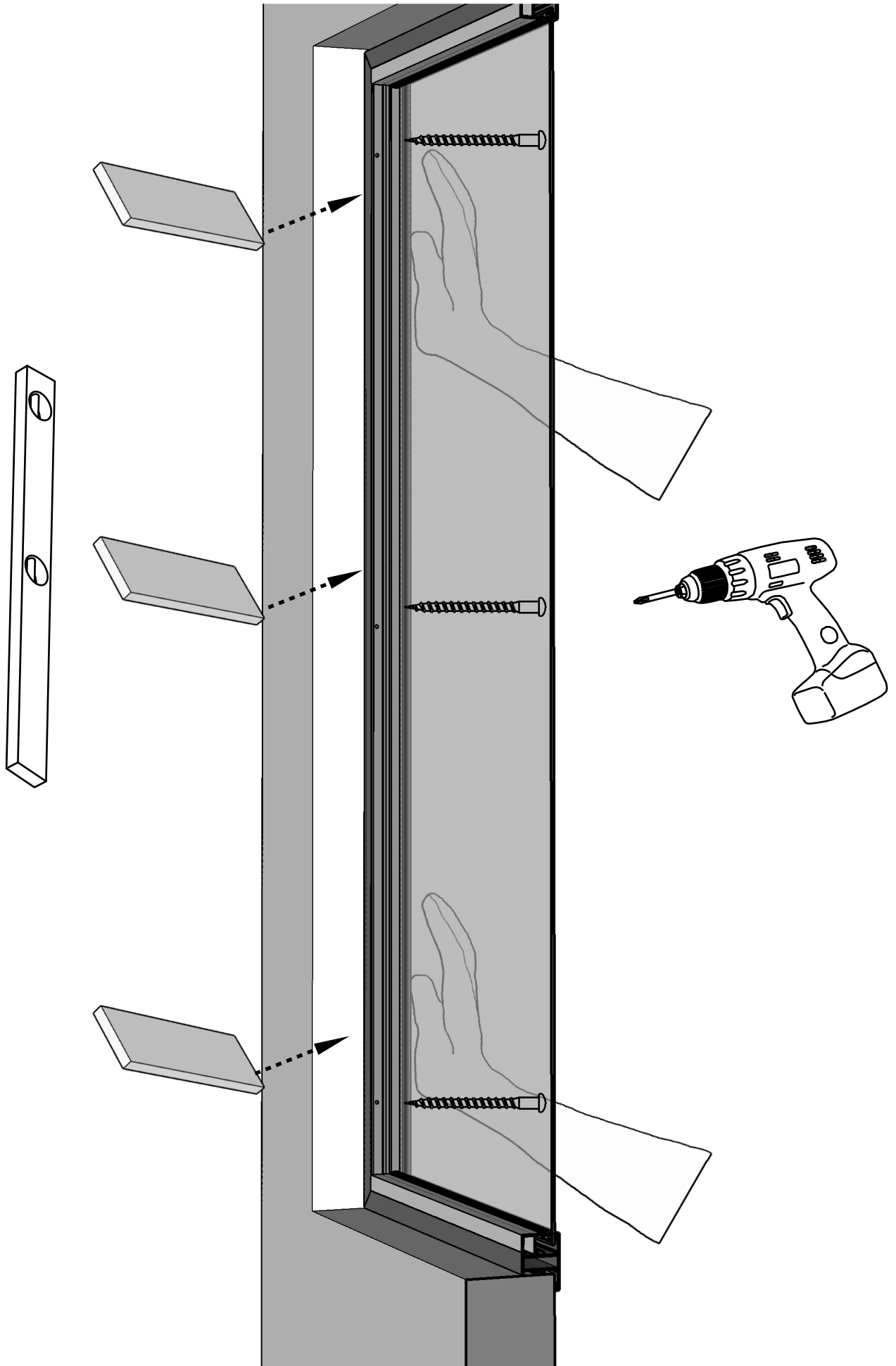
Positions: A51-3-7016 / A51-5-7016 / A51-6-7016



6 x (QKRYP5x60ZnTX)



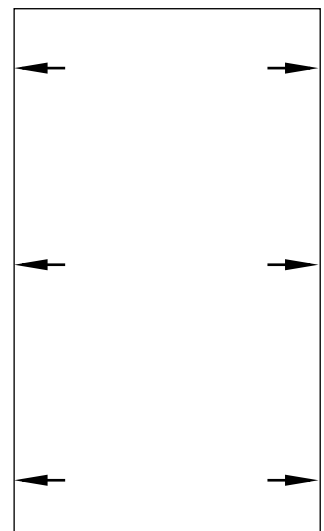
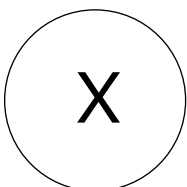
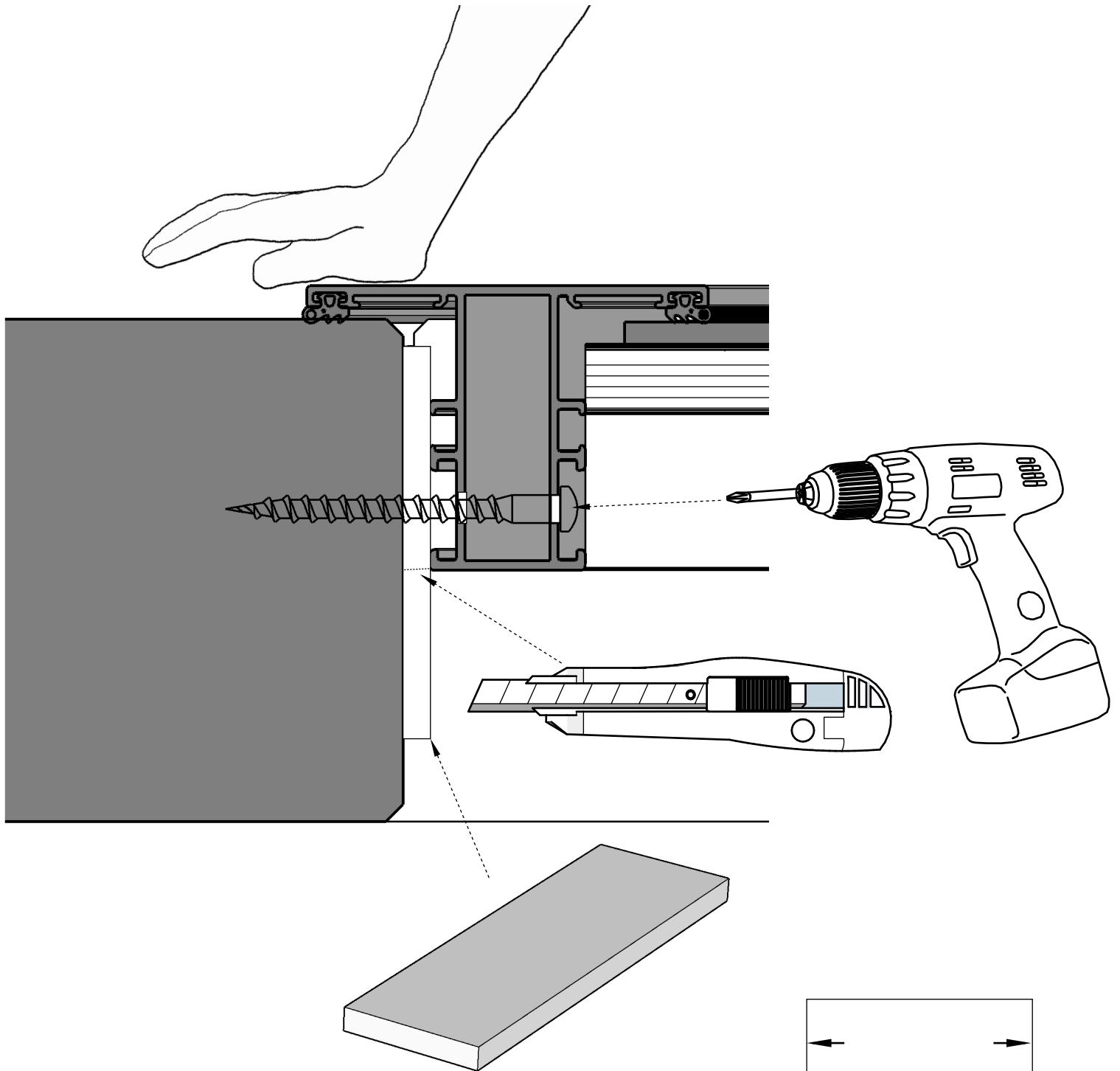
3 x (QPL20x100x2)
3 x (QPL20x100x3)



IX

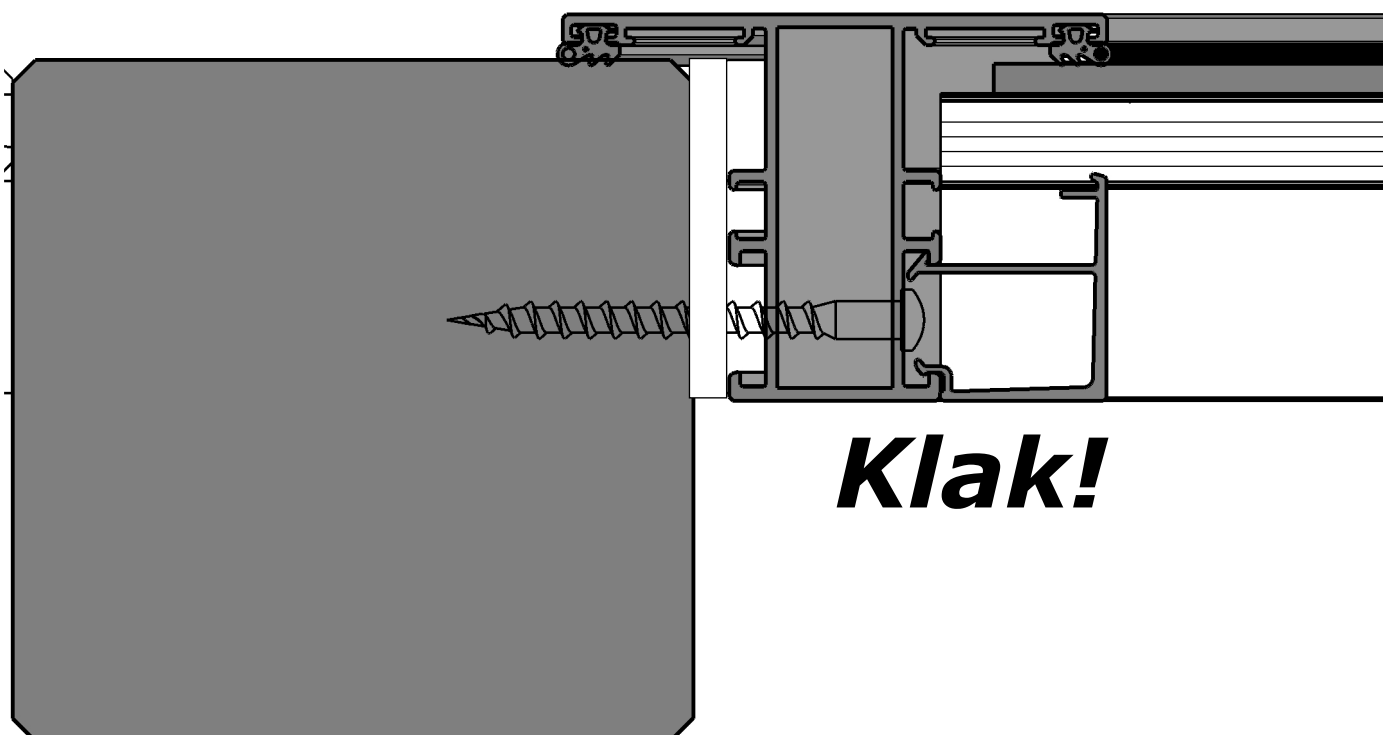
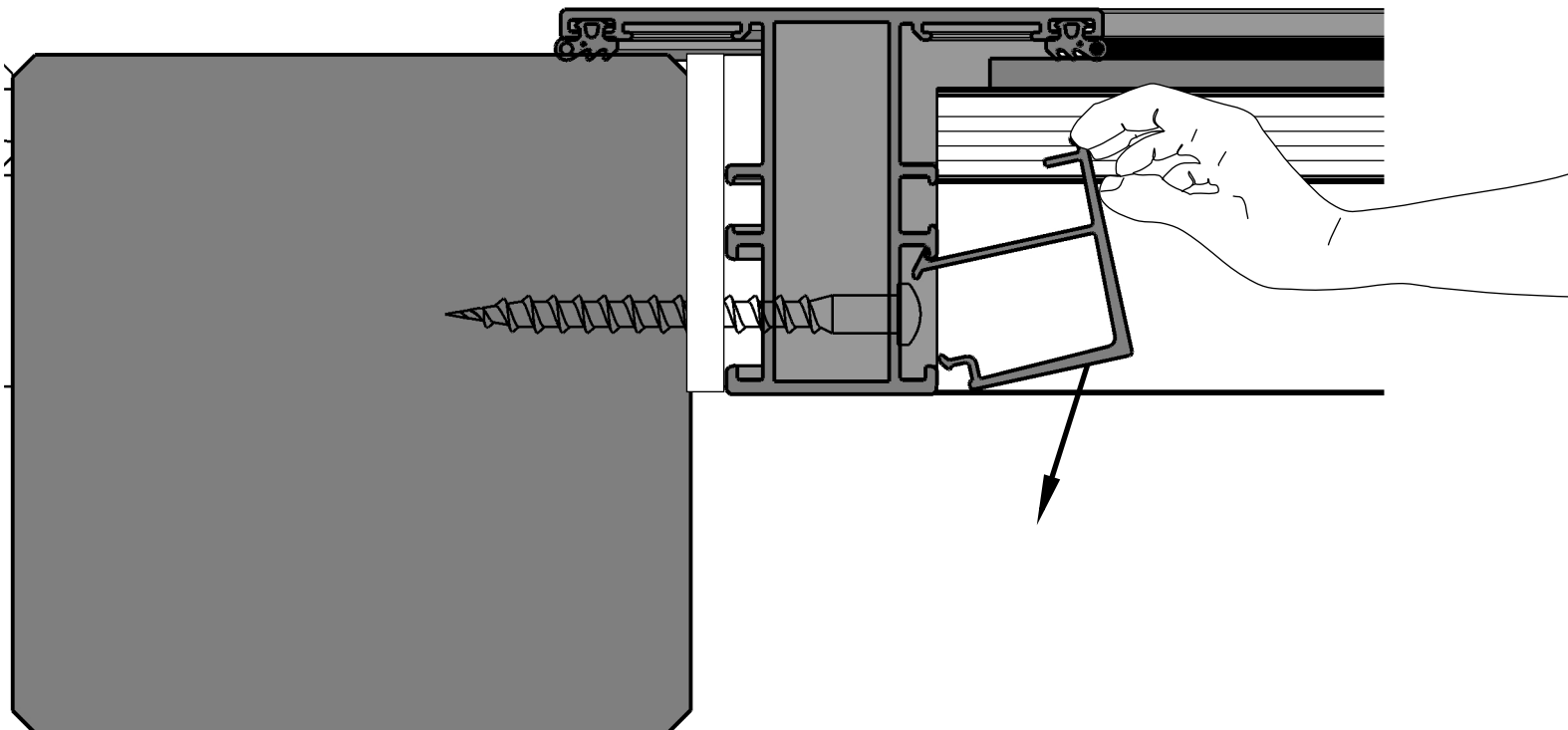
Plan:

Positions: A51-3-7016 / A51-5-7016 / A51-6-7016



Plan:

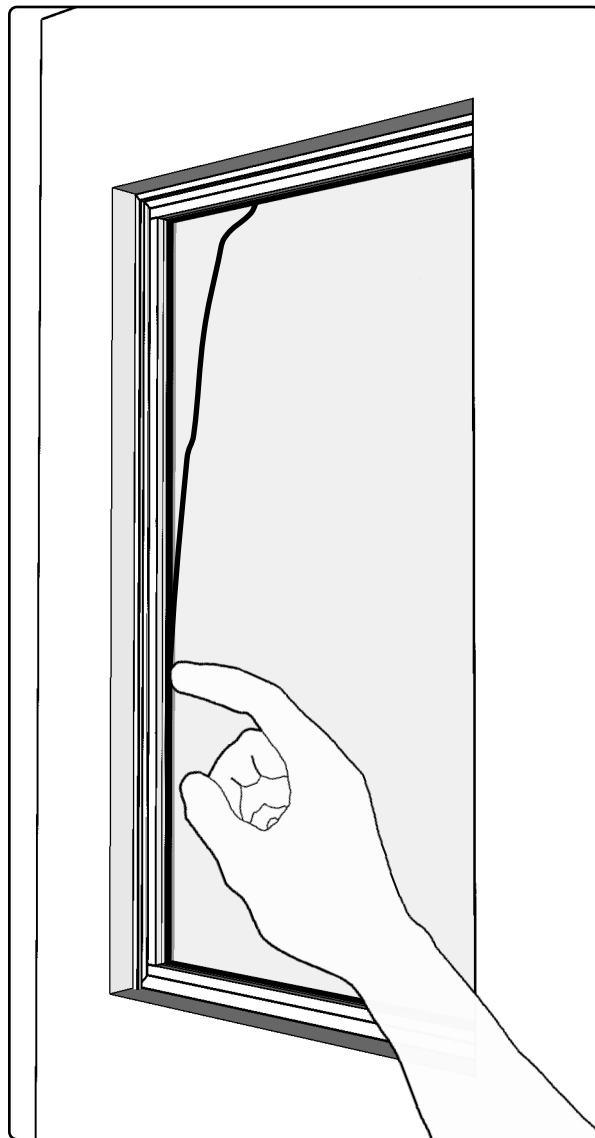
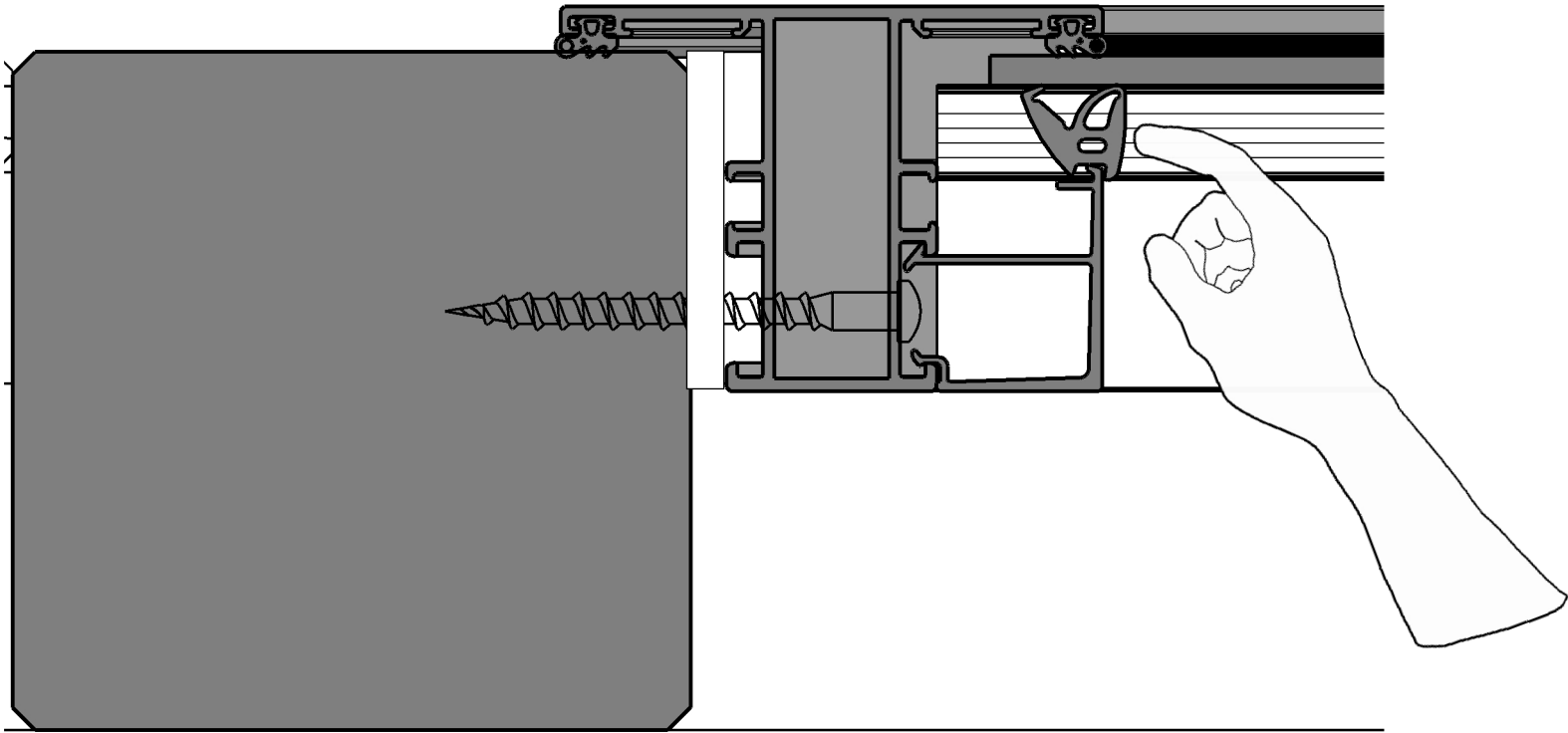
Positions: A51-3-7016 / A51-5-7016 / A51-6-7016



XI

Plan:

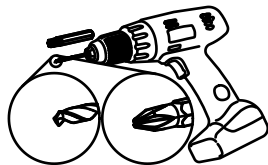
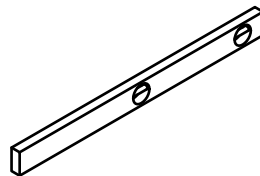
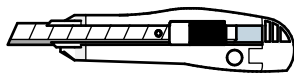
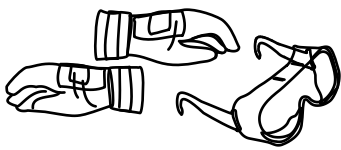
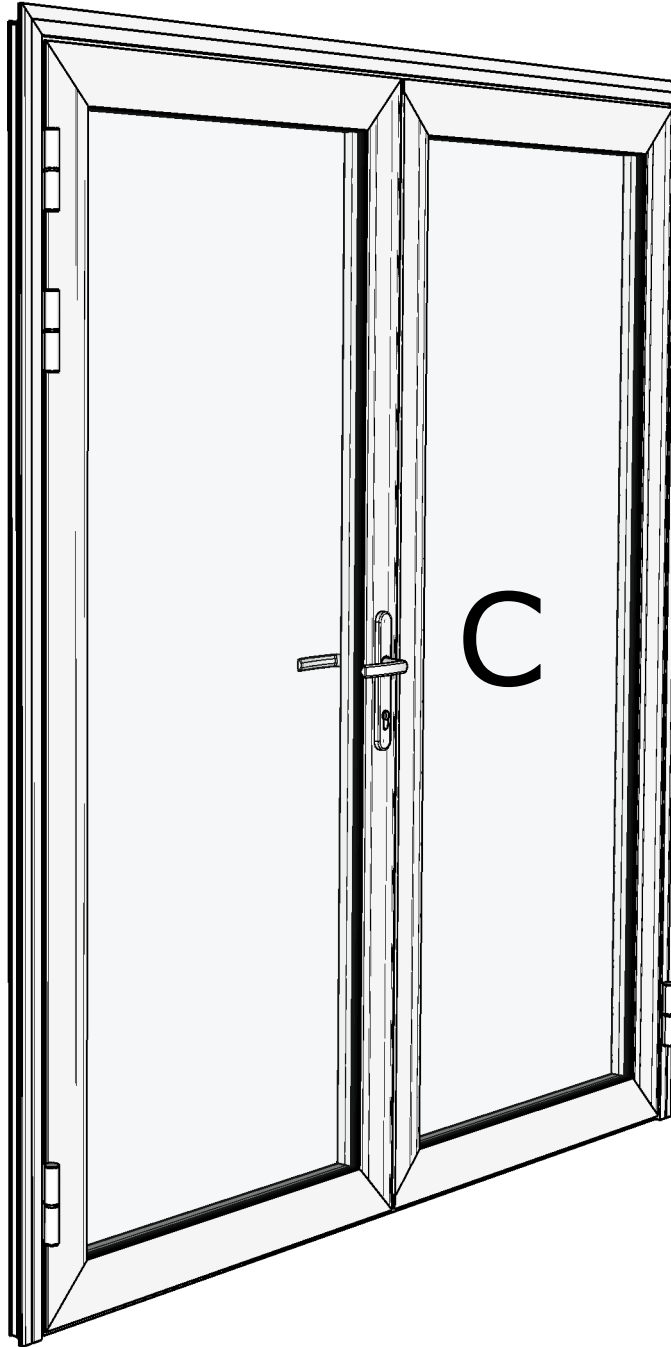
Positions: A51-3-7016 / A51-5-7016 / A51-6-7016



XII

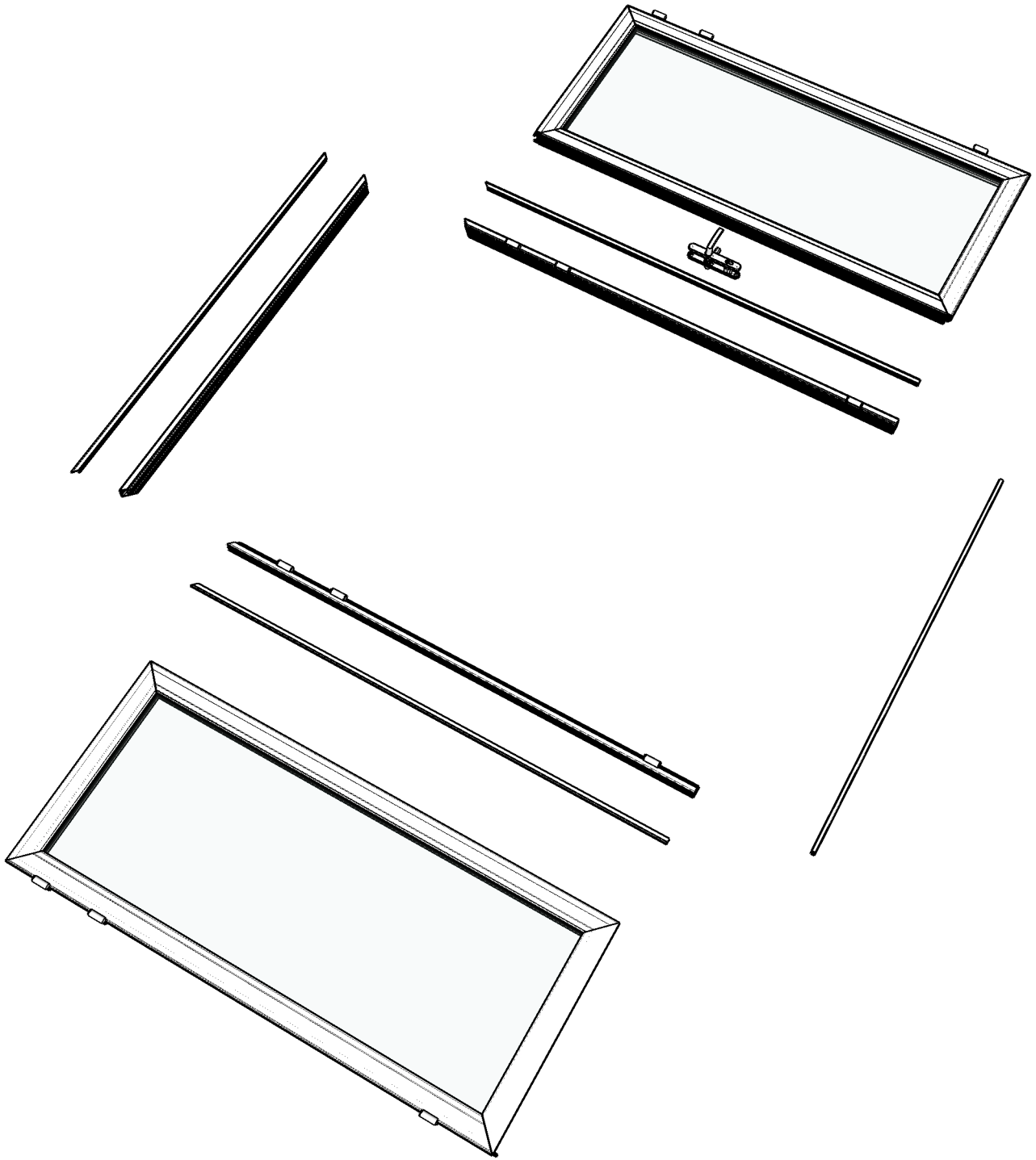
Plan:

Positions: TU51-2P-7016



I

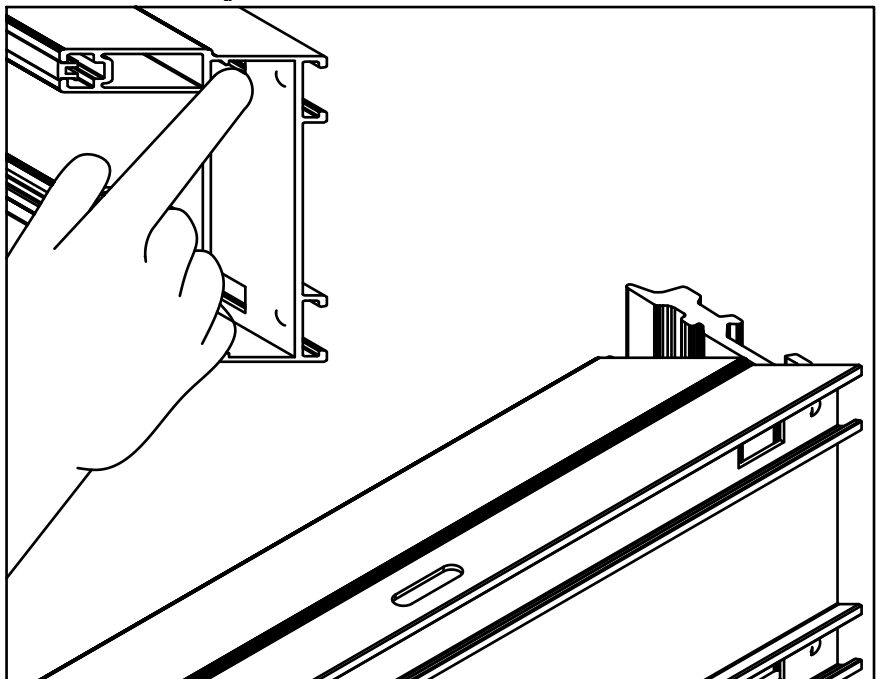
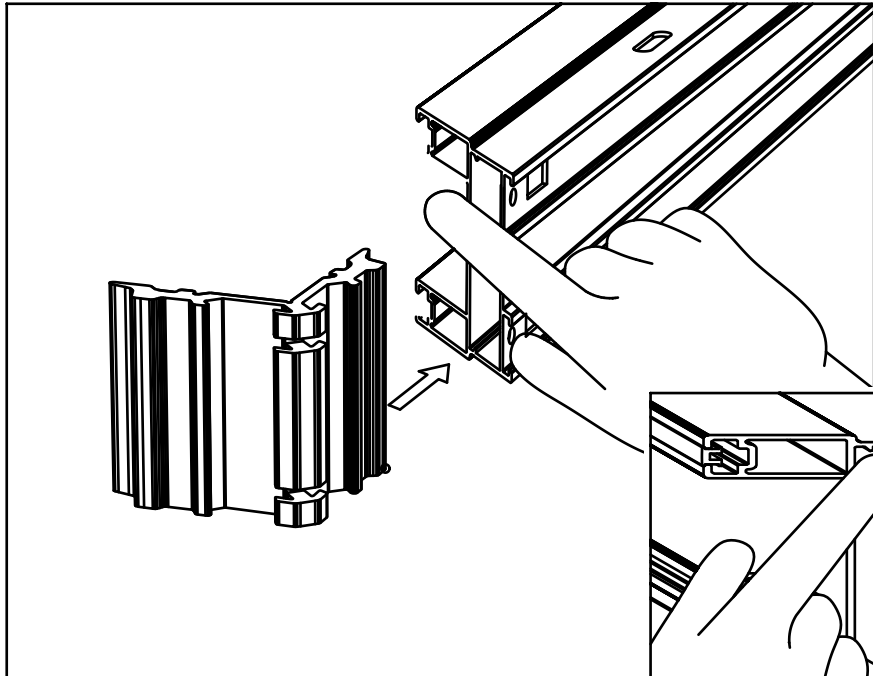
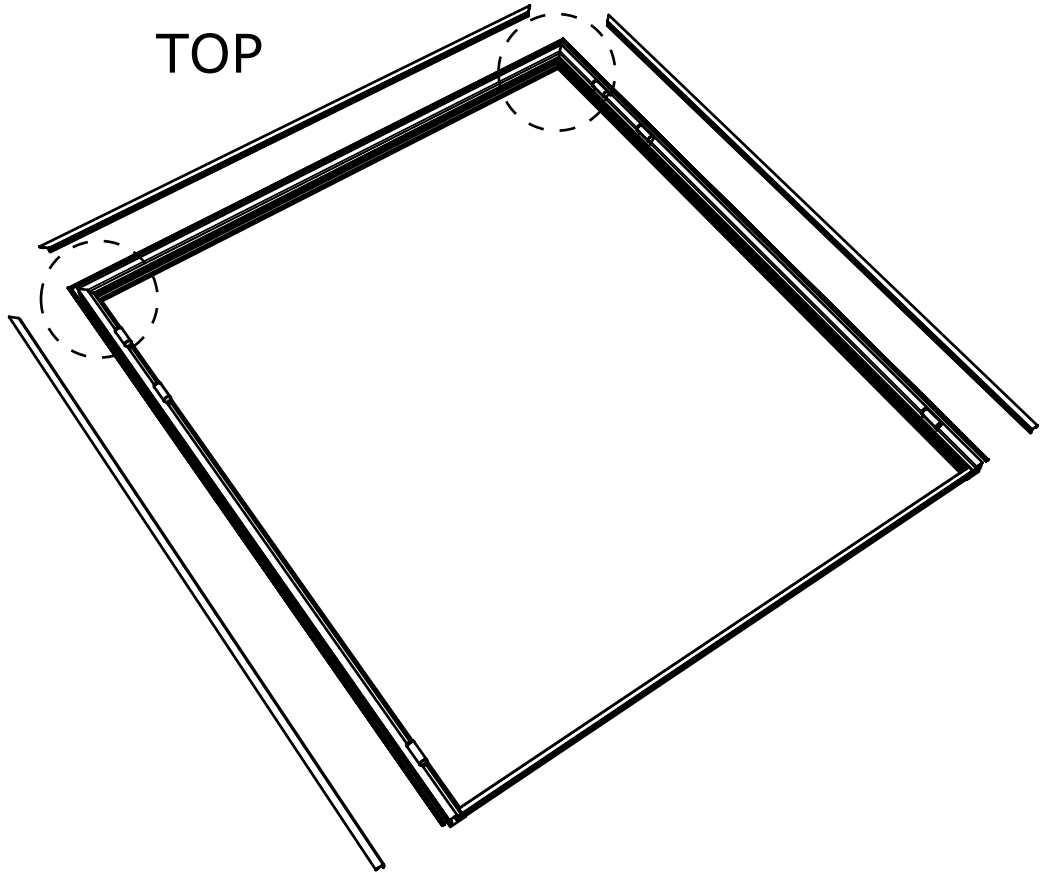
Plan:
Positions: TU51-2P-7016



Plan:

Positions: TU51-2P-7016

TOP

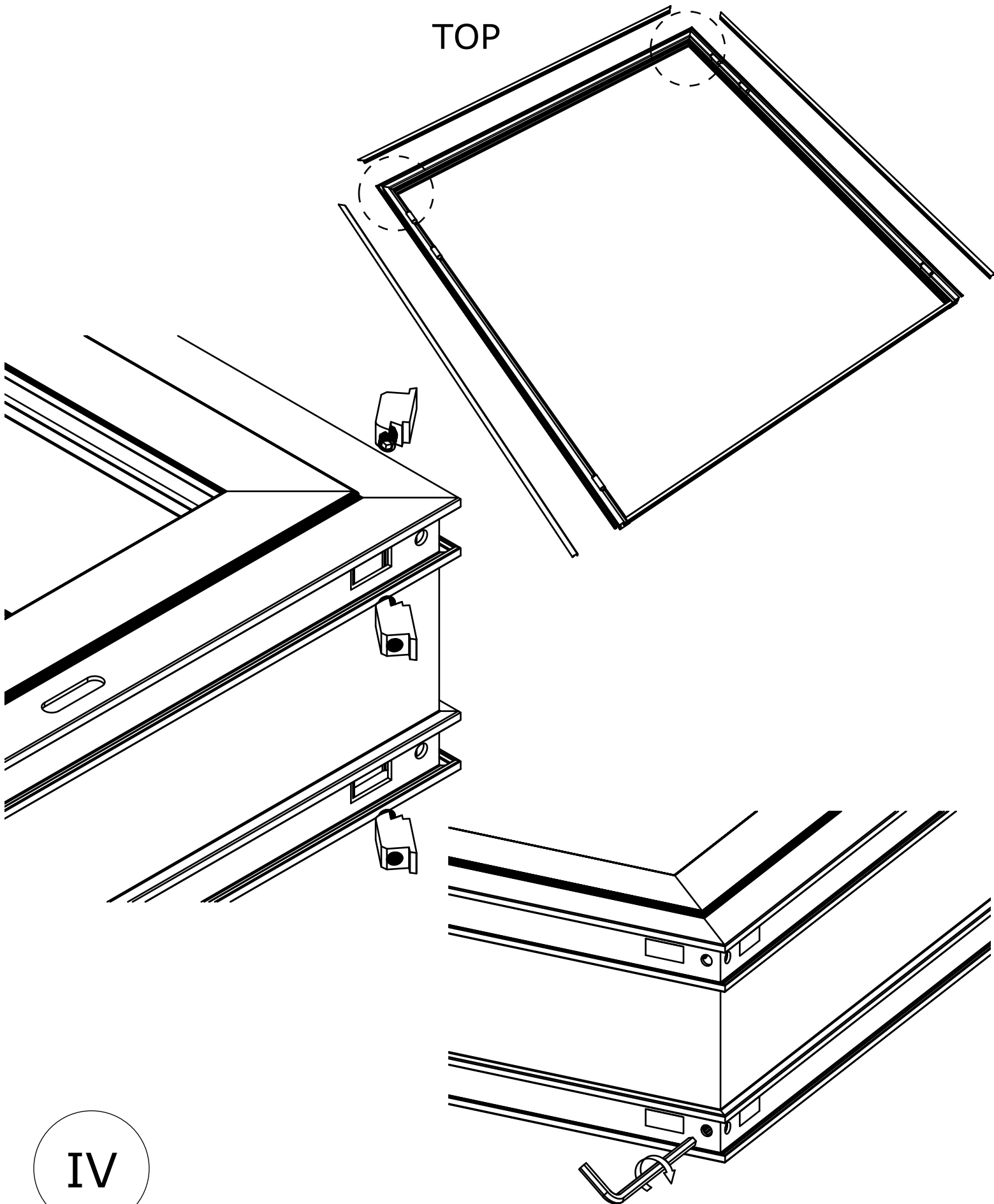


III

Plan:

Positions: TU51-2P-7016

TOP

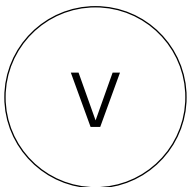
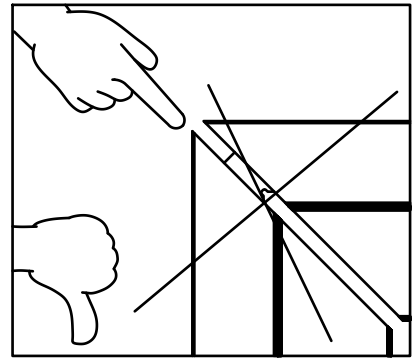
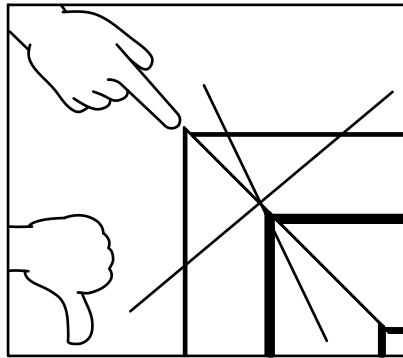
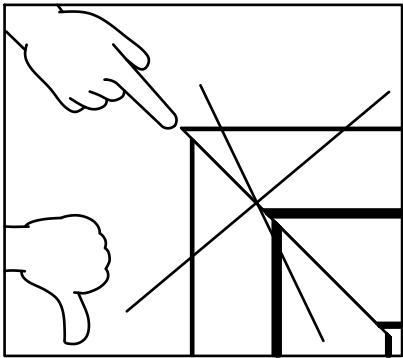
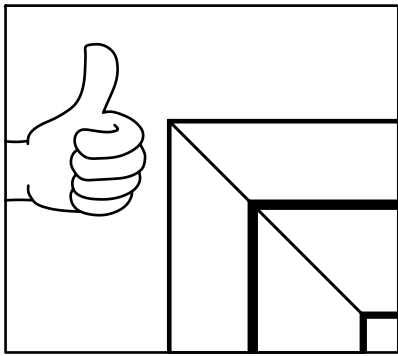
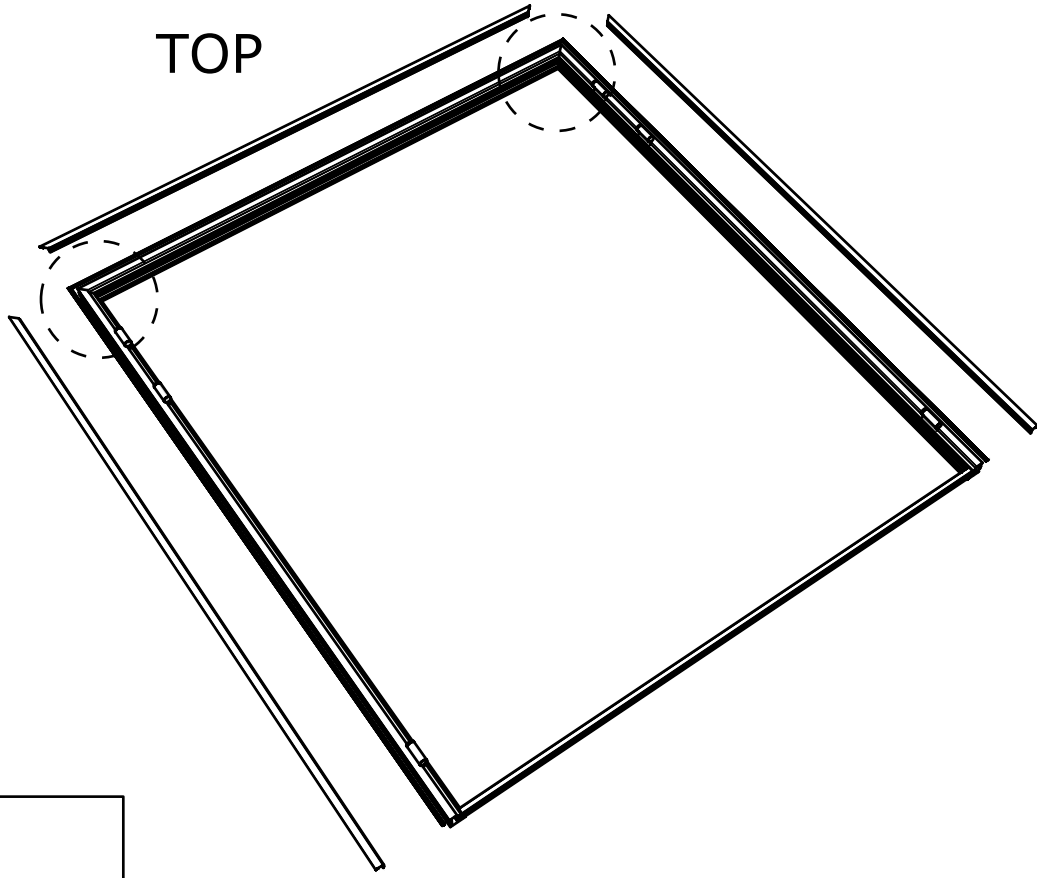


IV

Plan:

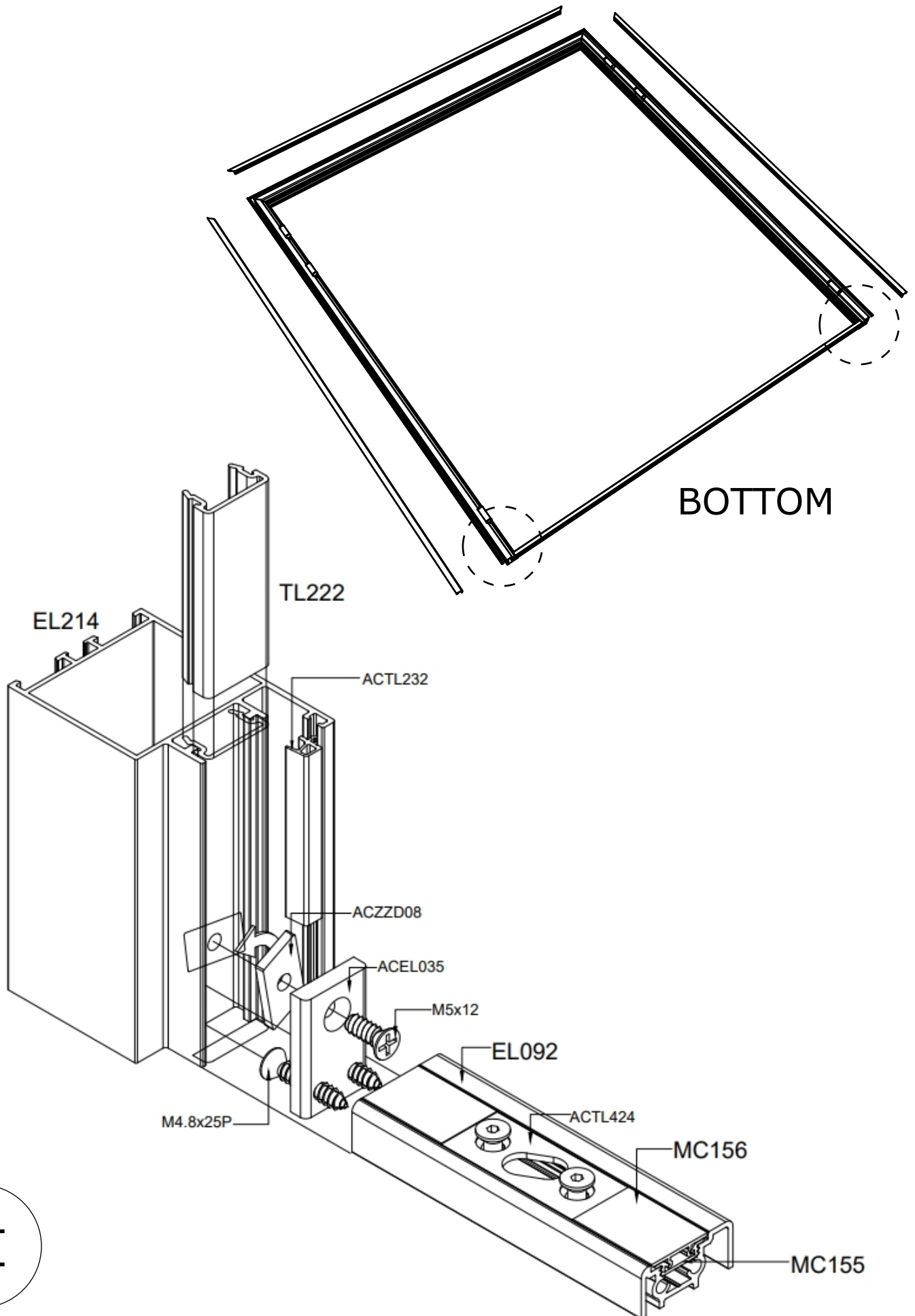
Positions: TU51-2P-7016

TOP



Plan:

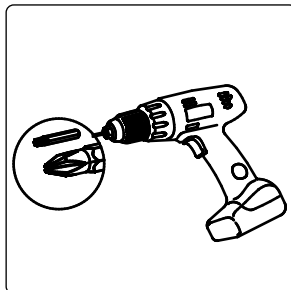
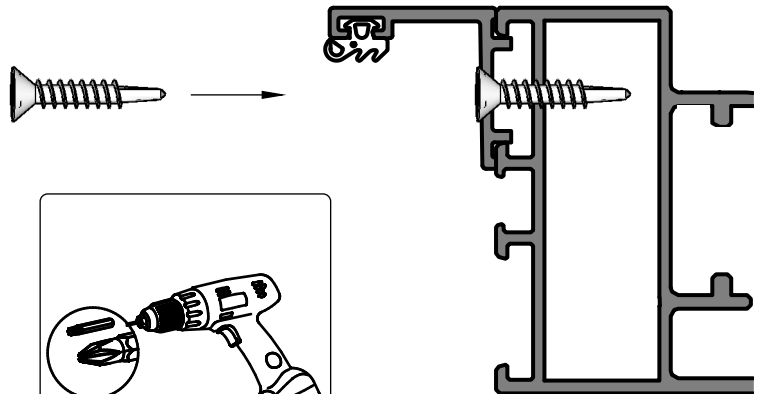
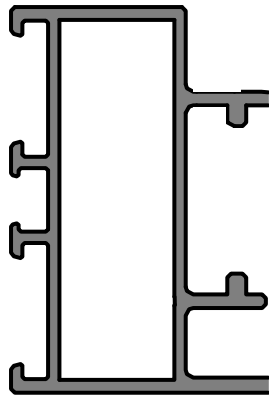
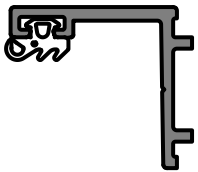
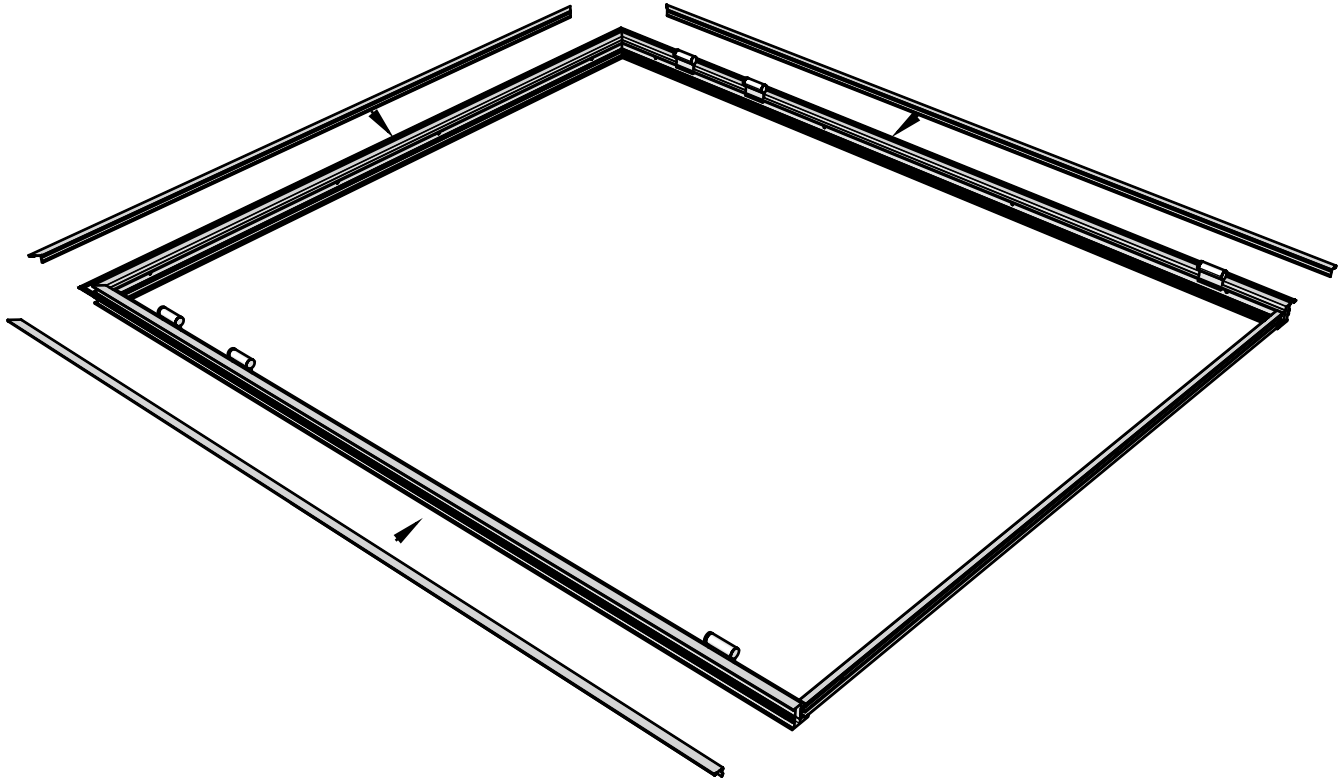
Positions: TU51-2P-7016



VI

Plan:

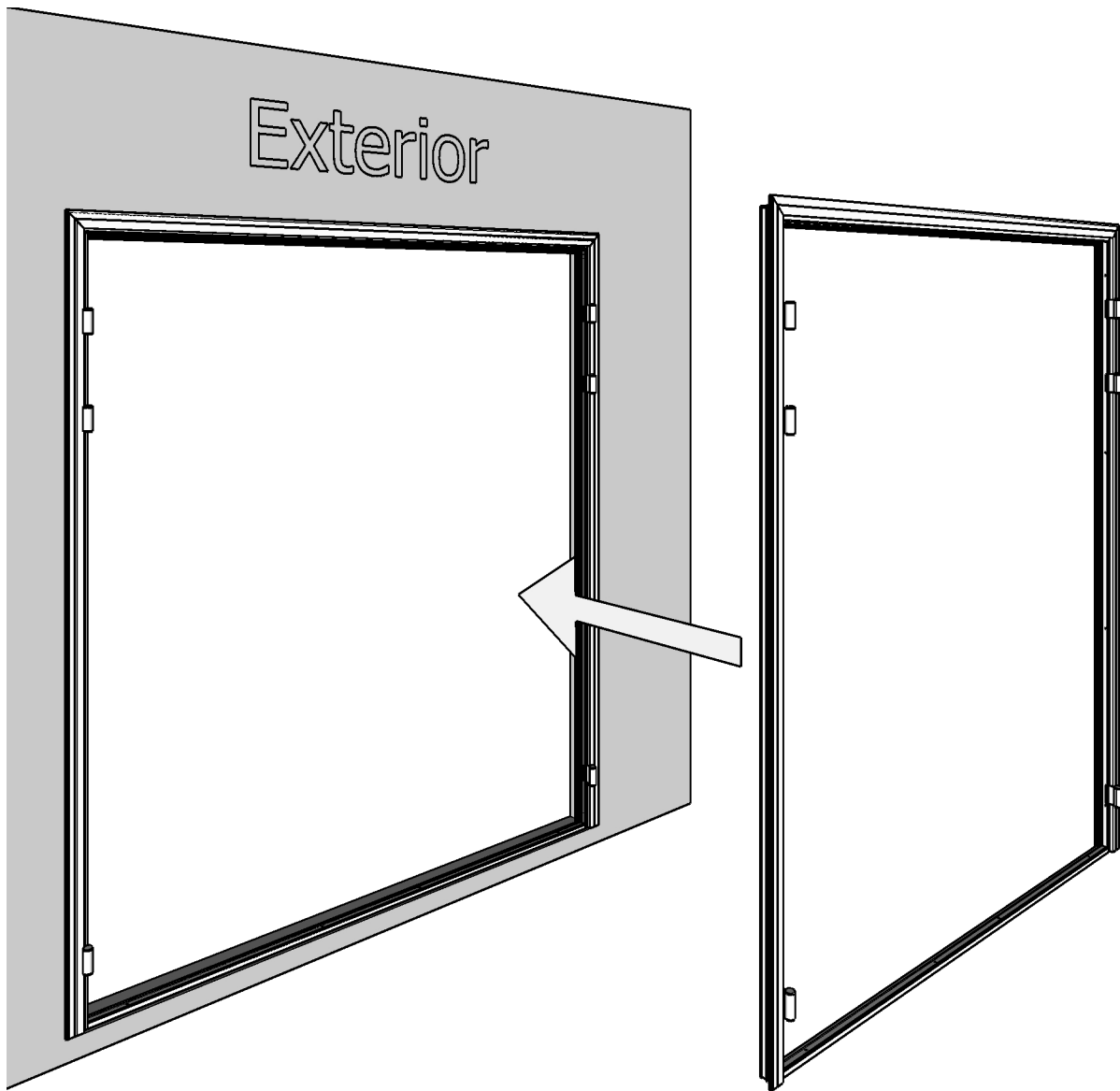
Positions: TU51-2P-7016



VII

Plan:

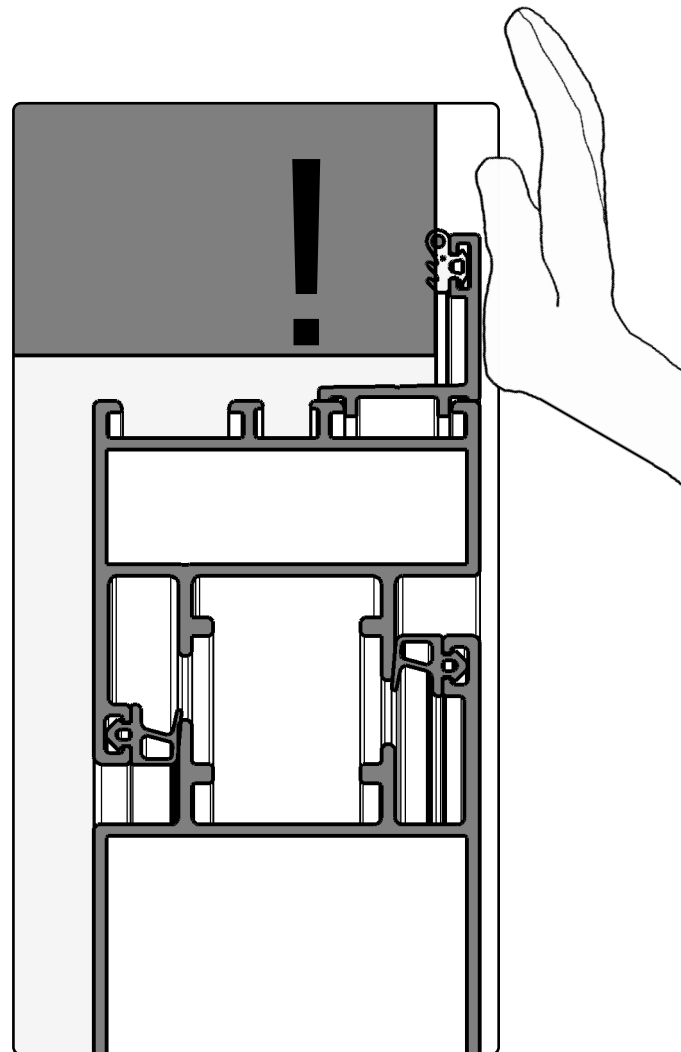
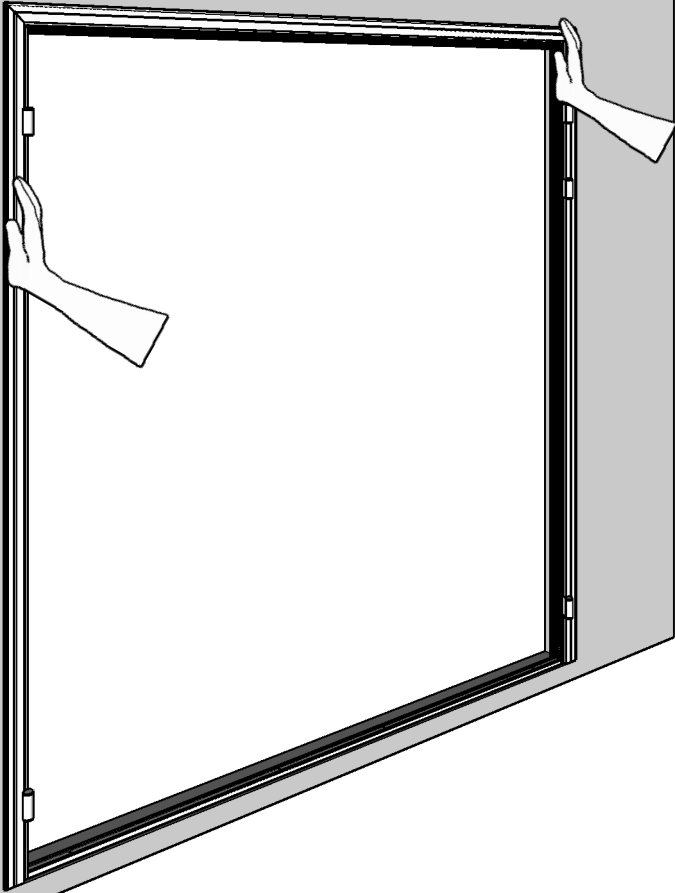
Positions: TU51-2P-7016



Plan:

Positions: TU51-2P-7016

Exterior



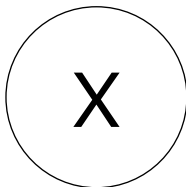
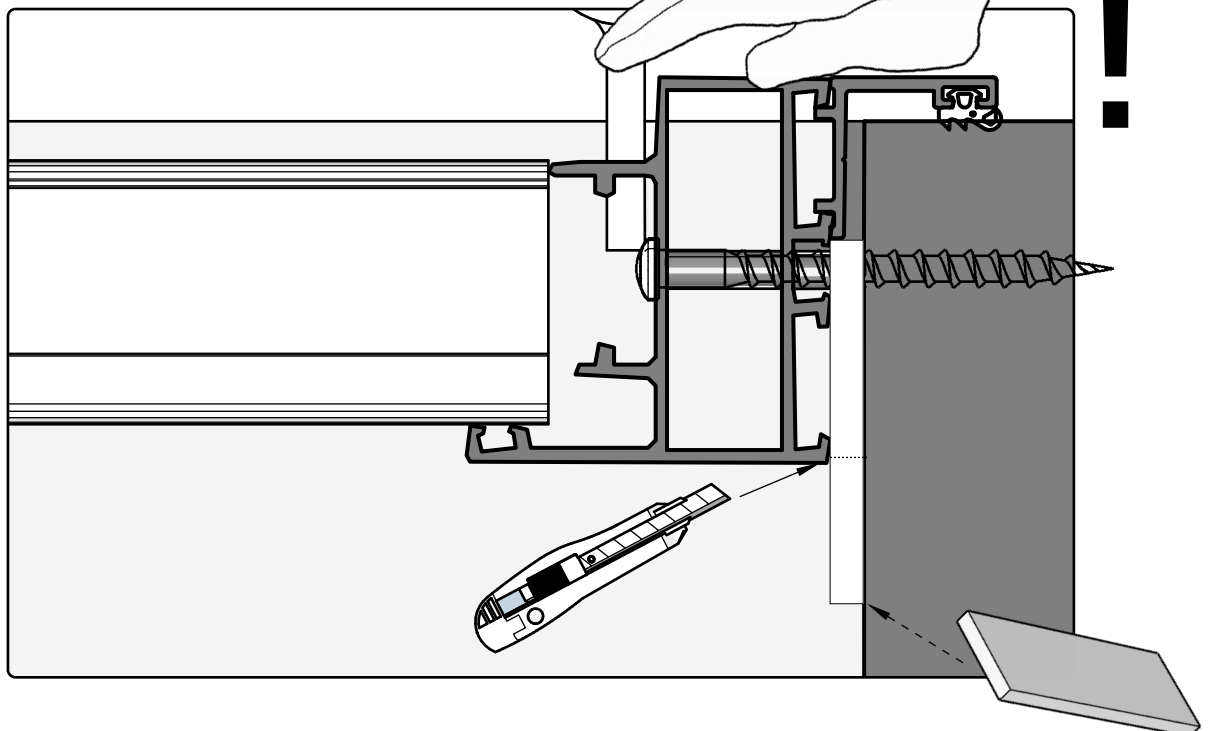
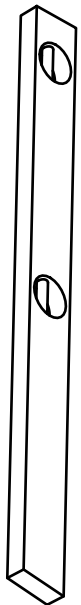
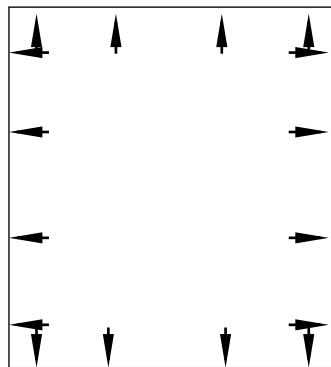
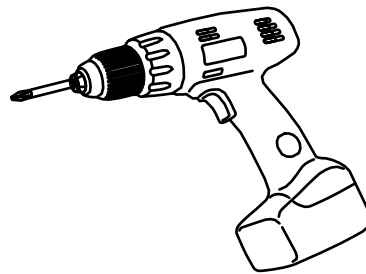
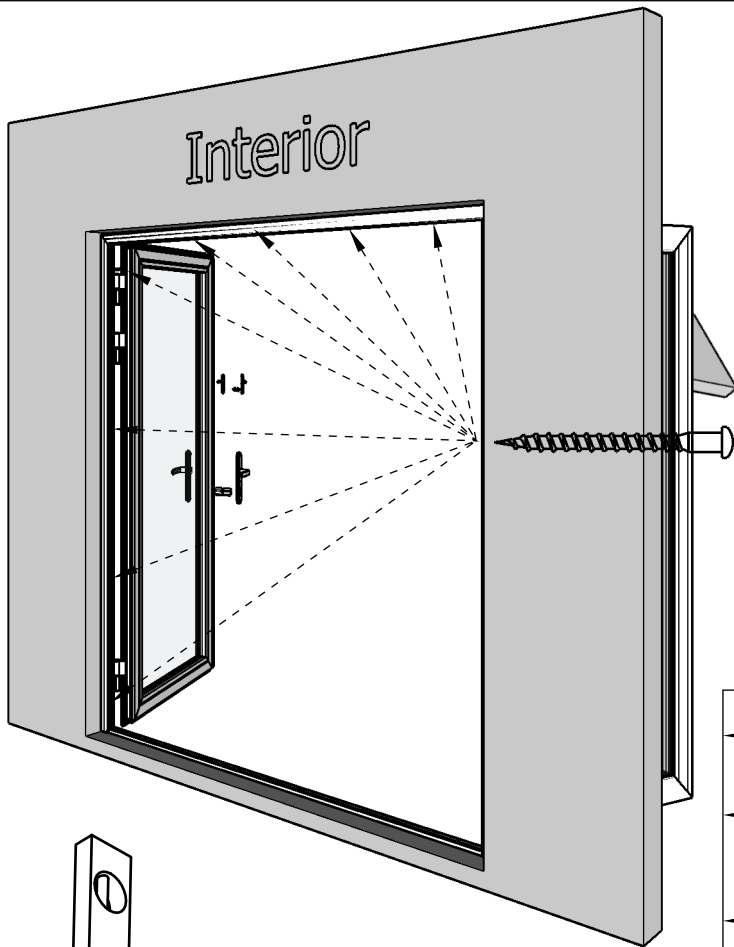
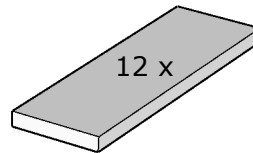
IX

Plan:

Positions: TU51-2P-7016

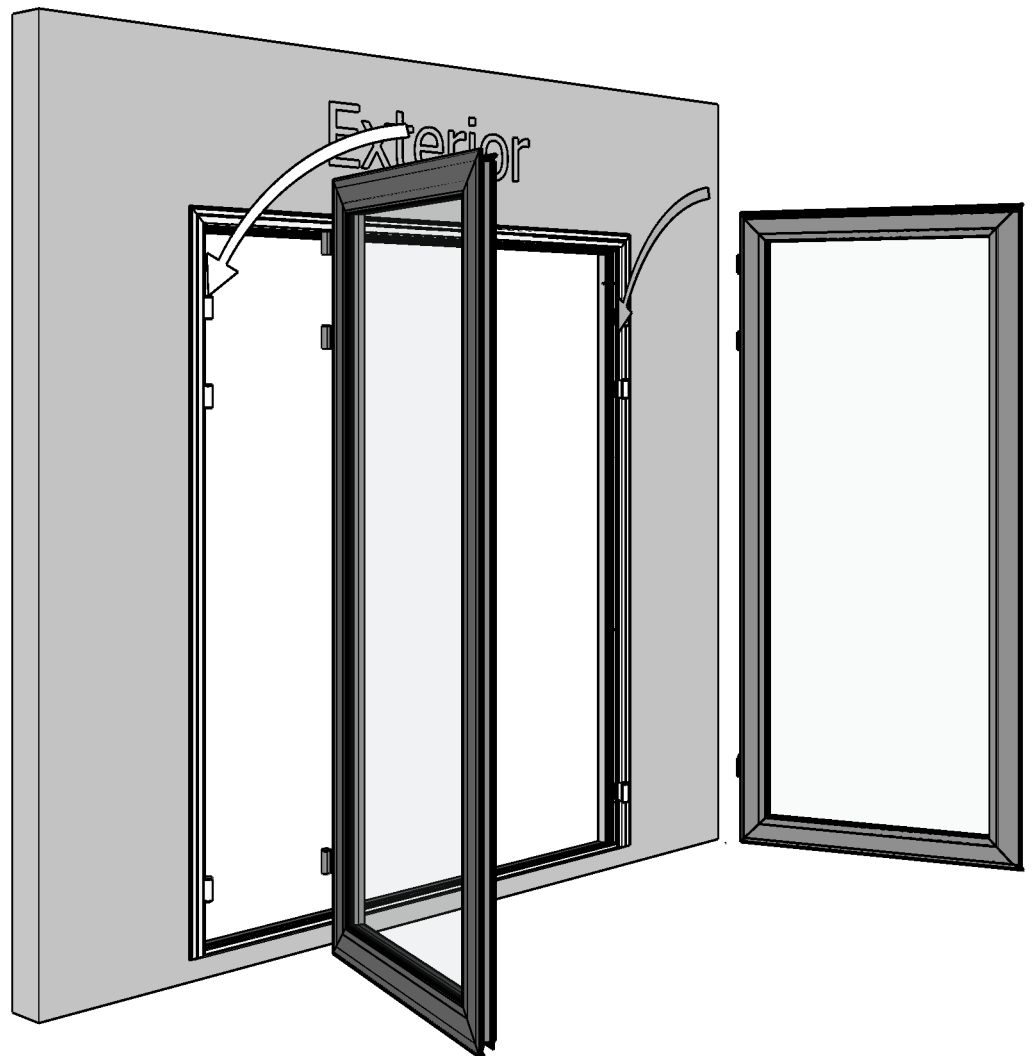
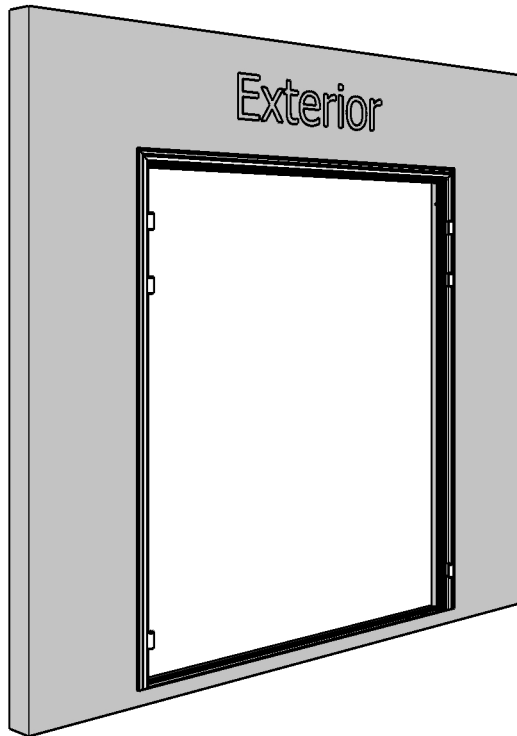


12 x (QKRYP5x40ZnTX)



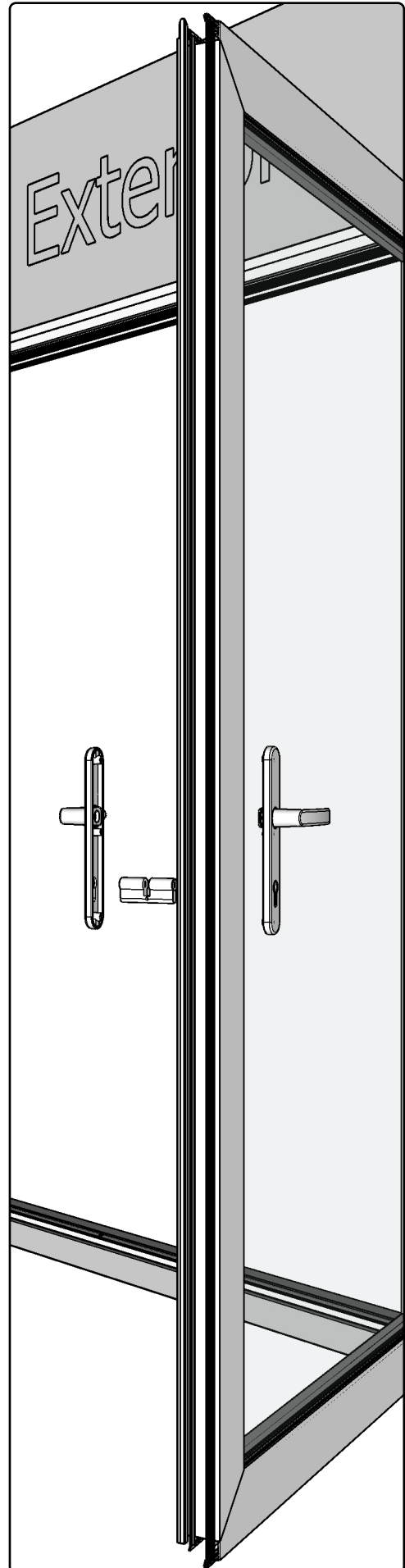
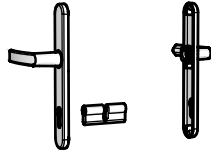
Plan:

Positions: TU51-2P-7016



XI

Plan:
Positions: TU51-2P-7016



Plan:

Positions: TU51-2P-7016

