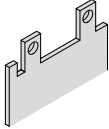
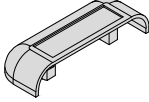
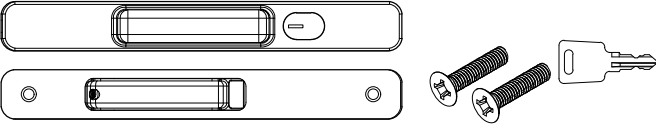
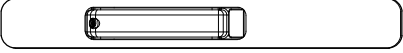
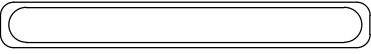
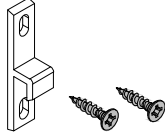
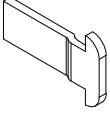

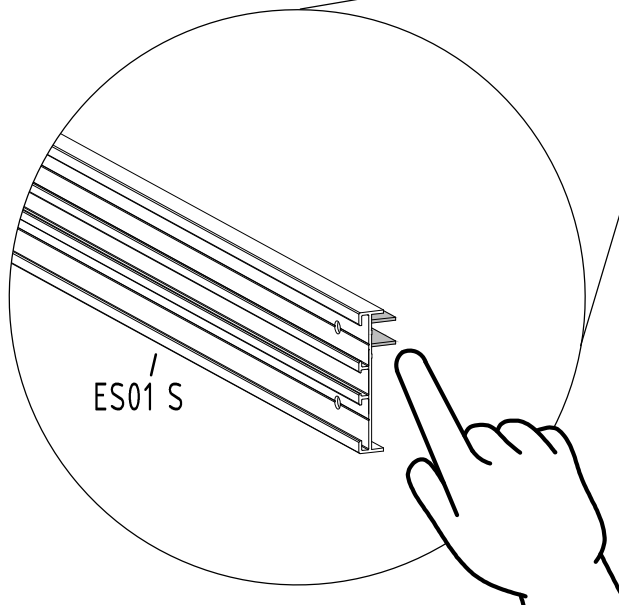
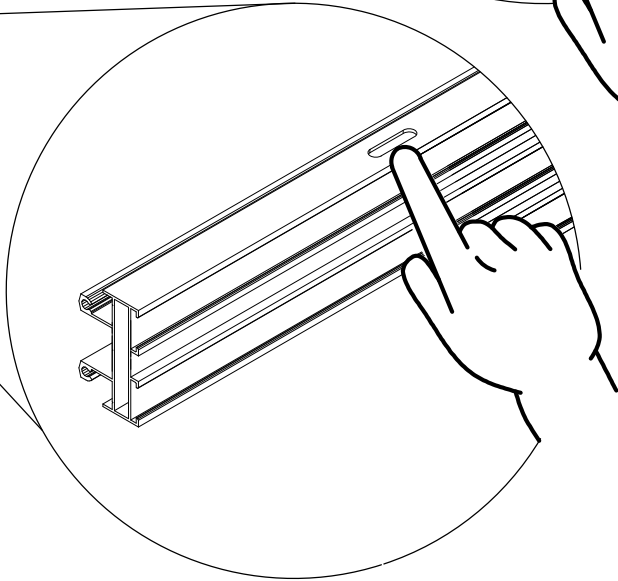
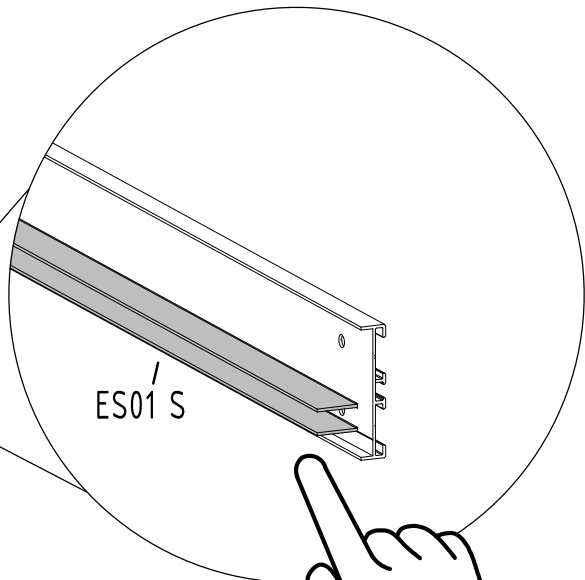
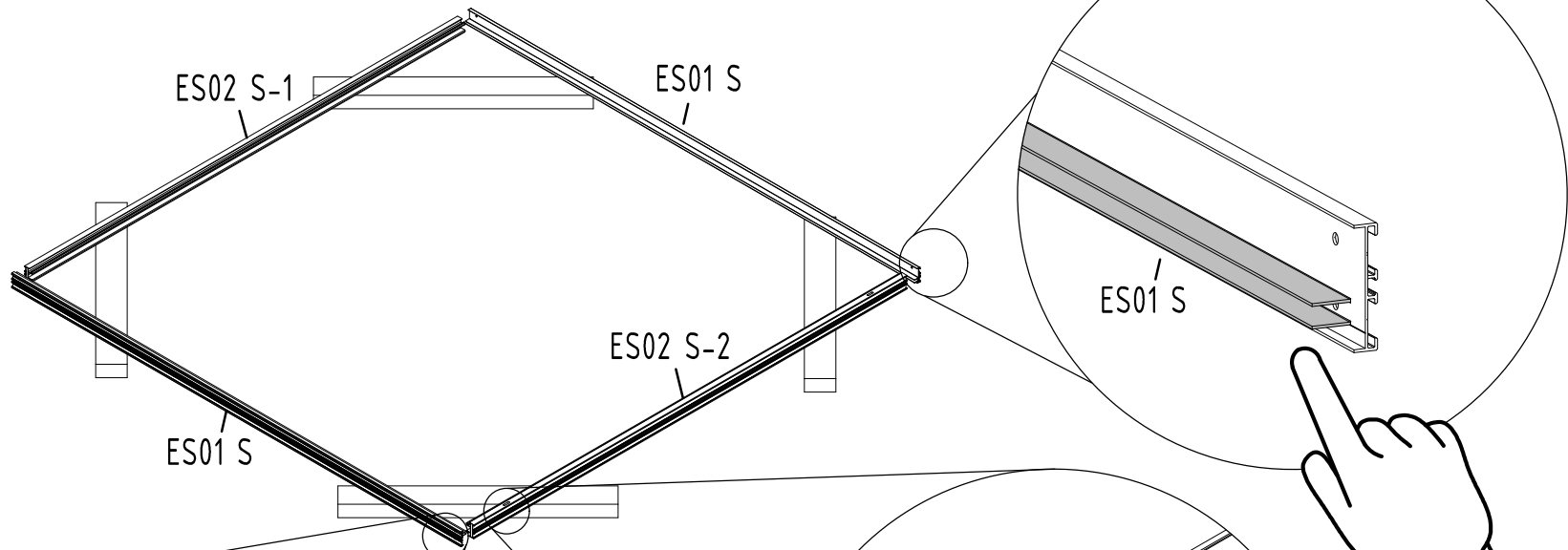
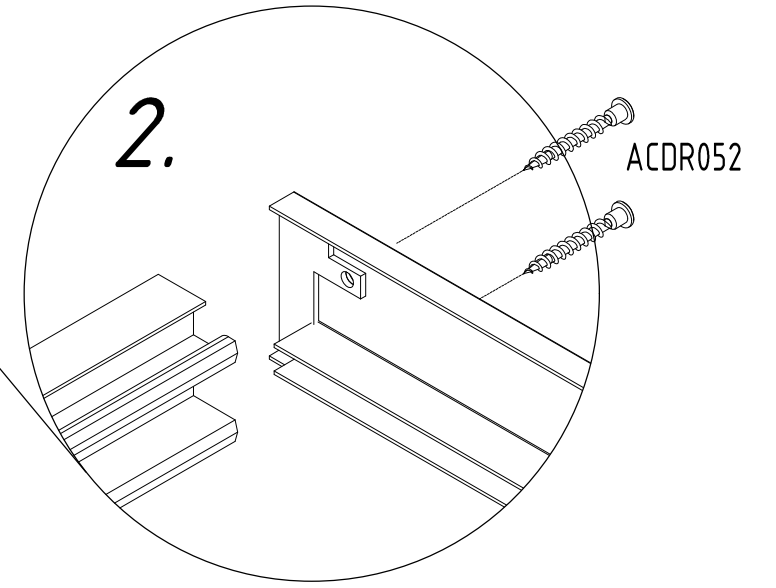
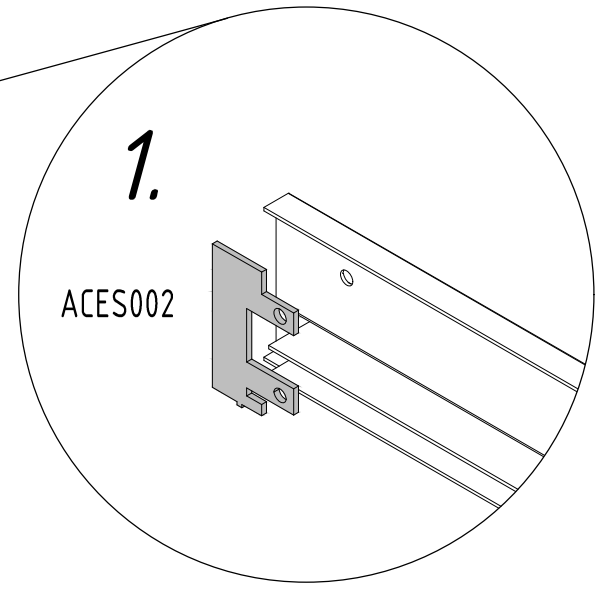
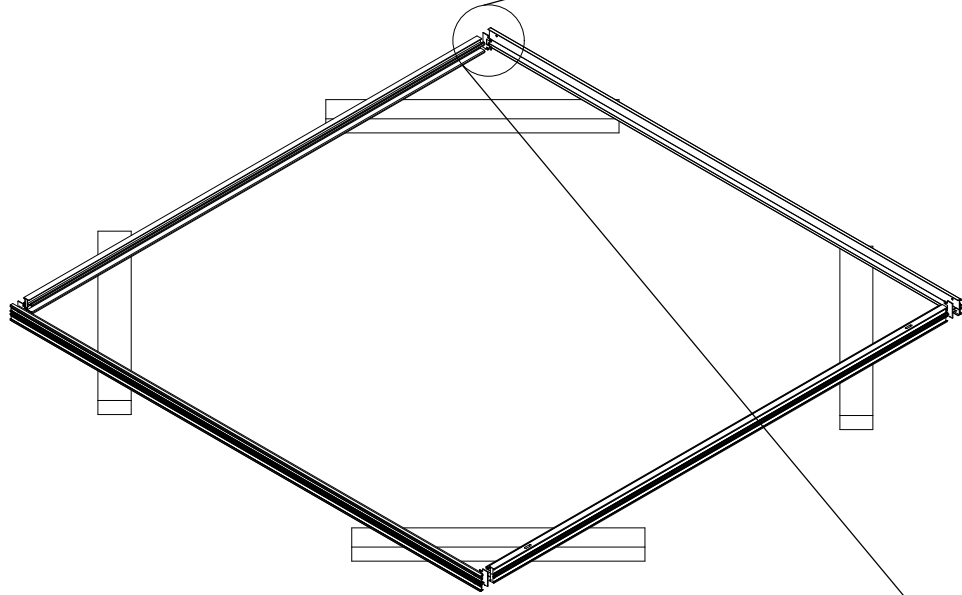


Pos	SPECIFICATION-STÜCKLISTE-NOMENCLATURE-ELEMENTI-ESPECIFICACIÓN MLU54-3P5-7016	3/3	Pcs	Profile (mm)	Length (mm)
QLY-ACES002			4		
QLY-ACSL024Z			2		
QLY-ACES034Z			1		
QLY-ACES020Z			1		
QLY-ACES033			1		
QLY-ACES032			2		
QLY-ACES031			2		
QLY-ACDR052			8		



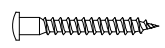


SP1 x1

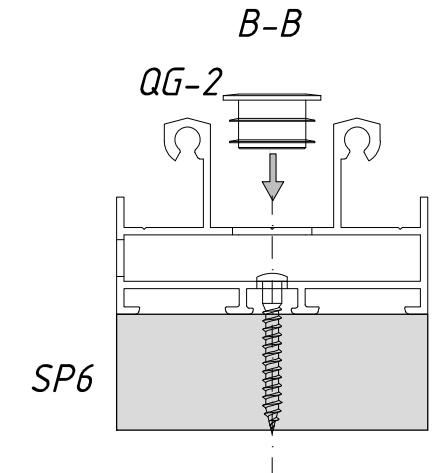
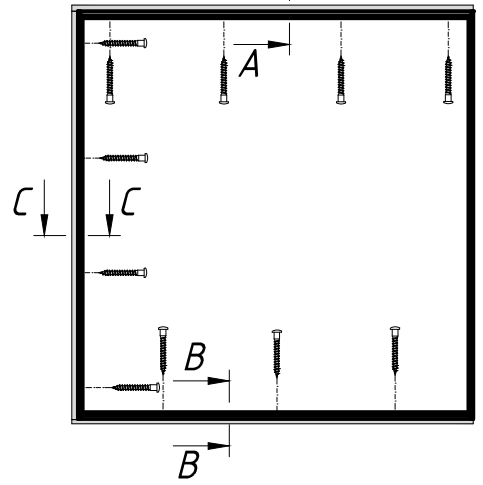
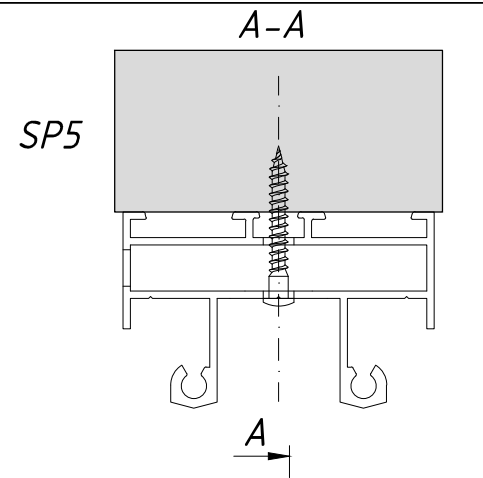
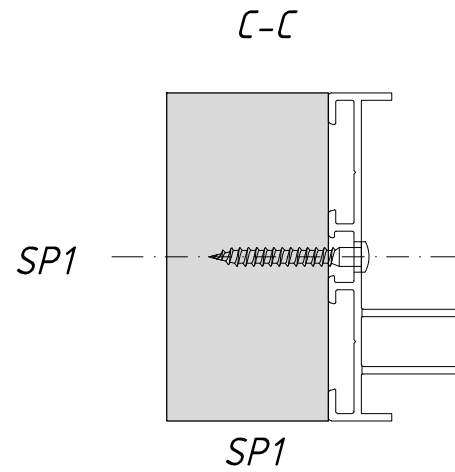
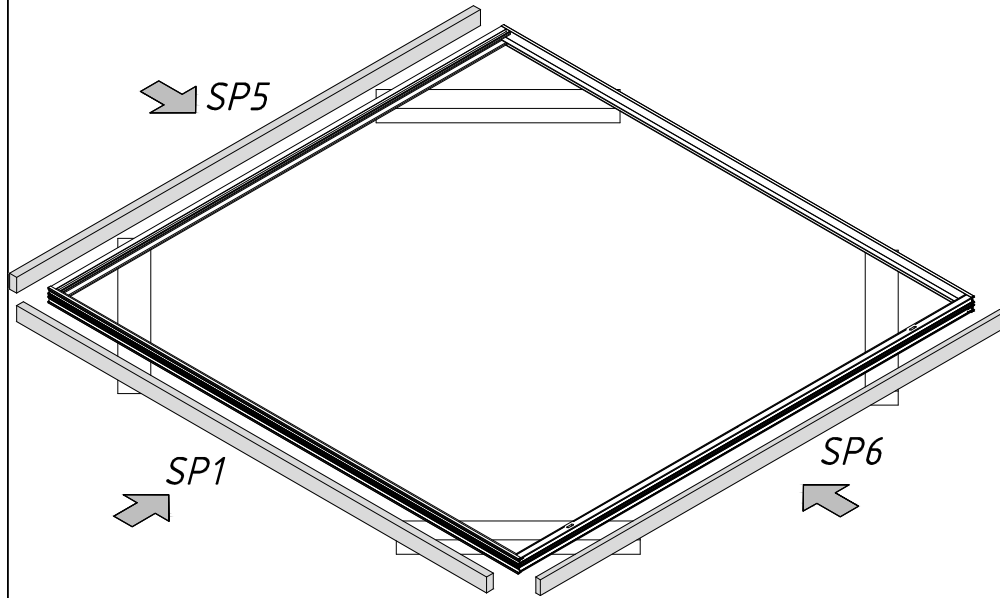
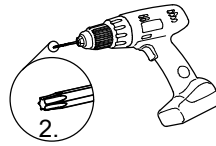
SP5 x1

SP6 x1

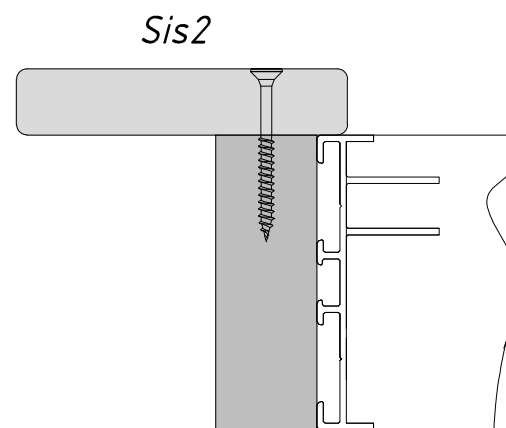
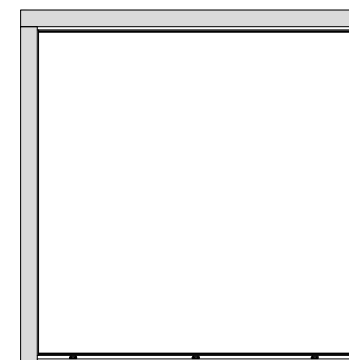
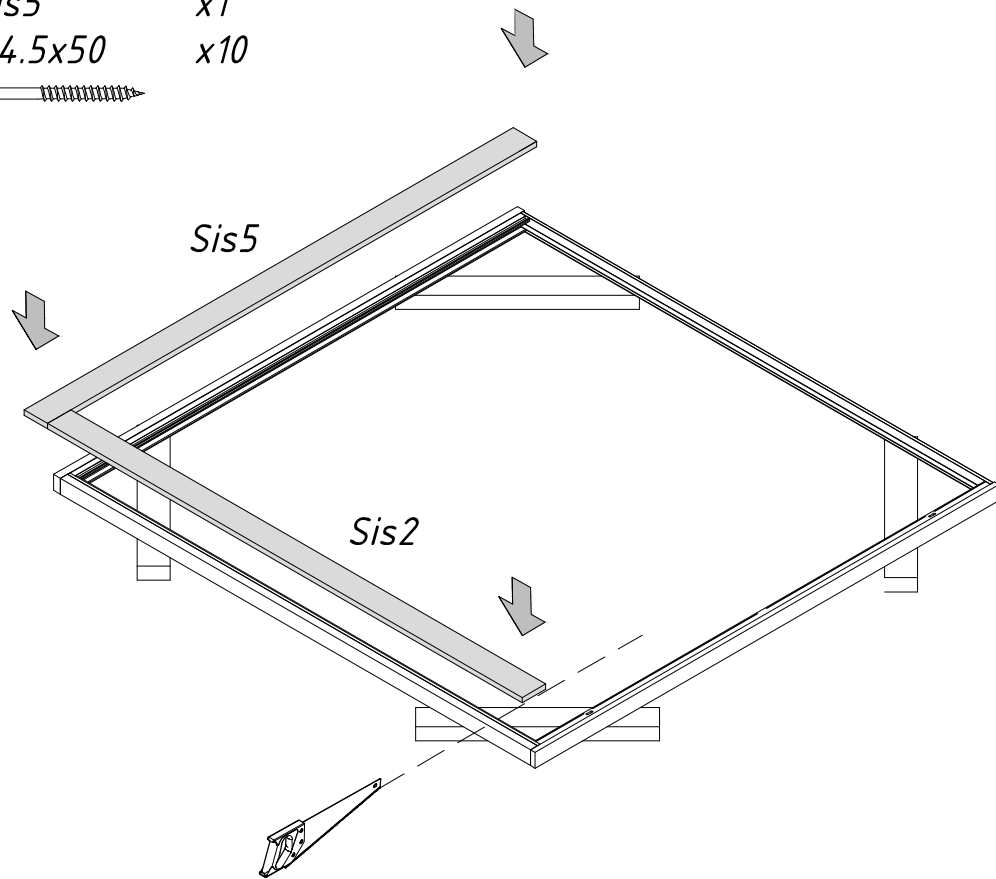
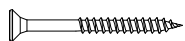
Ø4.5x25 x11

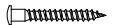


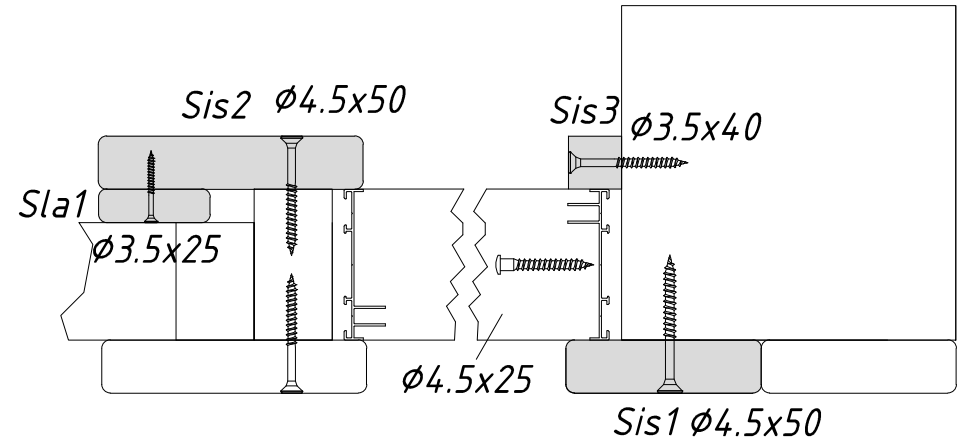
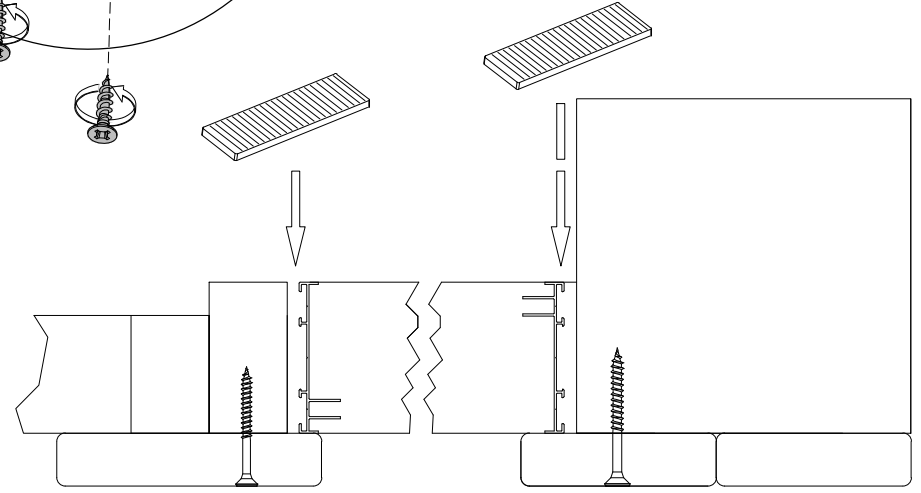
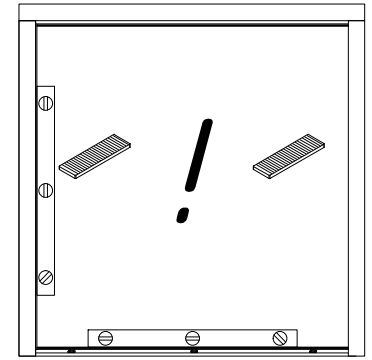
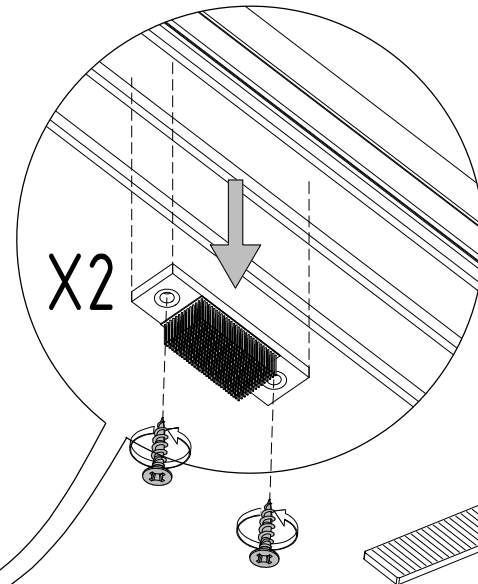
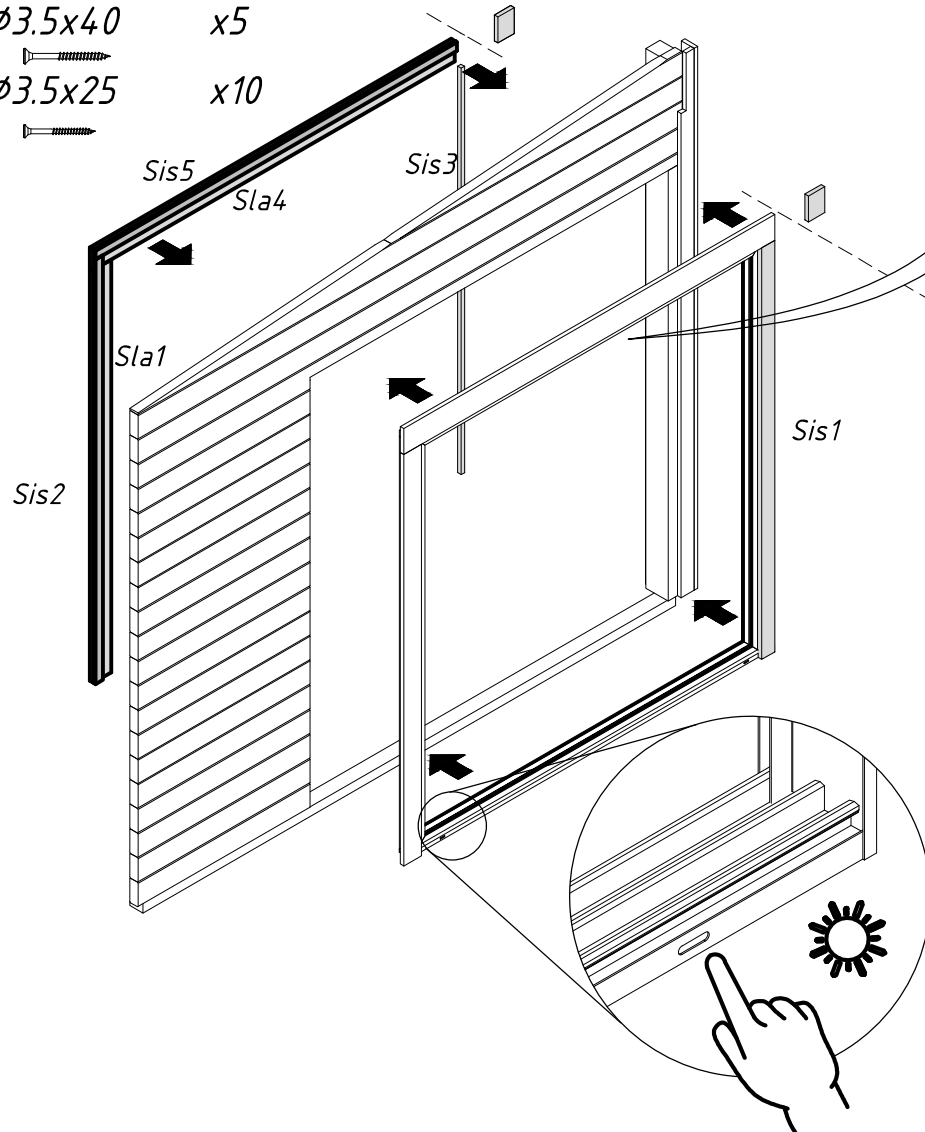
QG-2 x3

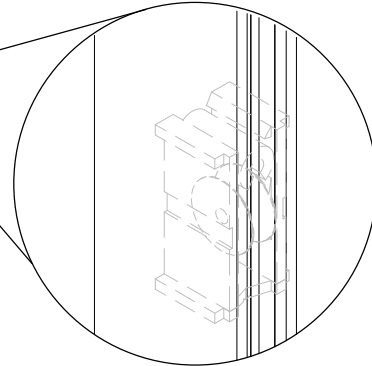
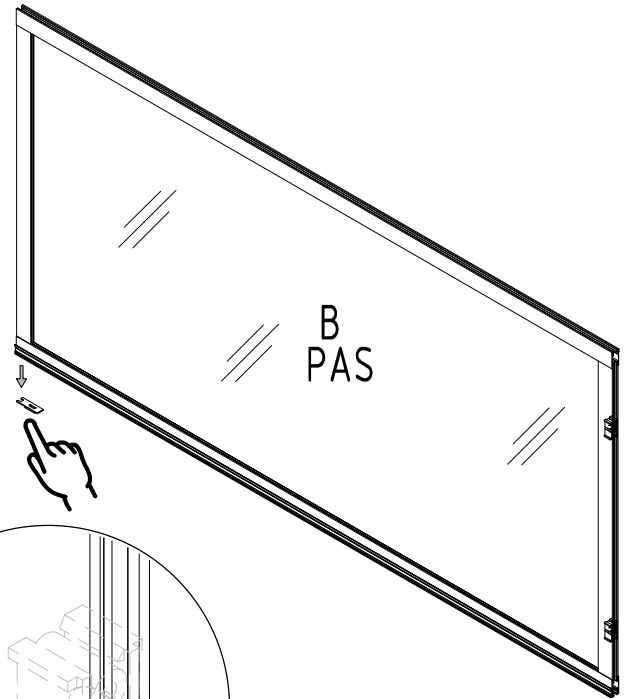
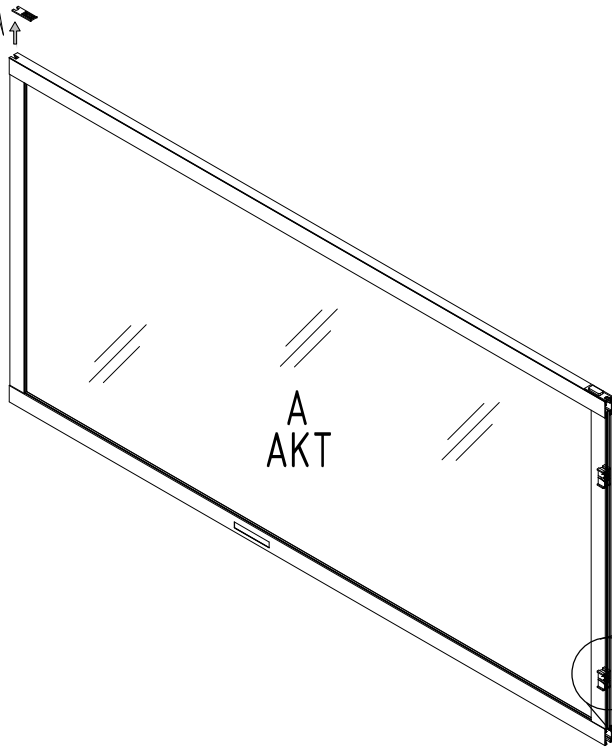
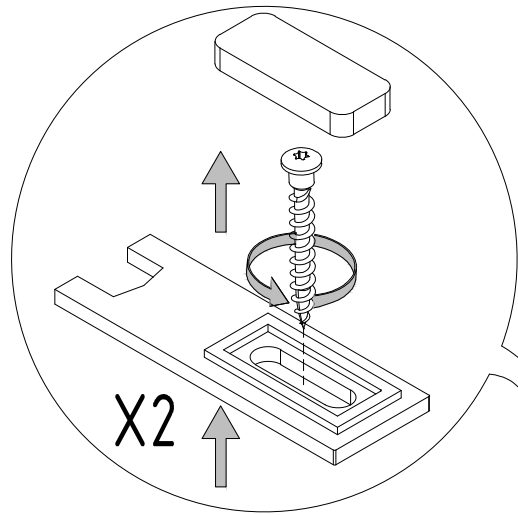


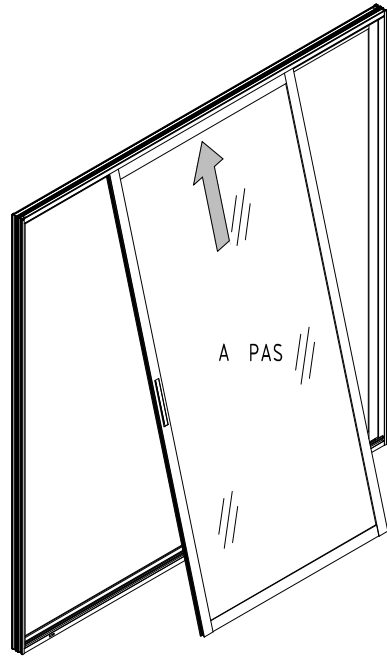
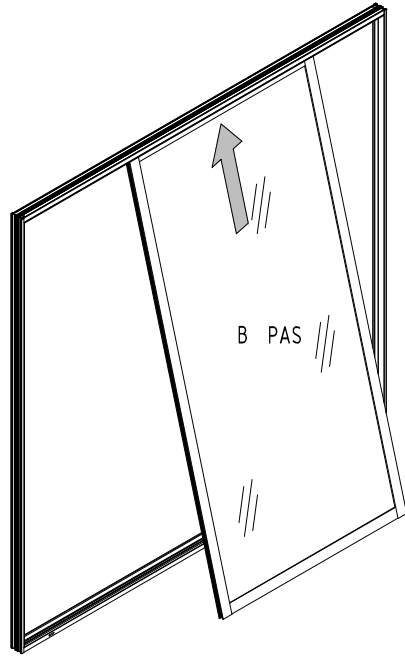
Sis2 x1
Sis5 x1
Ø4.5x50 x10



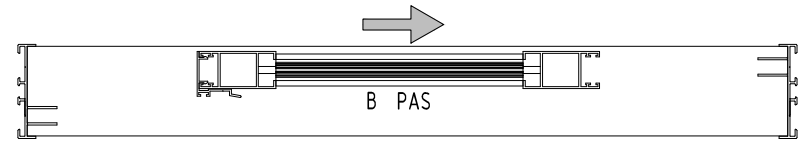
- Sis1 x1 $\phi 4.5 \times 25$ x4
- Sis2 x1 
- Sis3 x1
- Sis5 x1
- Sla1 x1
- Sla4 x1
- $\phi 4.5 \times 50$ x15
- $\phi 3.5 \times 40$ x5
- $\phi 3.5 \times 25$ x10



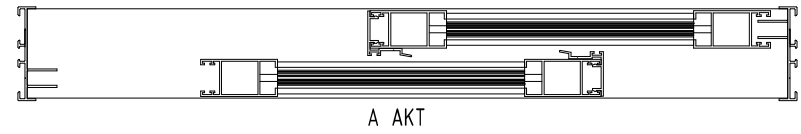


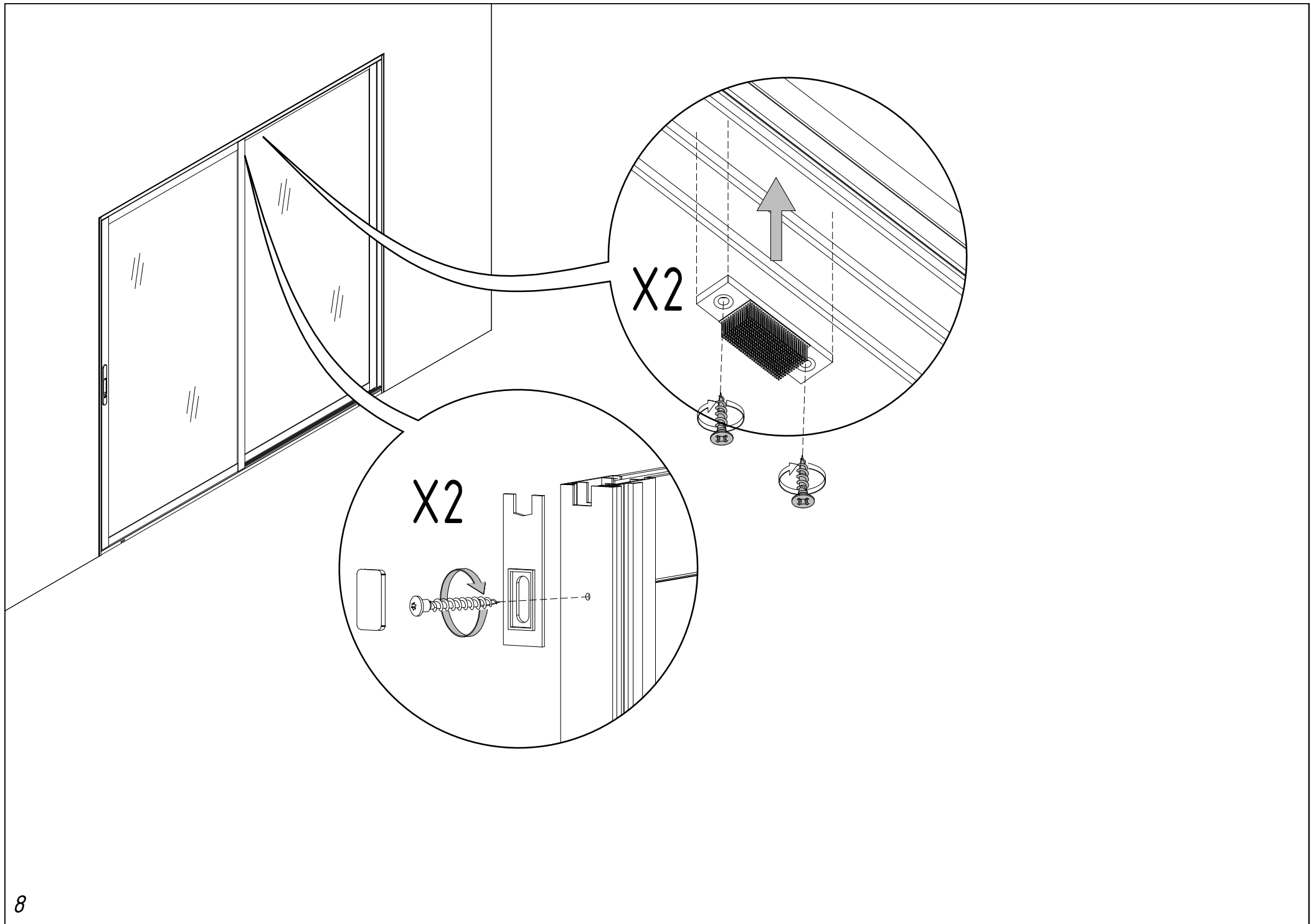


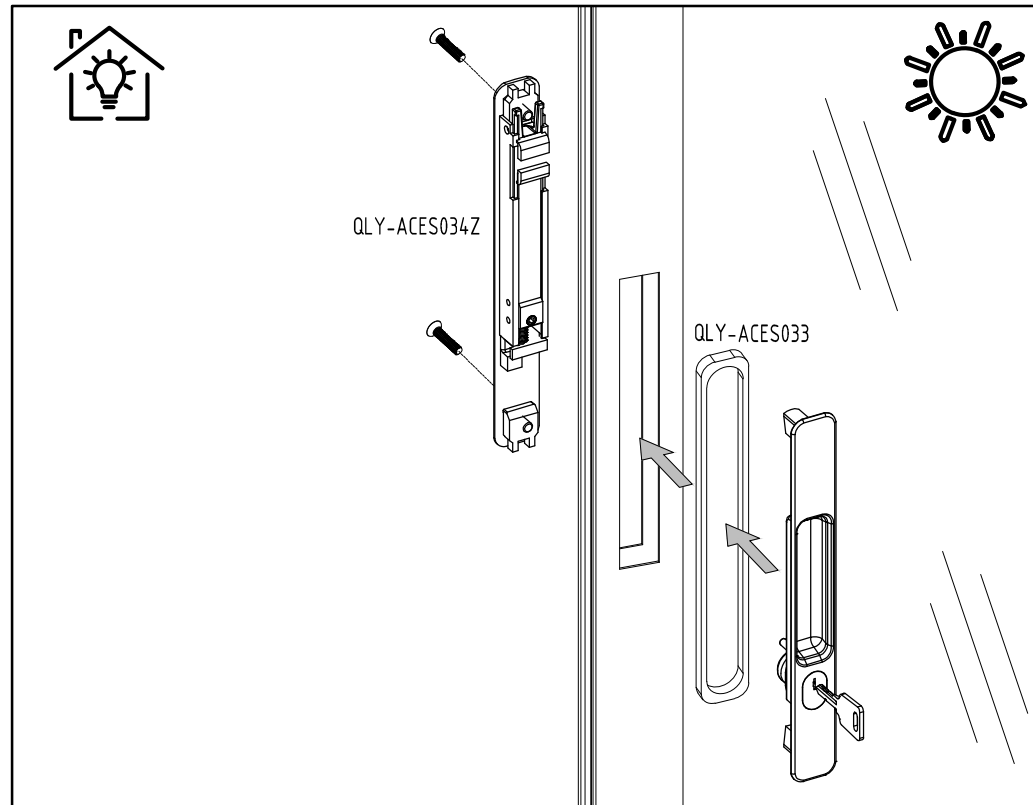
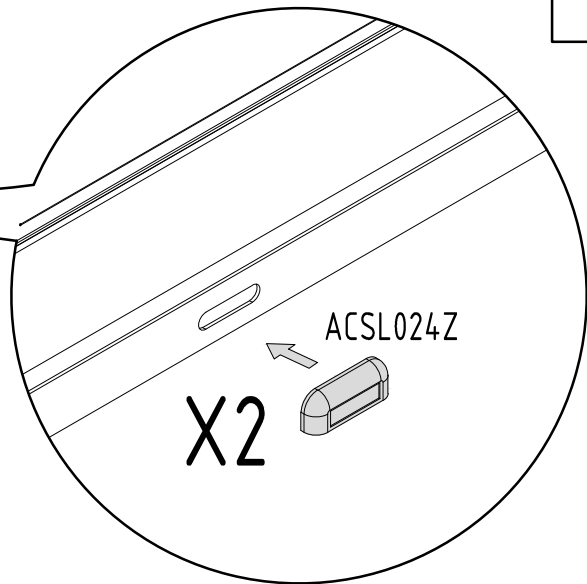
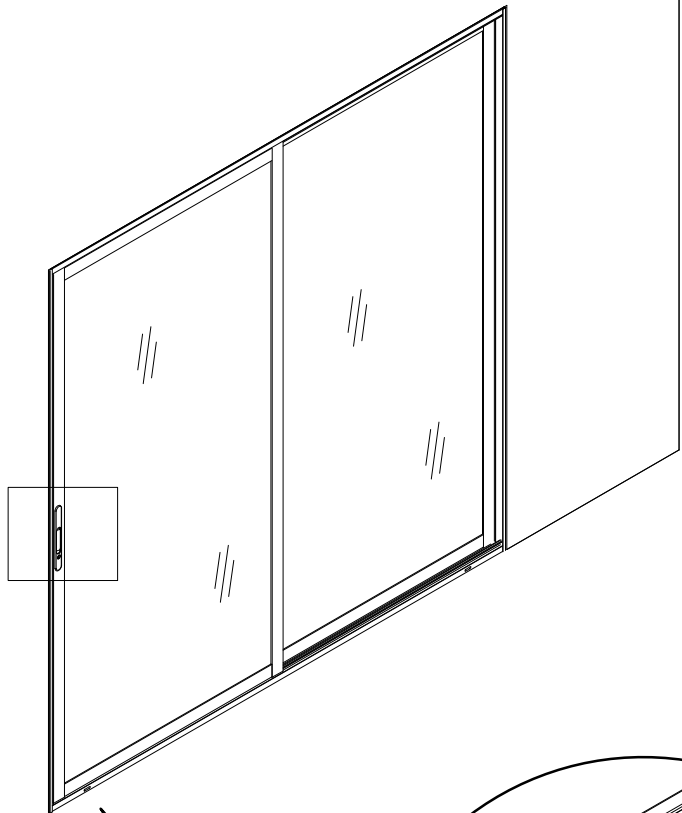
1.

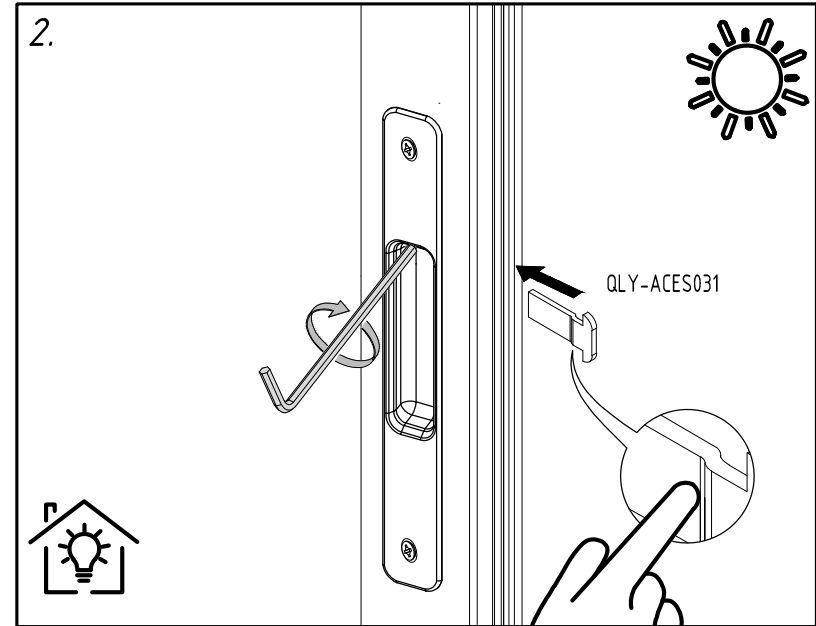
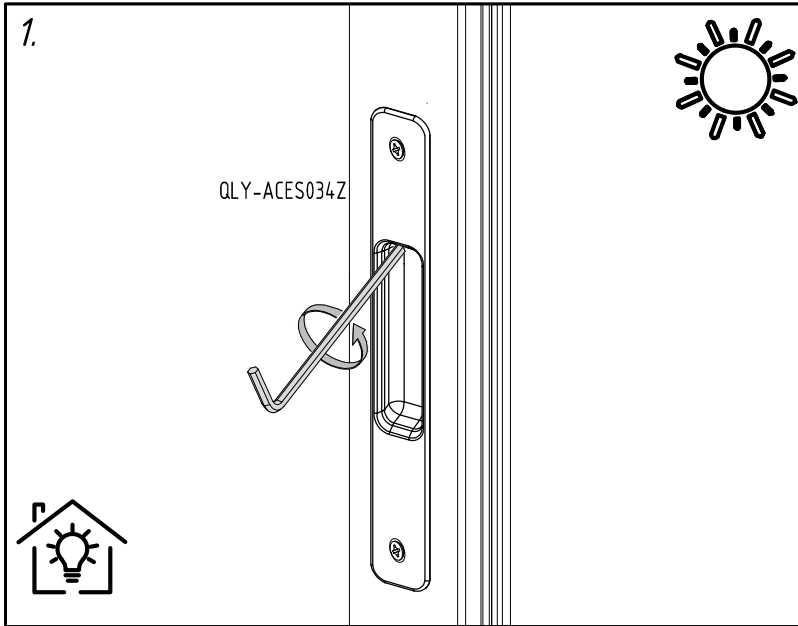


2.

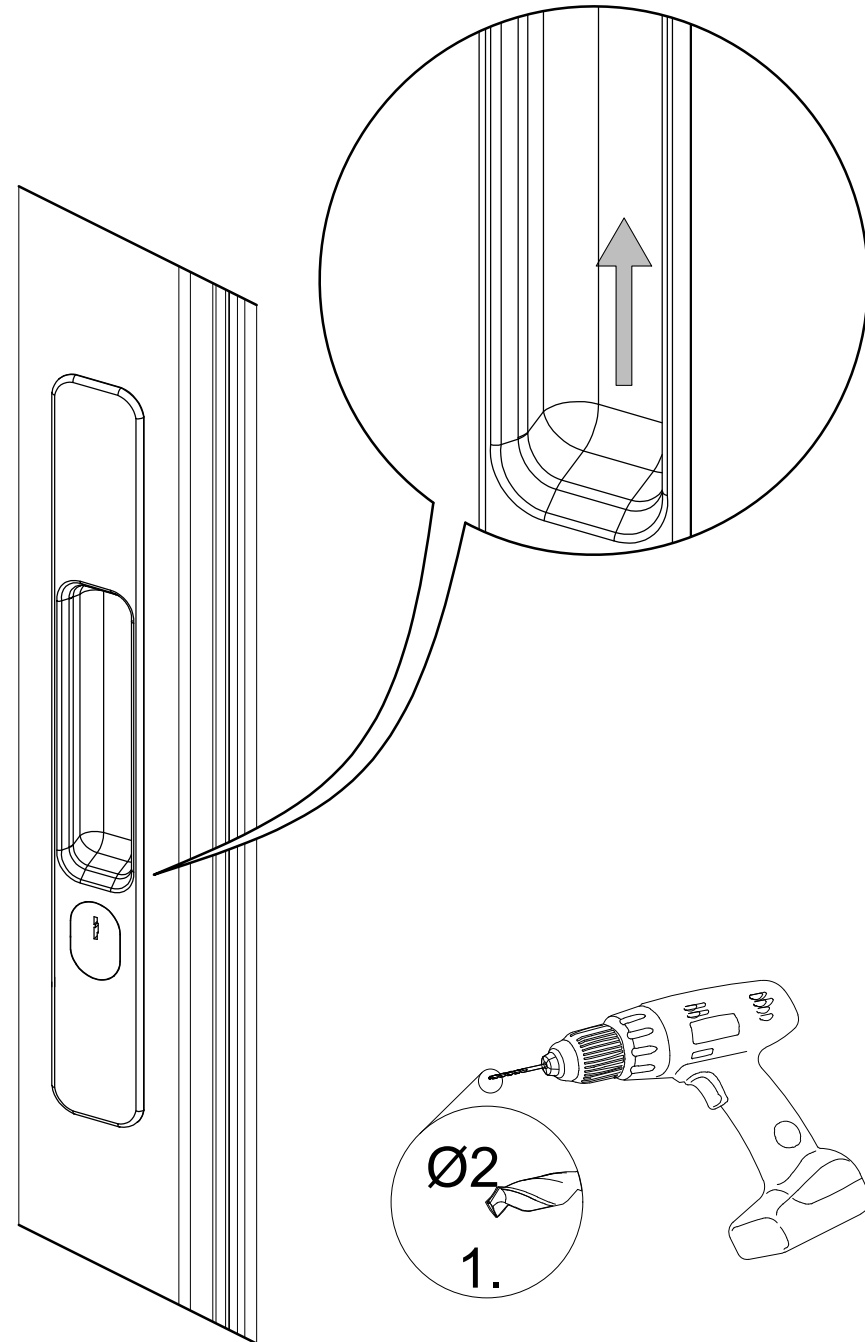
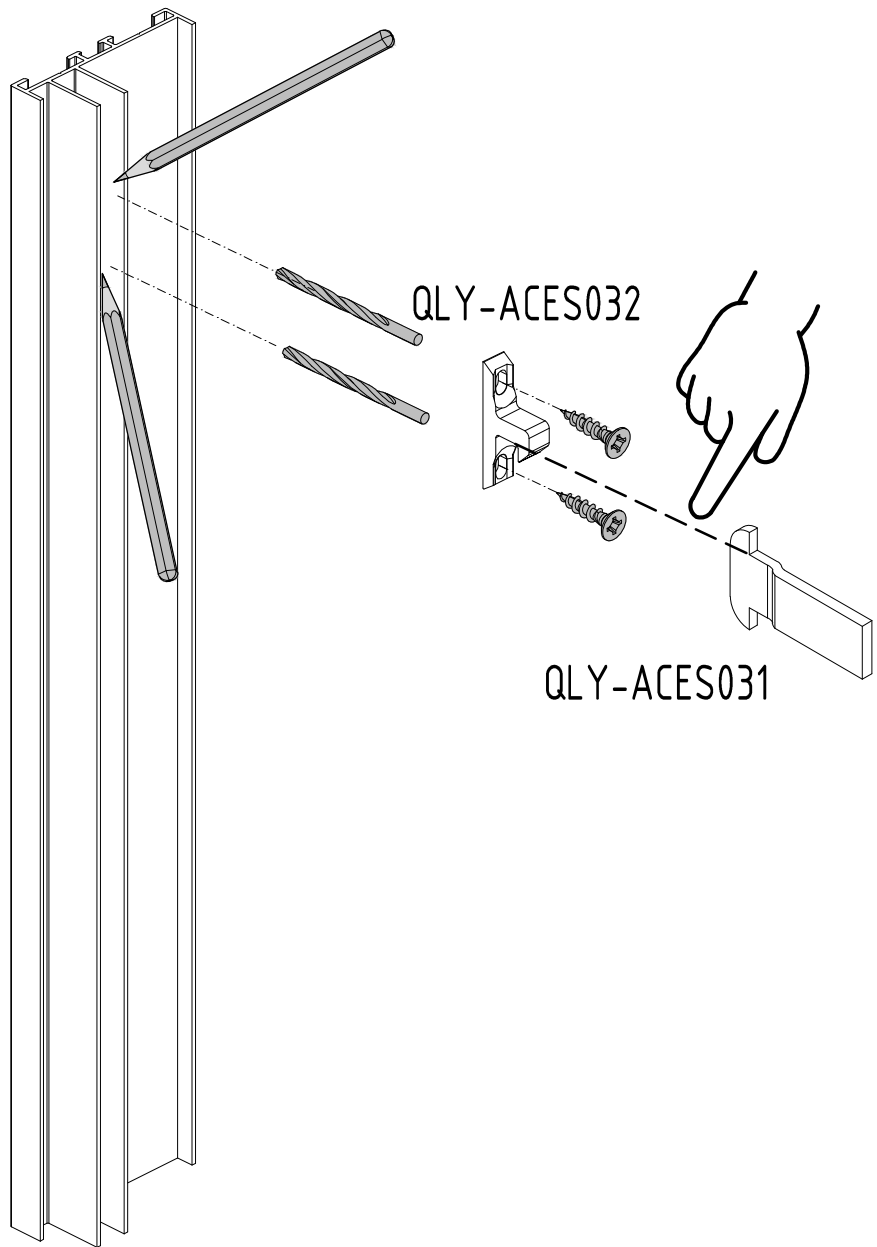


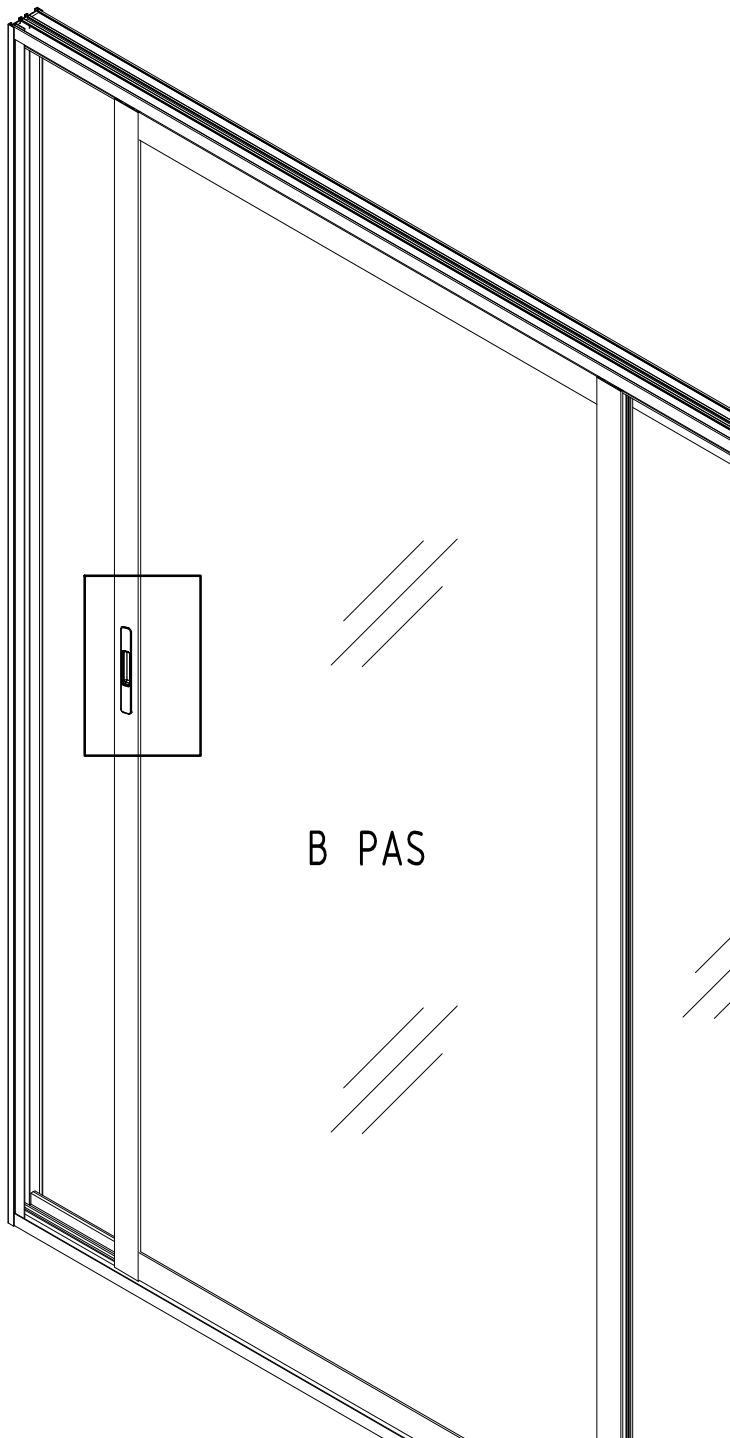




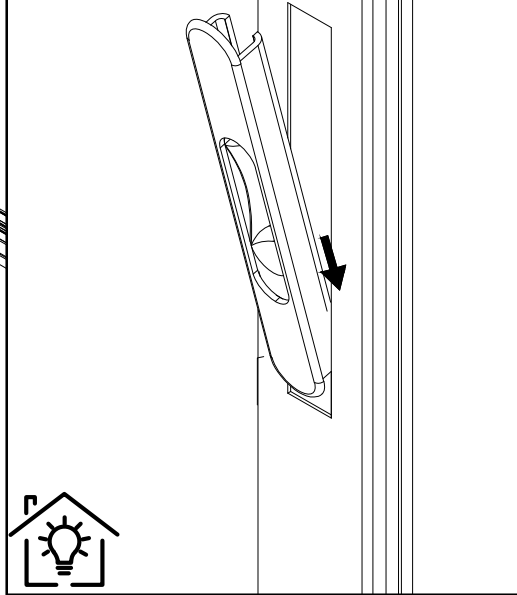


ES01 S





QLY-ACES020Z



QLY-ACES031

