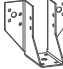










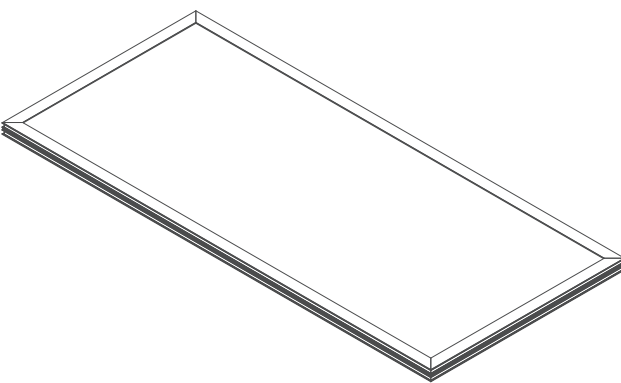
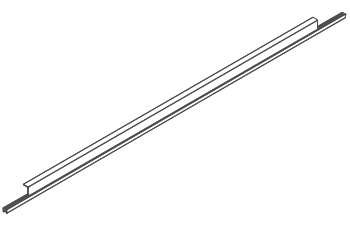

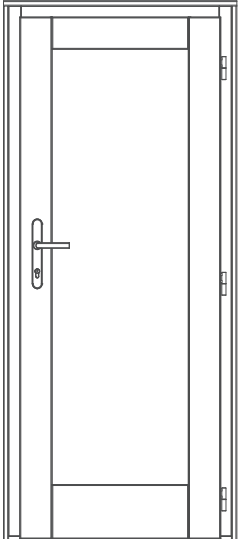
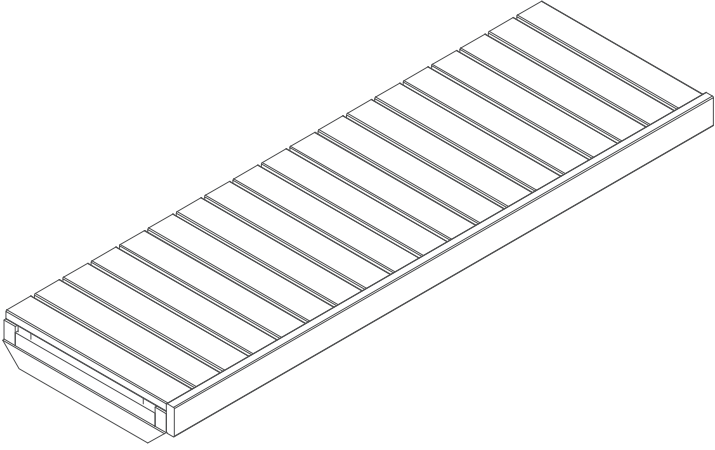
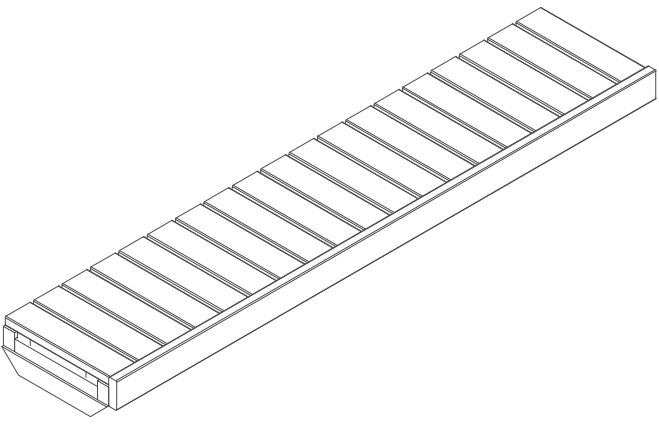
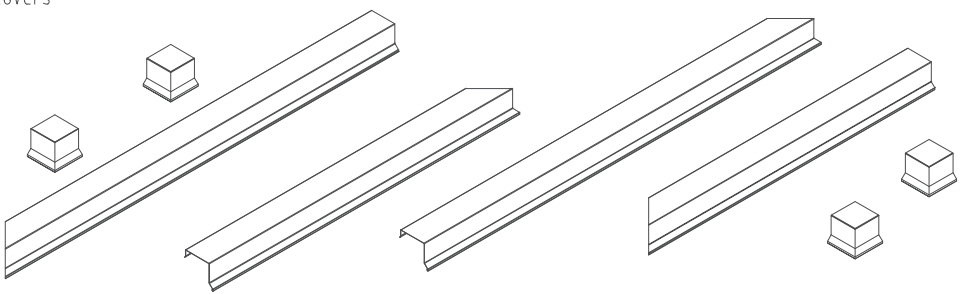
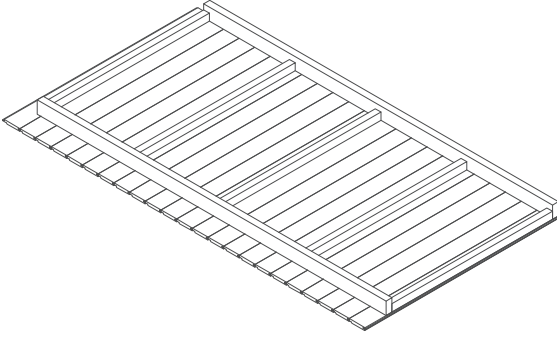
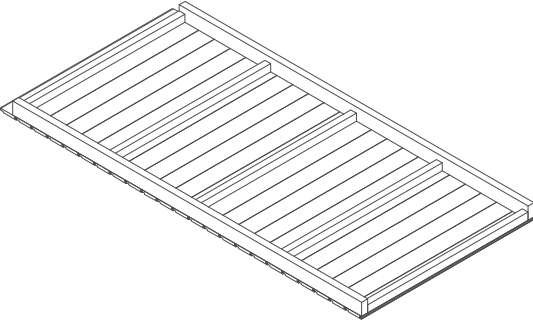
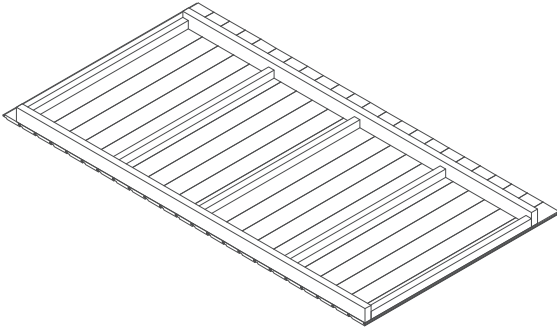

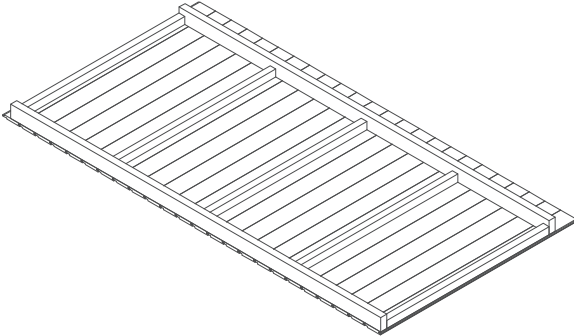
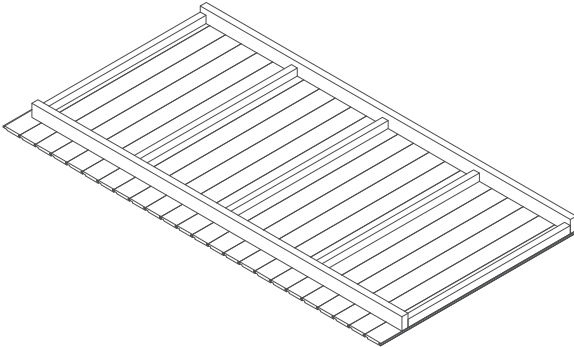
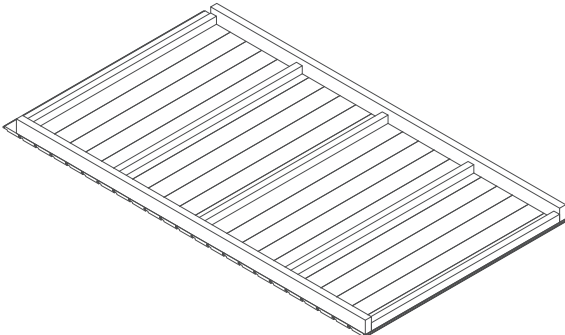


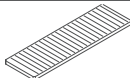
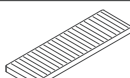


Pos	29.10.2024	SPECIFICATION-STÜCKLISTE-NOMENCLATURE-ELEMENTI-ESPECIFICACIÓN PA120-3222	1/1	Pcs	Profile (mm)	Length (mm)
Fim	-Fixing kit- Befestigungsset- Moyens de fixation- Materiale di fissaggio- Kit de fijación			1		
MMPI30x 600x1200	Finnfoam FF-PIR 30 SAUNA 30x600x1200mm			24		
QTK45 x97Zn	Joist hanger- Balkenschuhe- Étrier a solive- Gancio travetto- Suspensión de la viga- QTK45x97Zn			5		
QNA2 2x50Zn	Nail- Nagel- Clou- Chiodo- Clavo- 2.5x50mm			1500		
QKRPP3 _5x50Zn	Screw- Schraube- Vis- Vite- Tornillo- 3.5x50mm			60		
QKRPP4 _5x70Zn	Screw- Schraube- Vis- Vite- Tornillo- 4.5x70mm			280		
QKRKK4 _8x28MU	Screw- Schraube- Vis- Vite- Tornillo- 4.8x28mm MU			20		
QKRPP 4x40Zn	Screw- Schraube- Vis- Vite- Tornillo- 4x40mm			100		
QKRPP 4x60Zn	Screw- Schraube- Vis- Vite- Tornillo- 4x60mm ZnY			160		
QKRYP5 x40ZnTX	Screw- Schraube- Vis- Vite- Tornillo- 5x40mm			50		
QKRPP5 x90ZnTX	Screw- Schraube- Vis- Vite- Tornillo- 5x90mm TX			180		
QKRPP6x 120ZnTX	Screw- Schraube- Vis- Vite- Tornillo- 6x120mm TX			8		
QKRPP8x 220kZnTX	Screw- Schraube- Vis- Vite- Tornillo- 8x220mm			8		
A51-4-7016	Window 			2		
	Gutter 					
QKRYP5x60Zn	Screw- Schraube- Vis- Vite- Tornillo- 5x60mm			16		

Pos	29.10.2024 SPECIFICATION-STÜCKLISTE-NOMENCLATURE-ELEMENTI-ESPECIFICACIÓN PA120-3222	1/1	Pcs	Profile (mm)	Length (mm)
U44-106P			1		
EL8				1900x600	
EL7				1900x400	
	<p data-bbox="242 1870 311 1904">Covers</p> 				

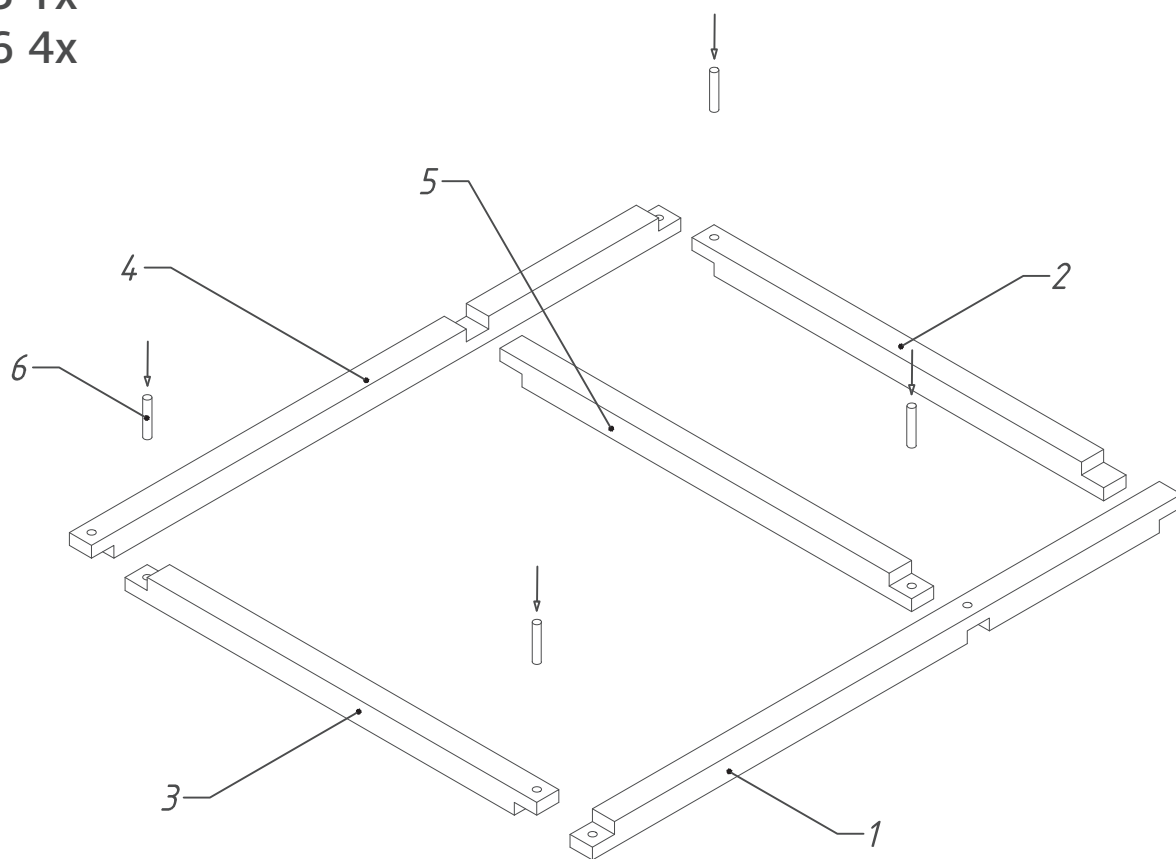
Pos	29.10.2024 SPECIFICATION-STÜCKLISTE-NOMENCLATURE-ELEMENTI-ESPECIFICACIÓN PA120-3222		Profile	Length
EL1			2047x1099	
EL2			2047x1099	
EL3			2047x979	
QLY-SL076S-1		2		945

Pos	29.10.2024 SPECIFICATION-STÜCKLISTE-NOMENCLATURE-ELEMENTI-ESPECIFICACIÓN PA120-3222		Profile	Length
EL4			2136x1110	
EL5			2136x1110	
EL6			2047x1137	
QPOSP 4x50Zn	Bolt -Schloss-schraube -Boulon- Bullone- Perno- M4x50mm KSP0		4	
QMUK K4Zn	Nut- Schraubenmutter- Écrou- Dado- Tuerca- M4mm		4	
QPL20x 100x2PET			24	
QPL20x 100x3PET			24	

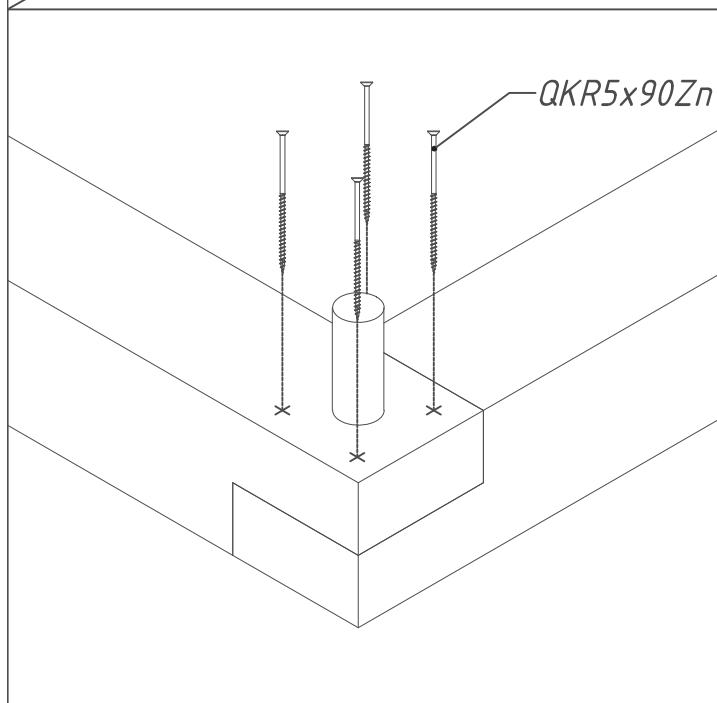
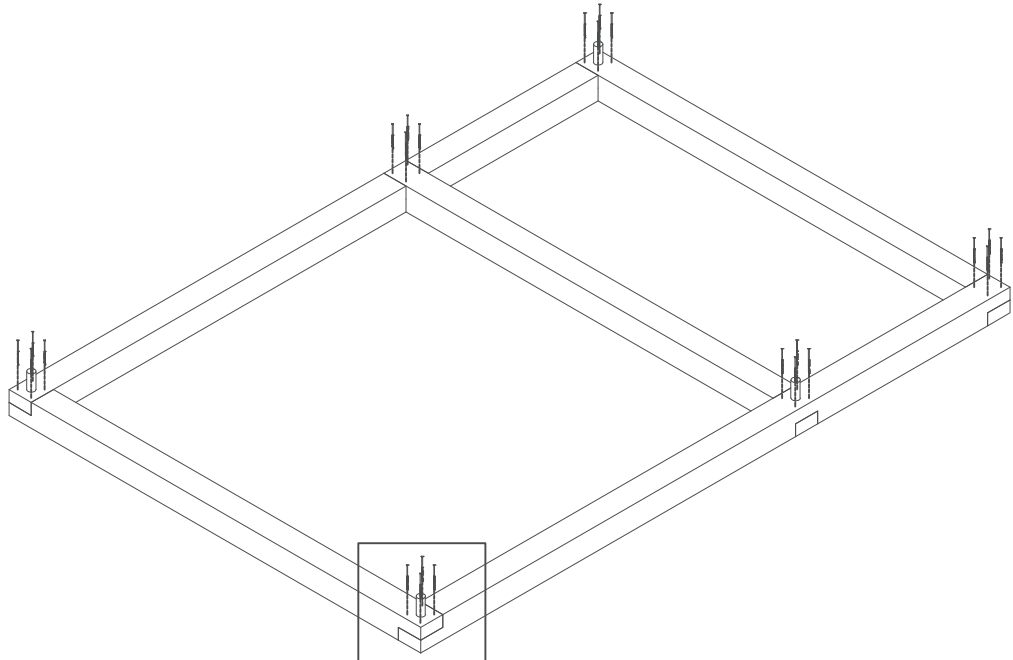
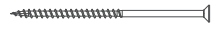
Pos	Name	Pcs	Length	Width	Height
1	Bottom frame	1	3177	120	120
2	Bottom frame	1	2220	120	120
3	Bottom frame	1	2220	120	120
4	Bottom frame	1	3177	120	120
5	Bottom frame	1	2220	120	120
6	Dowel	8	185	35	35
7	Floorbeam support	2	1980	45	45
8	Floorbeam support	2	916	45	45
9	Floorbeam	6	1901	45	70
10	Terrace floor beam	3	1980	45	70
11	Frame Post	3	2040	120	120
13	Frame Post	1	2100	120	120
14	Top frame beam	1	3177	120	120
15	Top frame beam	1	2220	120	120
16	Top frame beam	1	2220	120	120
17	Top frame beam	1	3177	120	120
18	Top frame beam	1	2220	120	120
19	Wall cladding outside	1	3177	16	98
20	Terrace board	15	916	120	28
21	Floorboard	15	1980	120	28
27	Wall insulation batten	9	1980	40	32
28	Wall insulation batten	4	2100	40	32
29	Rafter	2	2100	44	101
30	Rafter	5	2100	44	101
31	Ceiling insulation slat	6	2100	19	19
32	Wall cladding	22	2937	15	98
33	Sauna bench support	2	500	120	32
34	Sauna bench support	4	1000	120	32
35	Väliswoodrilaud	46	1099	98	15
36	Wall cladding	24	1980	16	98
37	Wall cladding	23	1137	15	98
38	Door covering board	3	1980	70	19
39	Door covering board	1	807	70	19
40	Roofboard	24	2937	15	98
41	Undercover beam	2	2220	120	44
42	Undercover beam	1	2937	120	44
43	Top cladding for covers	2	2220	16	98
44	Top cladding for covers	1	3177	16	98
45	Outside covering board	4	2085	16	70
46	Outside covering board	4	2145	70	16
47	Terrace ceiling frame	1	1036	70	19
48	Terrace ceiling frame	1	2100	70	19
49	Door covering board	1	873	120	19
50	Terrace ceiling board	24	966	16	98
51	Wall cladding	1	1137	16	98
52	Door covering board	1	1910	70	19
53	Door covering board	1	2084	45	29
54	Outside covering board	1	2136	70	16
55	Window slat	2	2068	19	19
56	Window slat	2	1863	19	19
57	Ceiling board	23	1900	15	98
58	Trim	1	1889	45	16
59	Trim	1	1070	45	16
60	Trim	1	2036	45	16
61	Floor slat	1	1887	70	16
62	Window slat	1	2084	19	19
63	Window slat	1	2055	19	19
64	Sauna bench suppor	2	370	58	40
65	Sauna bench suppor	2	570	58	40
66	Heater railing	2	370	45	28
67	Heater railing	2	390	28	45
69	Heater railing	2	510	45	28
70	Heater railing	1	690	90	28

Pos.

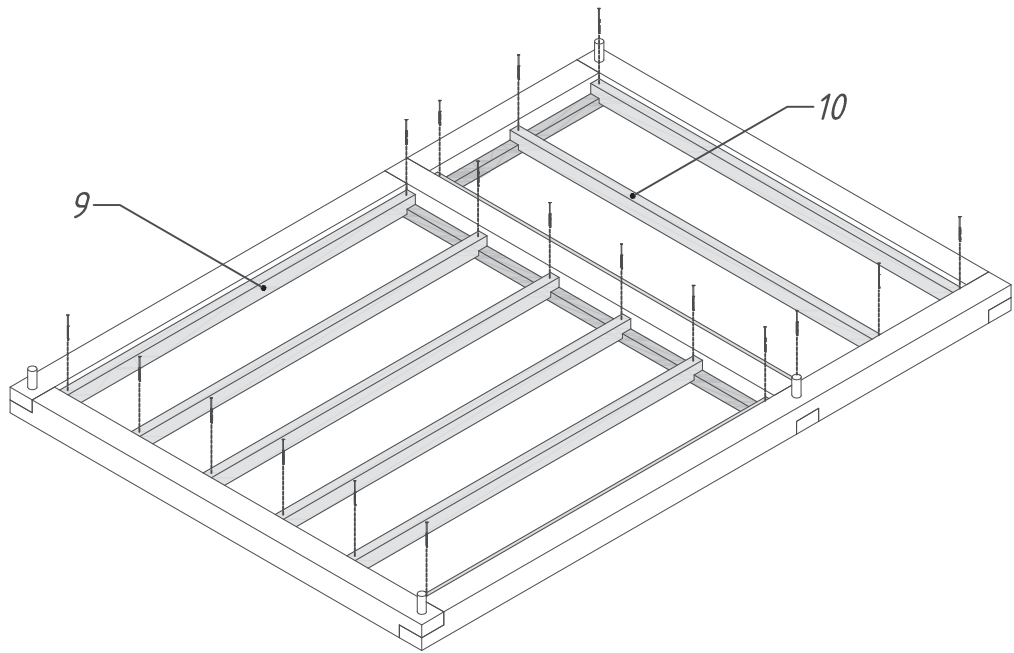
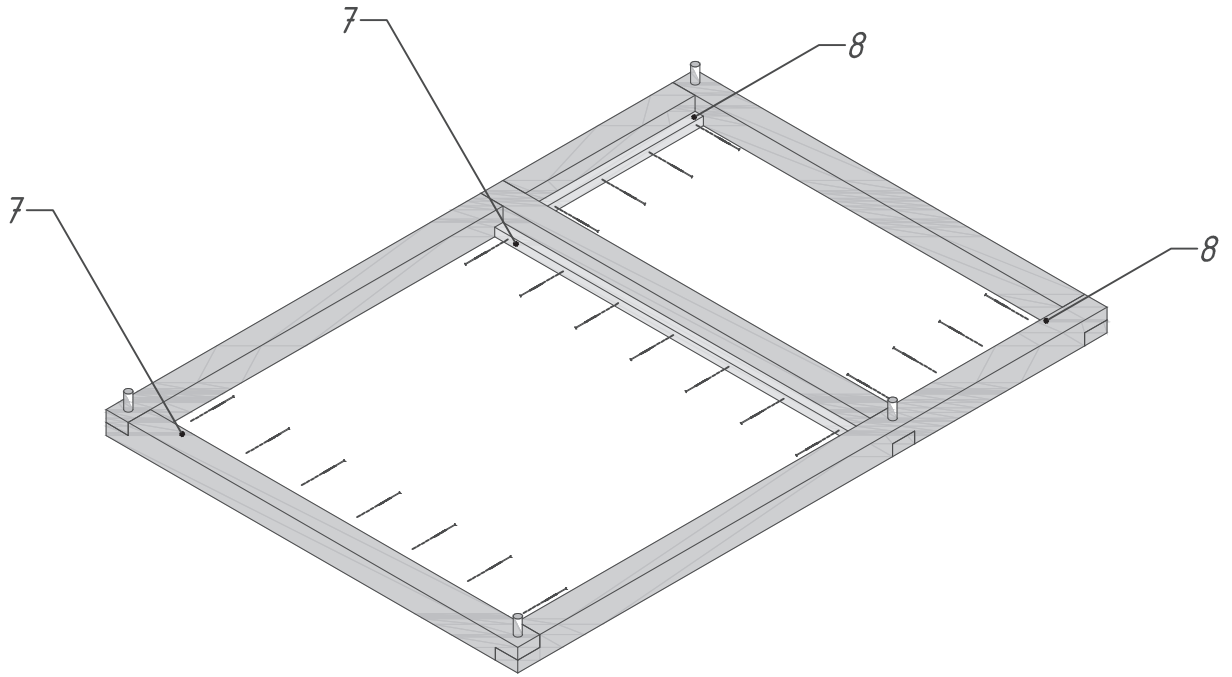
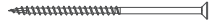
- 1 1x
- 2 1x
- 3 1x
- 4 1x
- 5 1x
- 6 4x



• QKR5x90Zn 24x

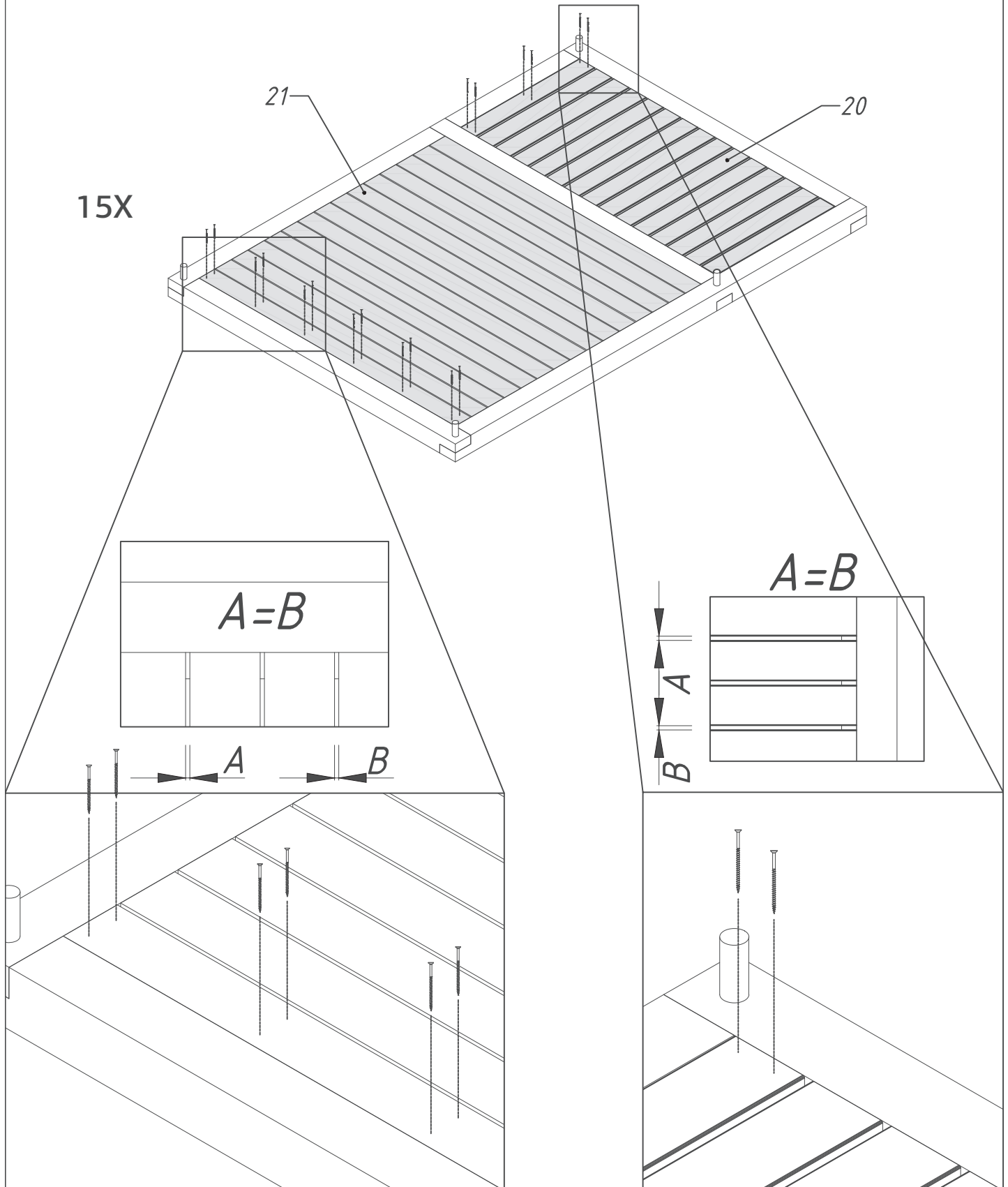


- QKR5x90Zn 40x
- 7 2x
- 8 2x
- 9 6x
- 10 3x

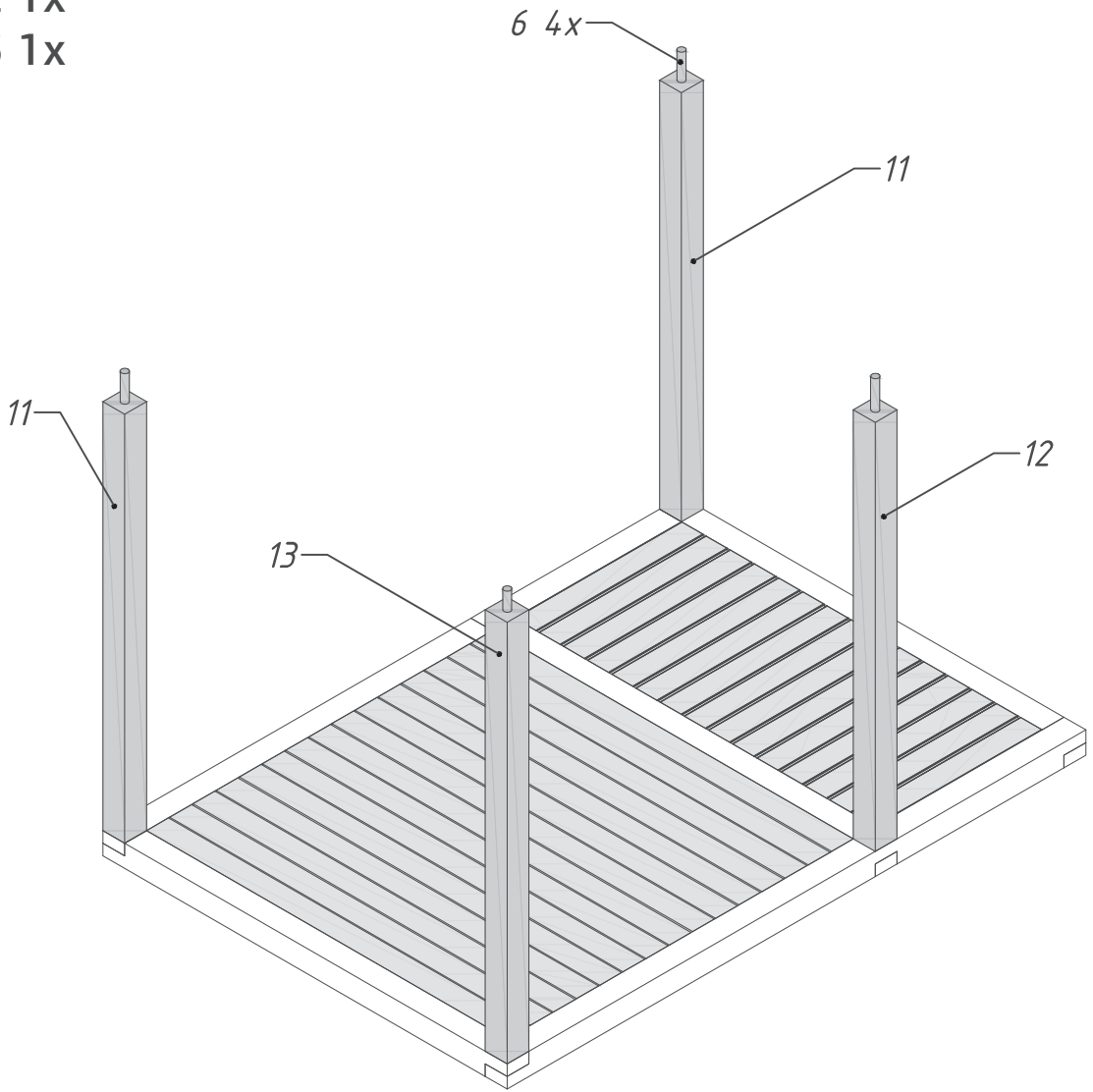




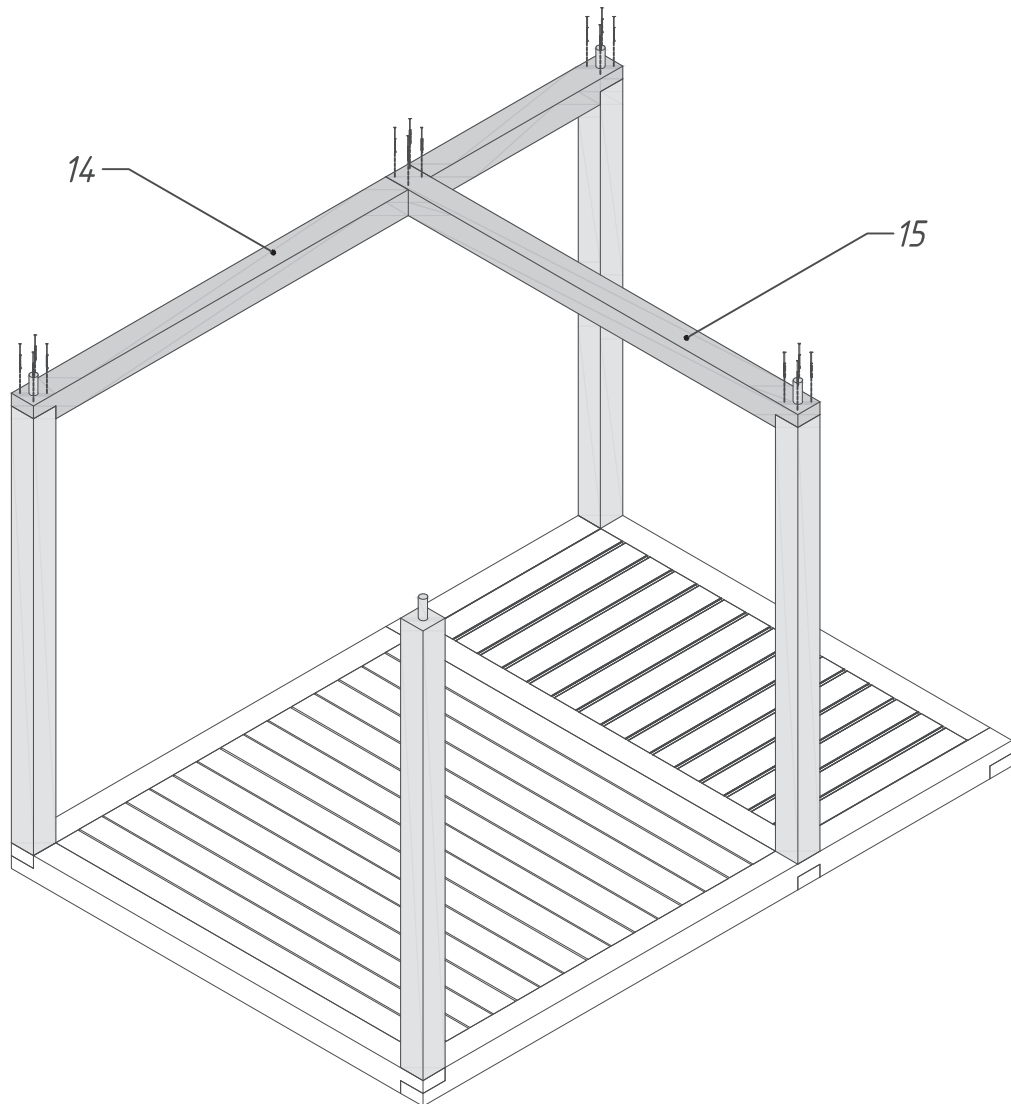
- QKR4\_5x70Zn 270x
- 20 15x
- 21 15x



- 6 4x
- 11 2x
- 12 1x
- 13 1x

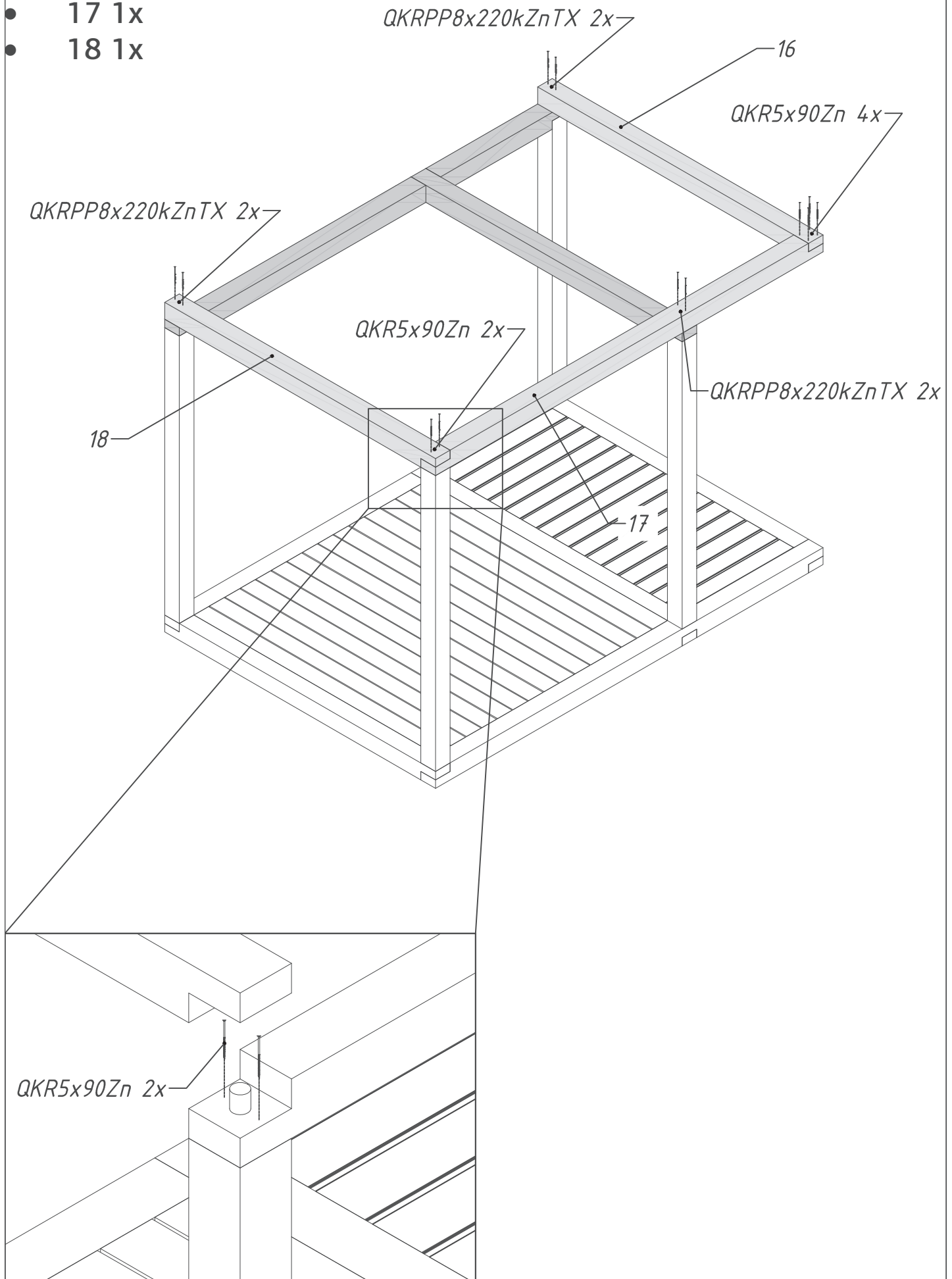


- QKR5x90Zn 16x
- 14 1x
- 15 1x



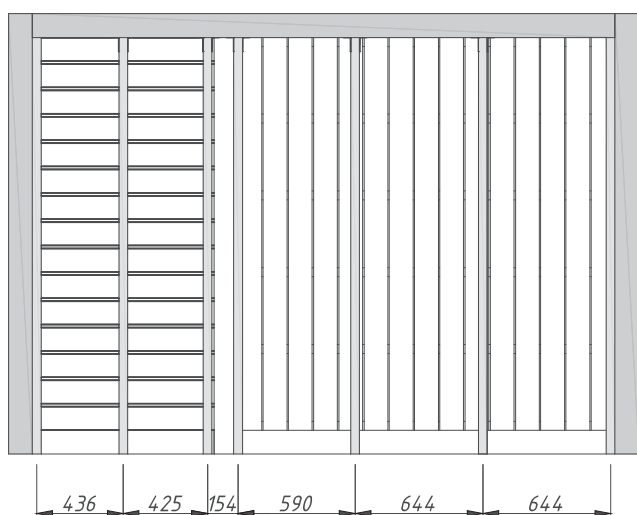
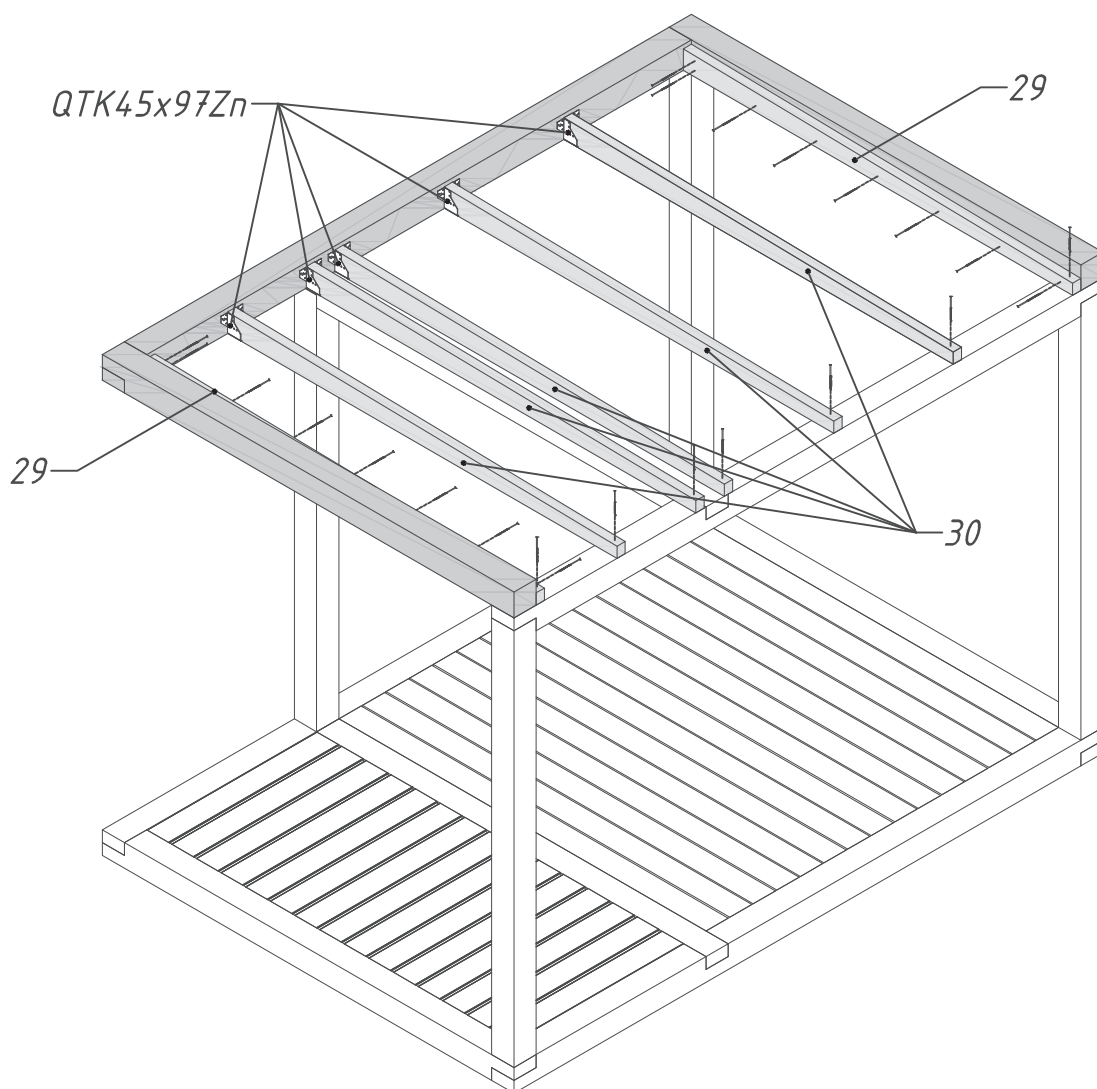
Pos.

- QKR5x90Zn 8x
- QKRPP8x220kZnTX 8x
- 16 1x
- 17 1x
- 18 1x



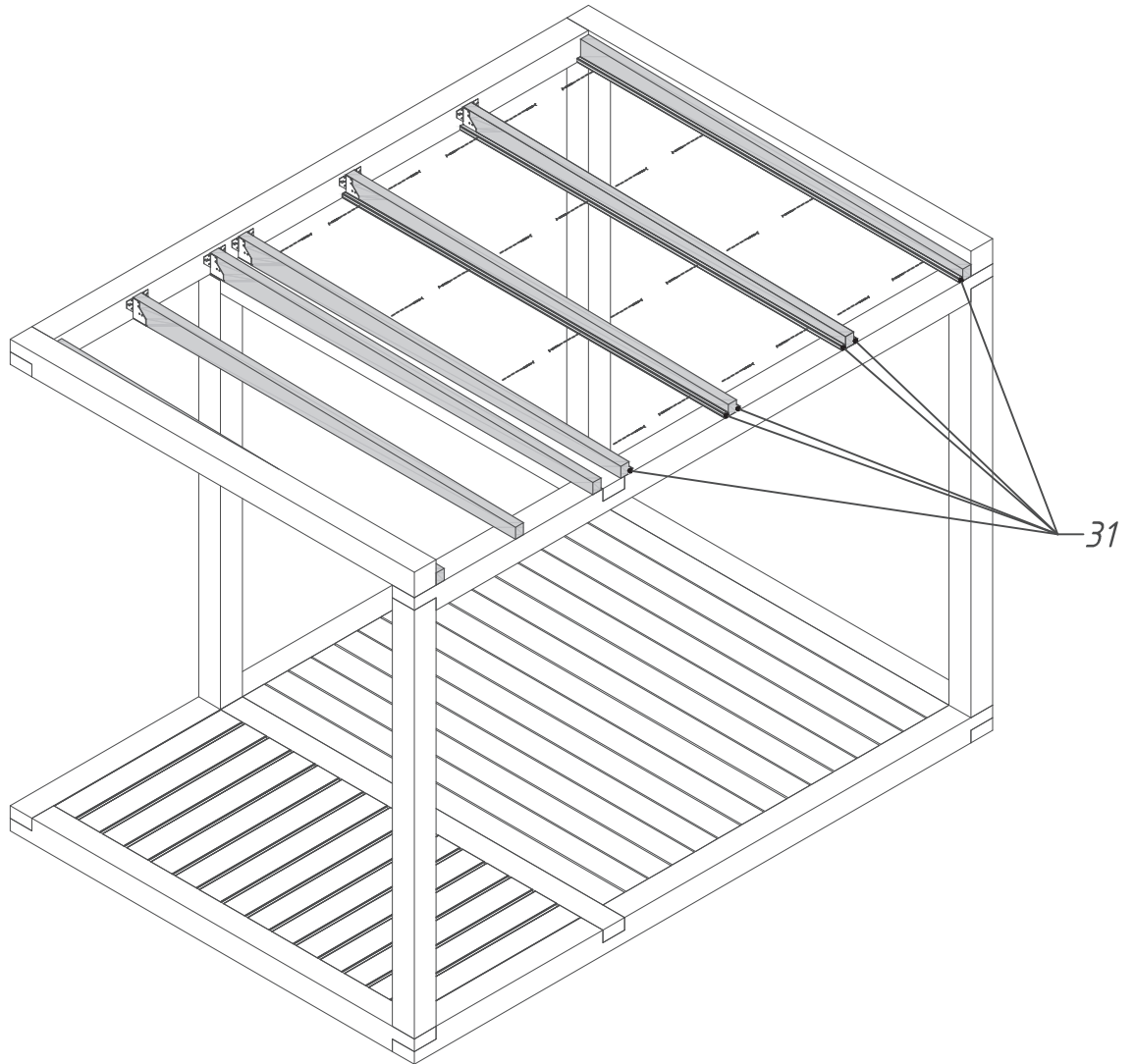
Pos.

- QTK45x97Zn 5x
- QKRYP5x40ZnTX 50x
- QKR5x90Zn 23x
- 29 2x
- 30 5x

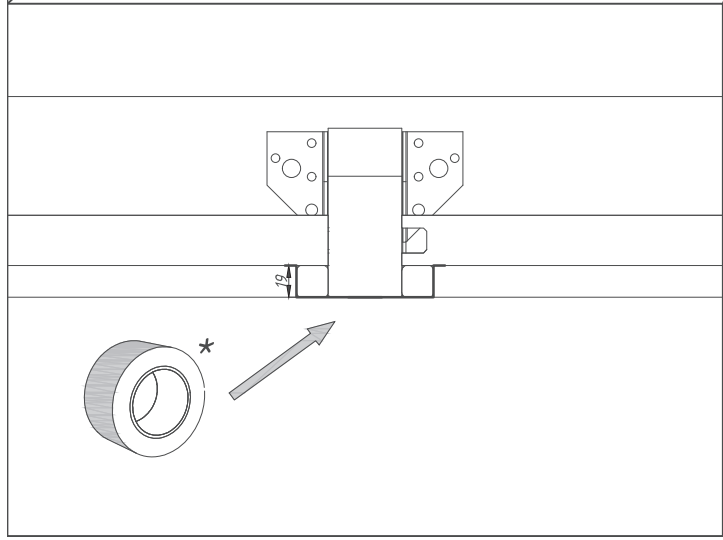
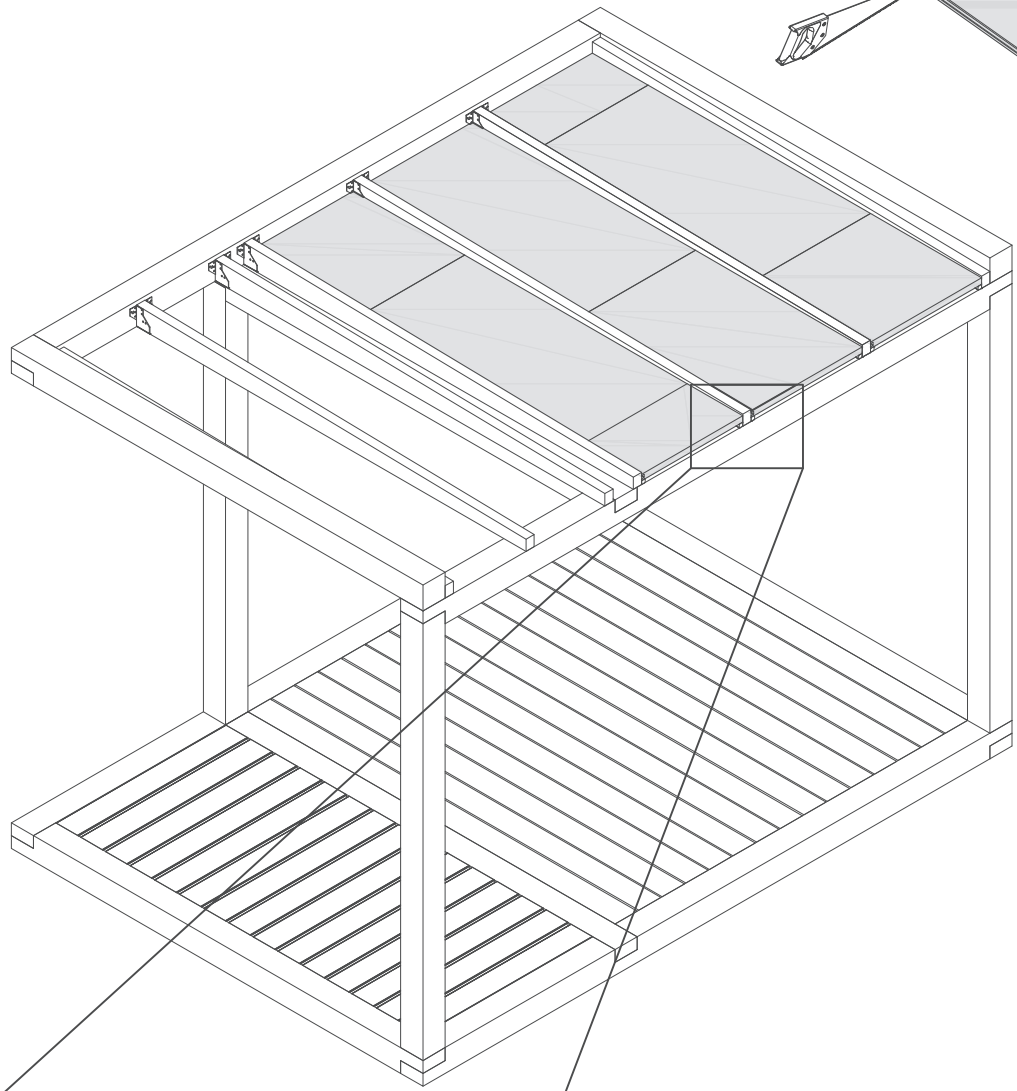
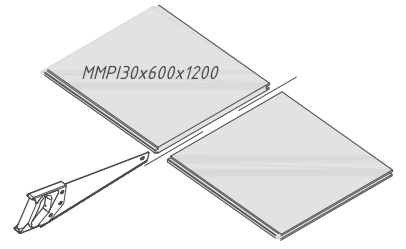


Pos.

- QKRPP3\_5x50Zn 24x
- 31 6x

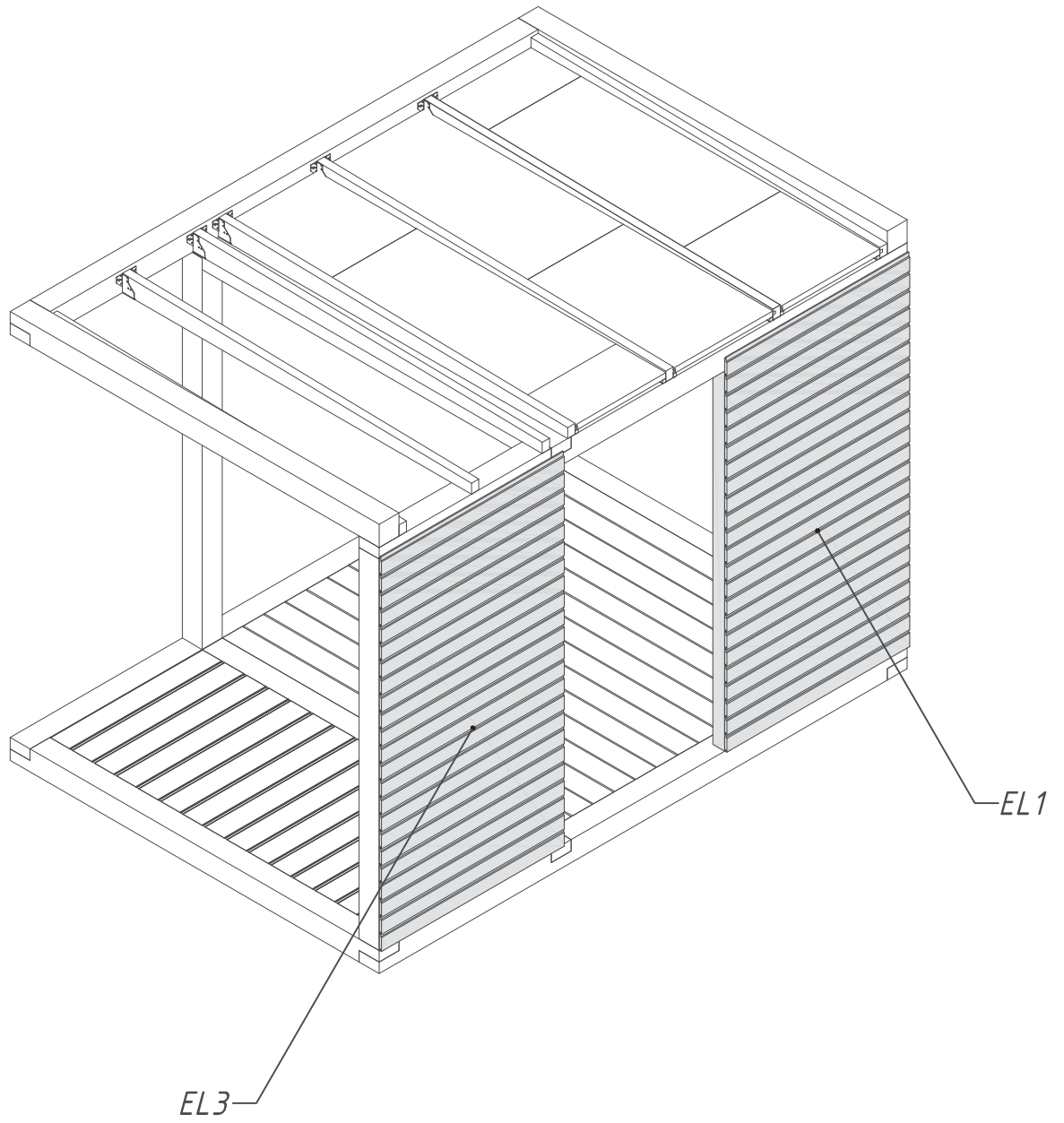


- MMPI30x600x1200 6x



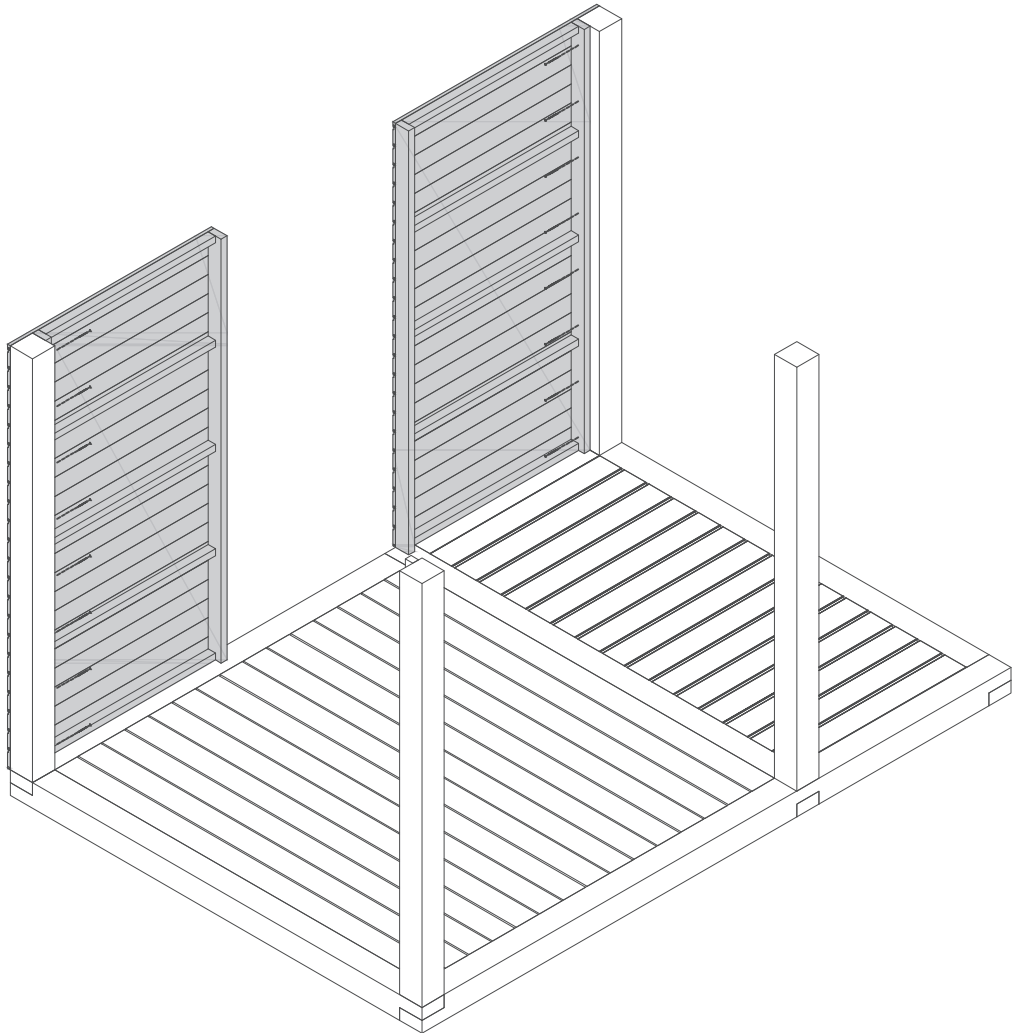
Pos.

- EL1 1x
- EL3 1x



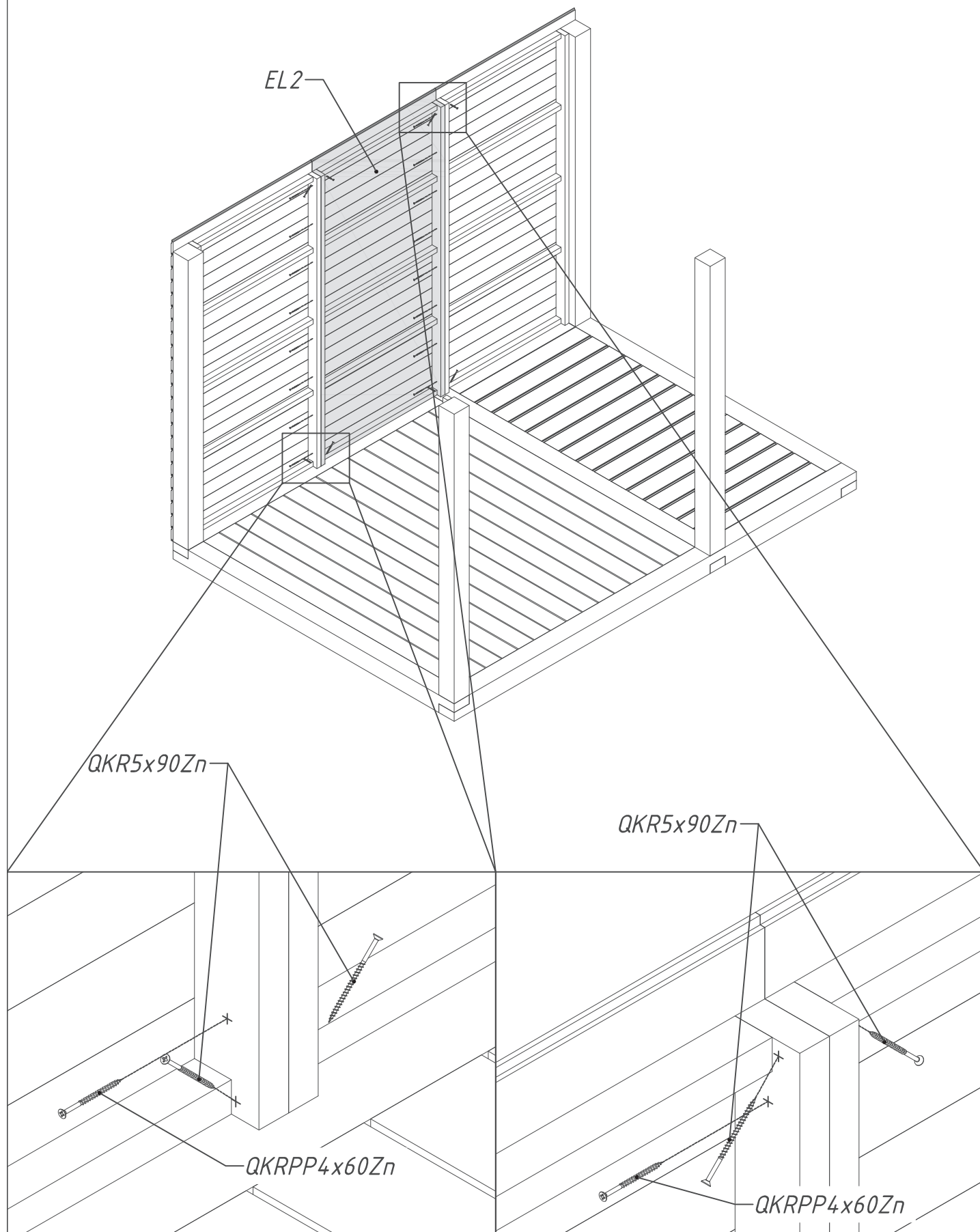


- QKRPP4x60Zn 16x

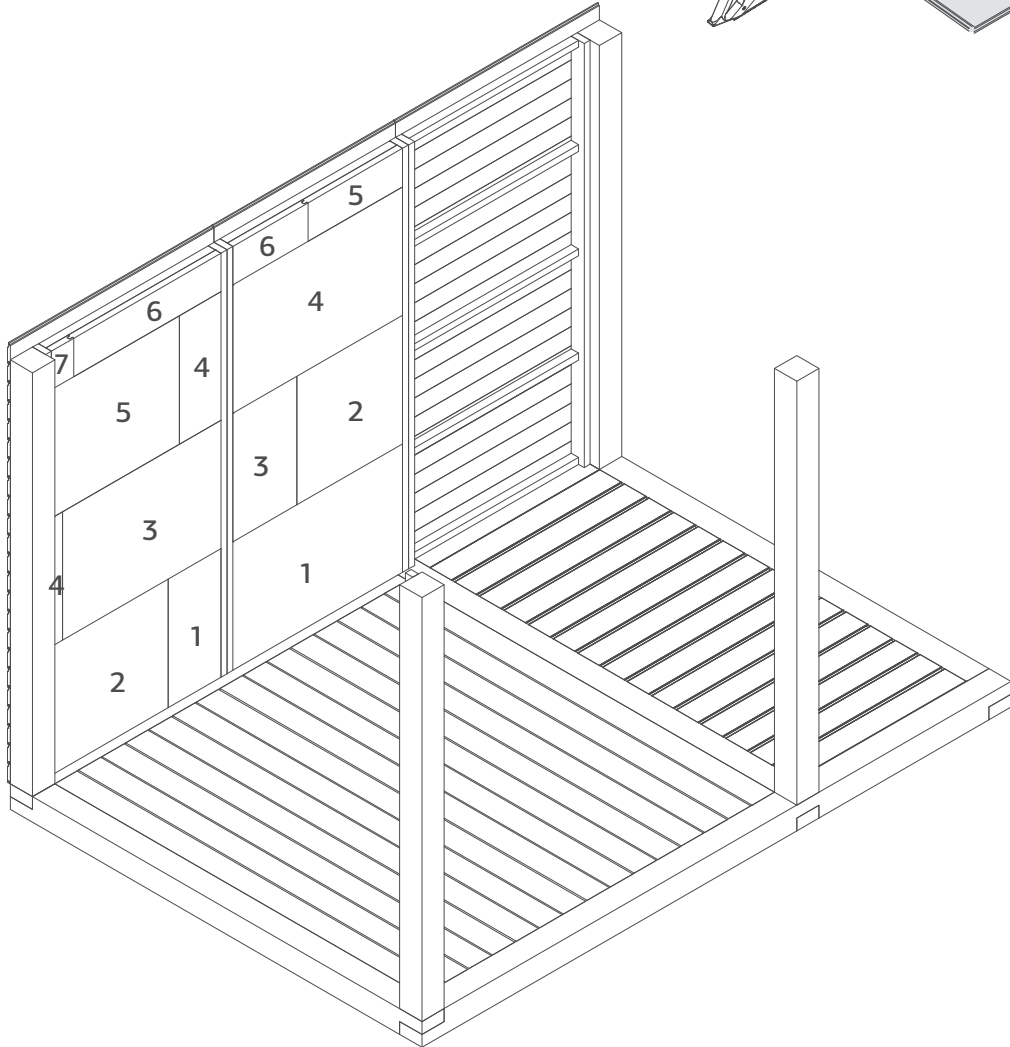
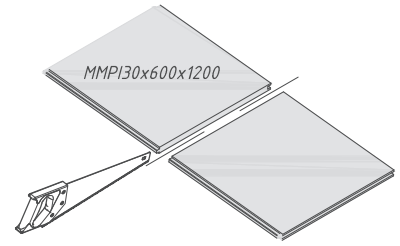


Pos.

- QKRPP4x60Zn 16x
- EL2 1x
- QKR5x90Zn 8x

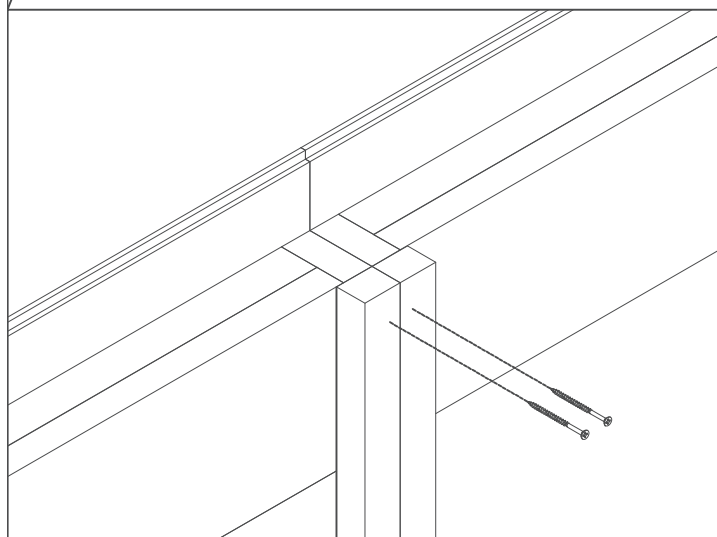
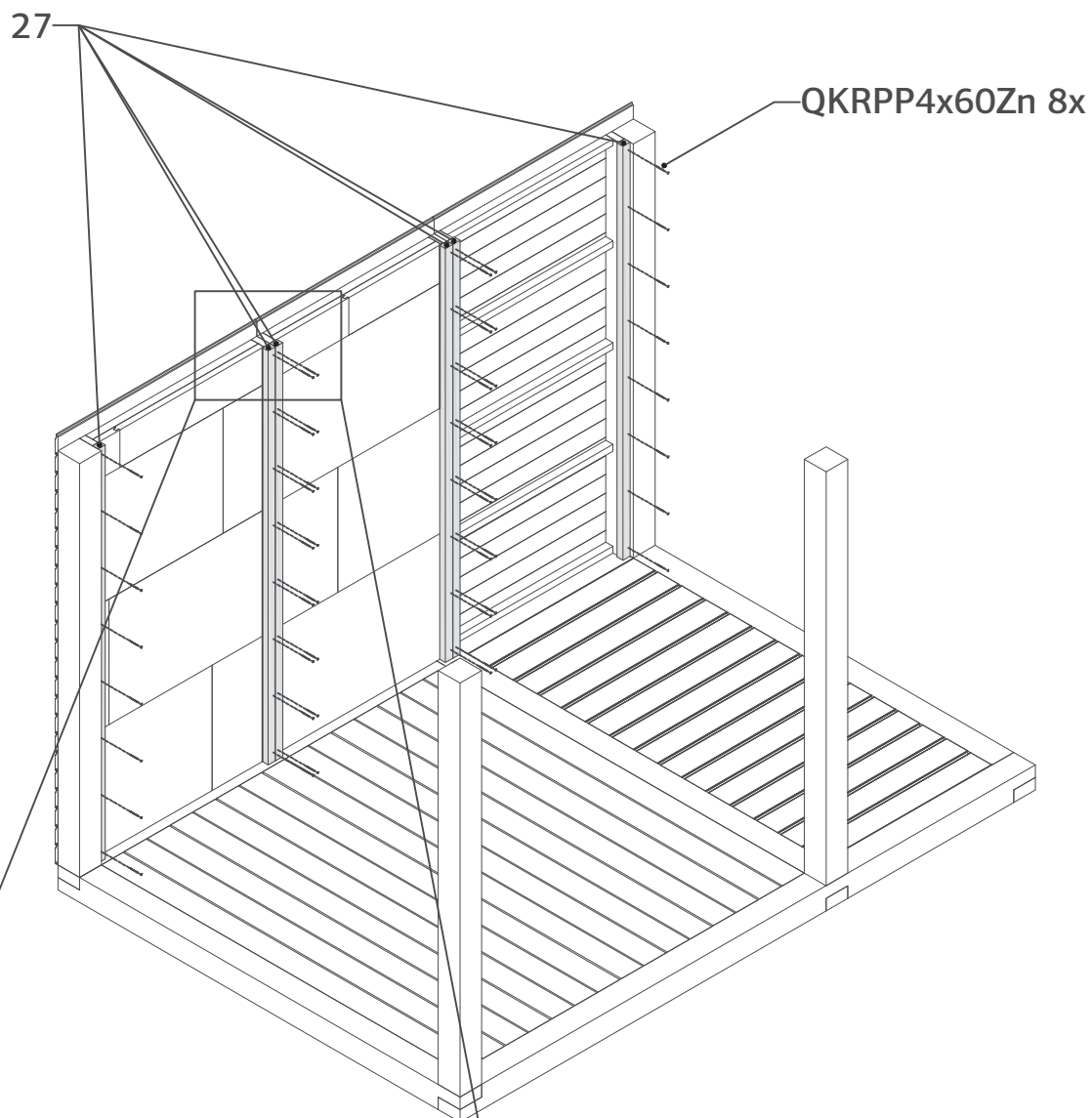


- MMPI30x600x1200 7x



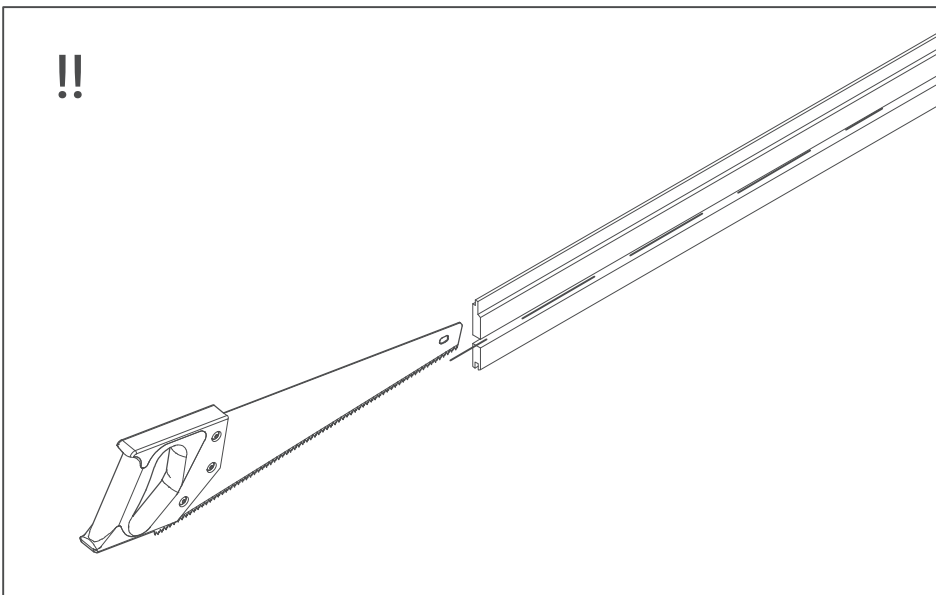
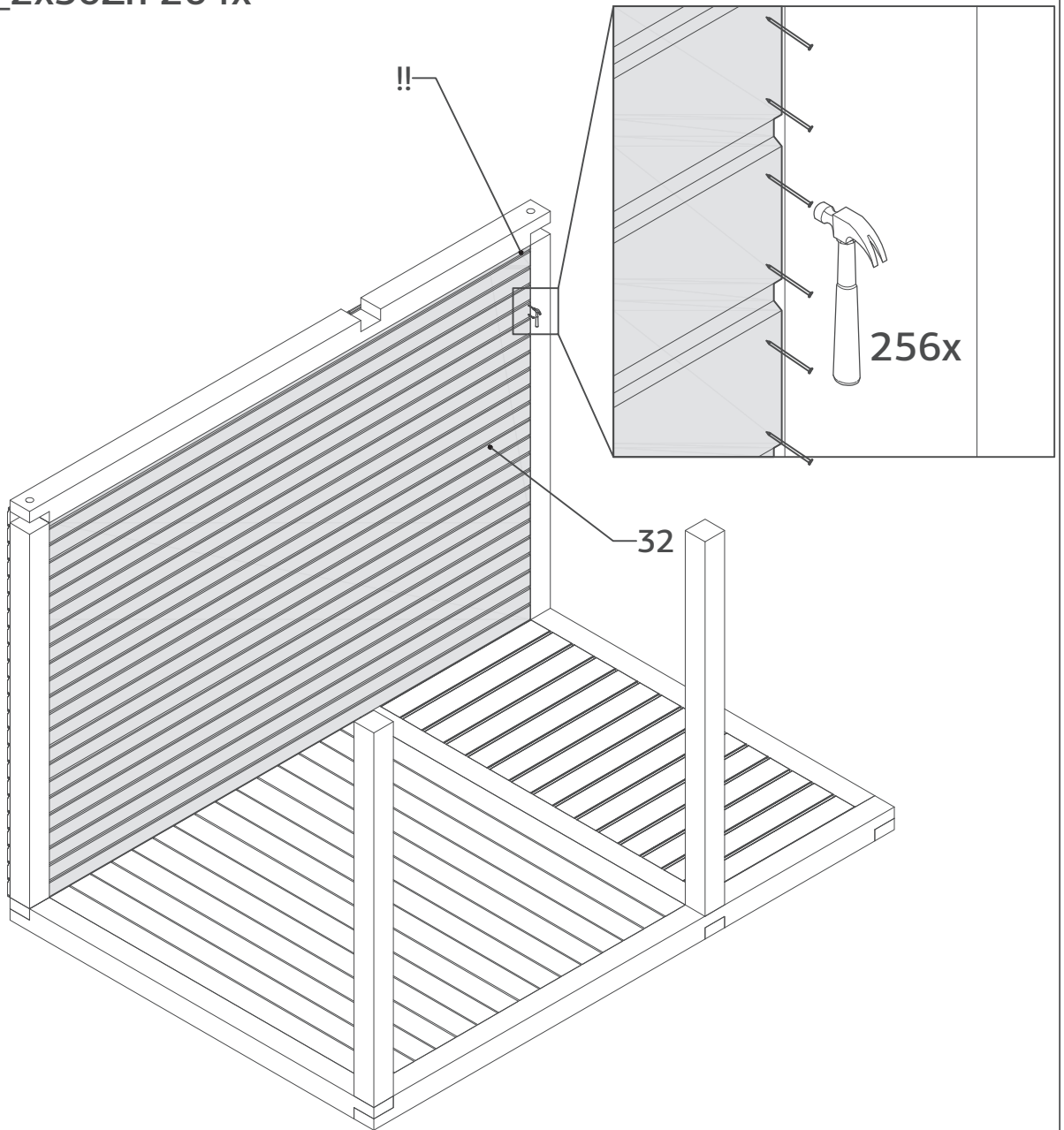
Pos.

- 27 6x
- QKRPP4x60Zn 48x



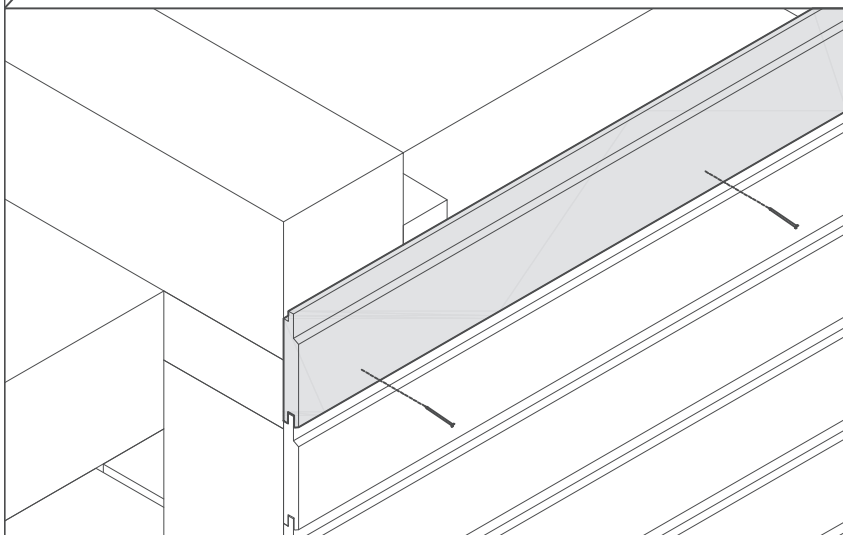
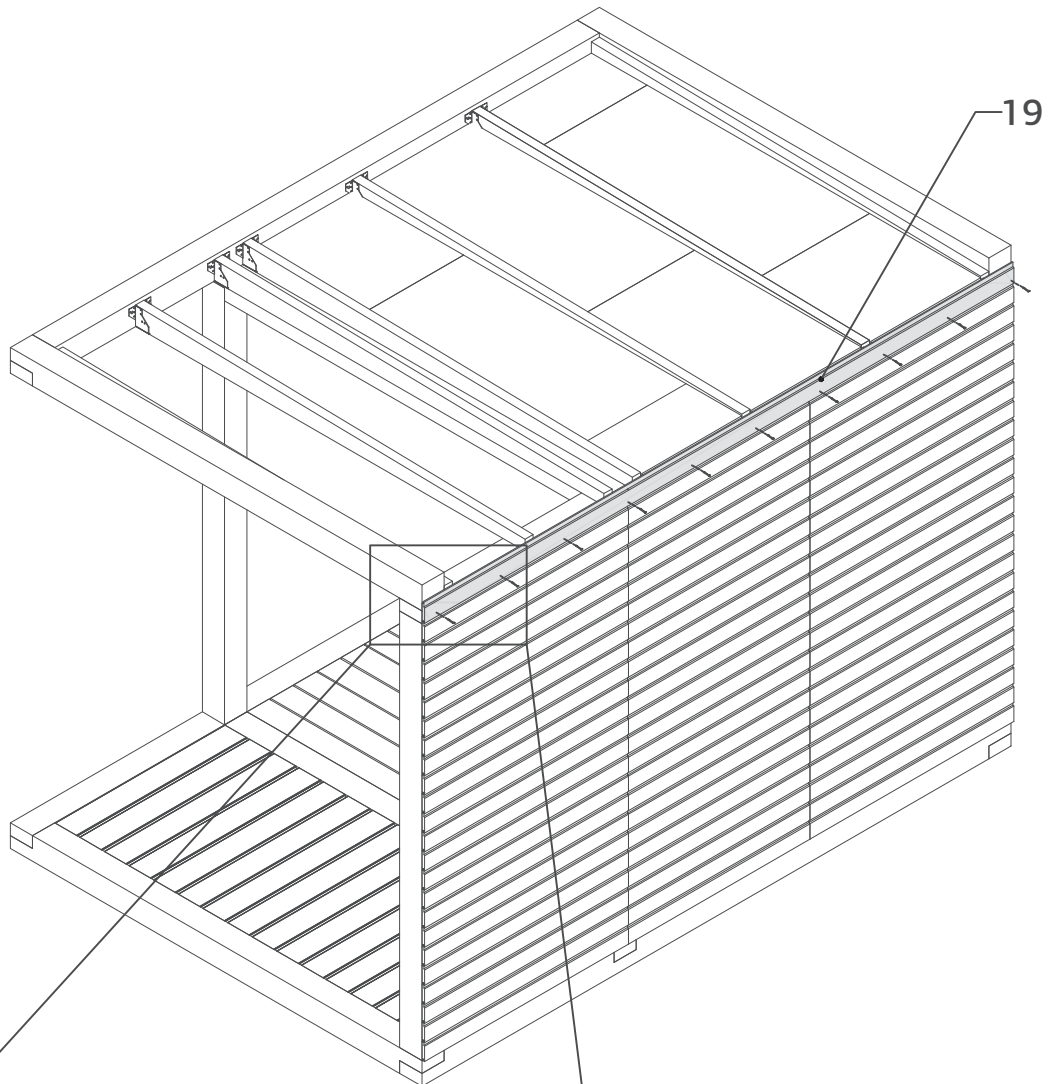
Pos.

- 32 22x
- QNA2\_2x50Zn 264x



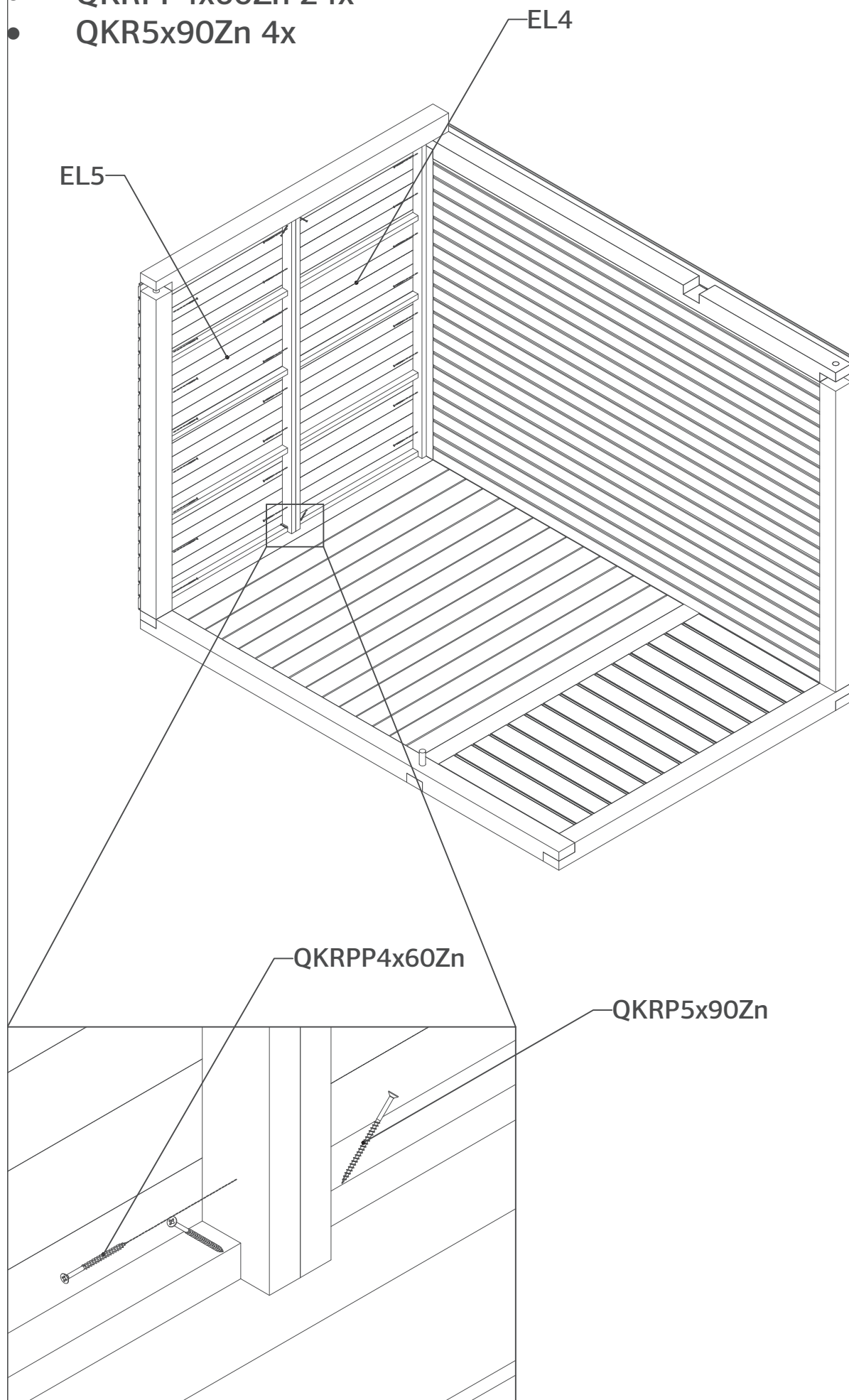
Pos.

- 19 1x
- QNA2\_2x50Zn 10x

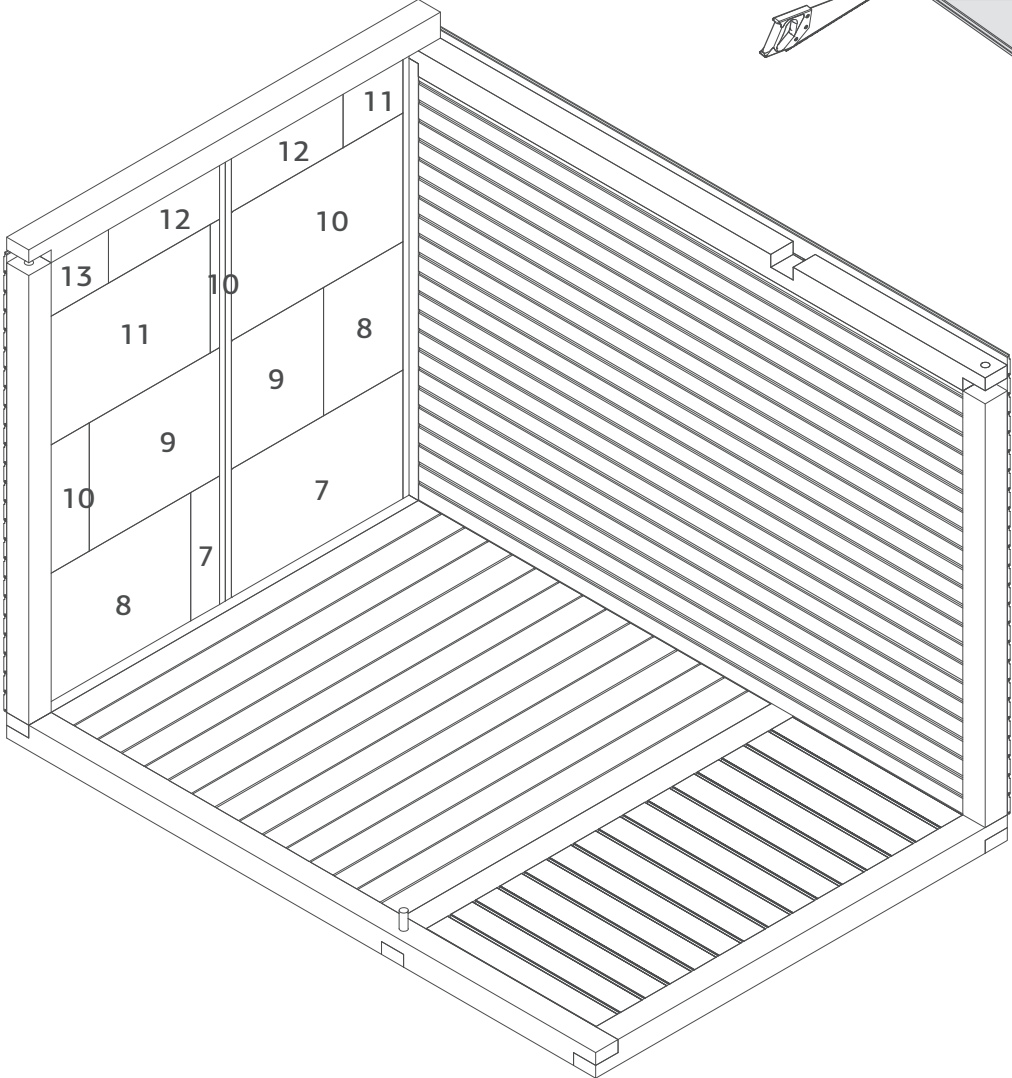
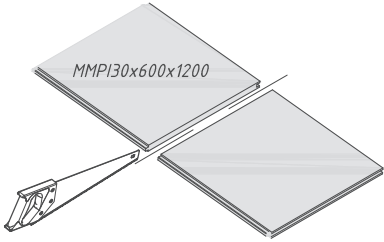


Pos.

- EL4 1x
- EL5 1x
- QKRPP4x60Zn 24x
- QKR5x90Zn 4x



• MMPI30x600x1200 7x



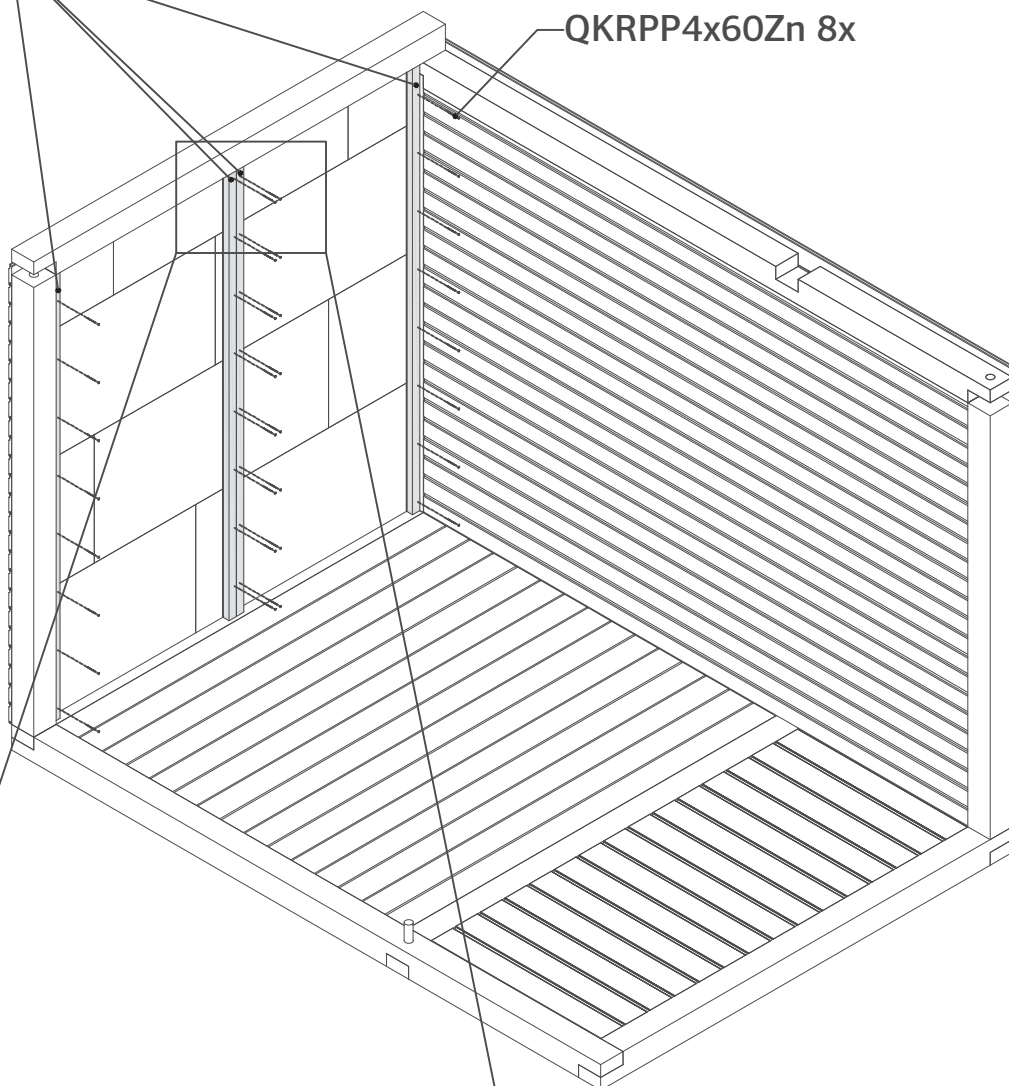


Pos.

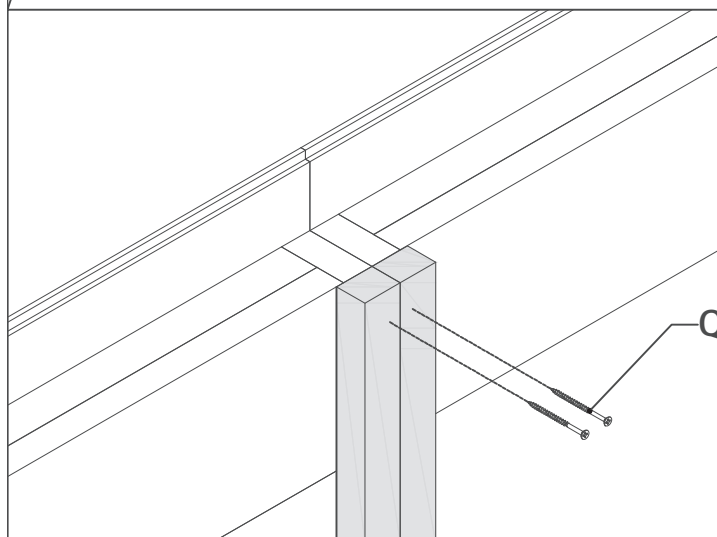
- 28 4x
- QKRPP4x60Zn 32x

28

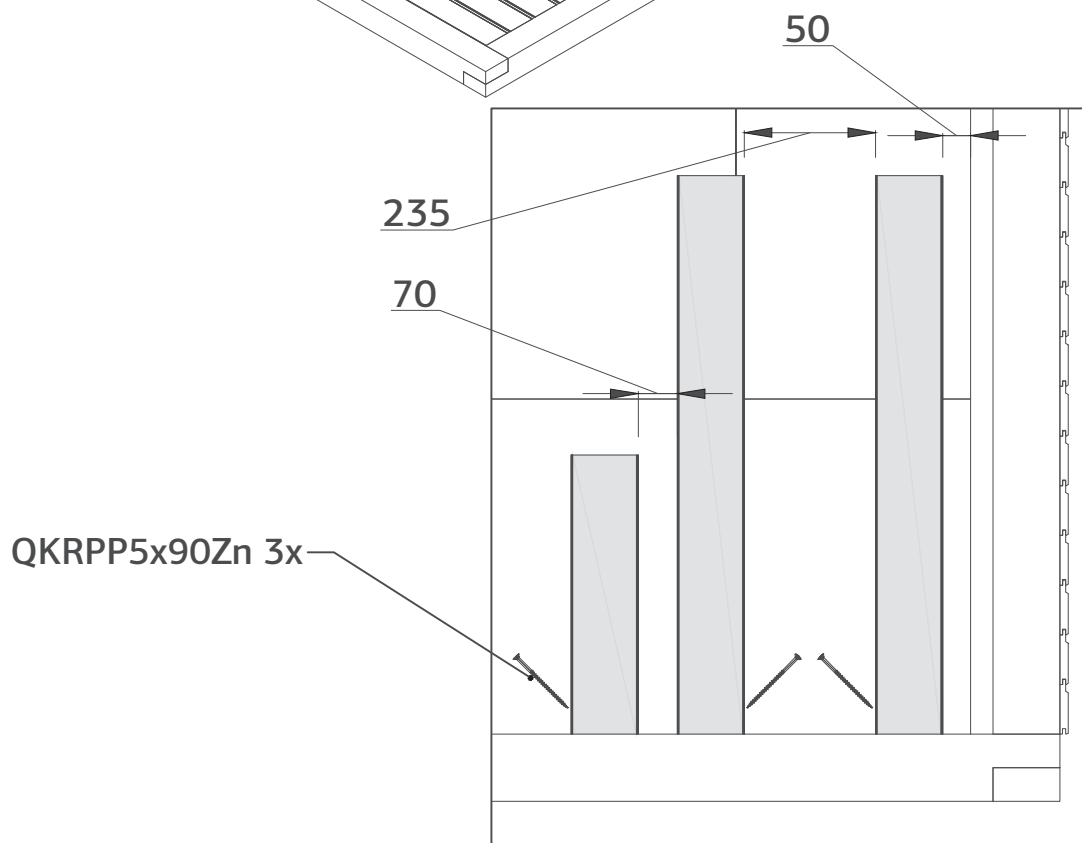
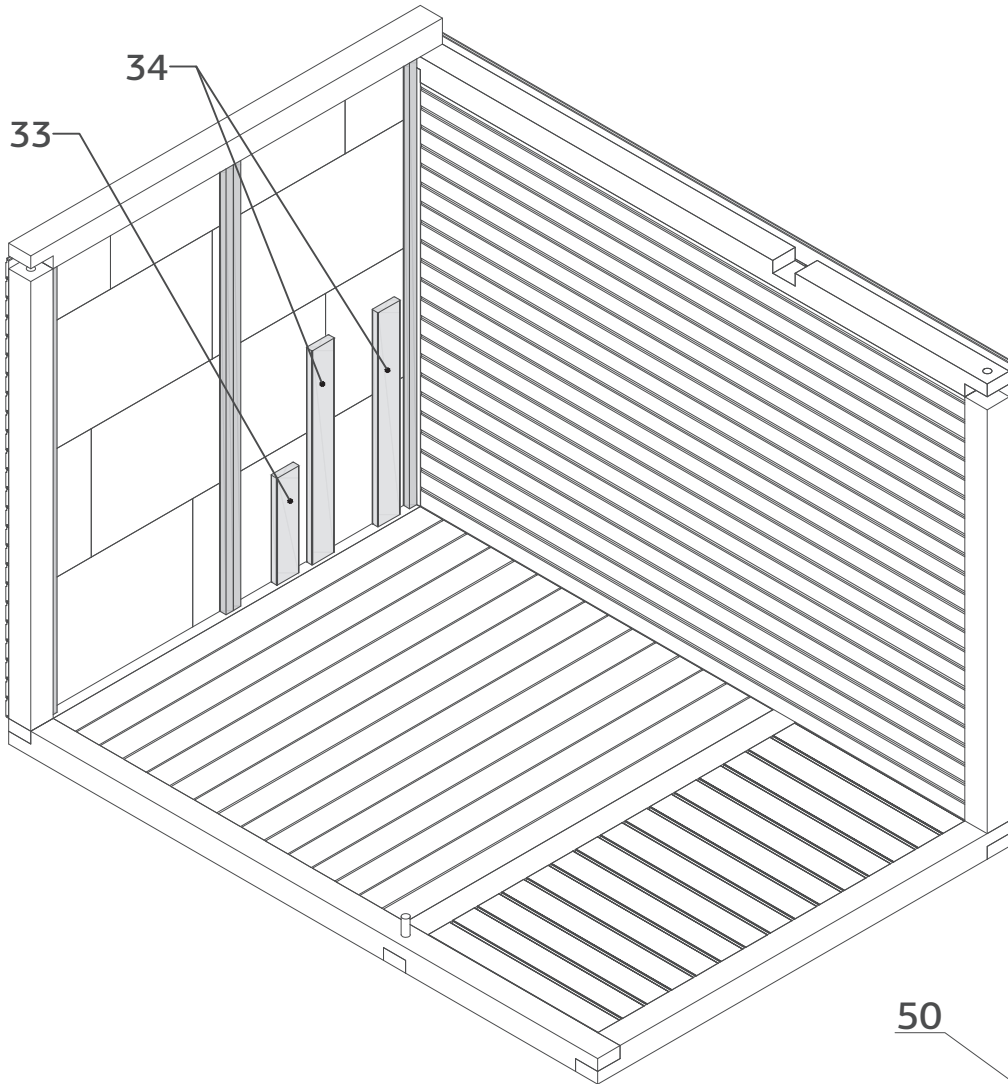
QKRPP4x60Zn 8x



QKRPP4x60Zn 8x

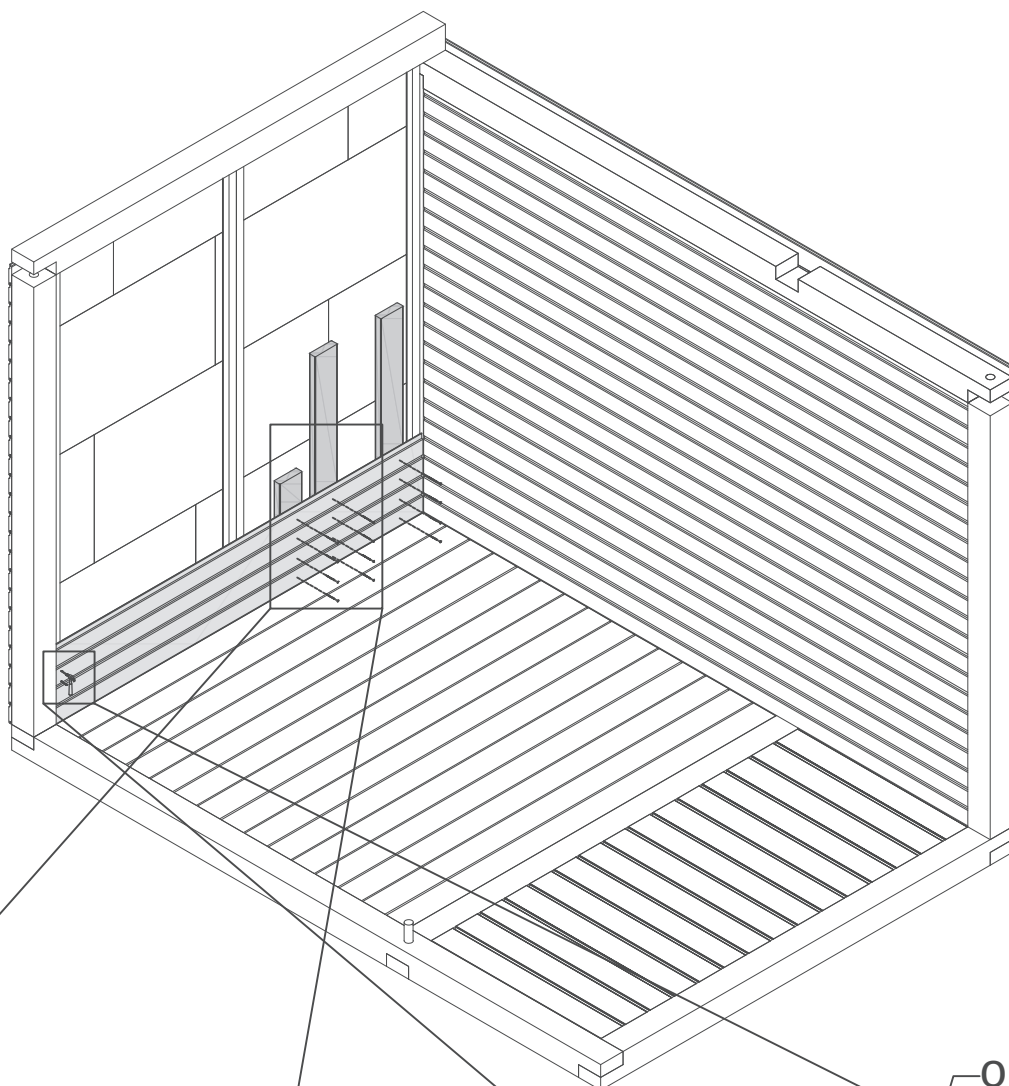


- 33 1x
- 34 2x
- QKRPP5x90Zn 3x

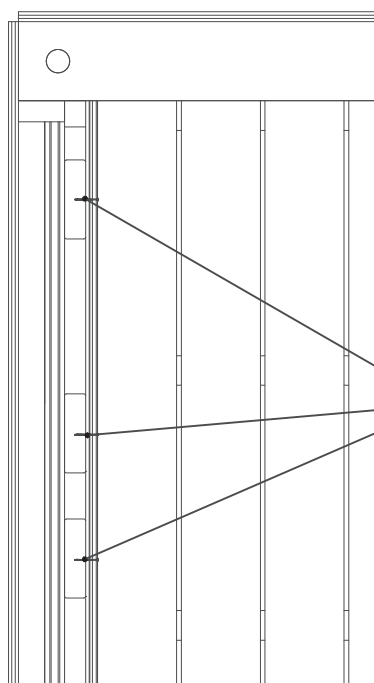


Pos.

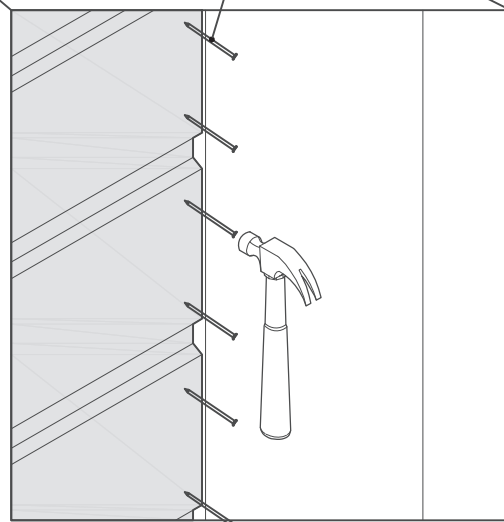
- 36 4x
- QNA2\_2x50Zn 32x
- QKRPP4x40kZn 12x



QNA2\_2x50Zn

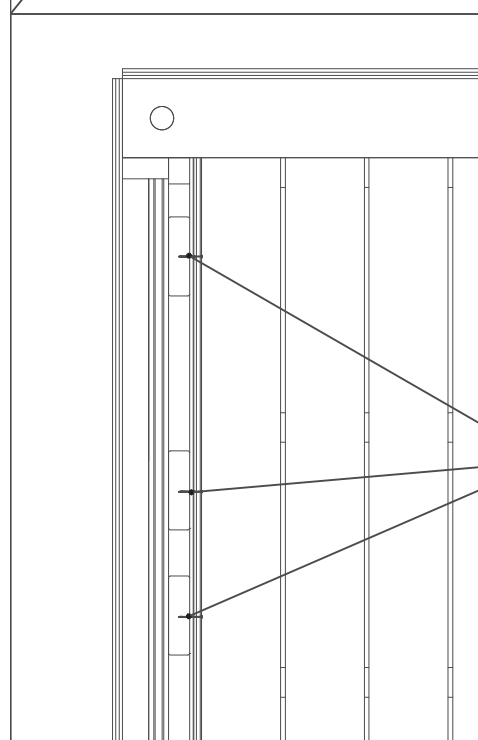
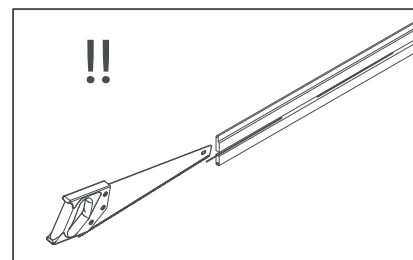
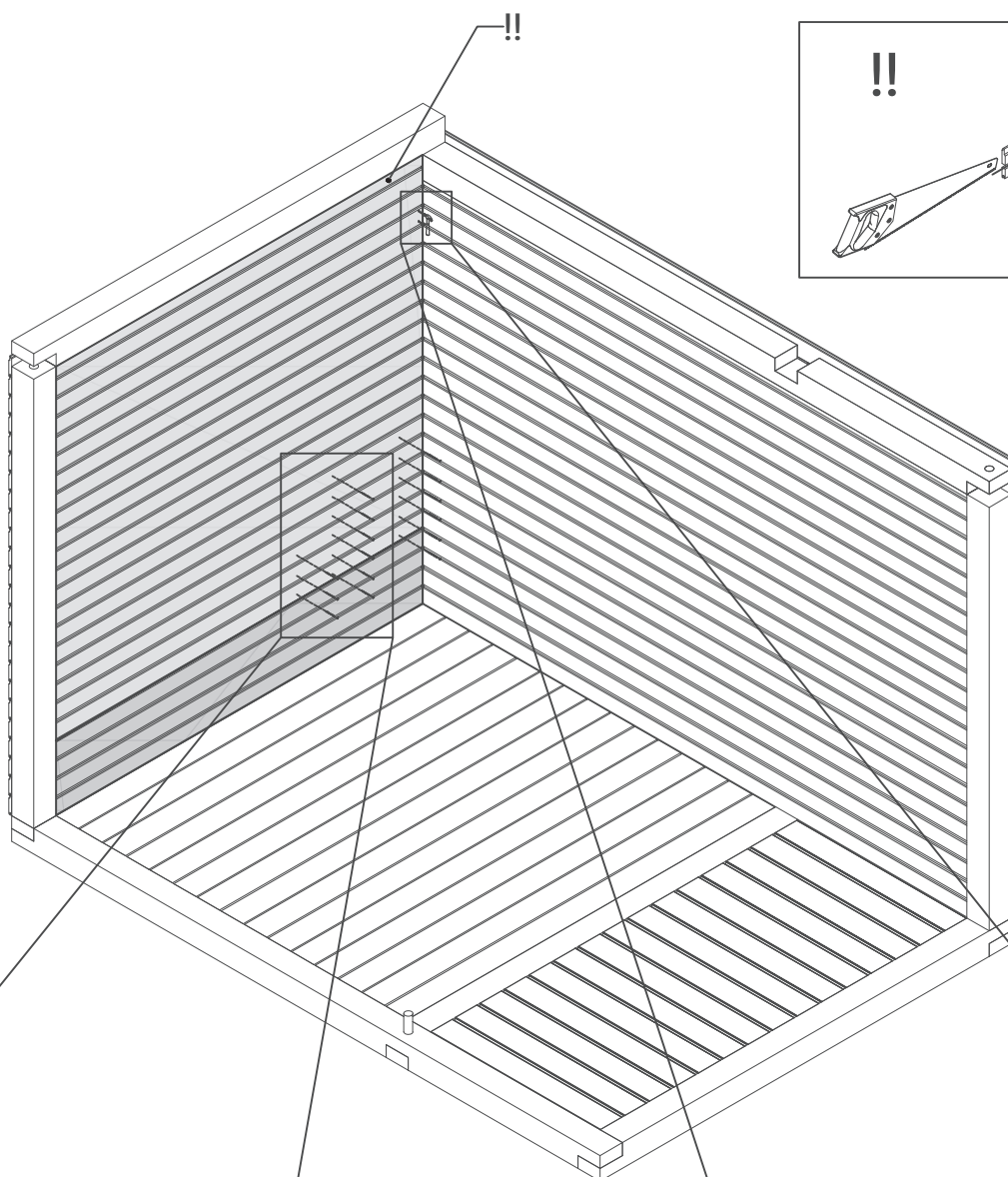


QKRPP4x40kZn

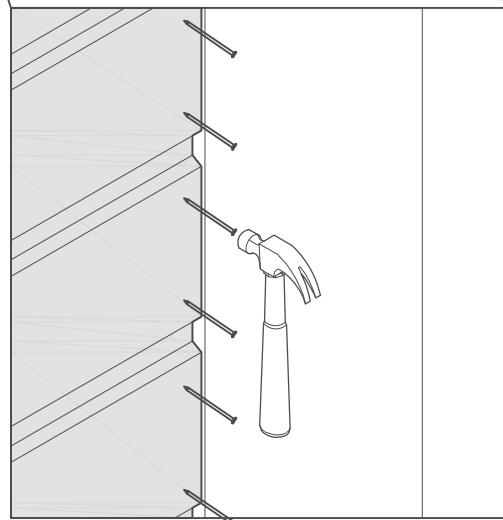


Pos.

- 36 20x
- QNA2\_2x50Zn 160x
- QKRPP4x40kZn 15x



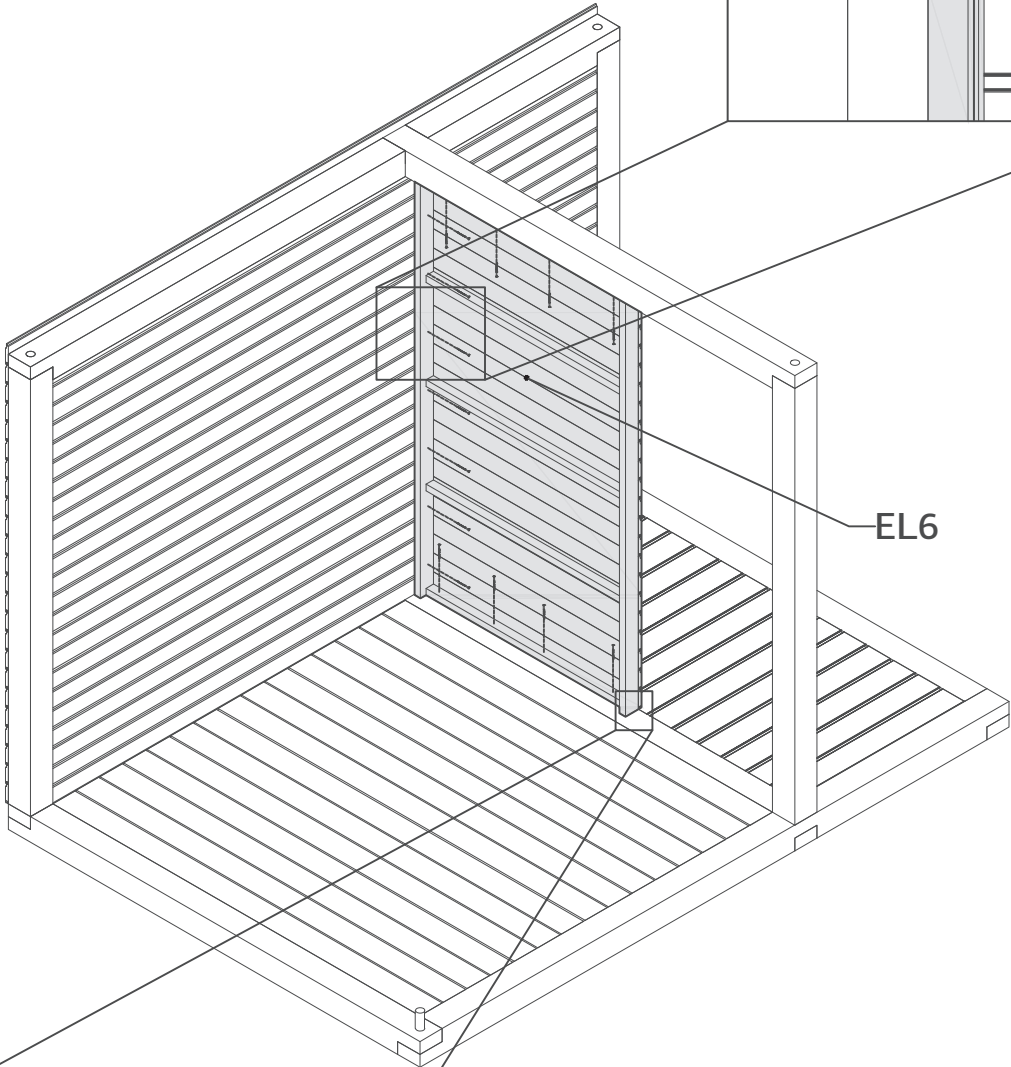
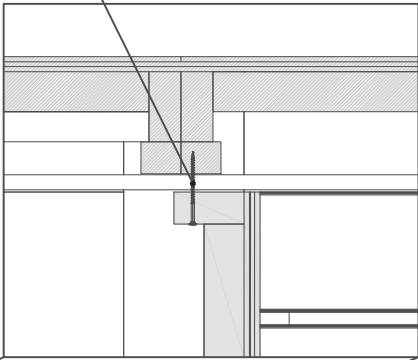
QKRPP4x40kZn



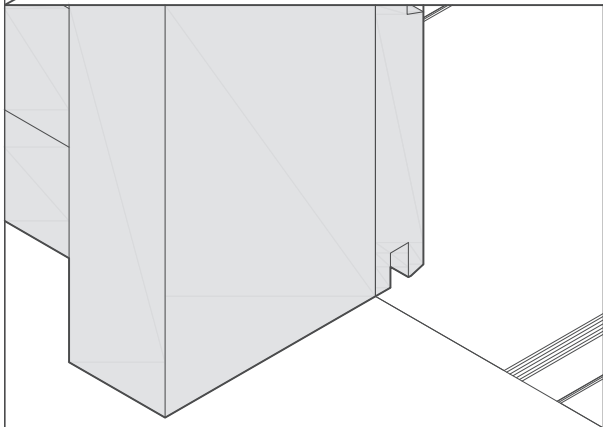
Pos.

- EL6 1x
- QKRPP5x90Zn 15x

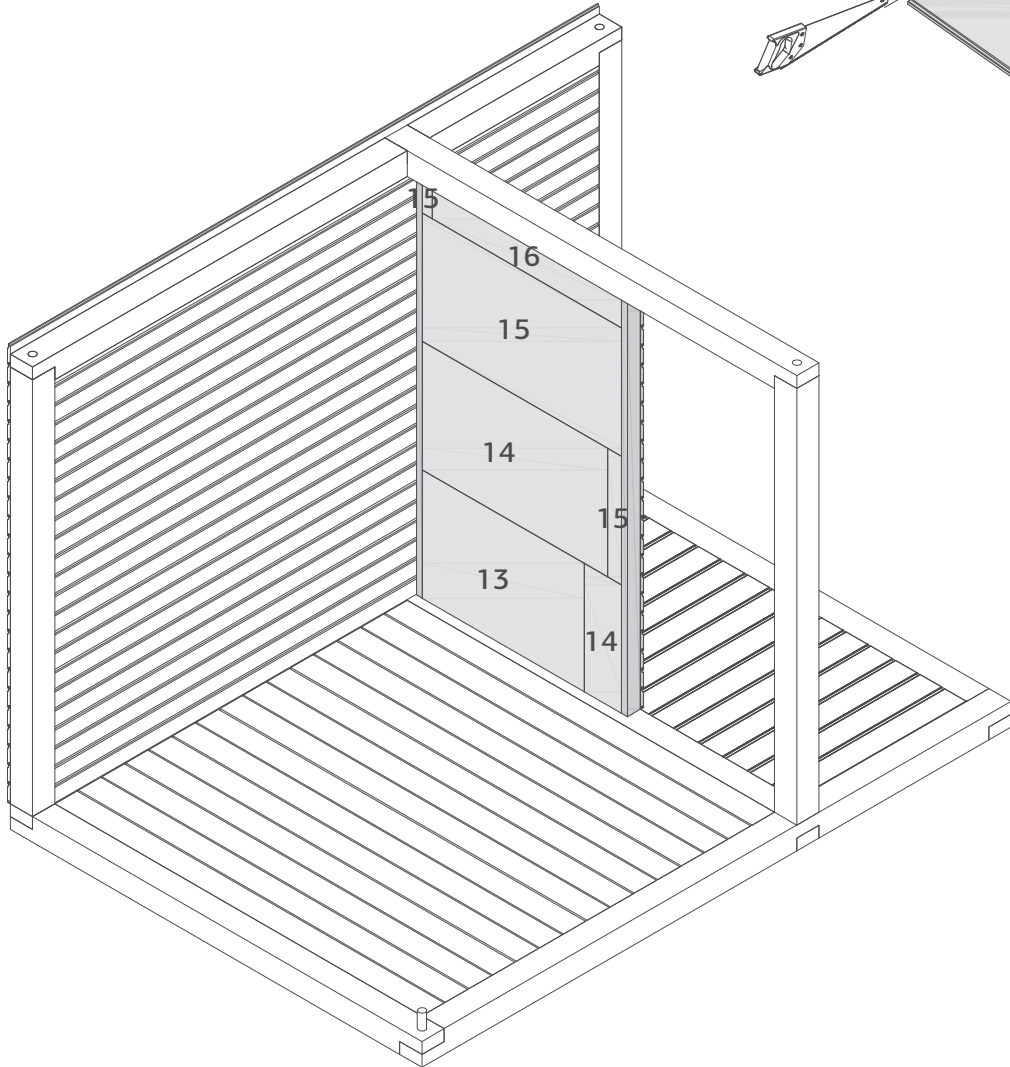
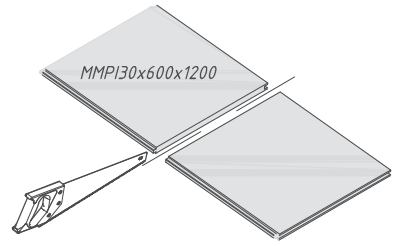
QKRPP5x90Zn



EL6



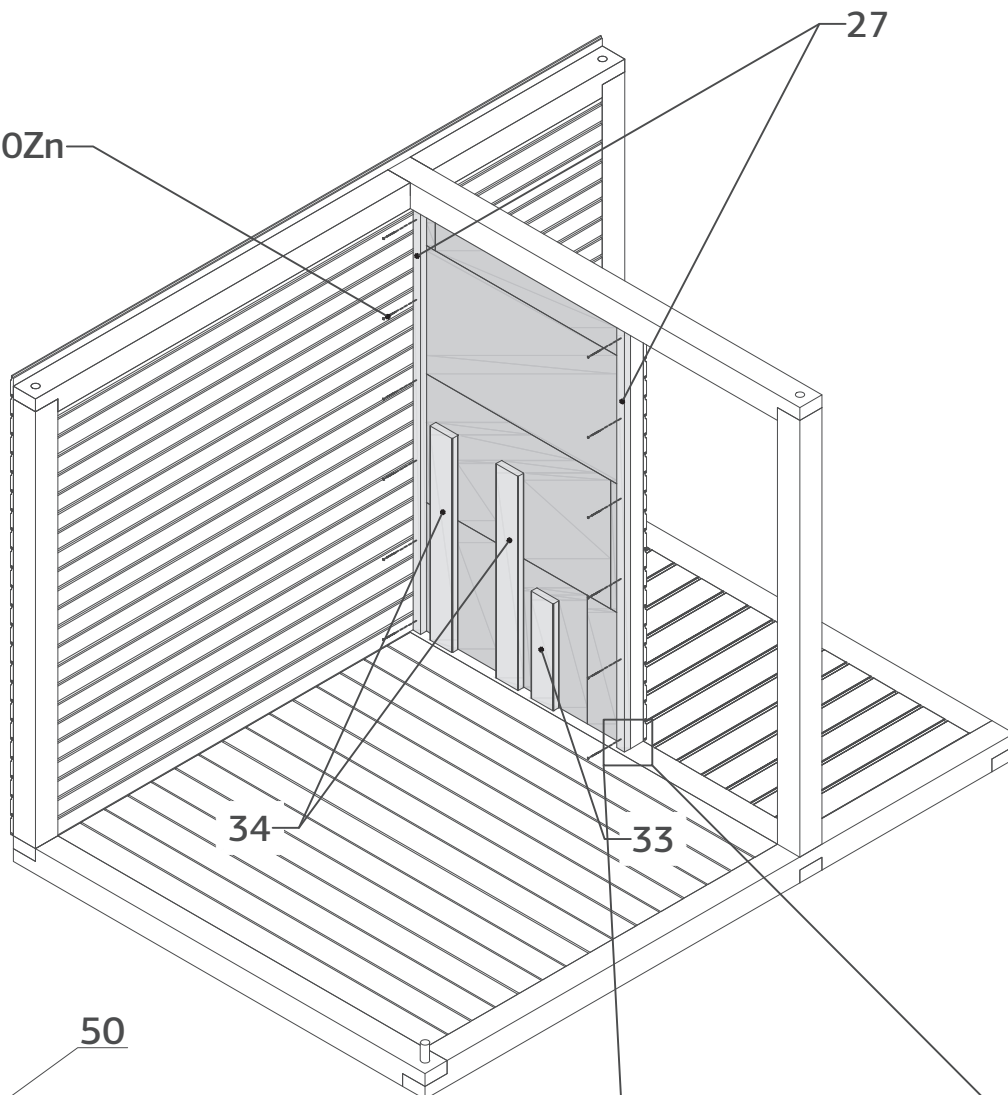
- MMPI30x600x1200 4x



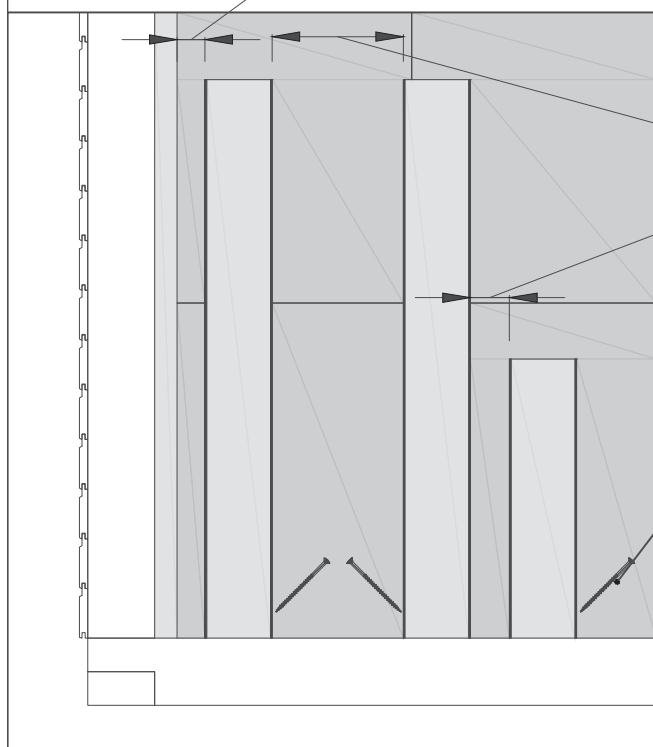
Pos.

- 27 2x
- 34 2x
- 33 1x
- QKRPP4x60Zn 12x
- QKRPP5x90Zn 3x

QKRPP4x60Zn



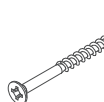
50



235

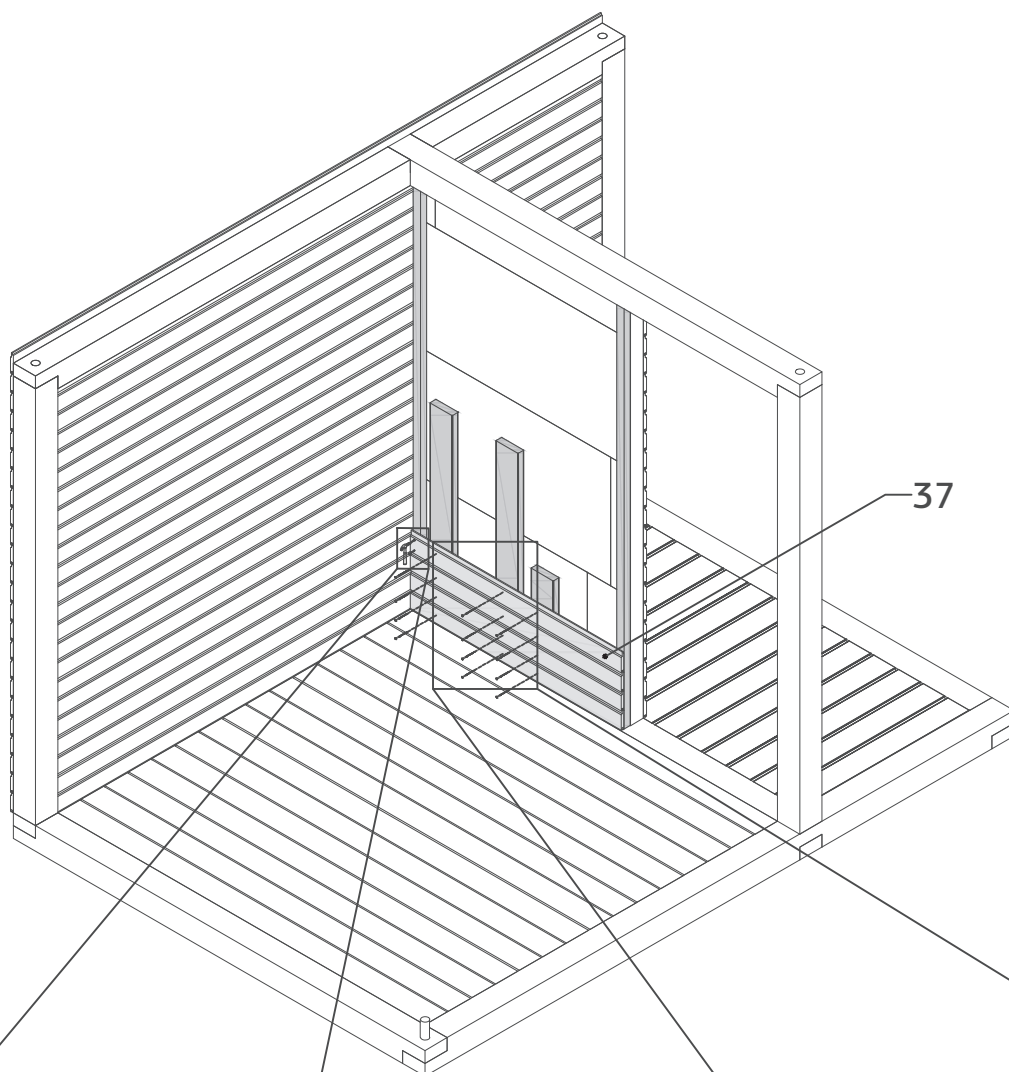
70

QKRPP5x90Zn 3x



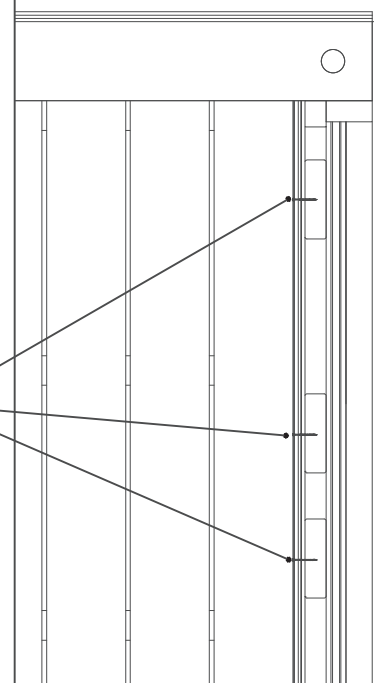
Pos.

- 37 4x
- QNA2\_2x50Zn 16x
- QKRPP4x40kZn 12x

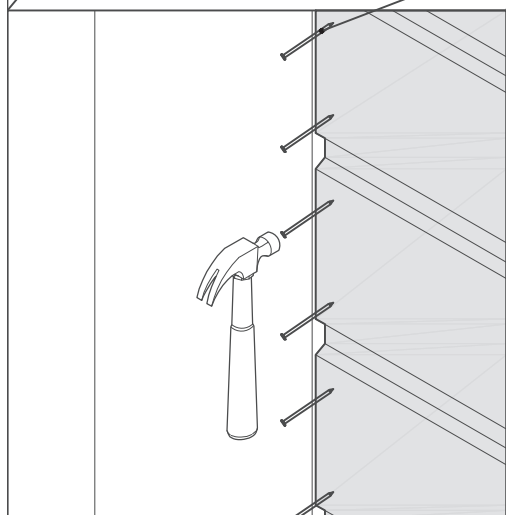


37

QNA2\_2x50Zn



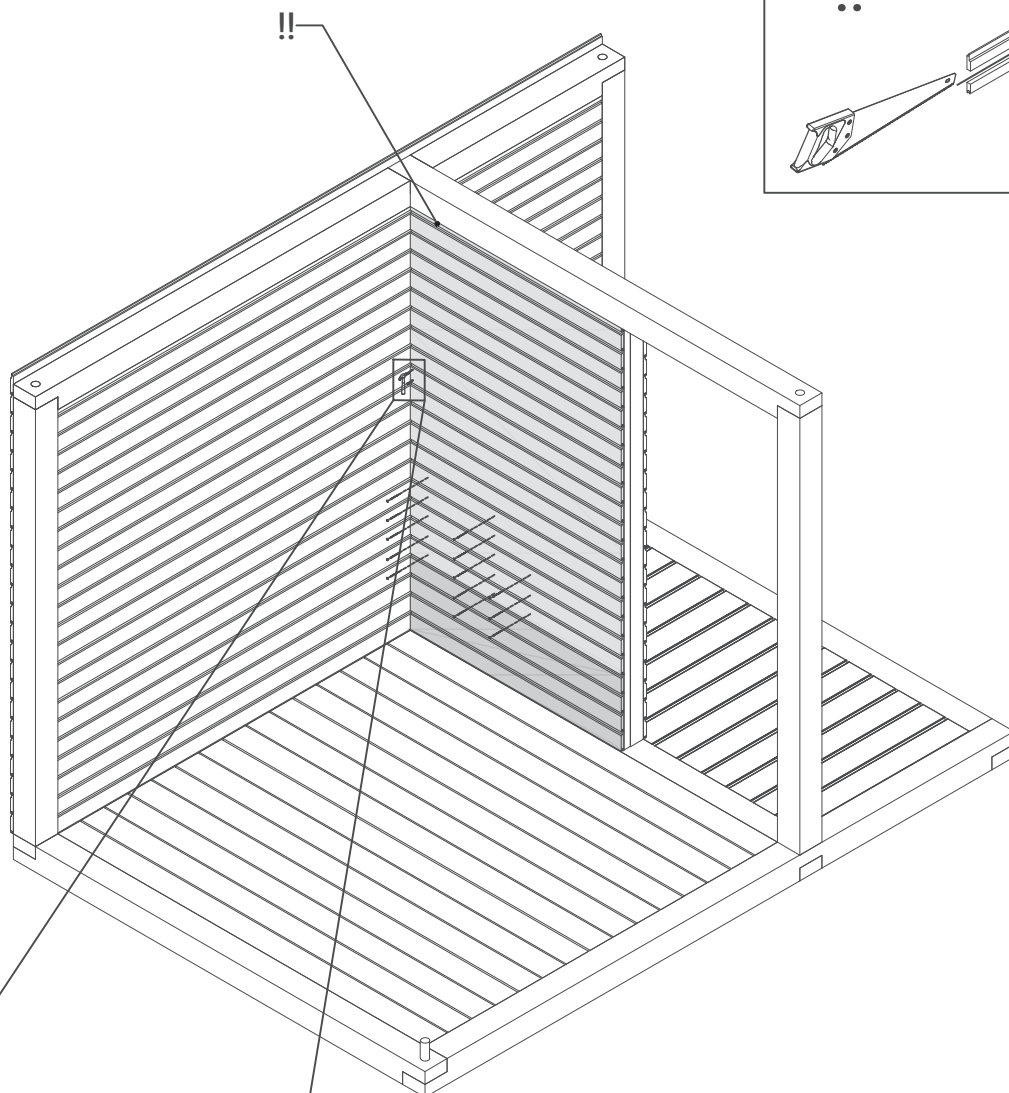
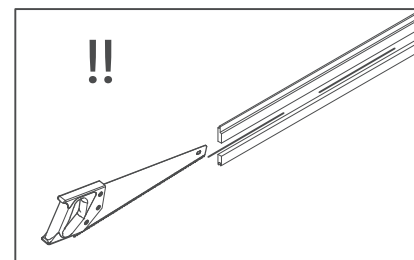
QKRPP4x40kZn



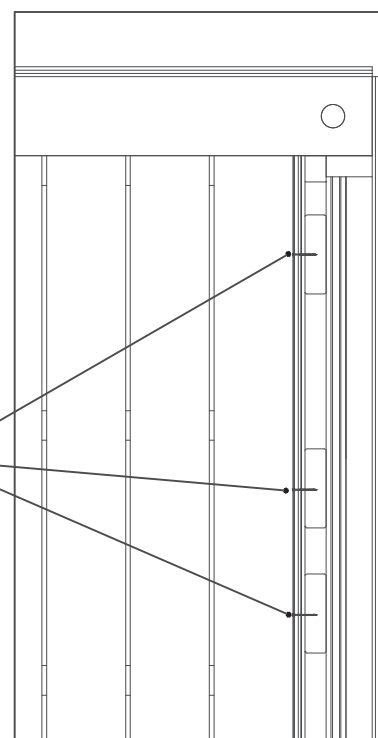


Pos.

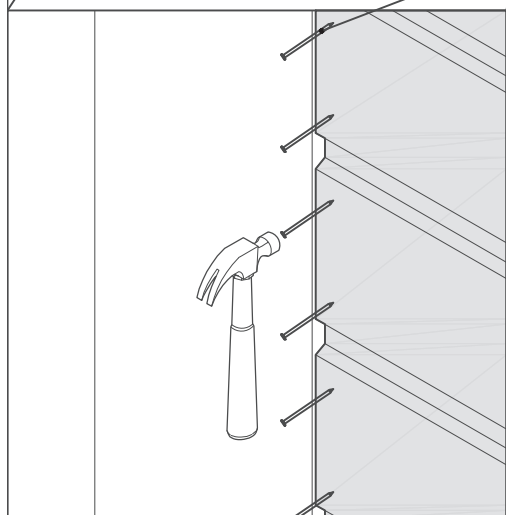
- 37 19x
- QNA2\_2x50Zn 76x
- QKRPP4x40kZn 13x



QNA2\_2x50Zn

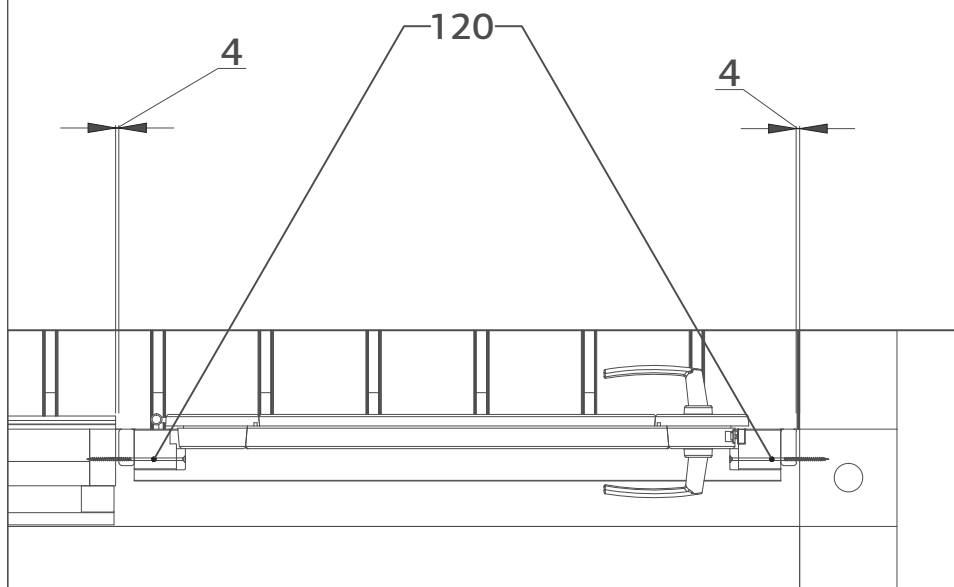
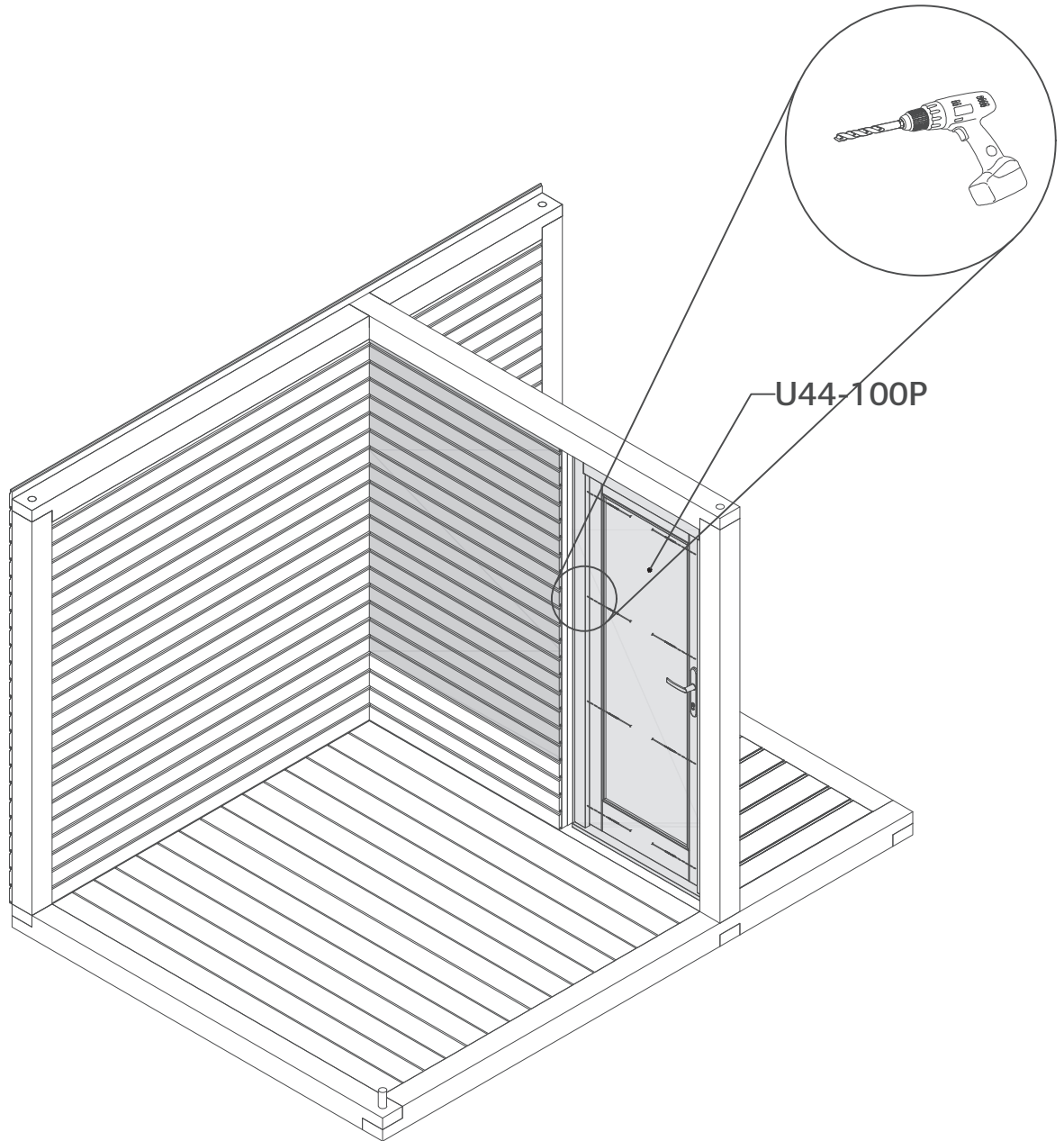


QKRPP4x40kZn



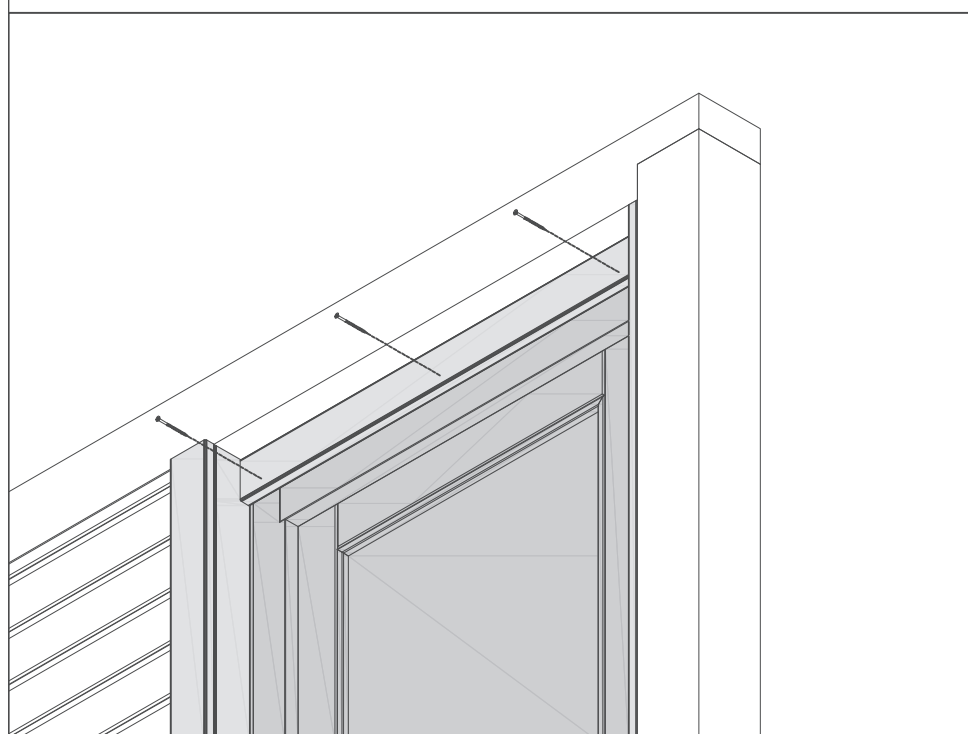
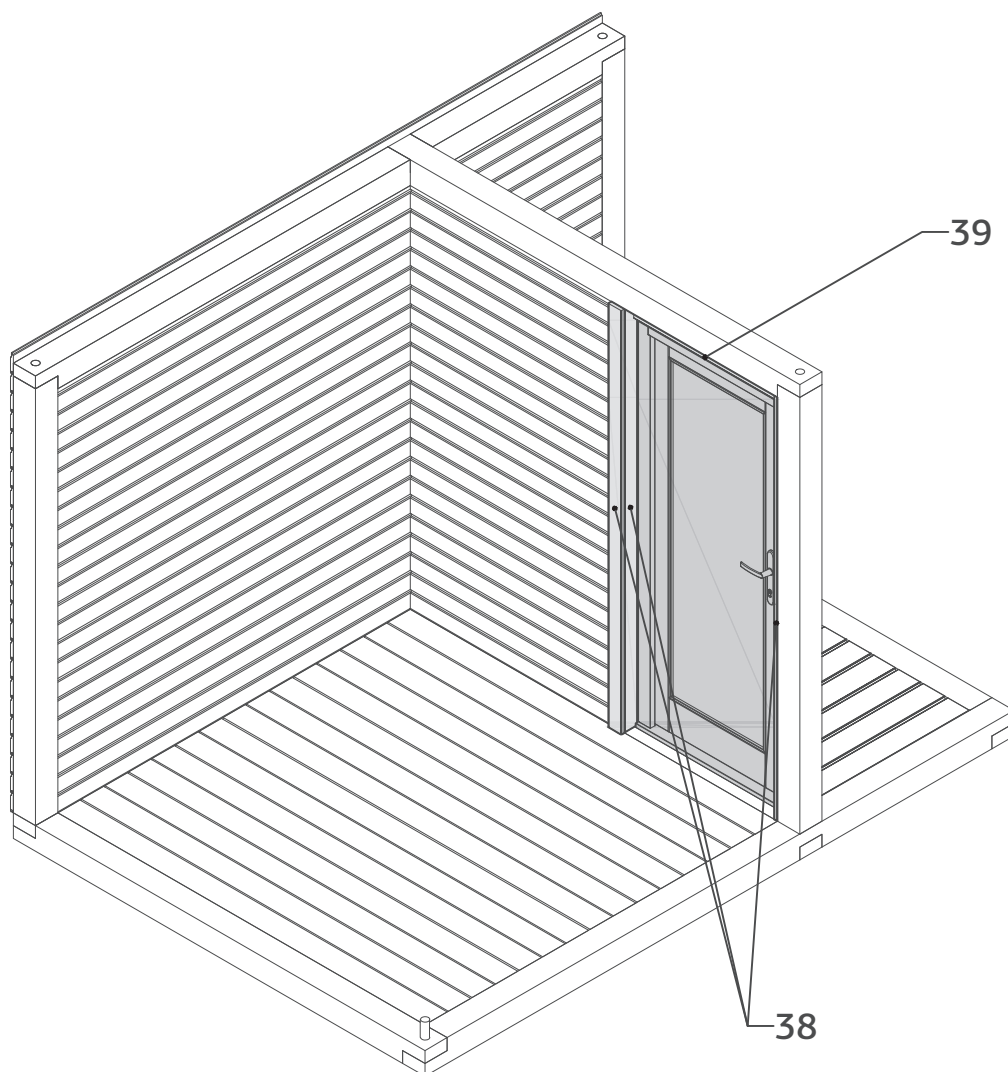
Pos.

- U44-106P 1x
- QKRPP6x120ZnTX-1 8x

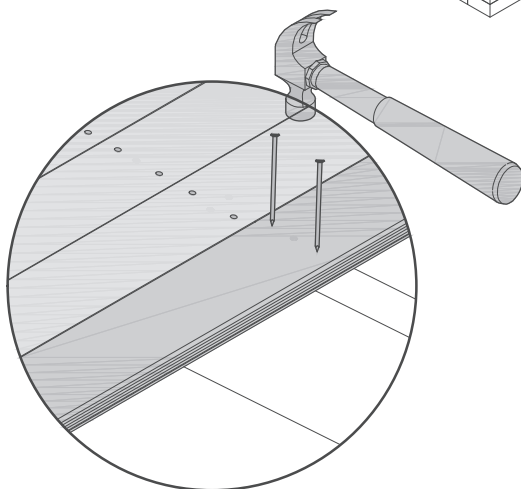
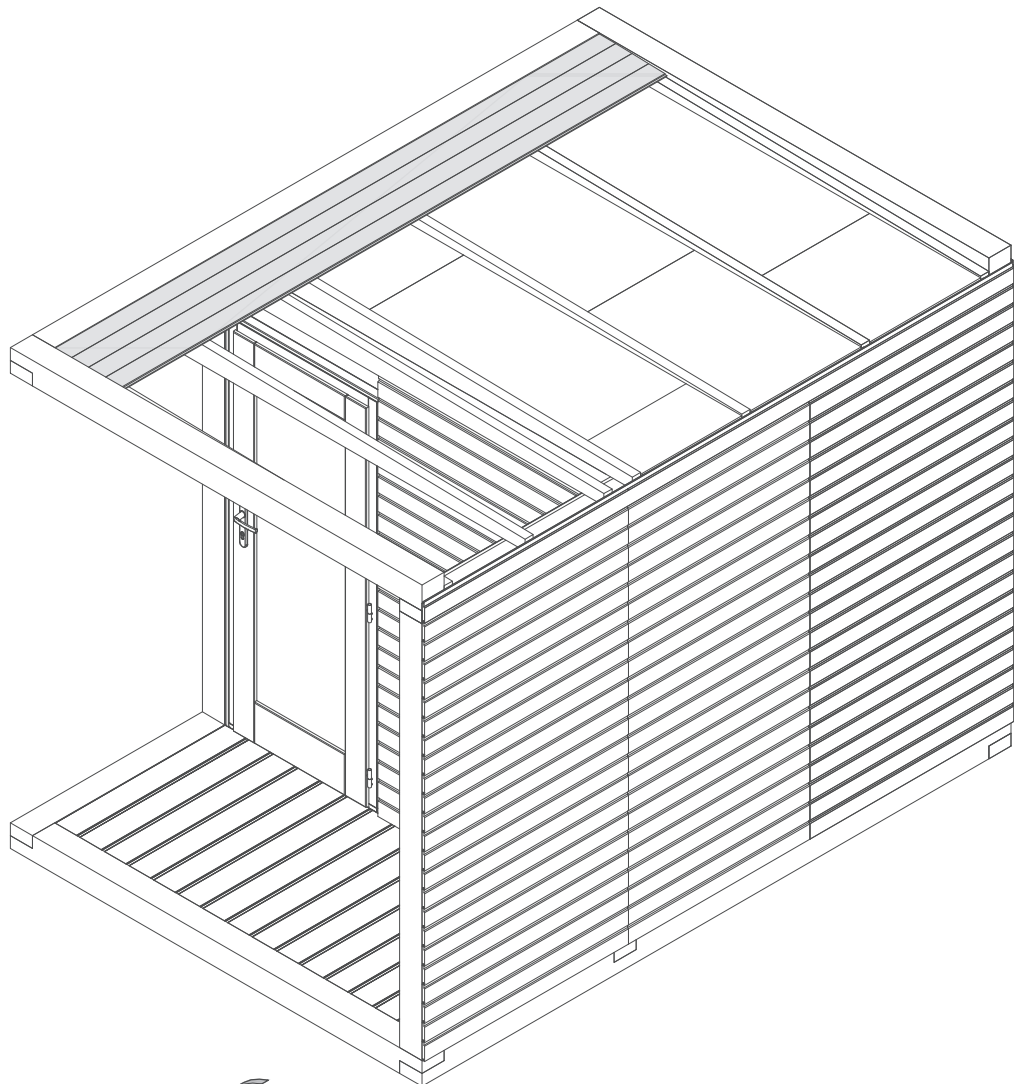


Pos.

- 38 3x
- 39 1x
- QKRPP3\_5x50Zn 18x

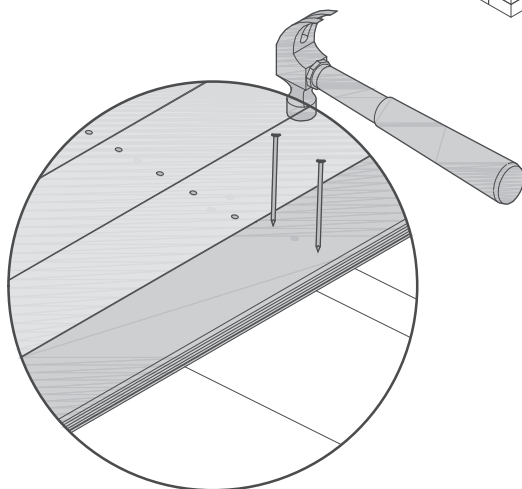
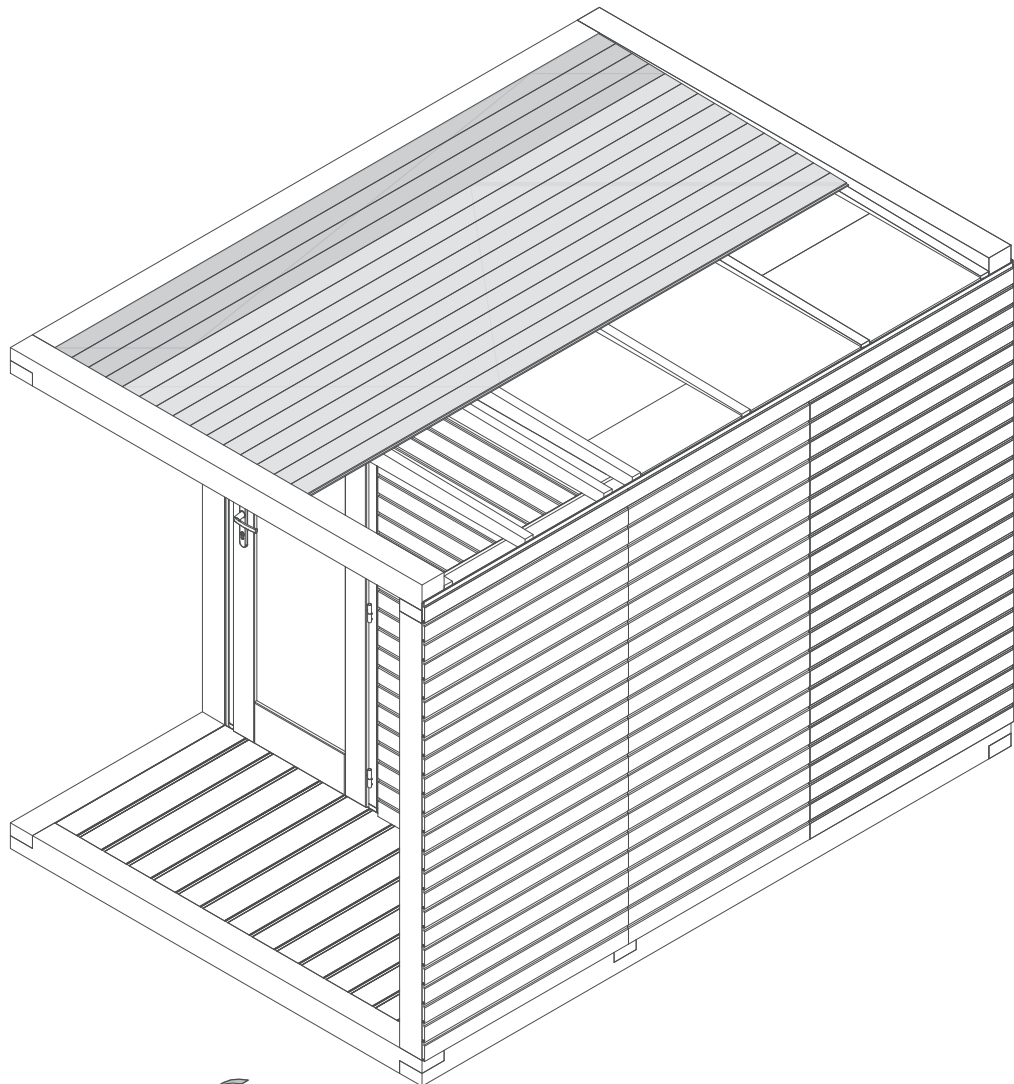


- 40 4x
- QNA2\_2x50Zn 56x



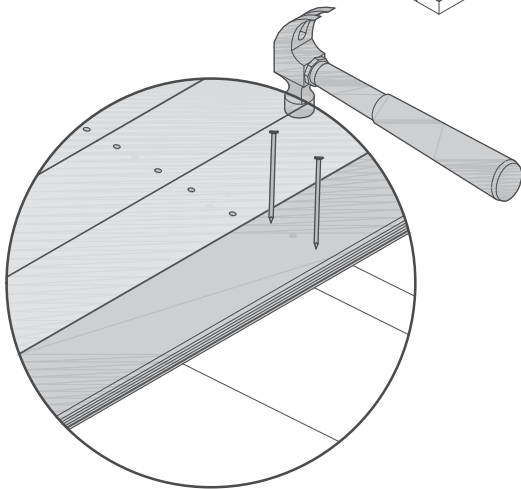
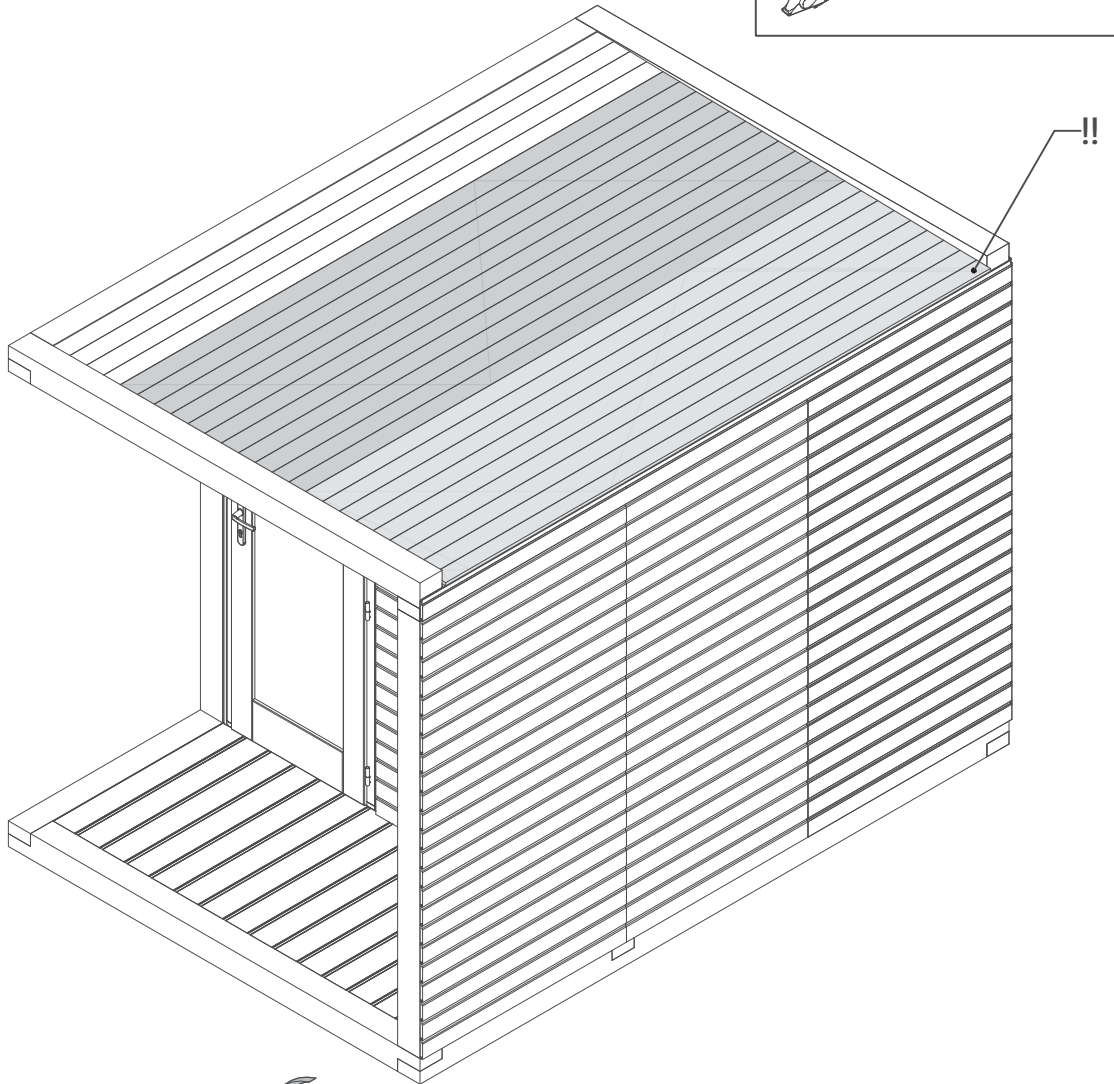
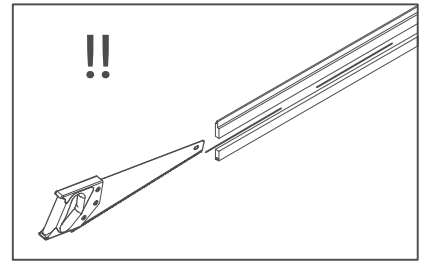
Pos.

- 40 11x
- QNA2\_2x50Zn 154x

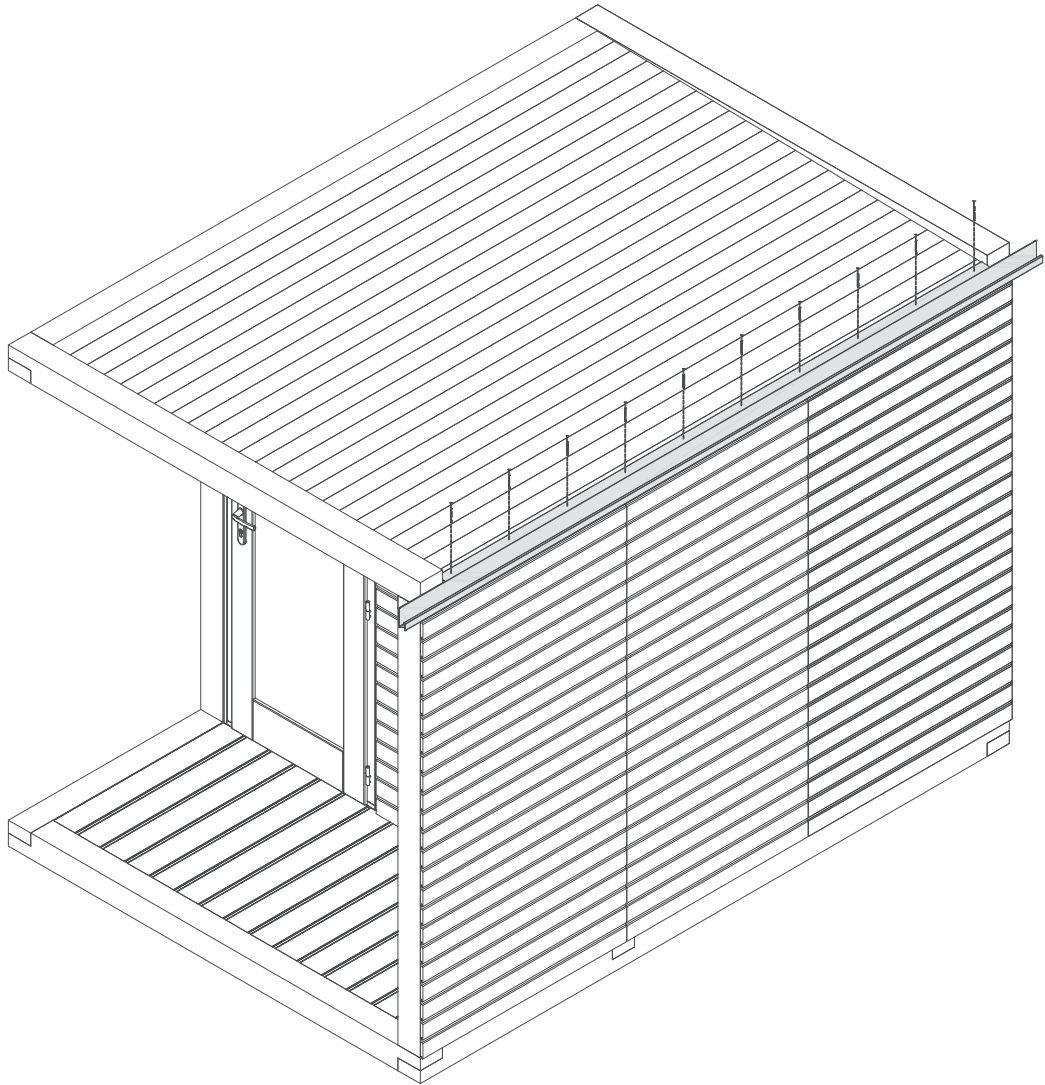


Pos.

- 40 9x
- QNA2\_2x50Zn 126x

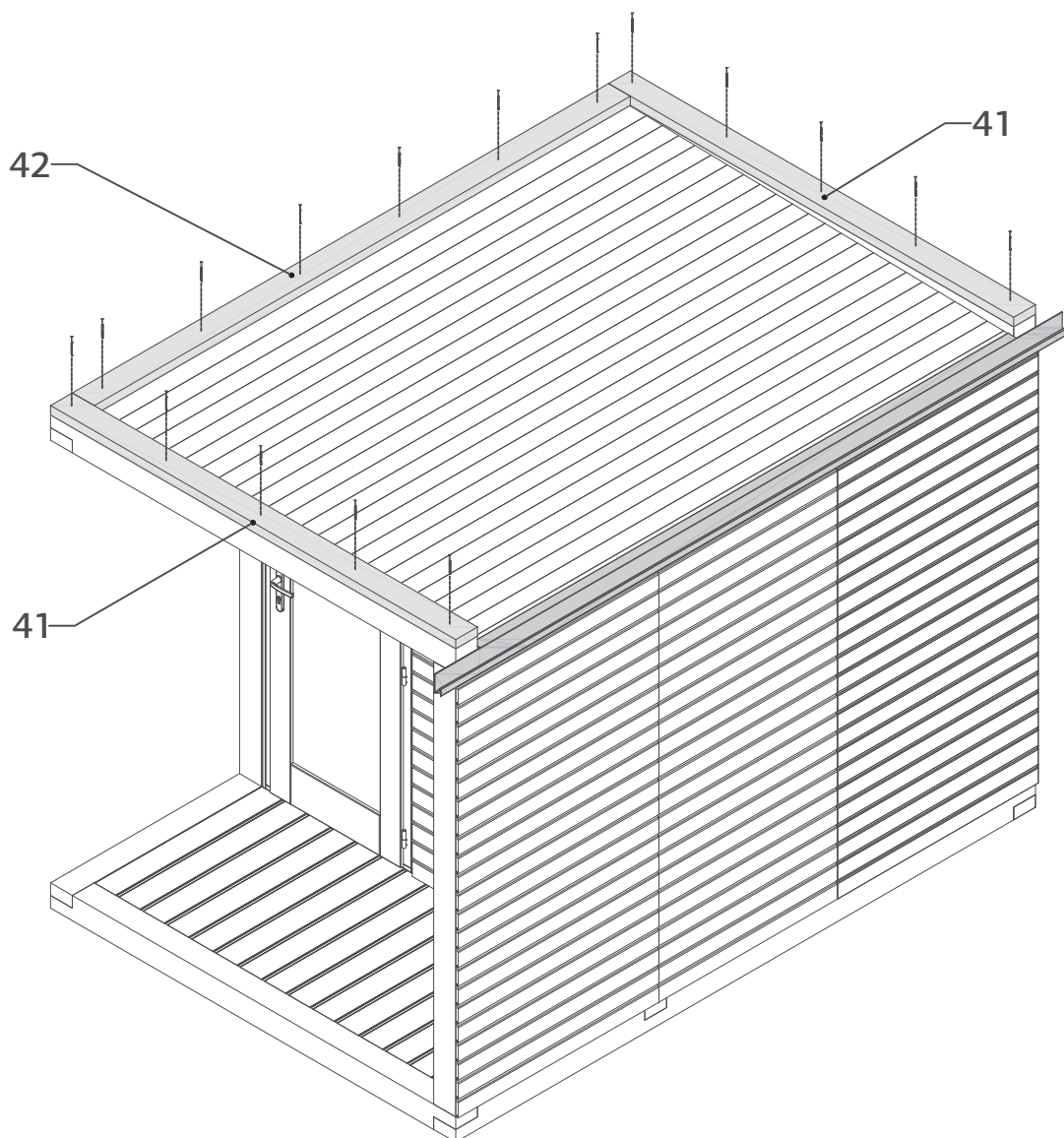


- Gutter 1x
- QKRPP3\_5x50Zn 10x



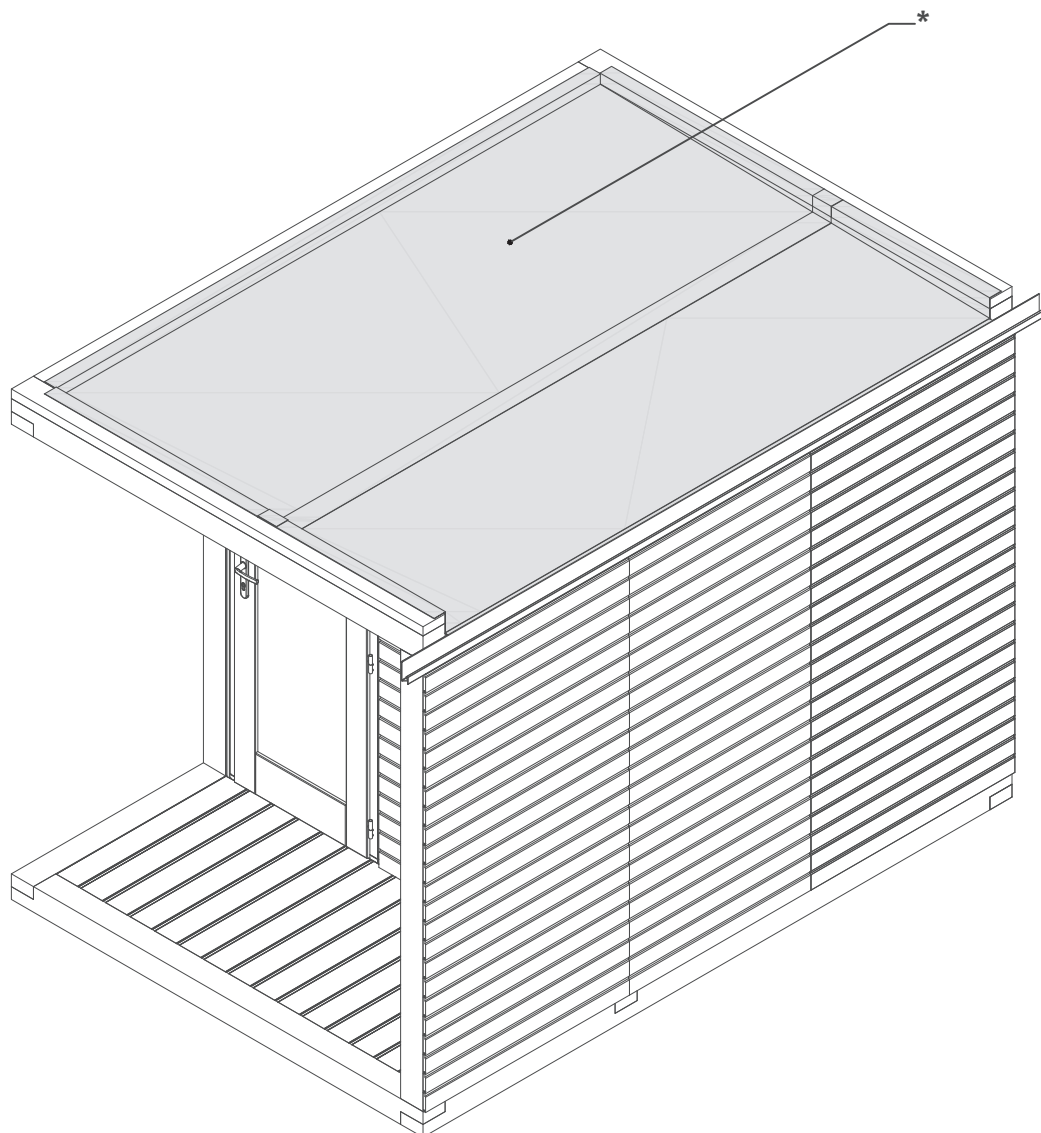
Pos.

- 41 2x
- 42 1x
- QKRPP5x90Zn 15x





## ● EPDM \*

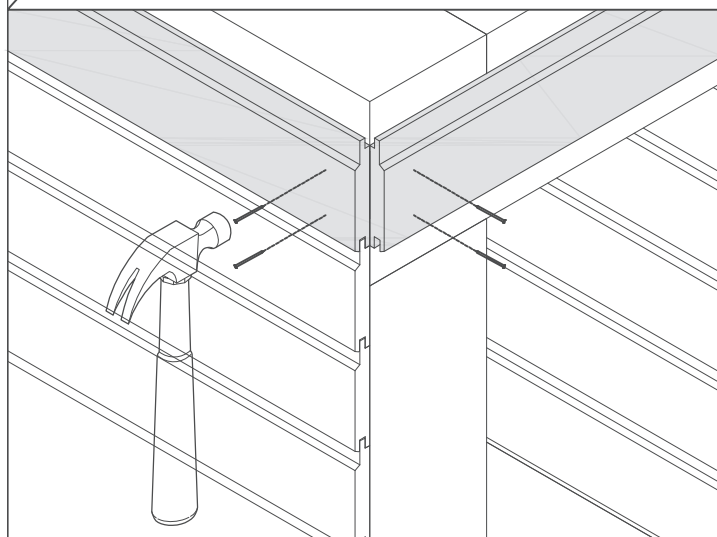
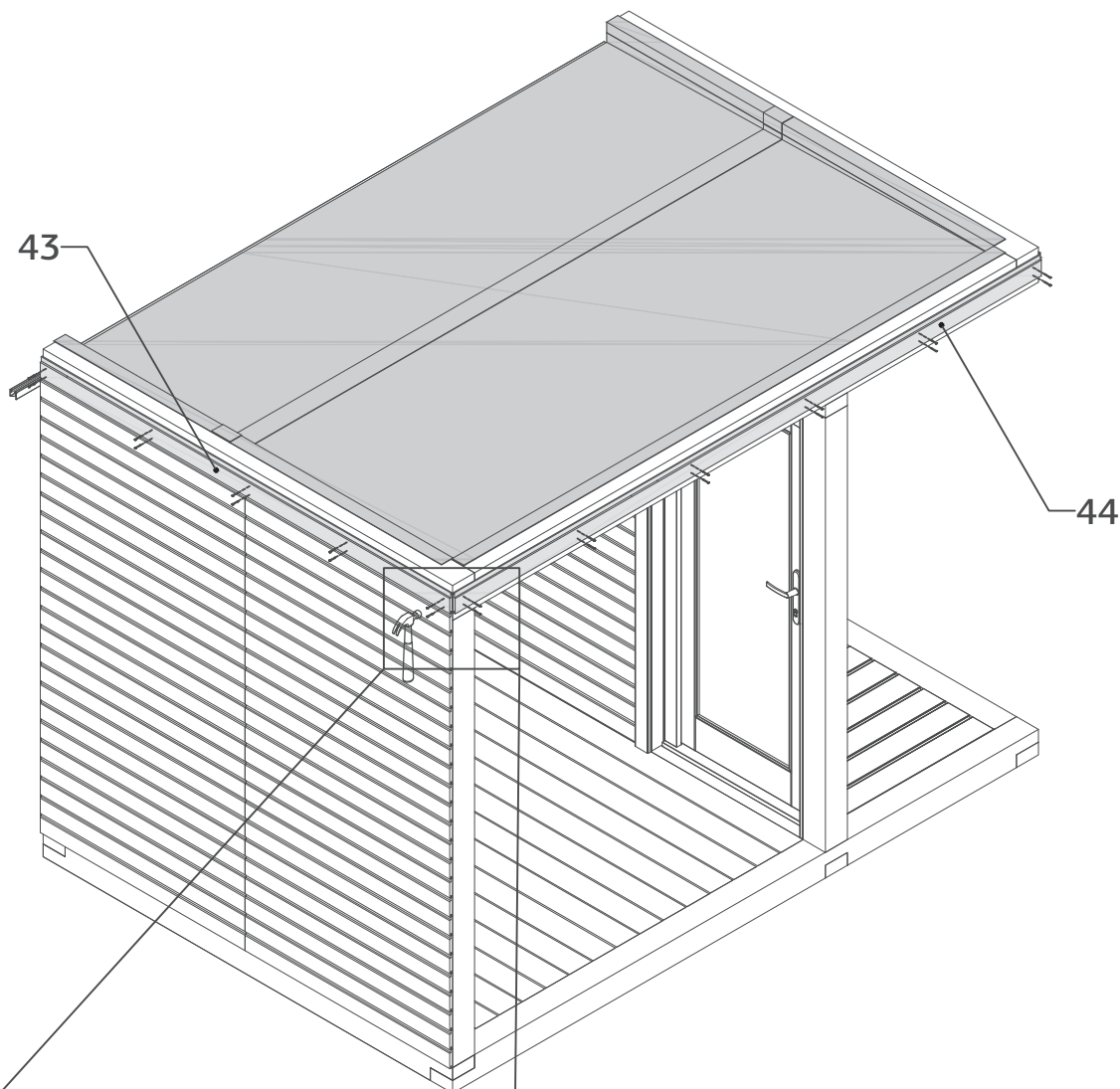


\*

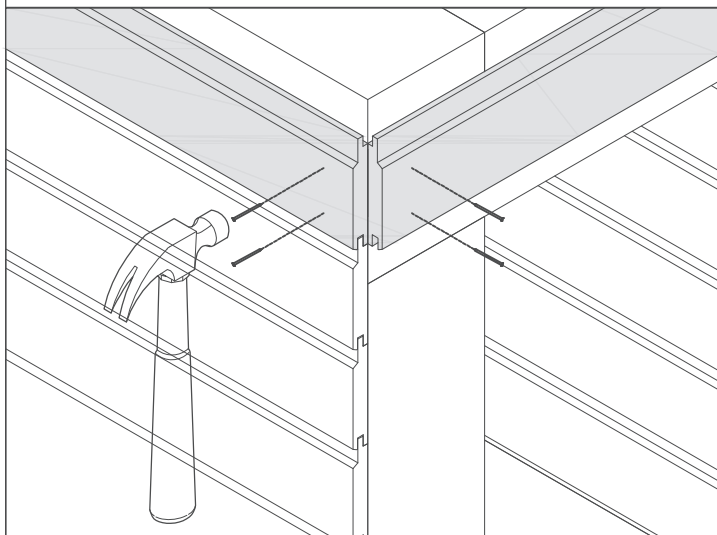
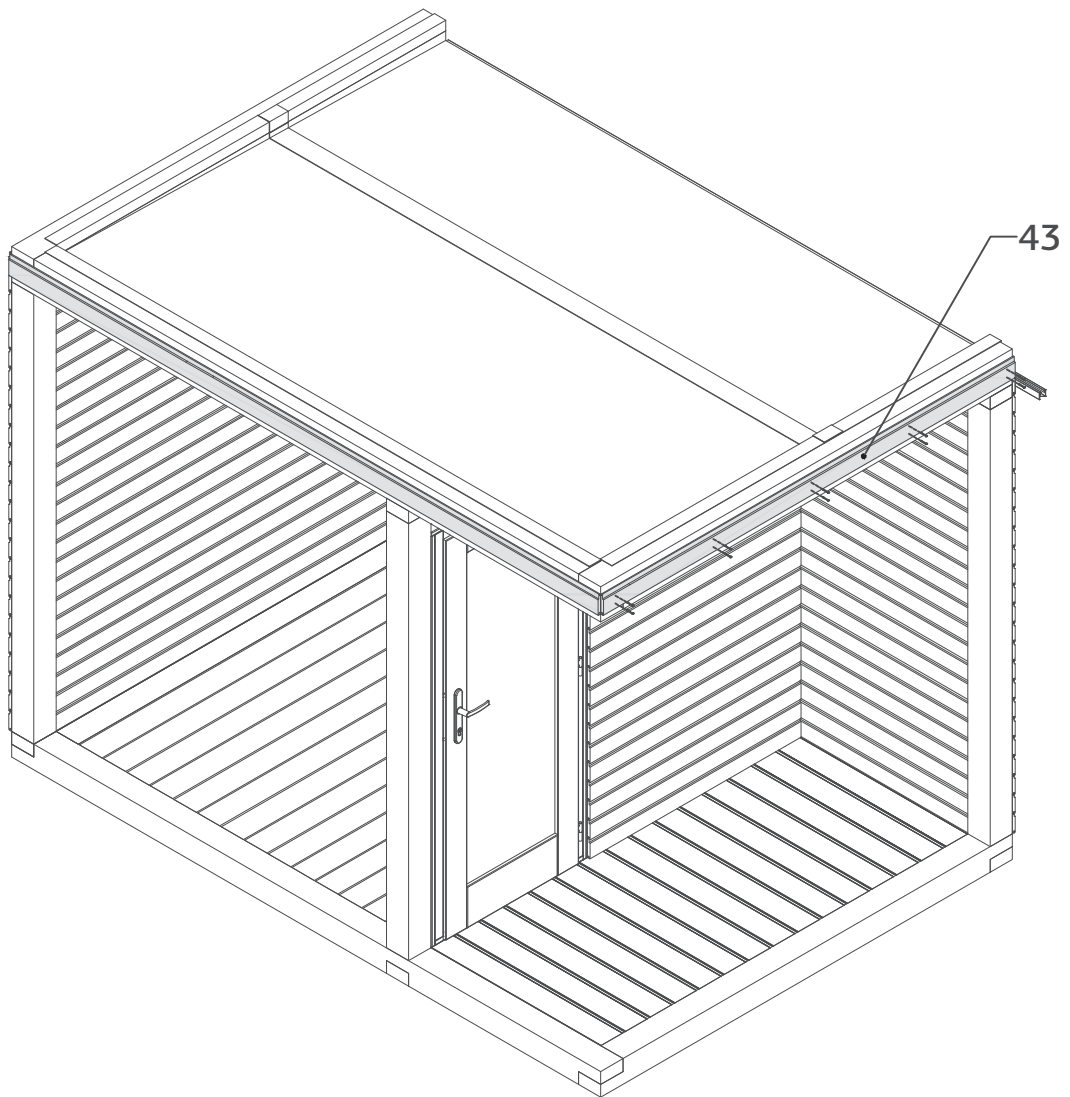
- EN - Not included in the kit: roof cover material.  
 DE - Nicht im Lieferumfang: Dacheindeckung.  
 ES - No incluidos en el kit: material de cubierta de techo.  
 NL - Niet inbegrepen in de kit: dakbedekkingsmateriaal.  
 IT - Non inclusi nel kit: materiale di copertura del tetto.  
 PT - Não incluídos no kit: material para a cobertura de teto.  
 FR - Non inclus dans le kit : matériau de couverture de toit.  
 DK - Ikke inkluderet i sættet: tagdækningsmateriale.  
 LV - Komplektā neietilpst: jumta seguma materiāls.  
 LT - Komplekte nėra: stogo dangą.  
 PL - Zestaw nie zawiera: materiał pokrycia dachu.  
 CZ - Důležité! Součástí hříště nejsou: materiál stýčený krytiny.  
 FI - Lisäosat (tilattava erikseen): katemateriaali.  
 SE - Följande ingår ej: takbeläggningmaterial.  
 NO - Inngår ikke i settet: taktekke.  
 ET - Katusekattematerjal ei sisaldu komplektis.

Pos.

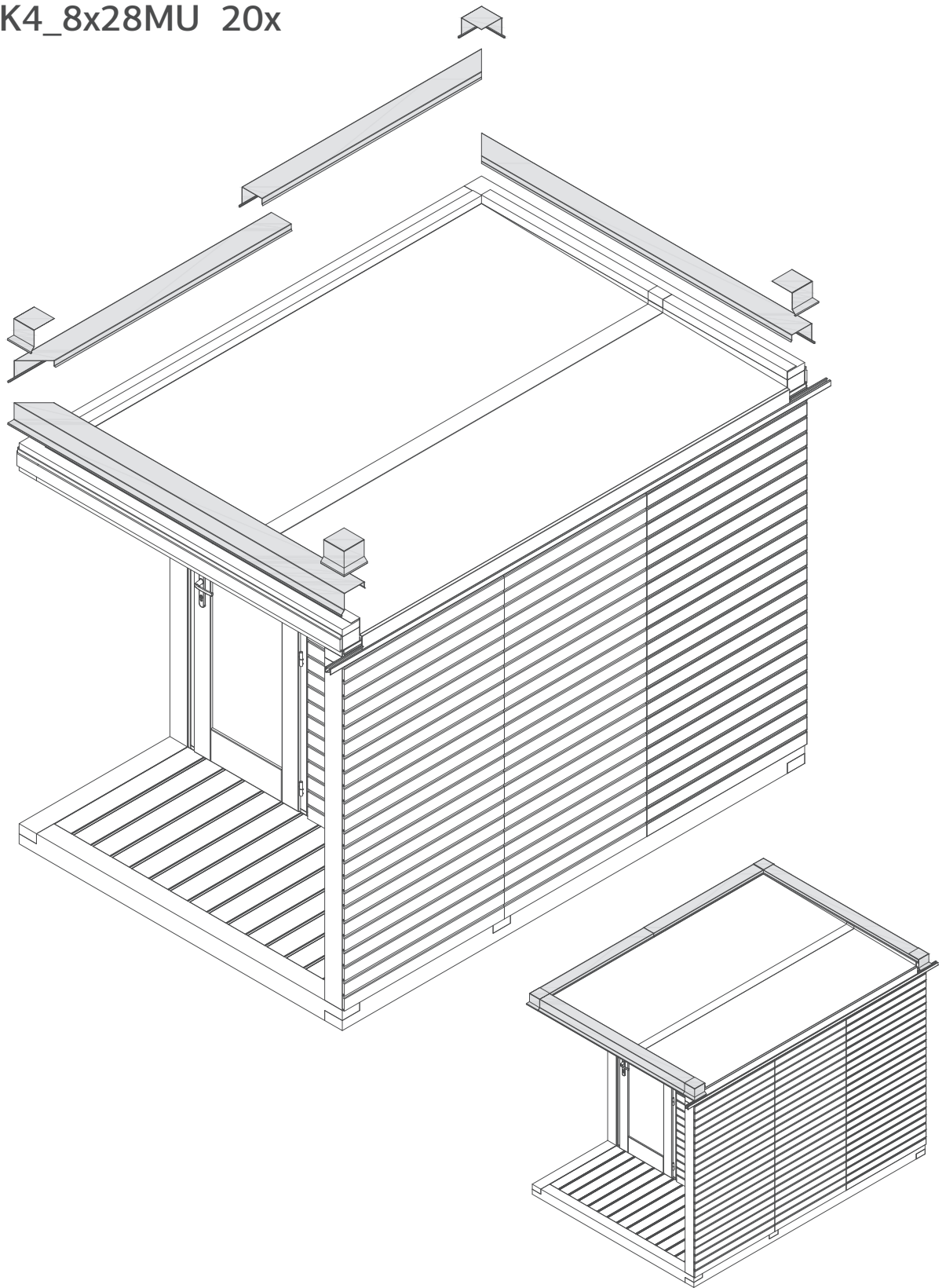
- 43 1x
- 44 1x
- QNA2\_2x50Zn 22x



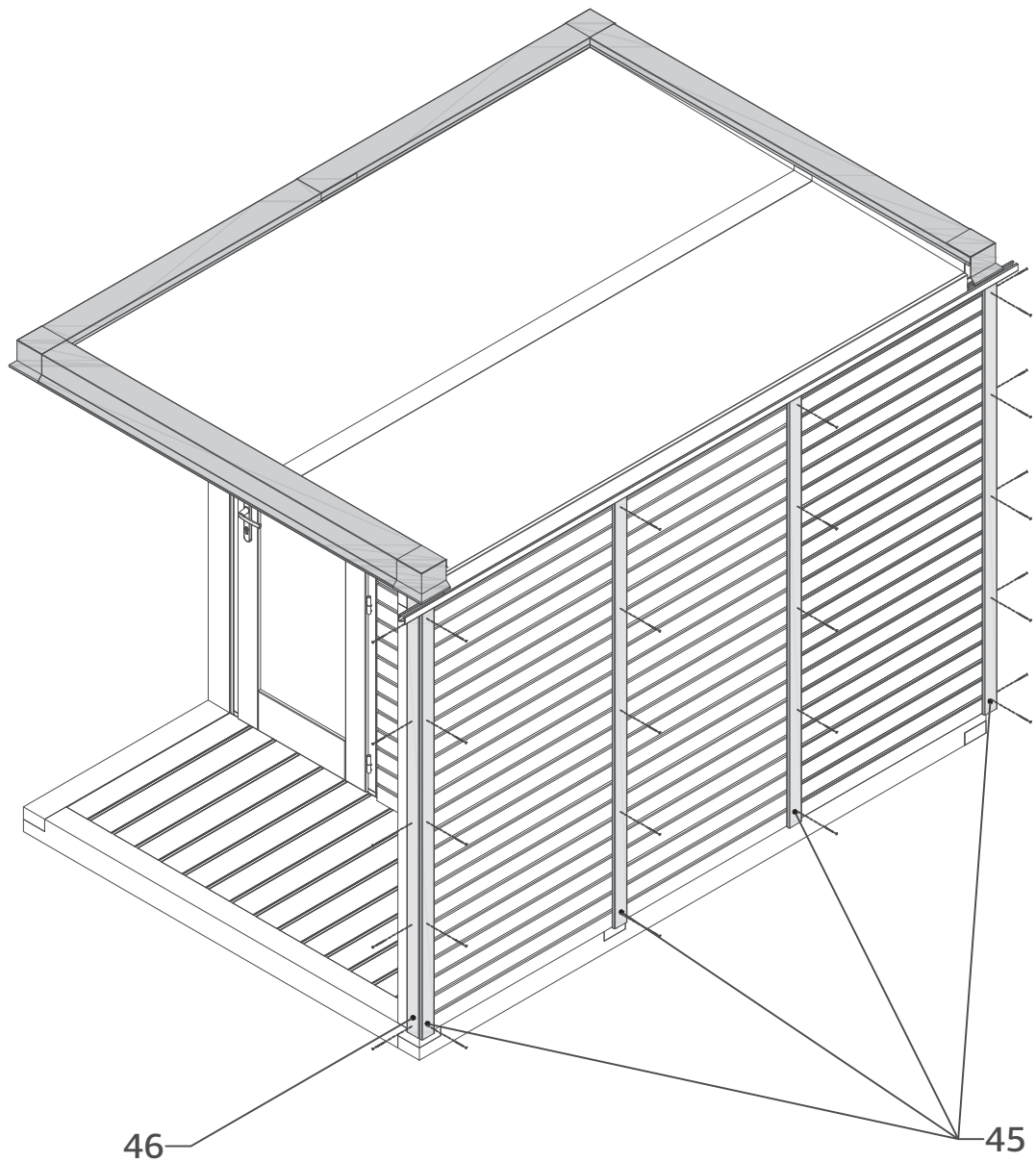
- 43 1x
- QNA2\_2x50Zn 10x



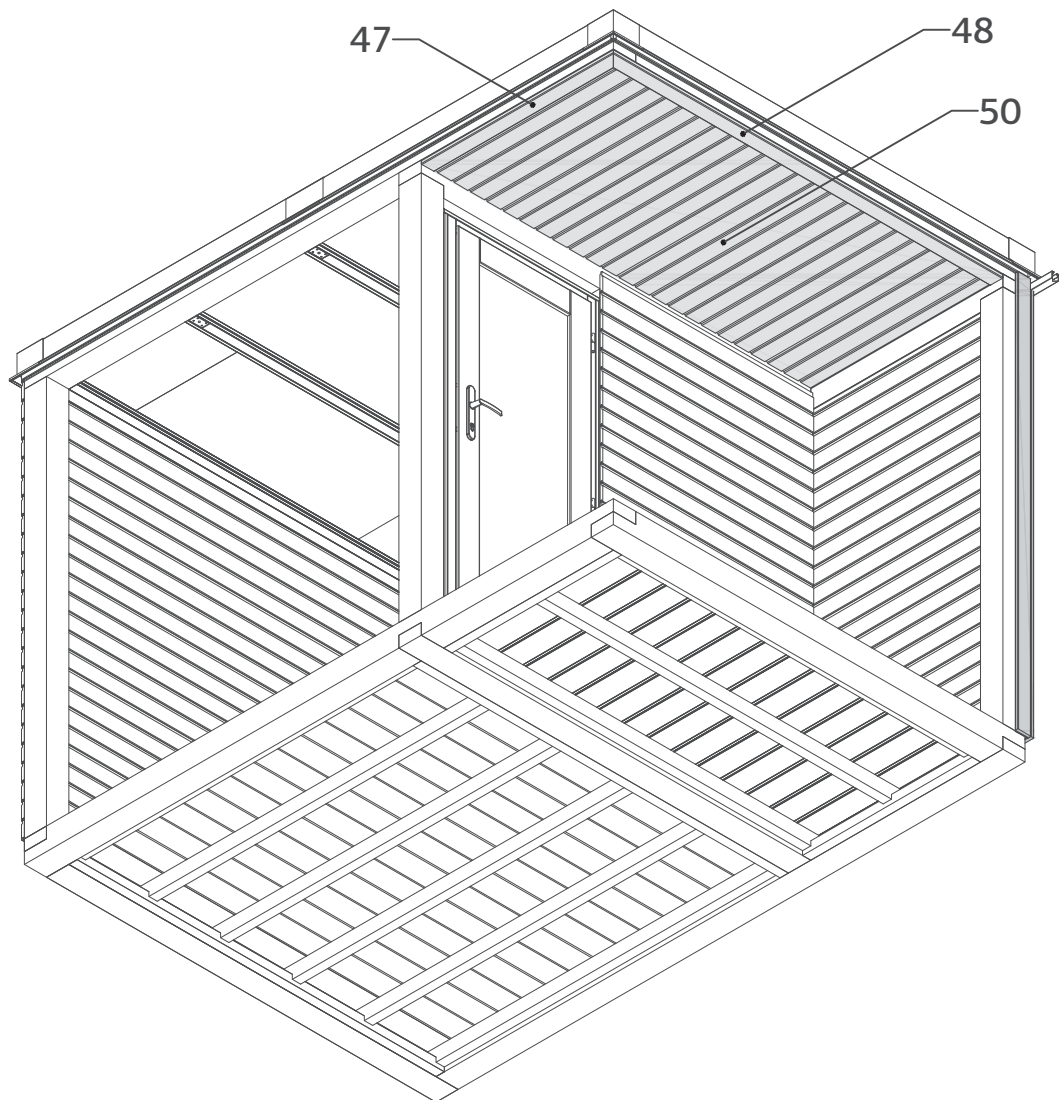
- Covers 1x
- QKRKK4\_8x28MU 20x



- 45 4x
- 46 2x
- QKRPP4x40kZn 30x

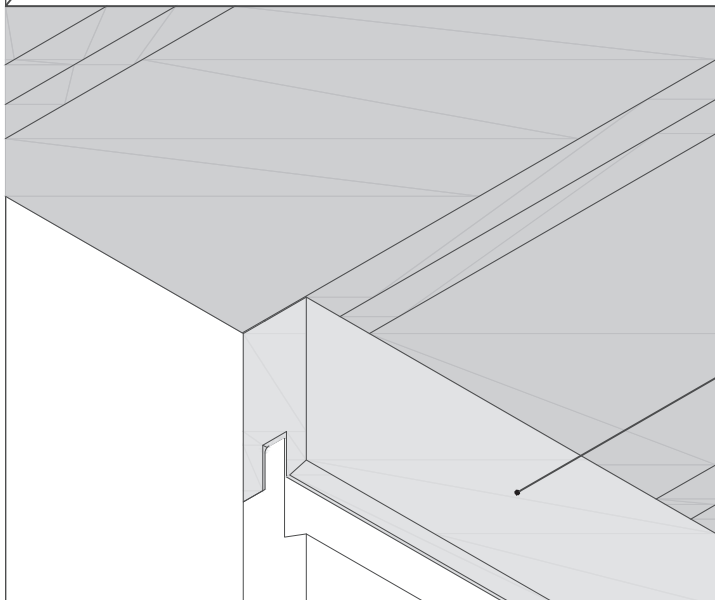
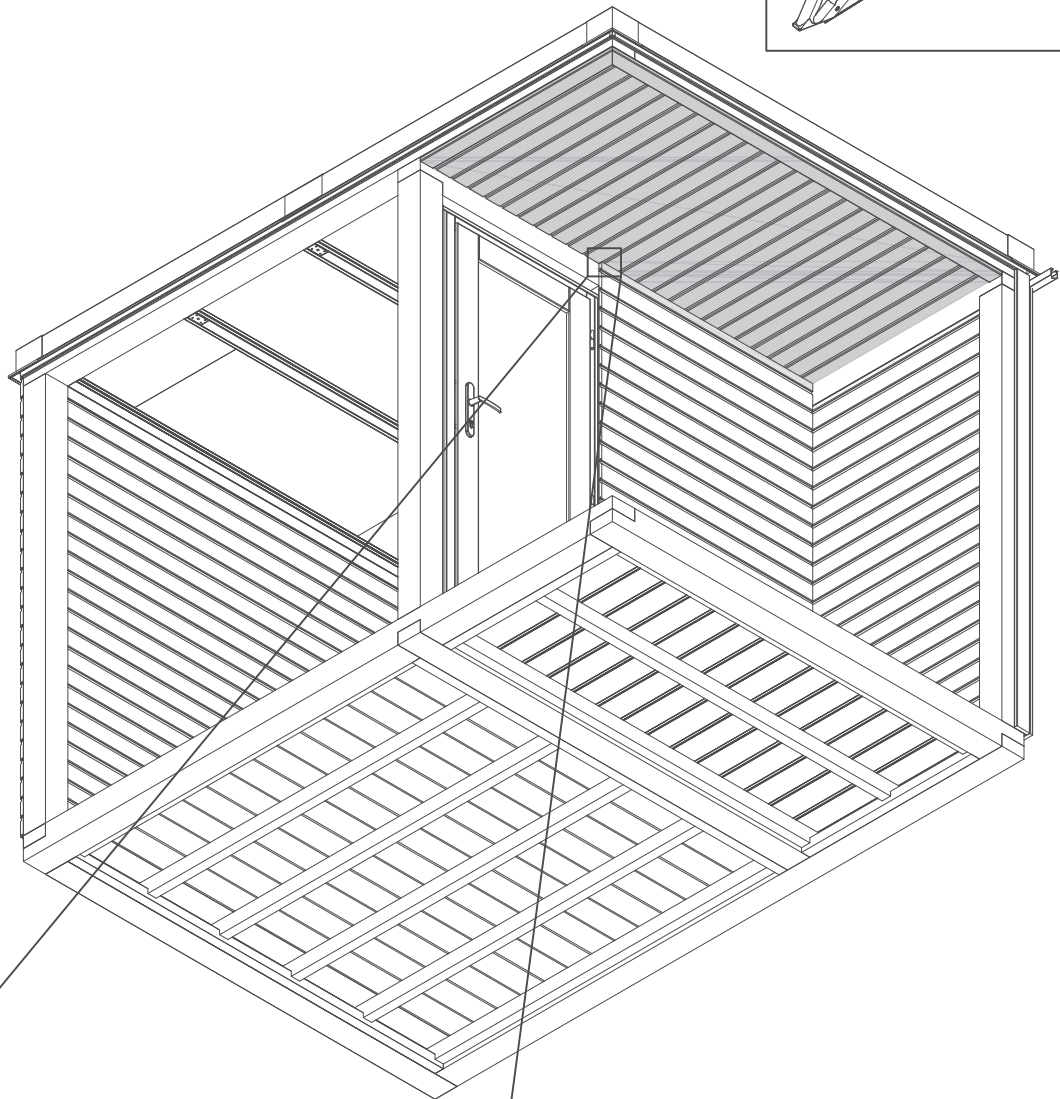
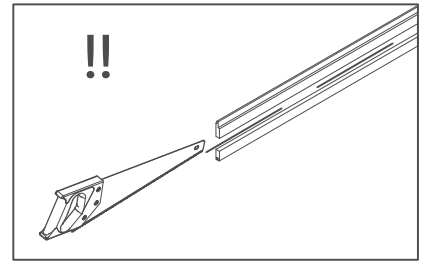


- 50 24x
- 47 1x
- 48 1x
- QNA2\_2x50Zn 150x



Pos.

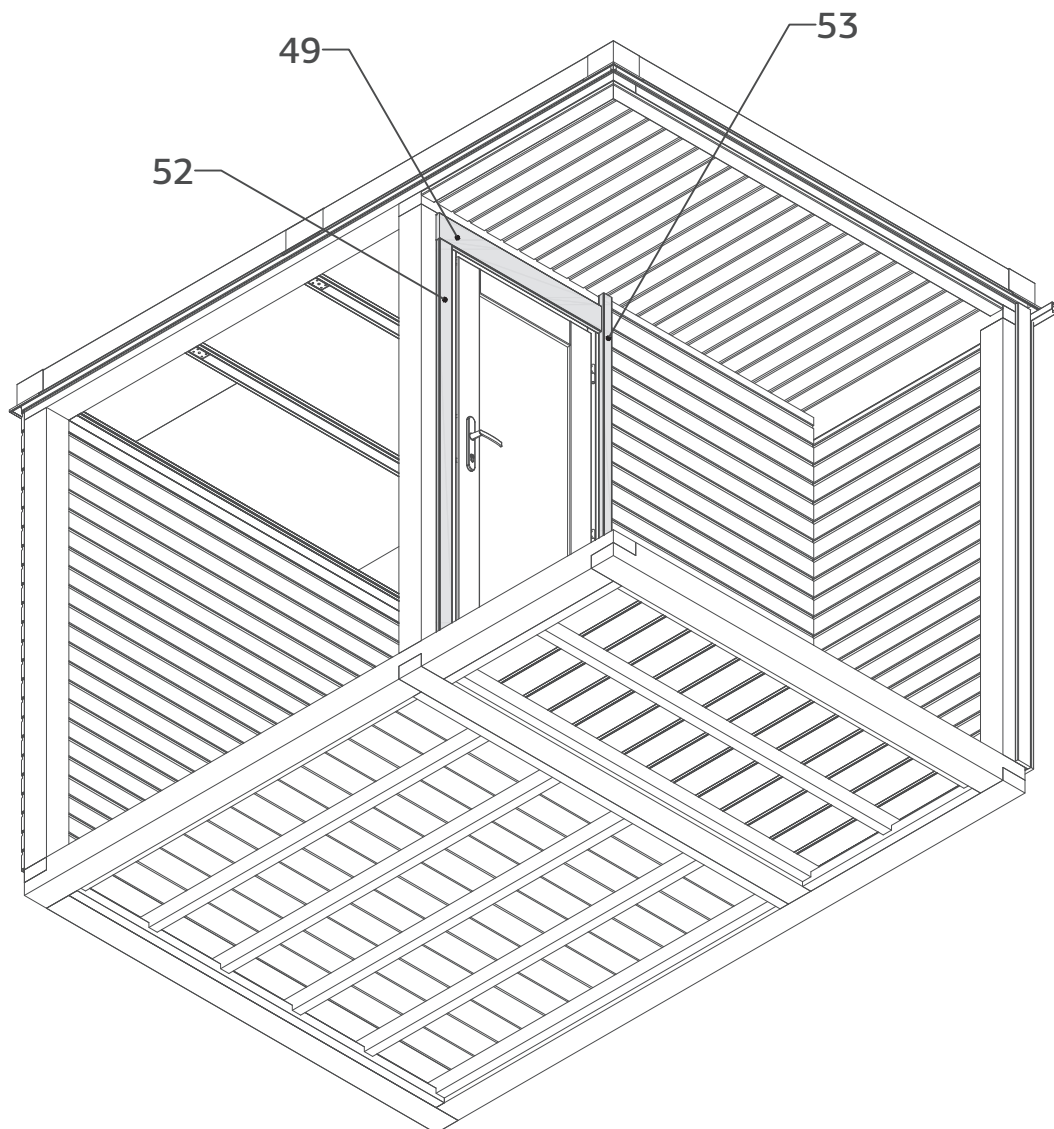
- 51 1x
- QNA2\_2x50Zn 5x



51

Pos.

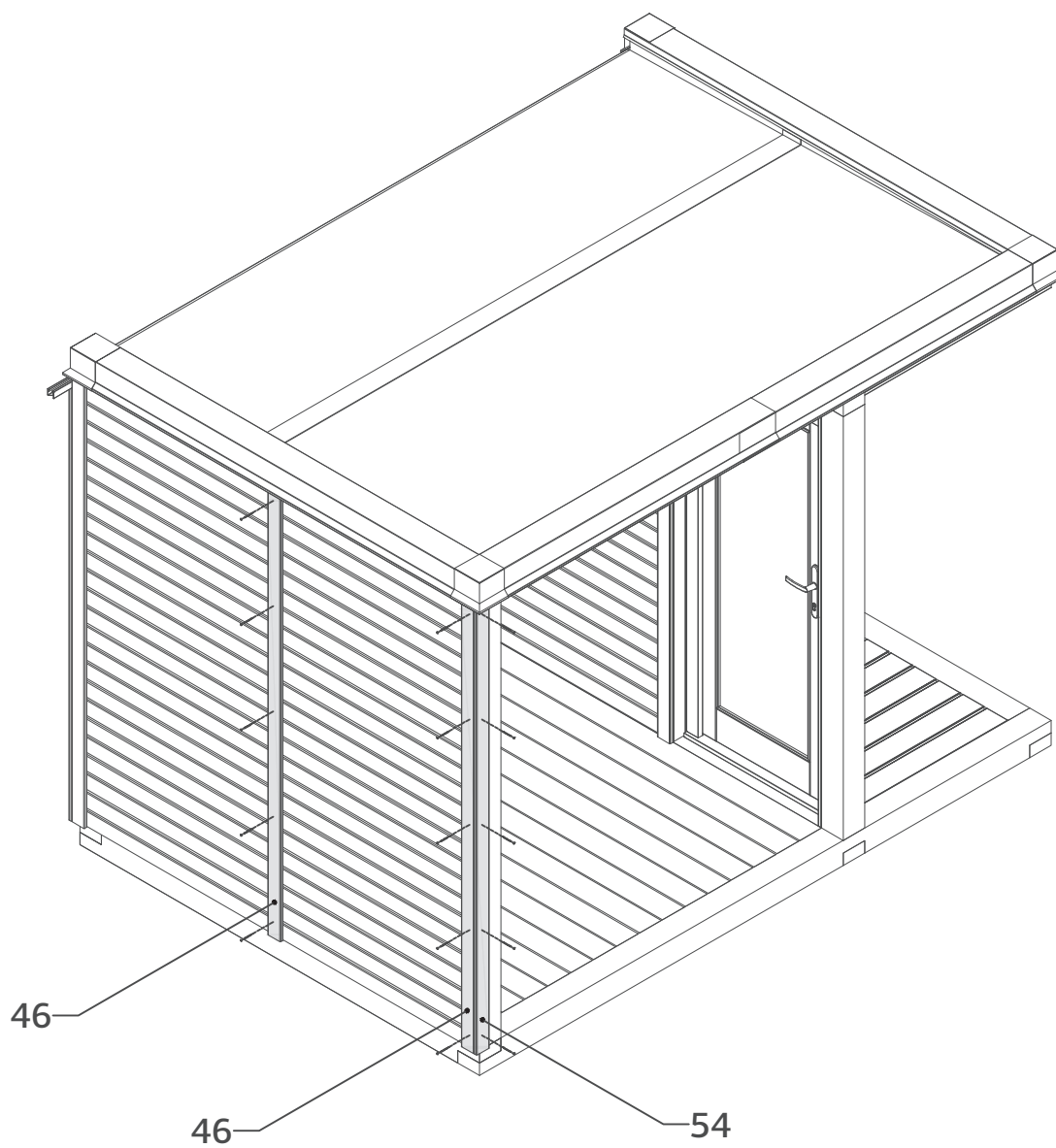
- 49 1x
- 52 1x
- 53 1x
- QNA2\_2x50Zn 14x



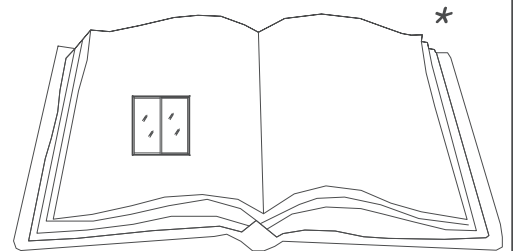
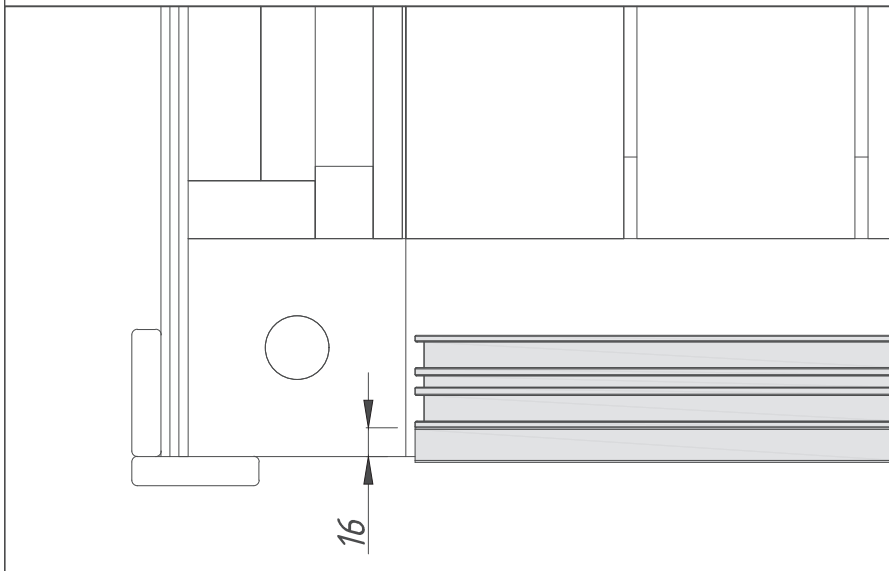
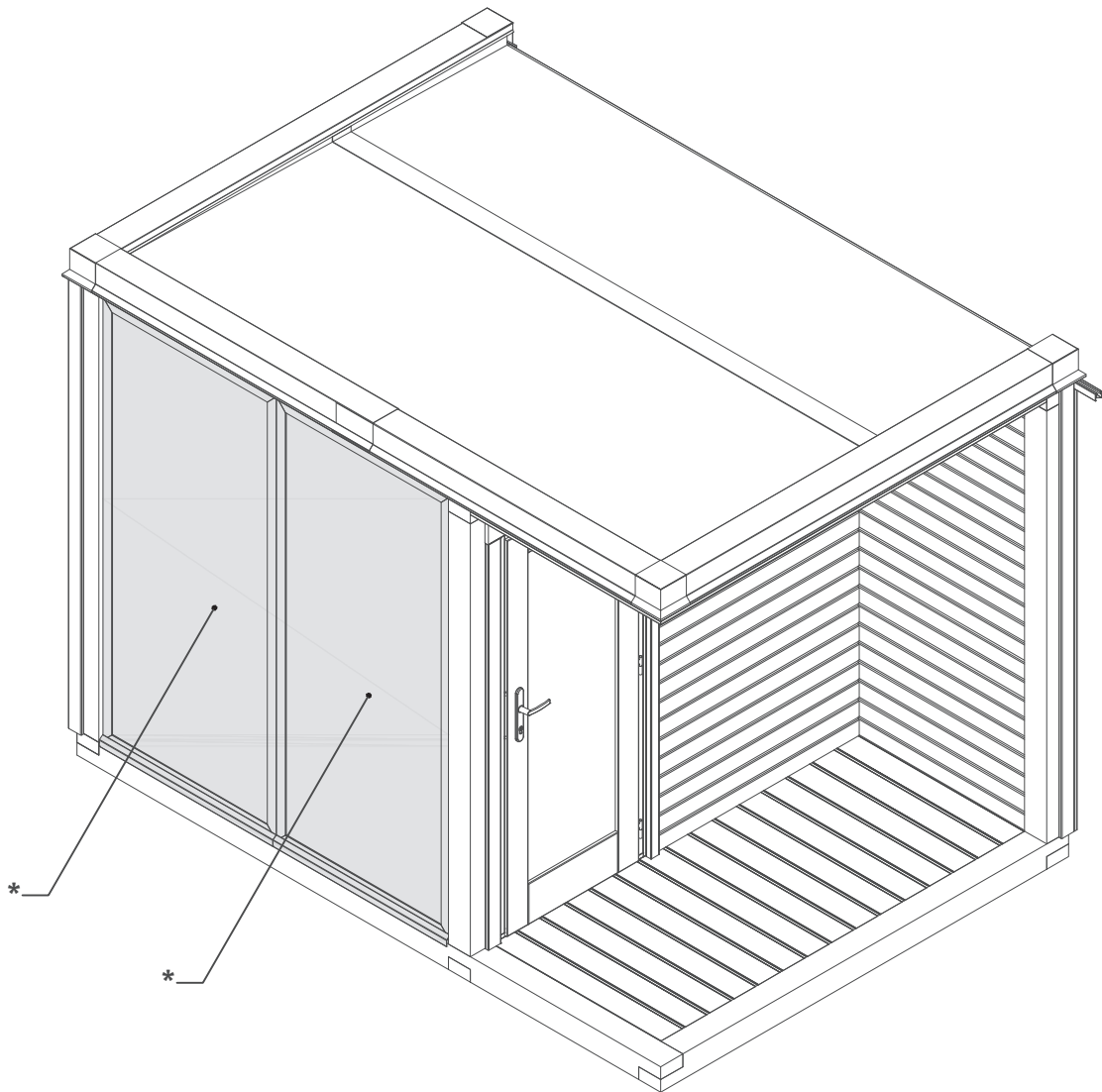


Pos.

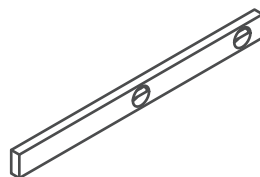
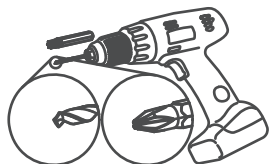
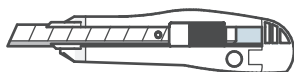
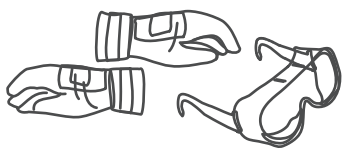
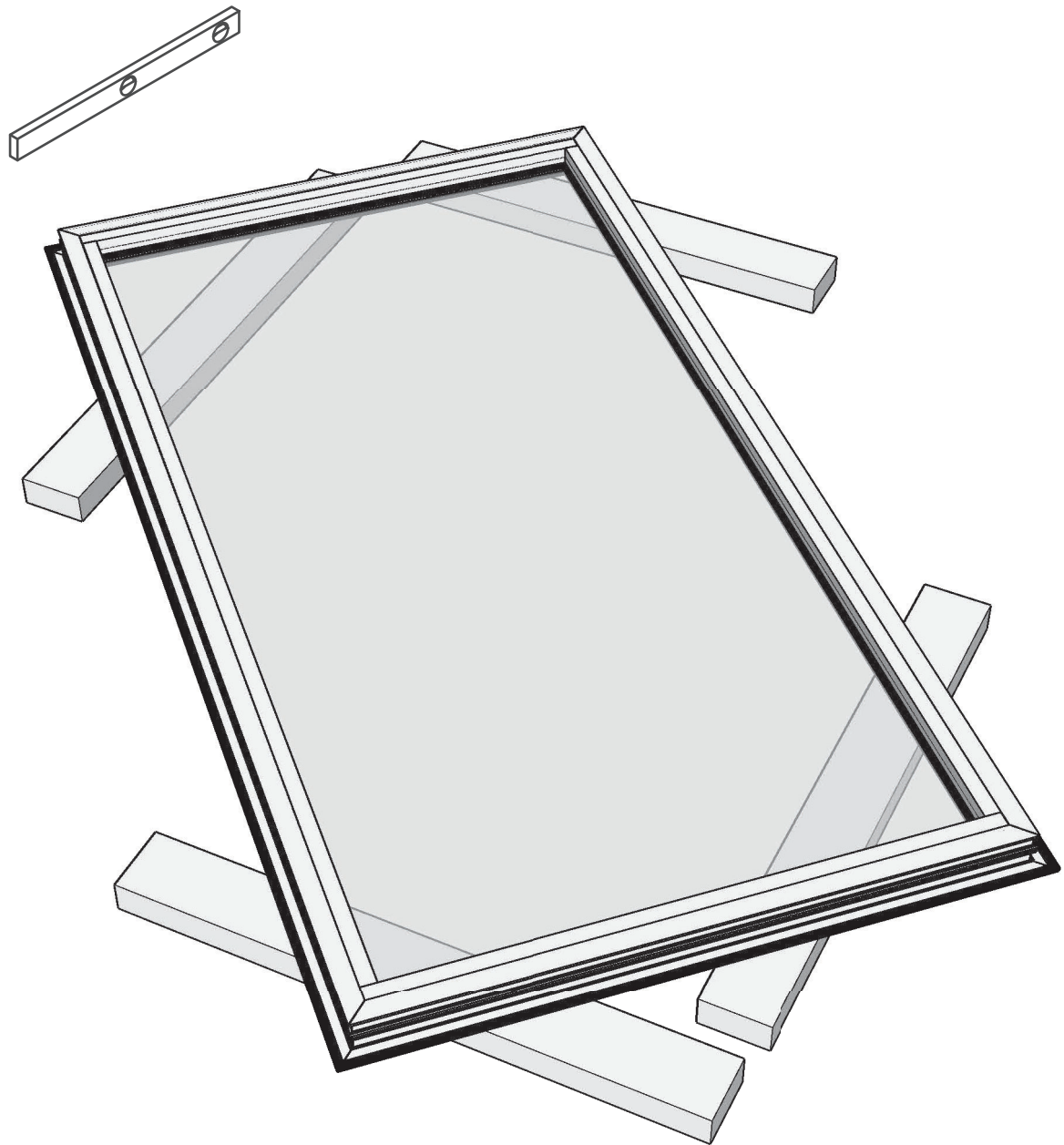
- 46 2x
- 54 1x
- QKRPP4x40kZn 15x



- A51-4-7016 2x

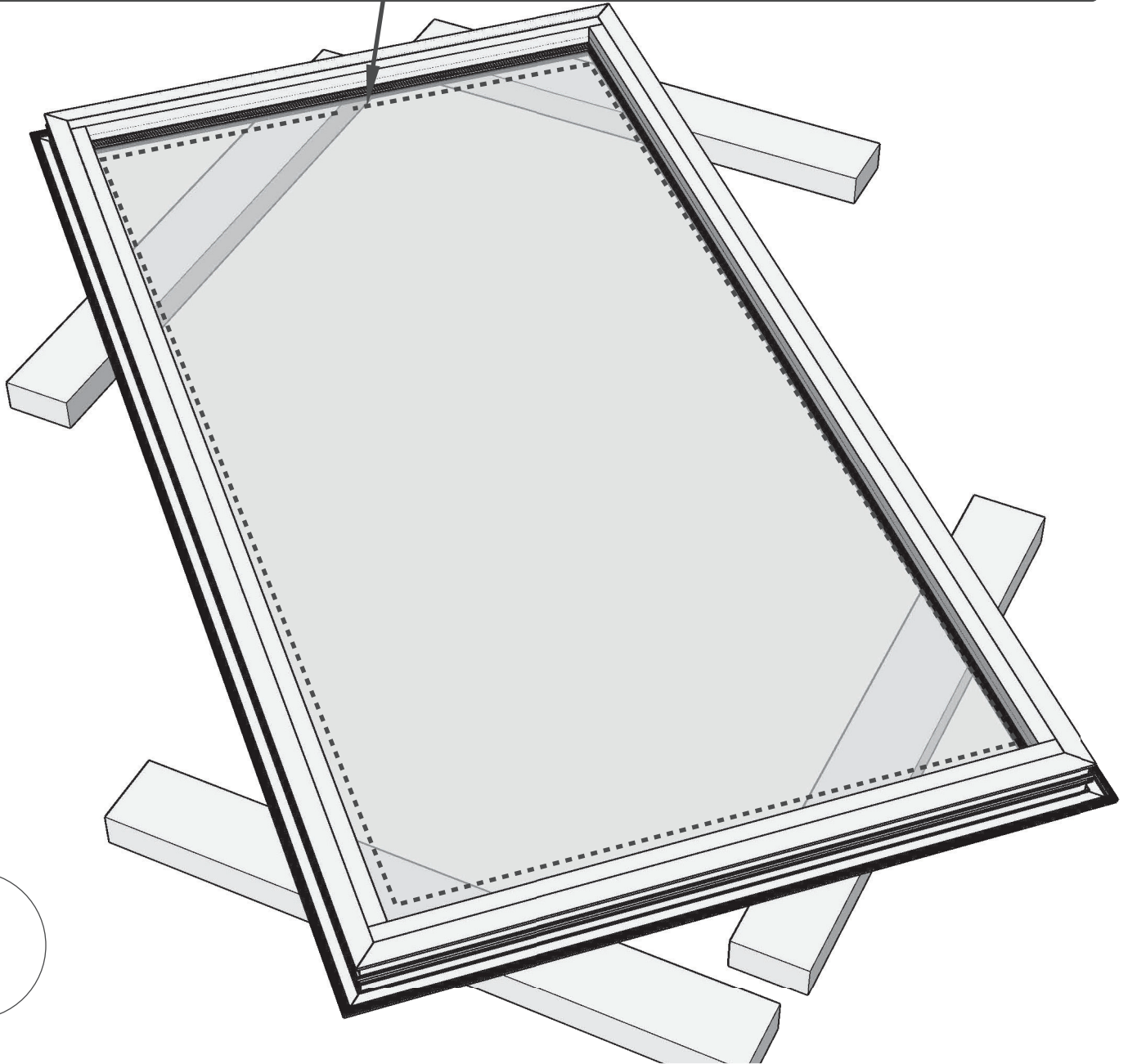
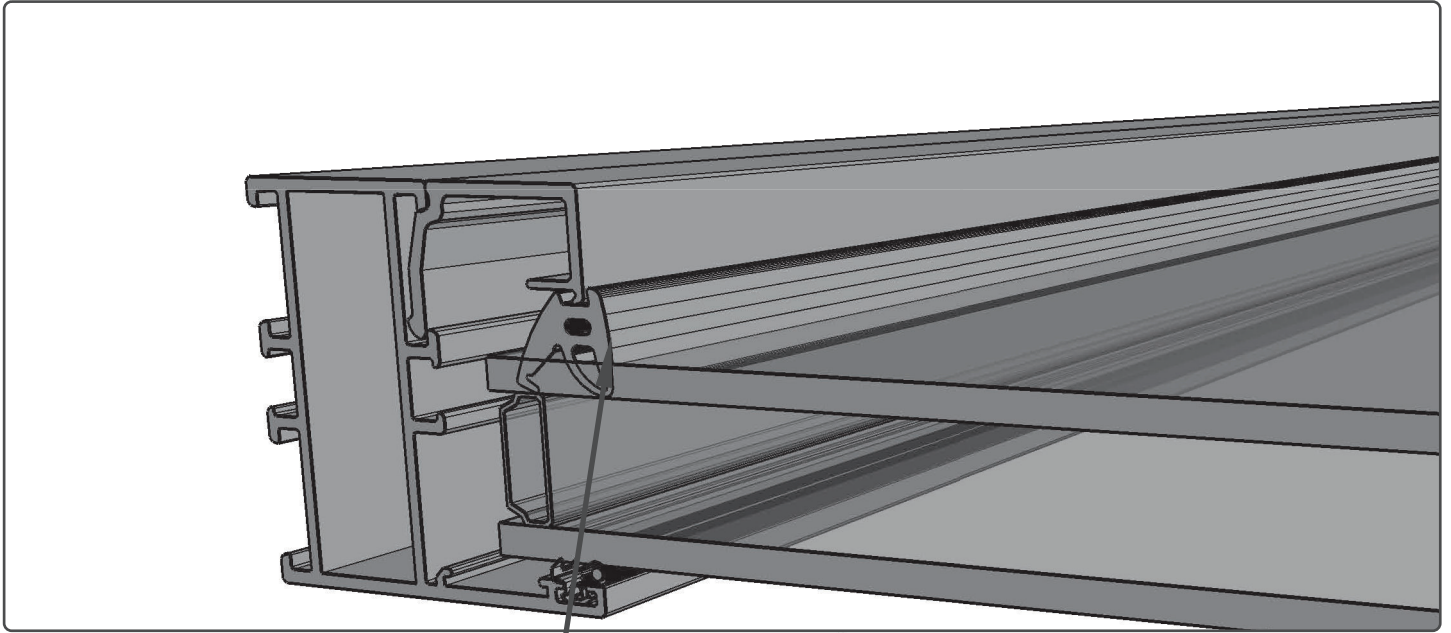


Plan:  
Positions: A51-4-7016



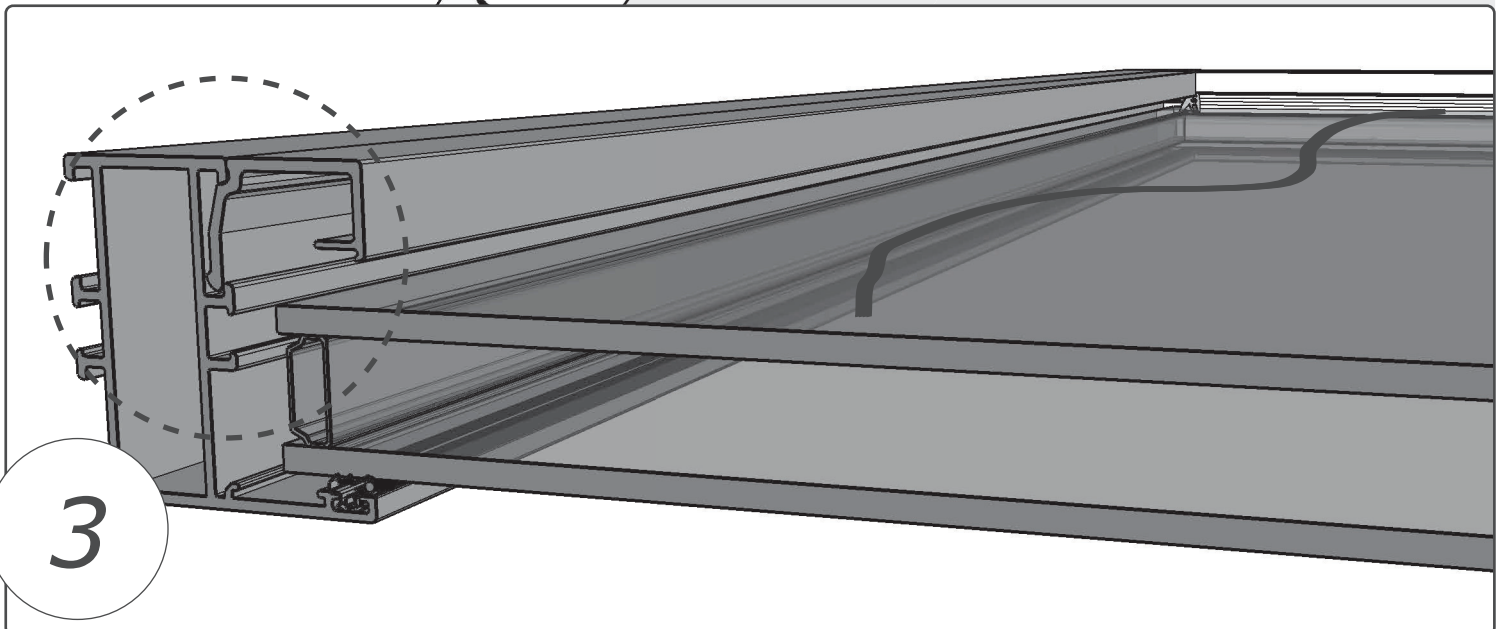
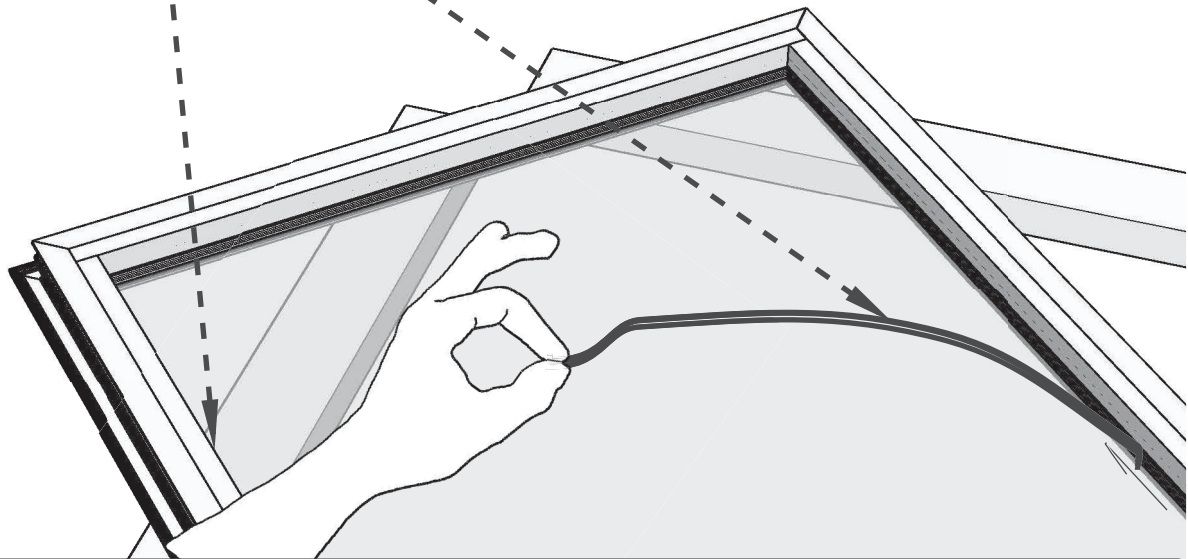
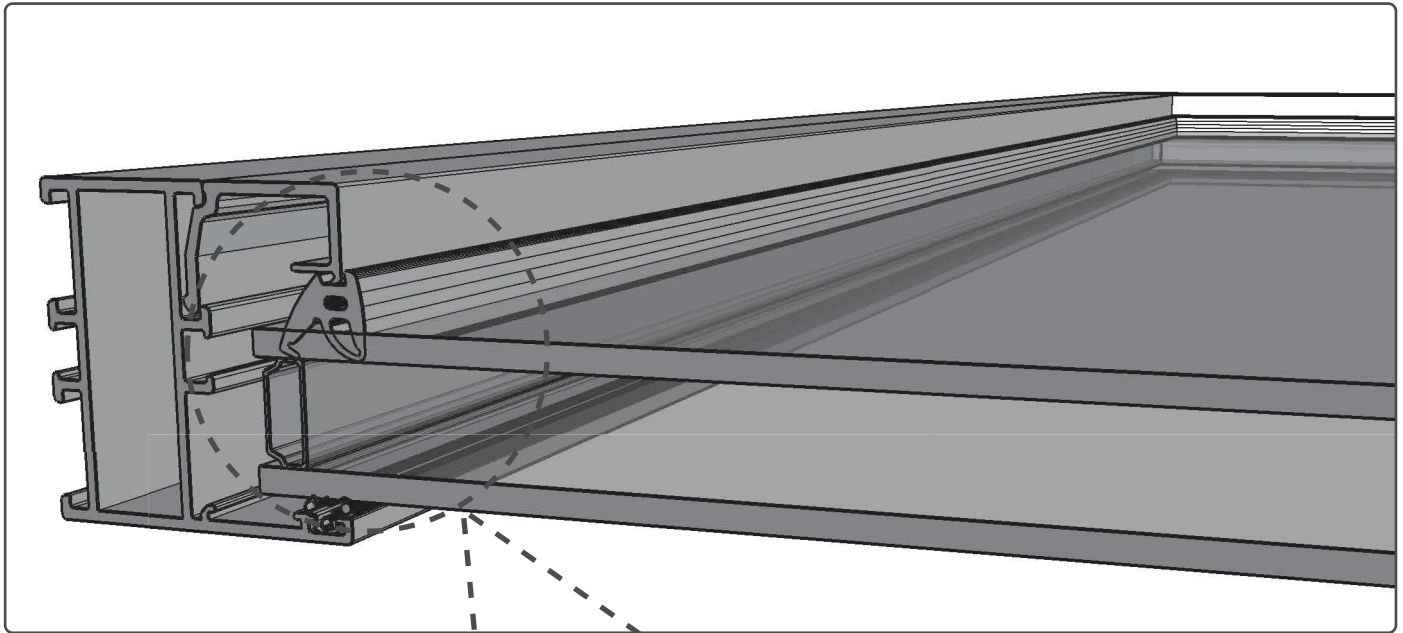
1

Plan:  
Positions: A51-4-7016

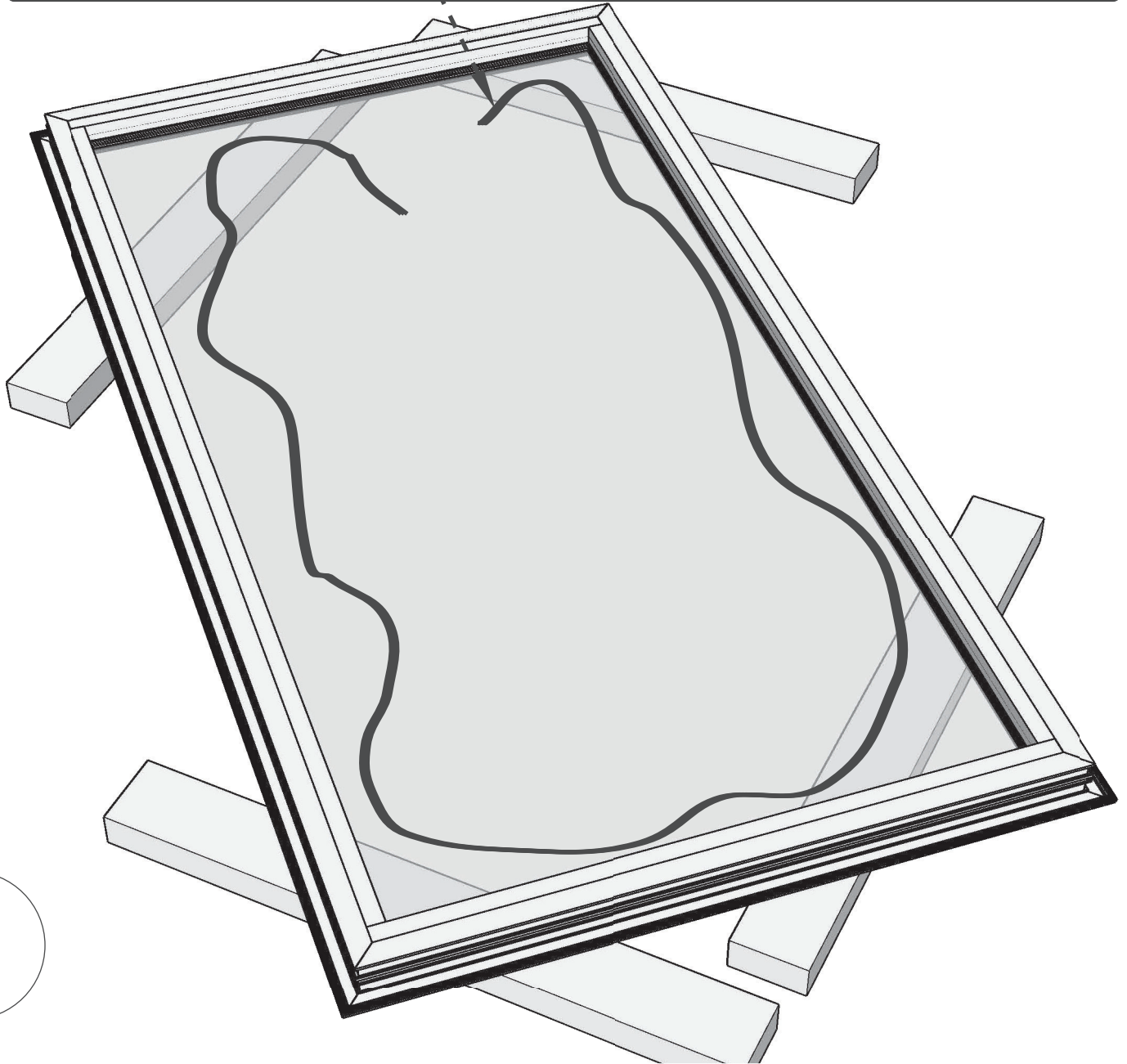
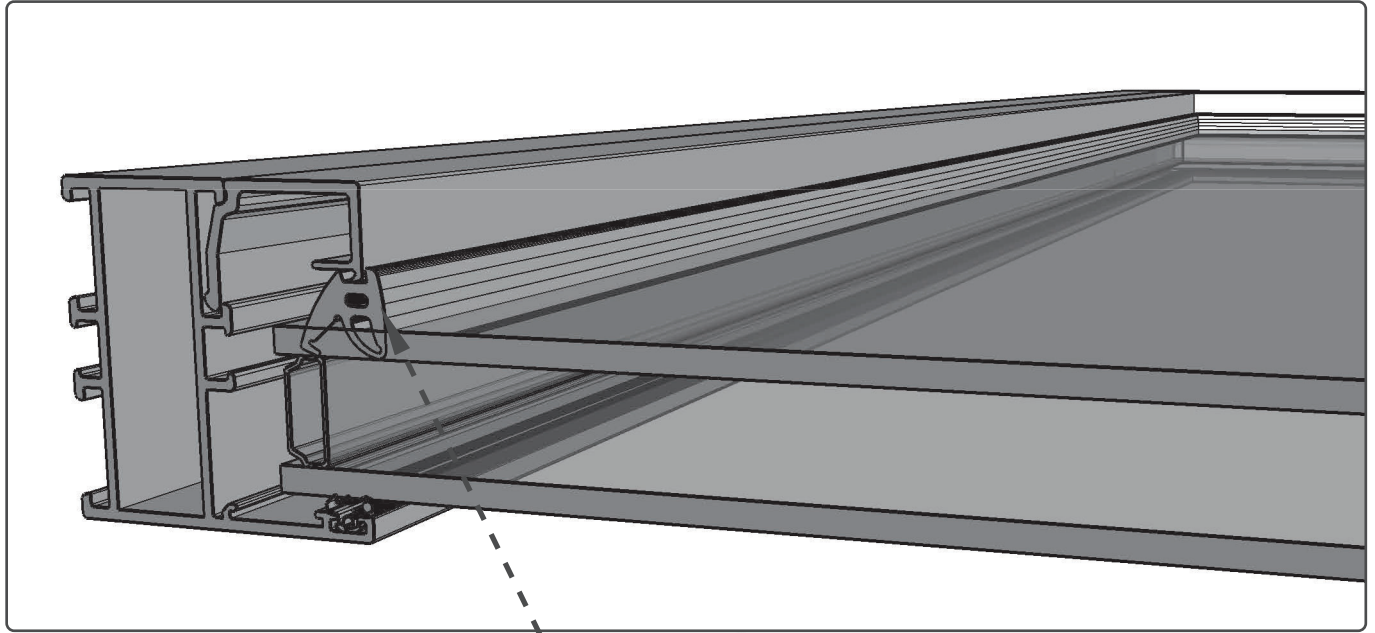


2

Plan:  
Positions: A51-4-7016

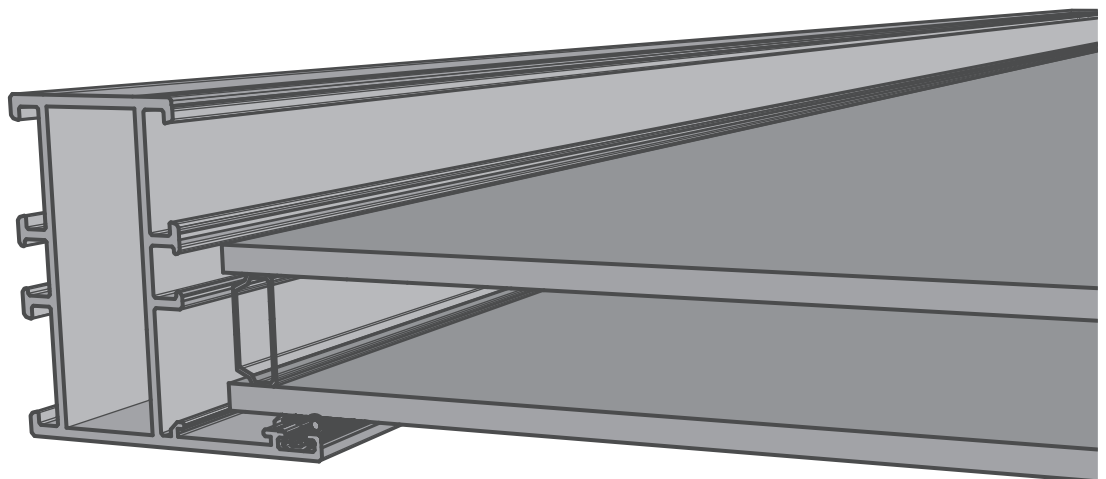
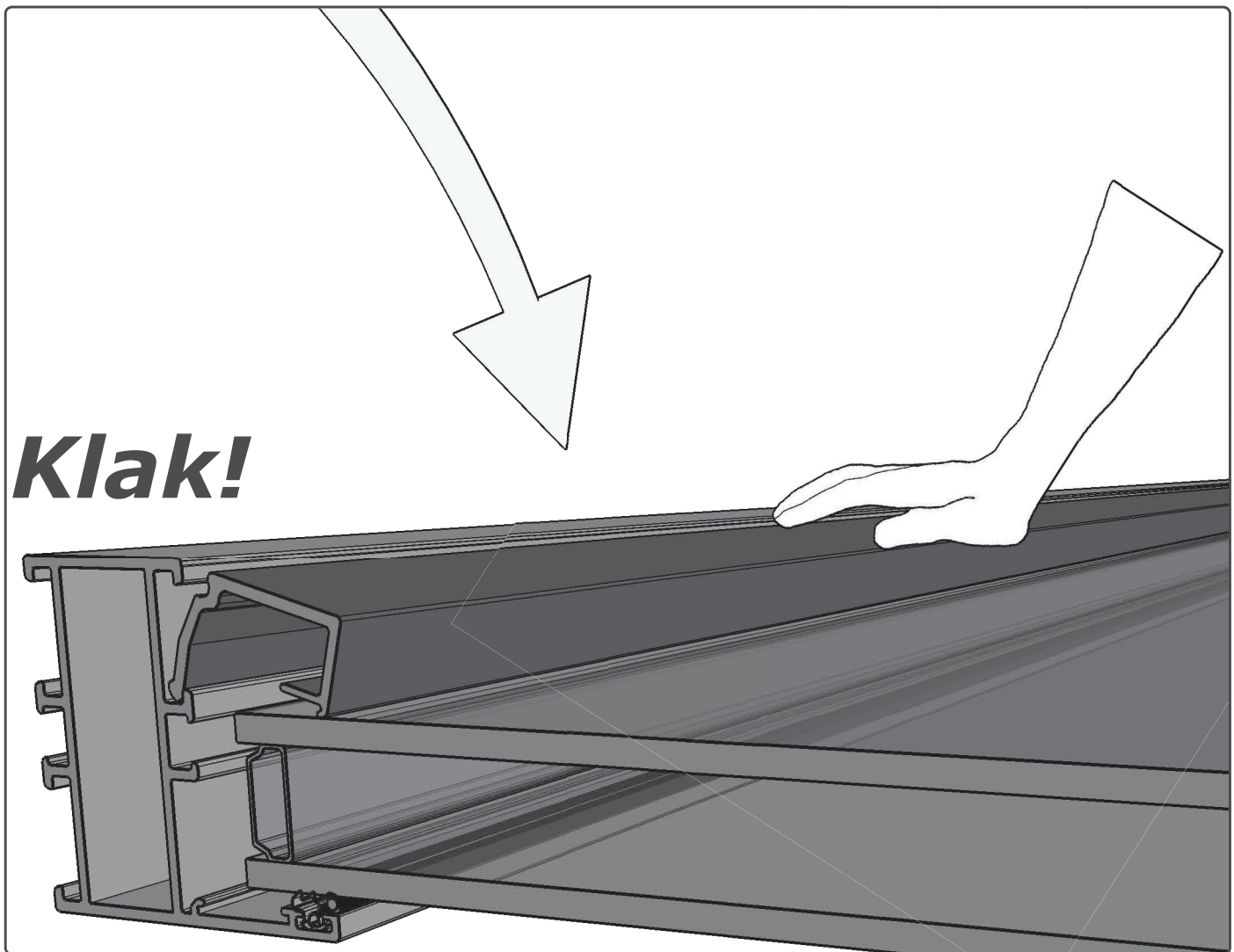


Plan:  
Positions: A51-4-7016



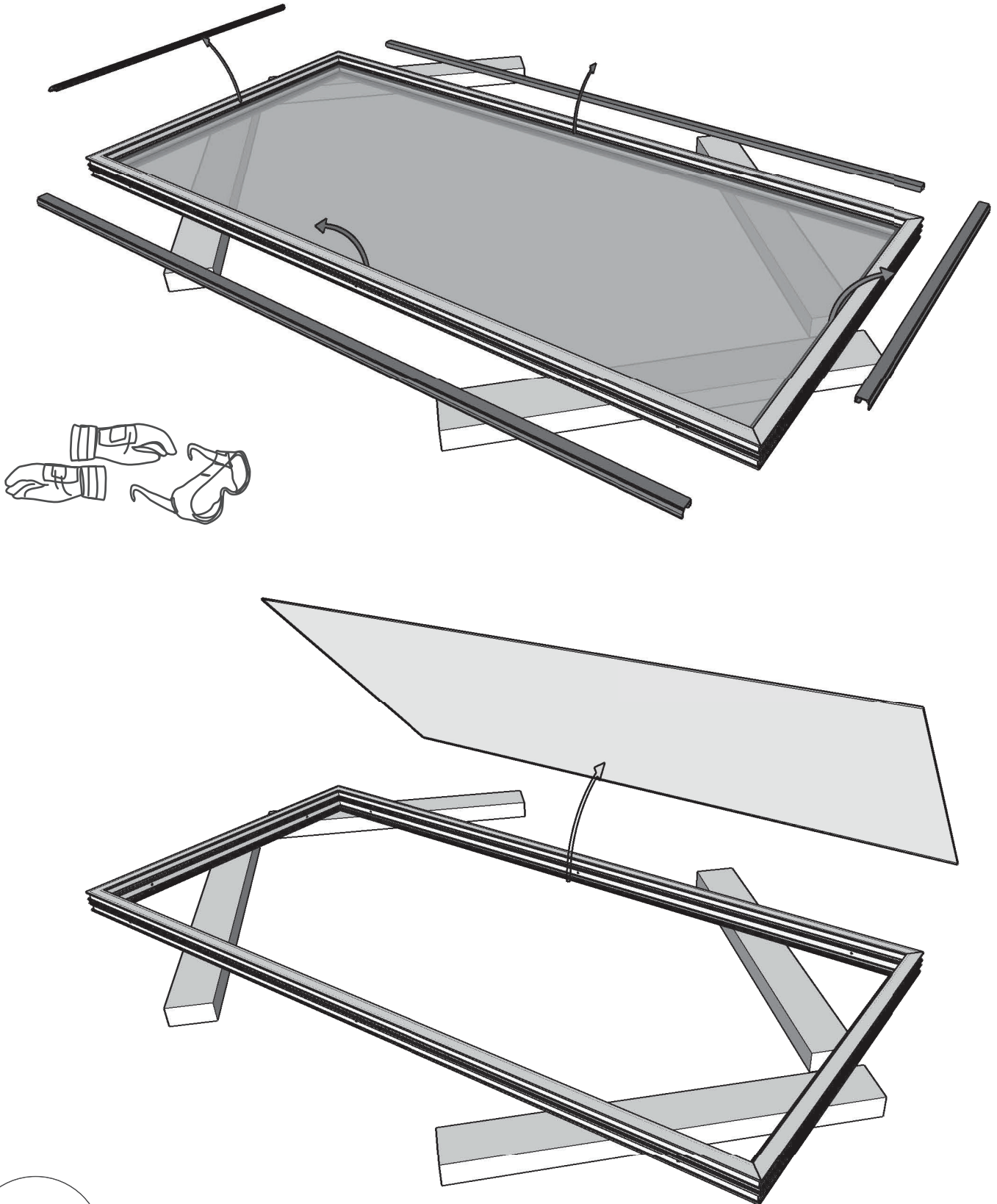
4

Plan:  
Positions: A51-4-7016



5

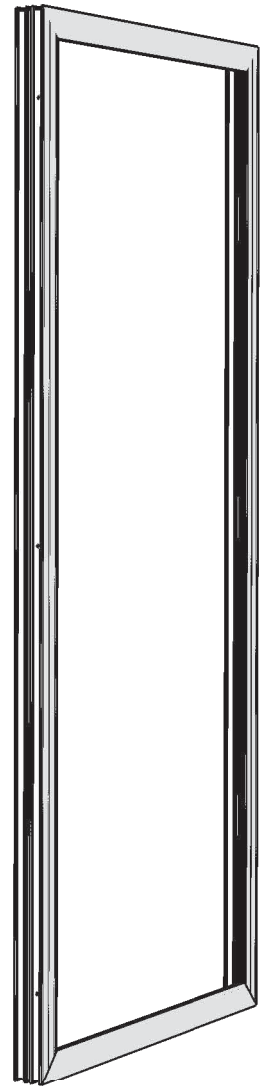
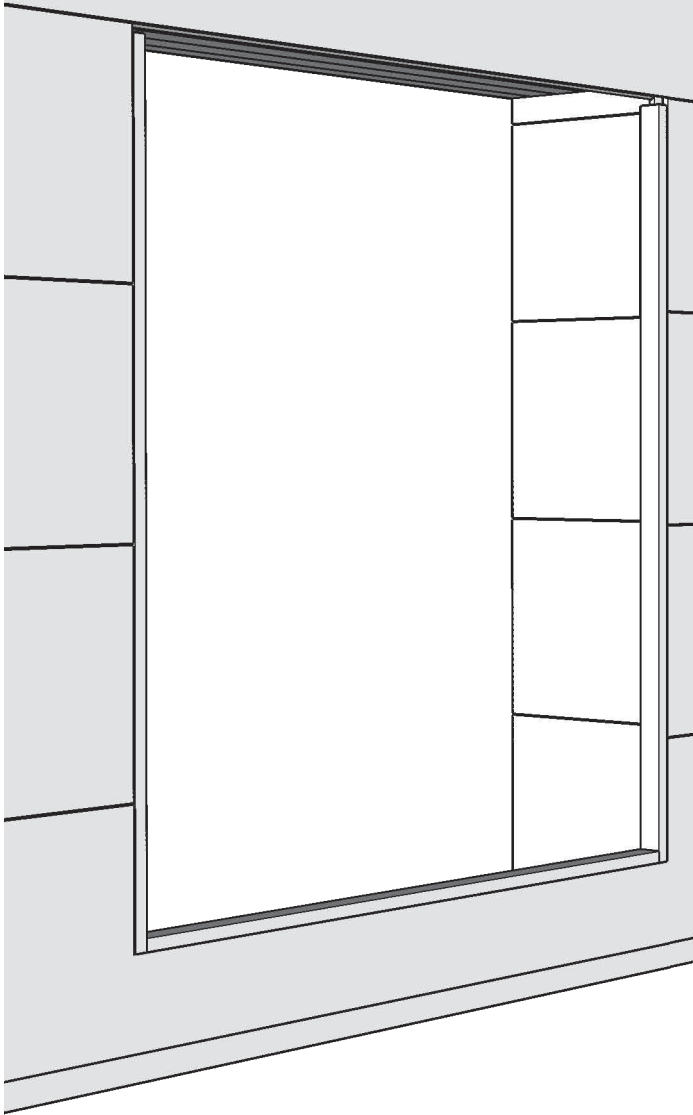
Plan:  
Positions: A51-4-7016



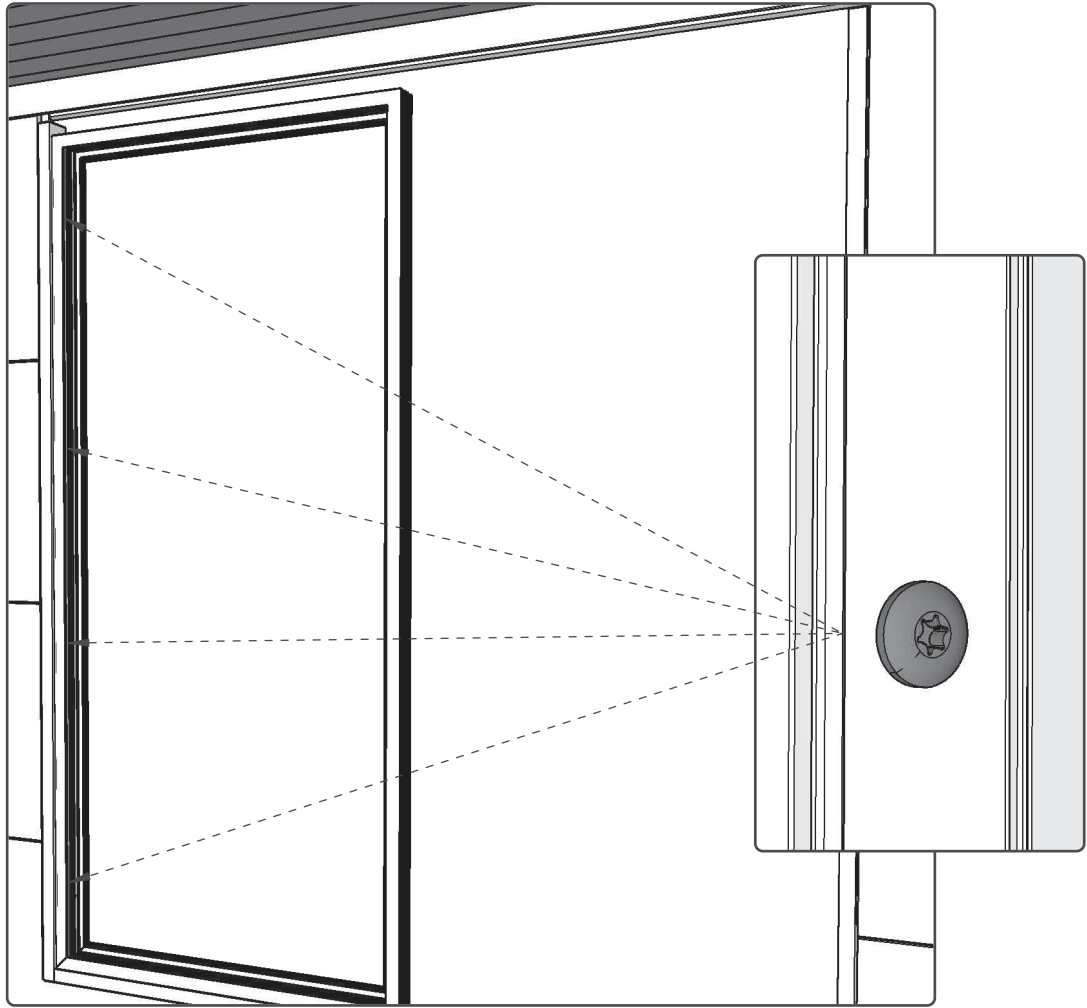
6



Plan:  
Positions:

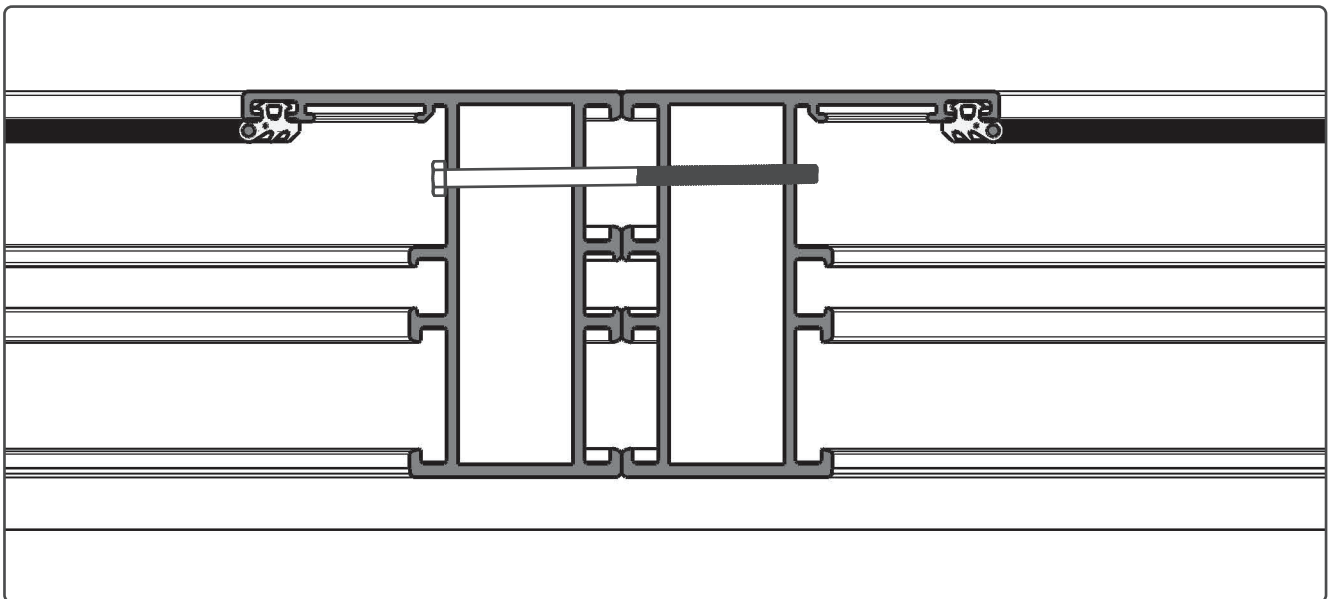
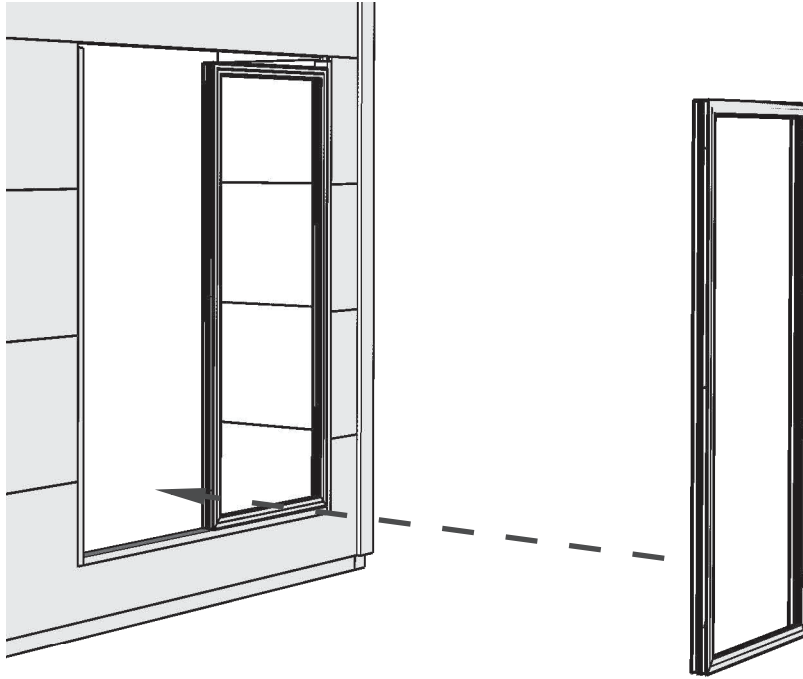


Plan:  
Positions:

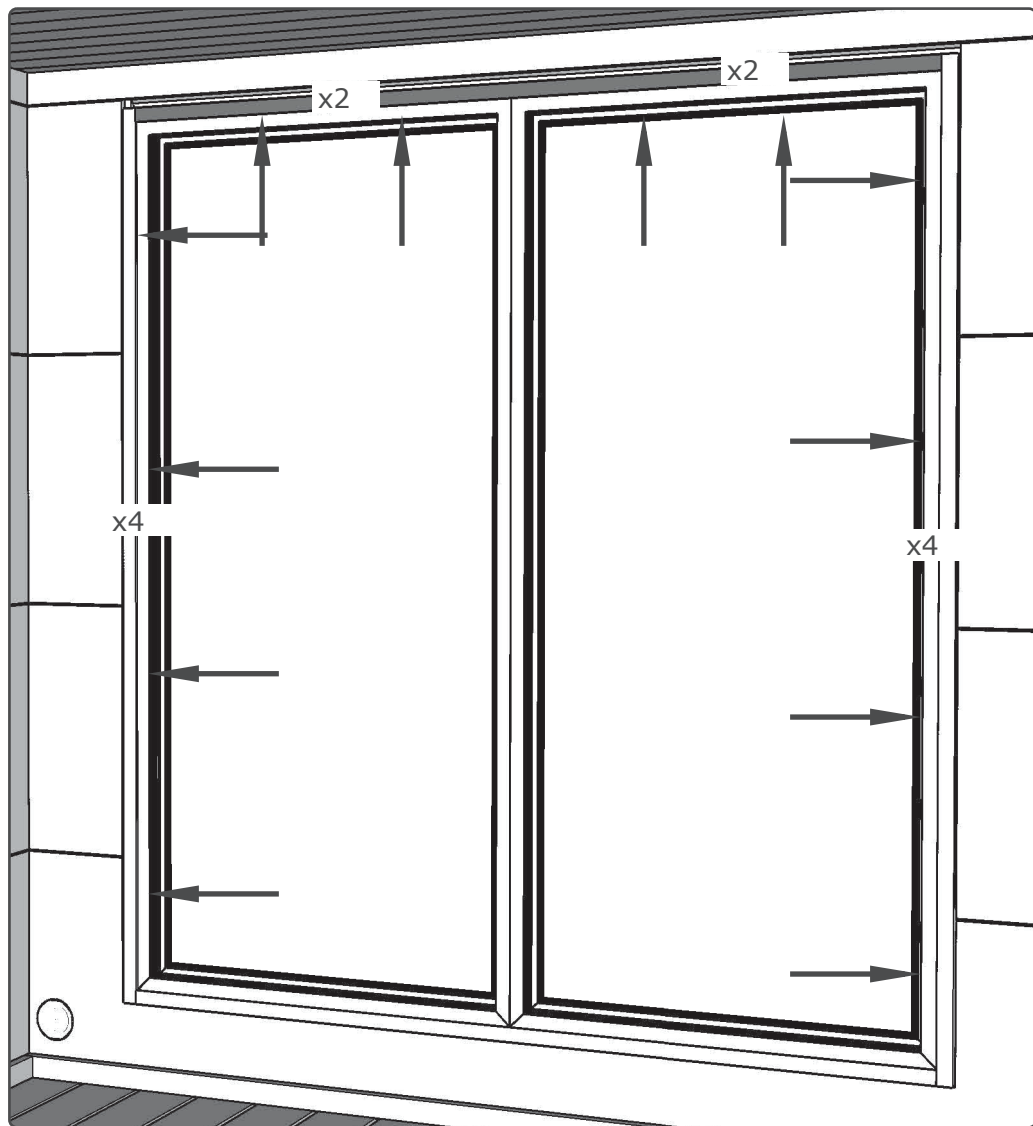


Plan:  
Positions:

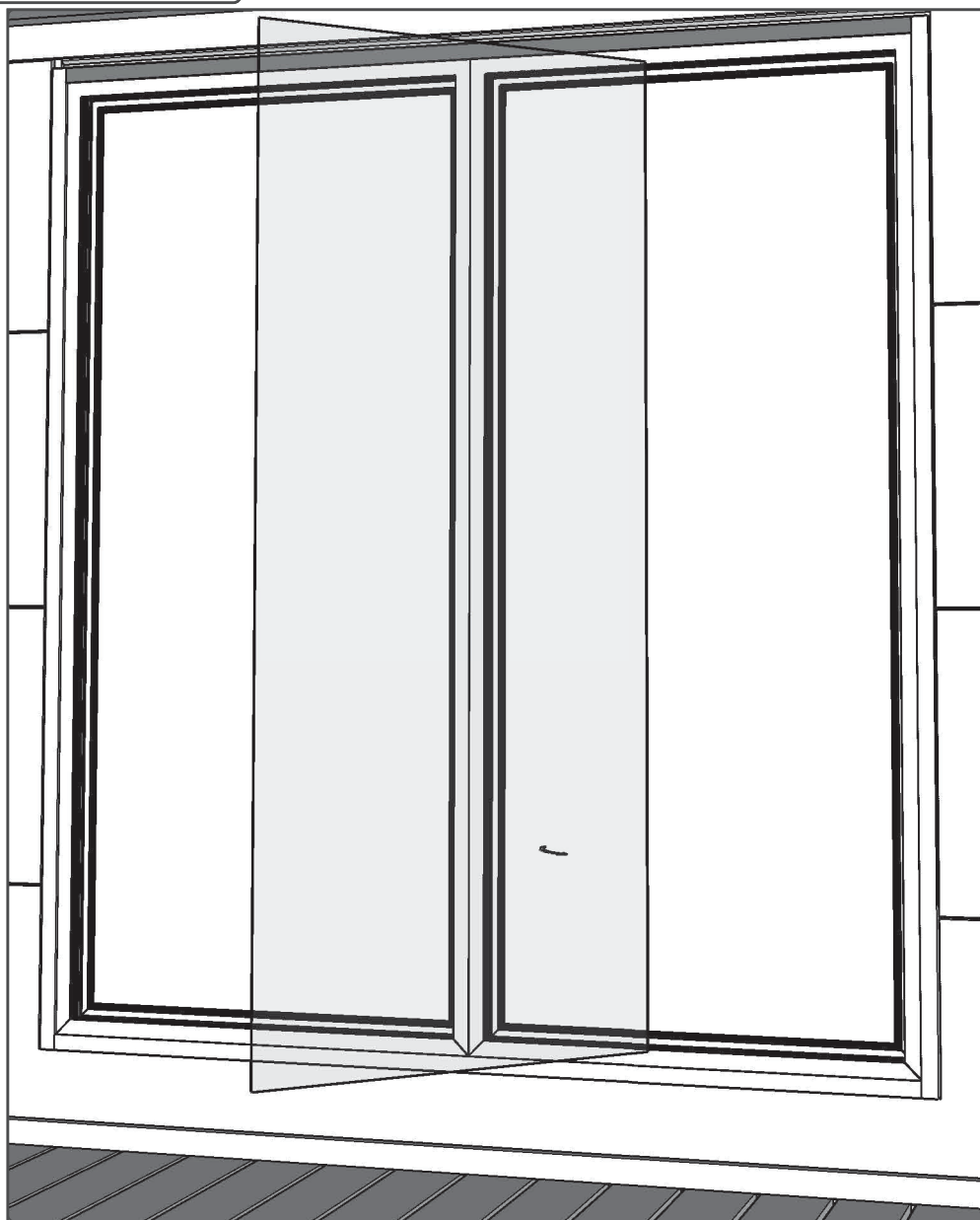
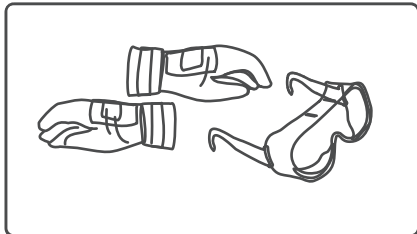
4 X (QPOSP4x50Zn)



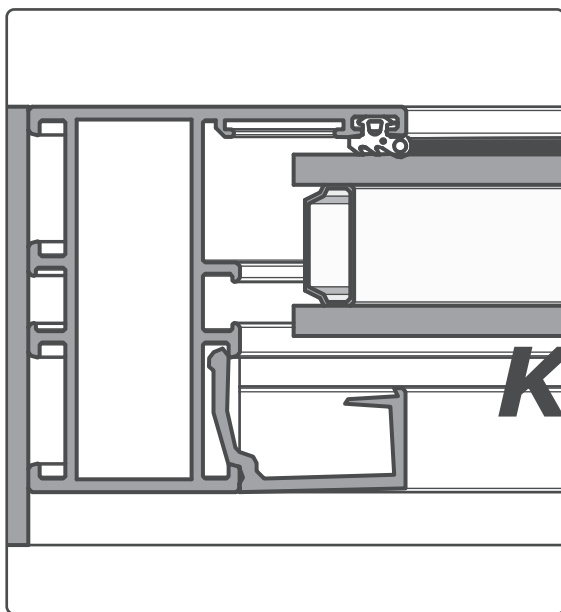
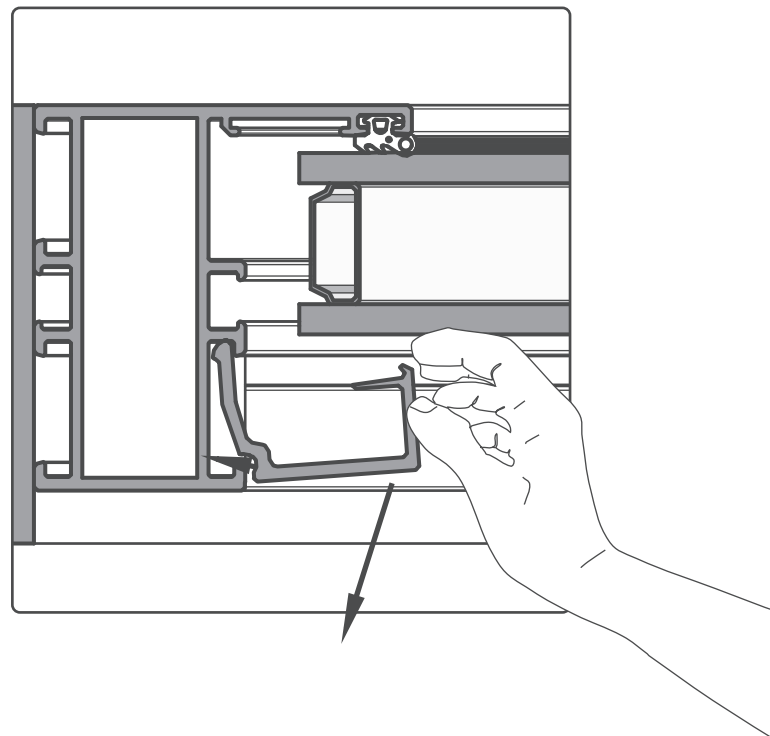
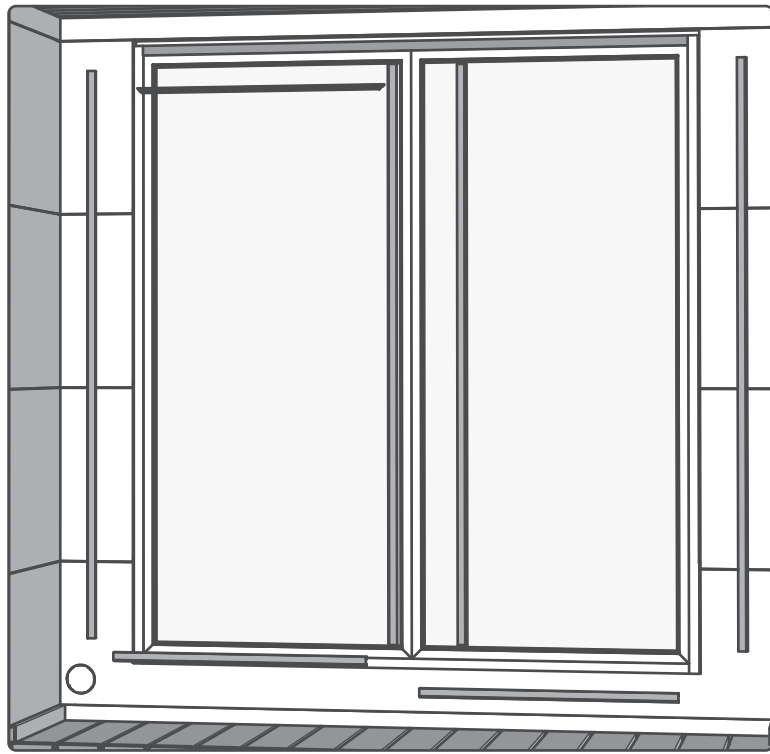
Plan:  
Positions:



Plan:  
Positions:

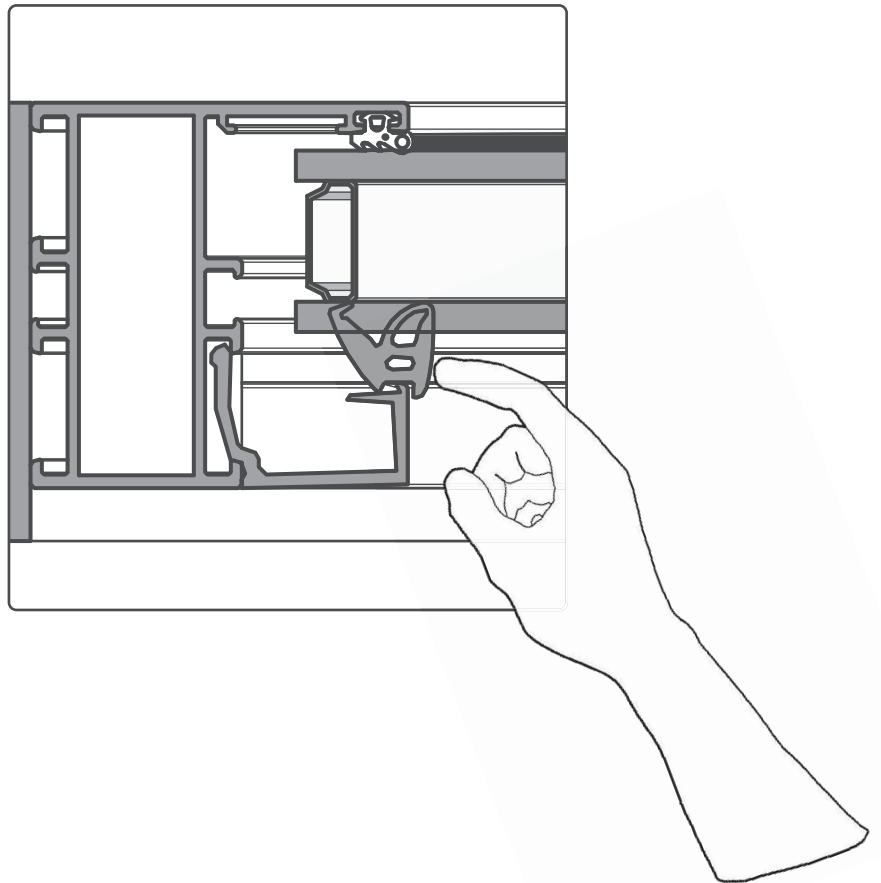
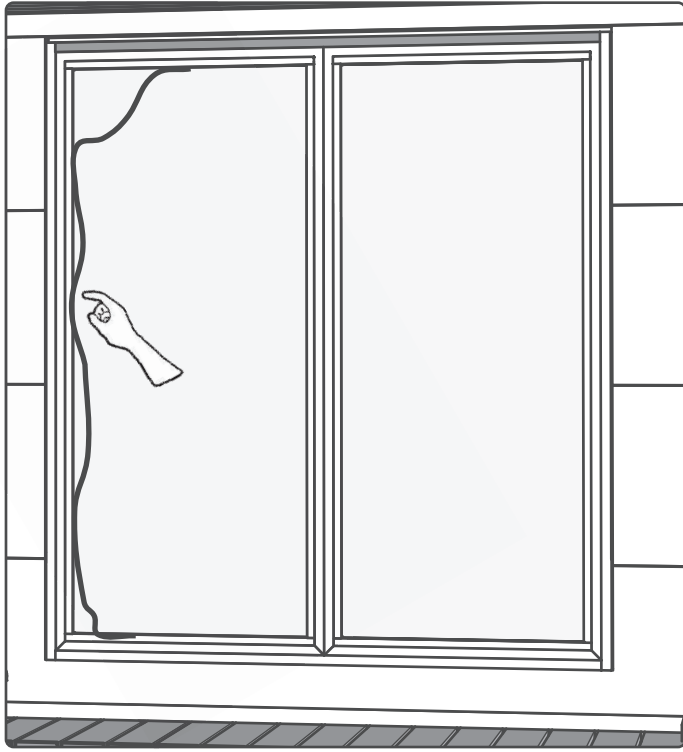


Plan:  
Positions:



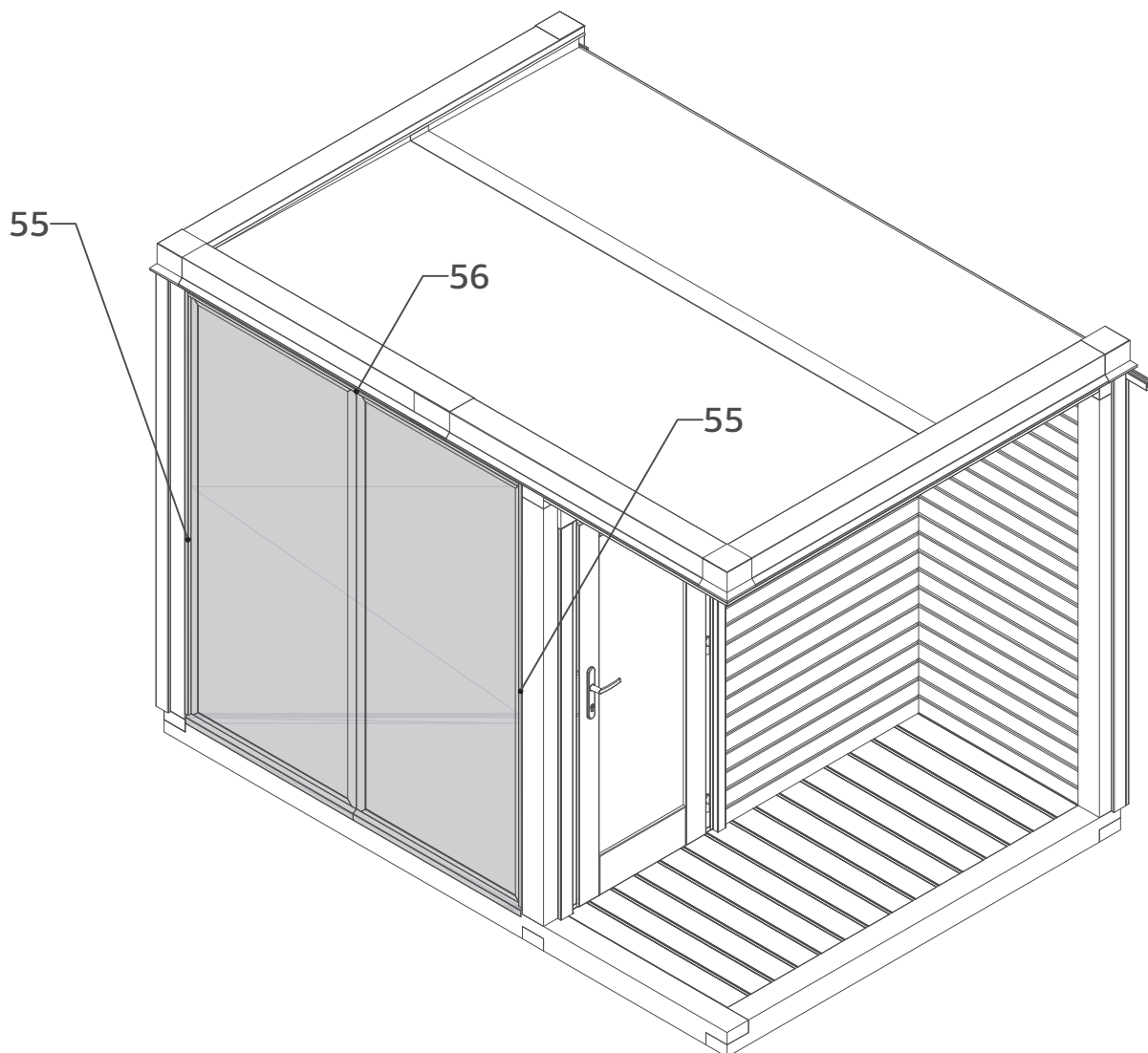
***Klak!***

Plan:  
Positions:



Pos.

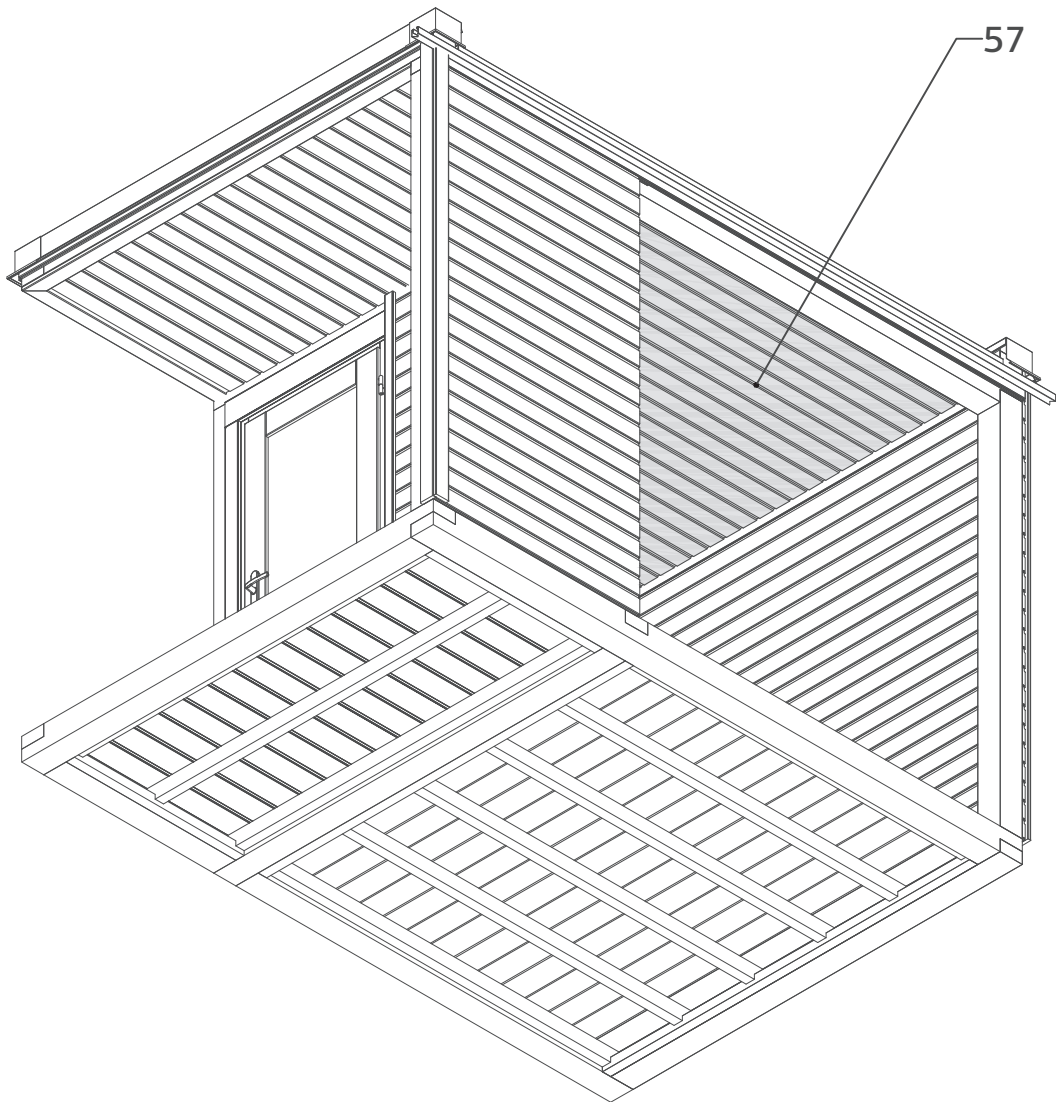
- 55 2x
- 56 1x
- QNA2\_2x50Zn 15x





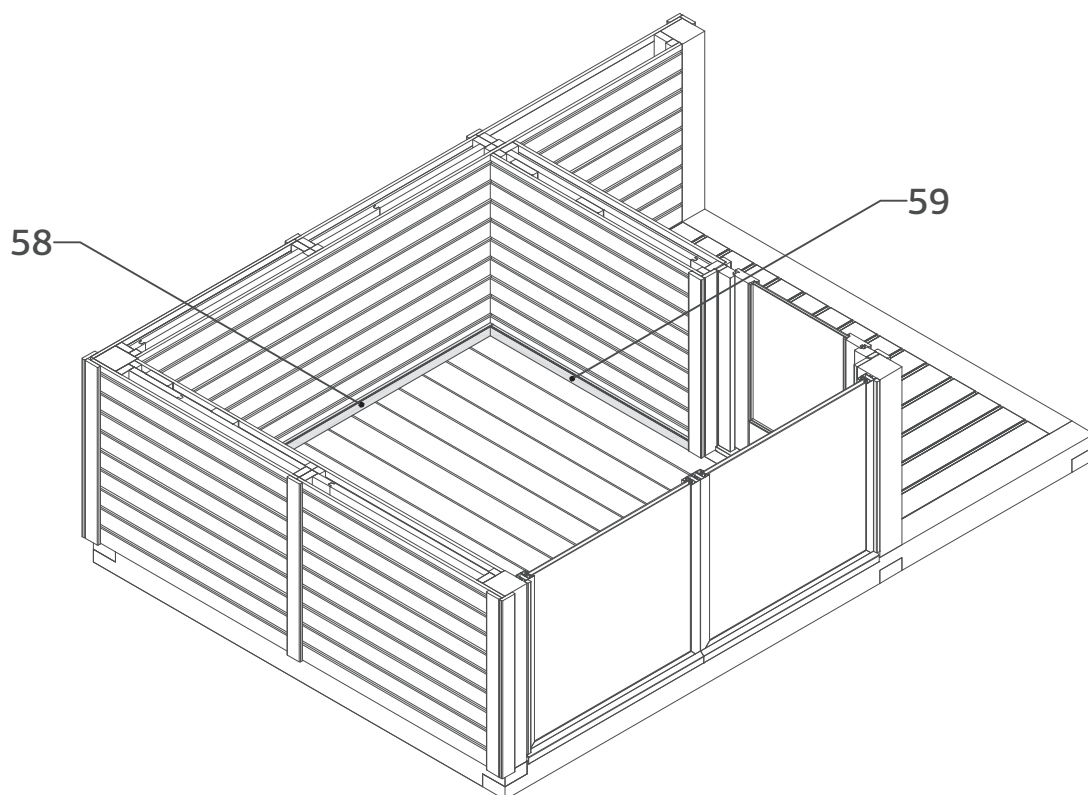
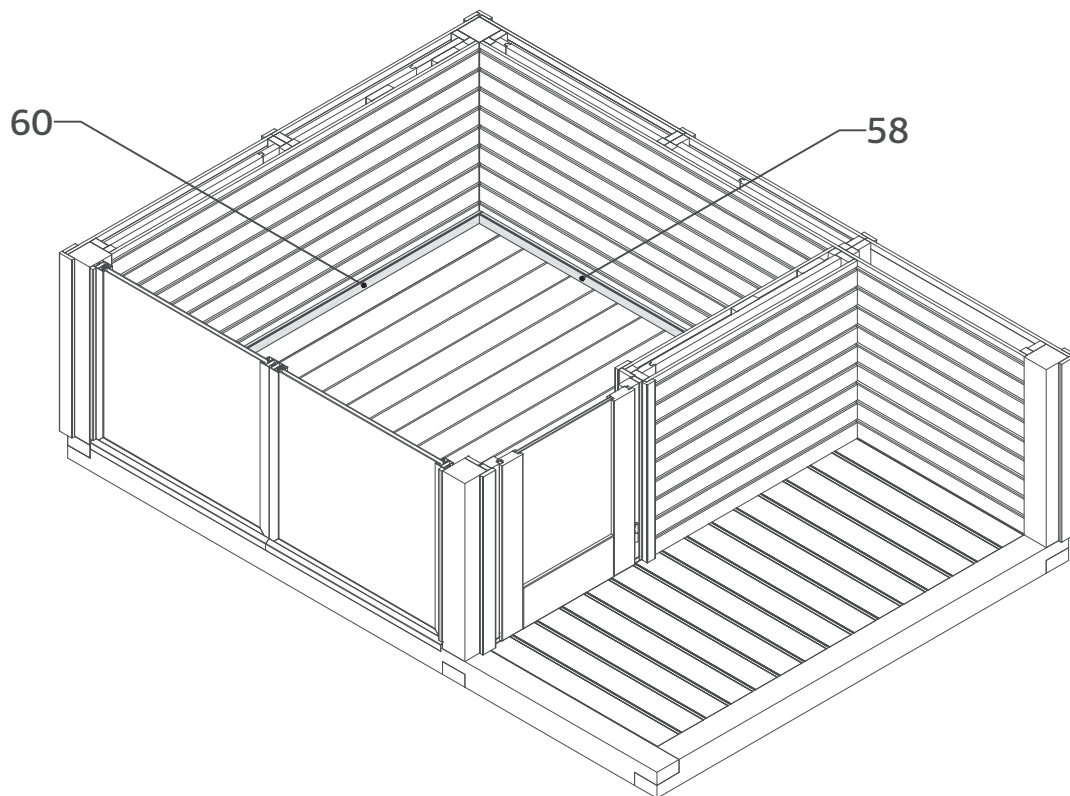
Pos.

- 57 23x
- QNA2\_2x50Zn 15x



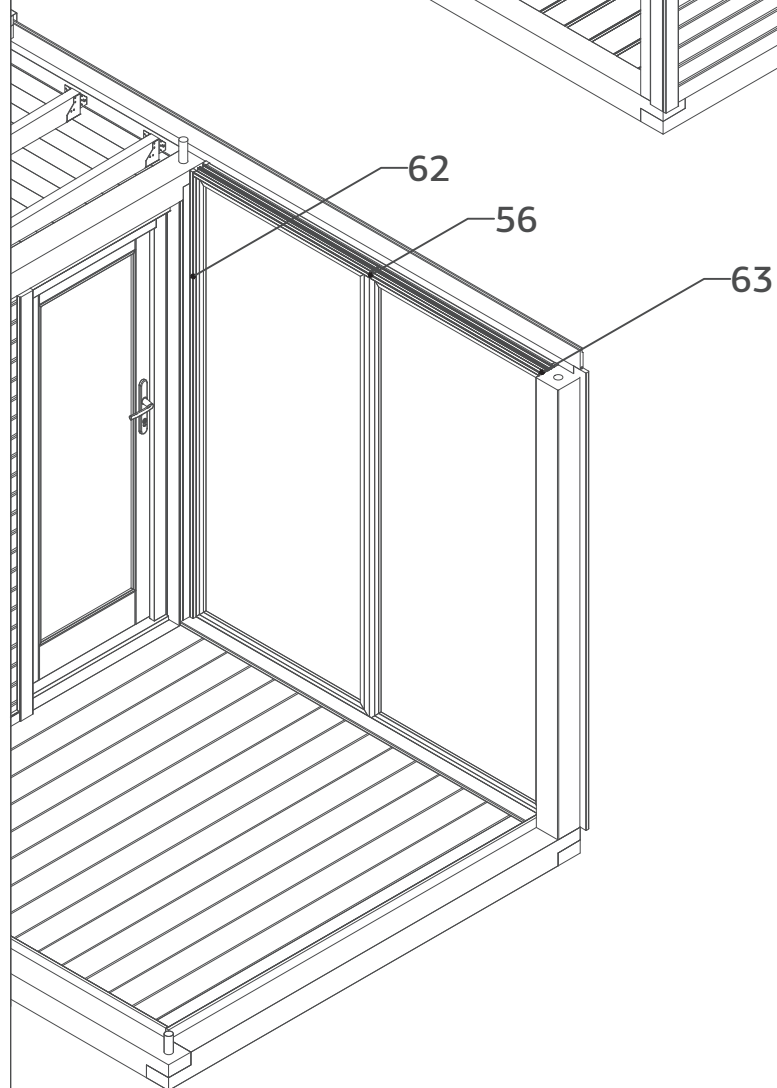
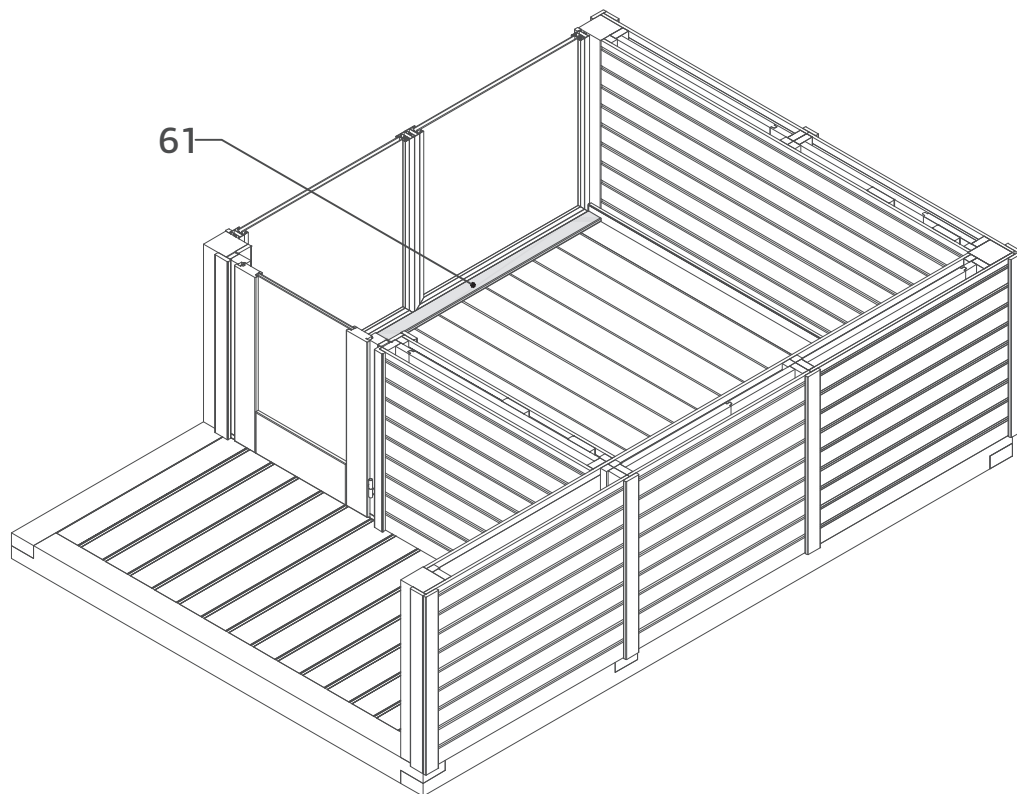
Pos.

- 58 1x
- 59 1x
- 60 1x
- QNA2\_2x50Zn 15x



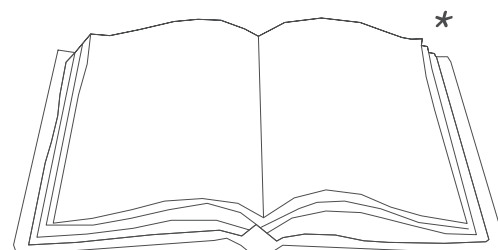
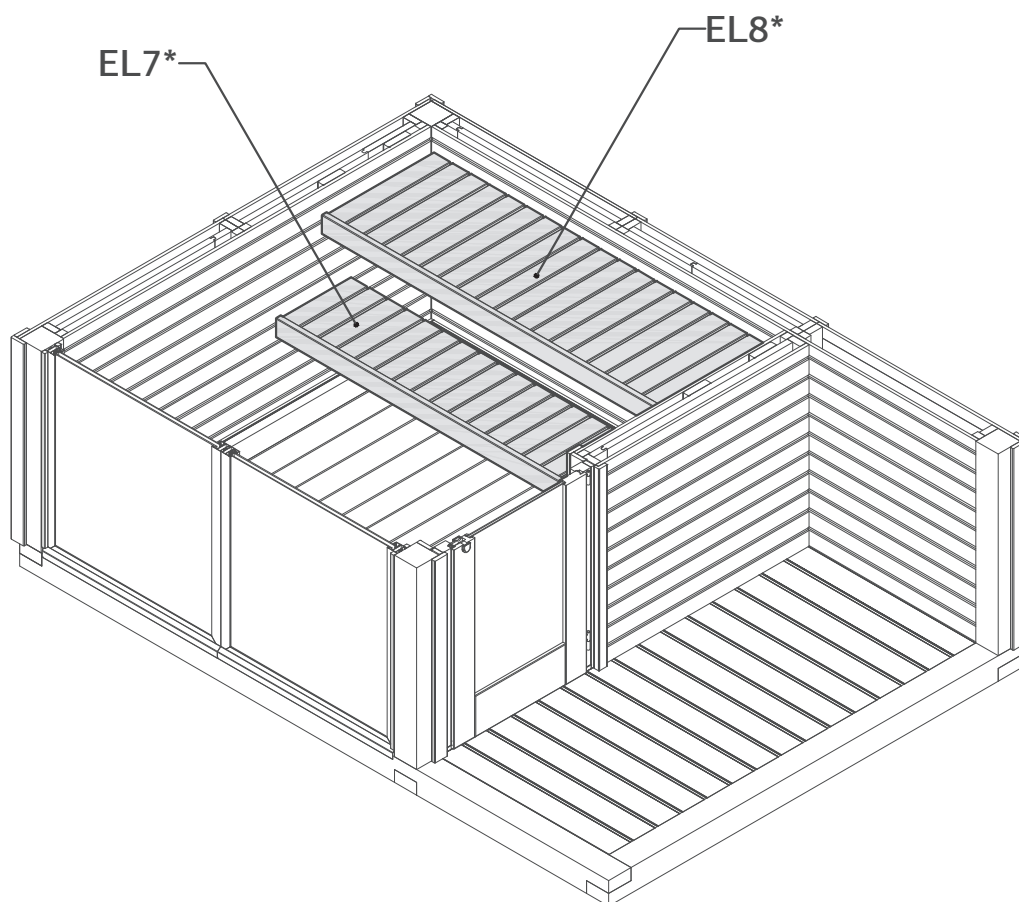
Pos.

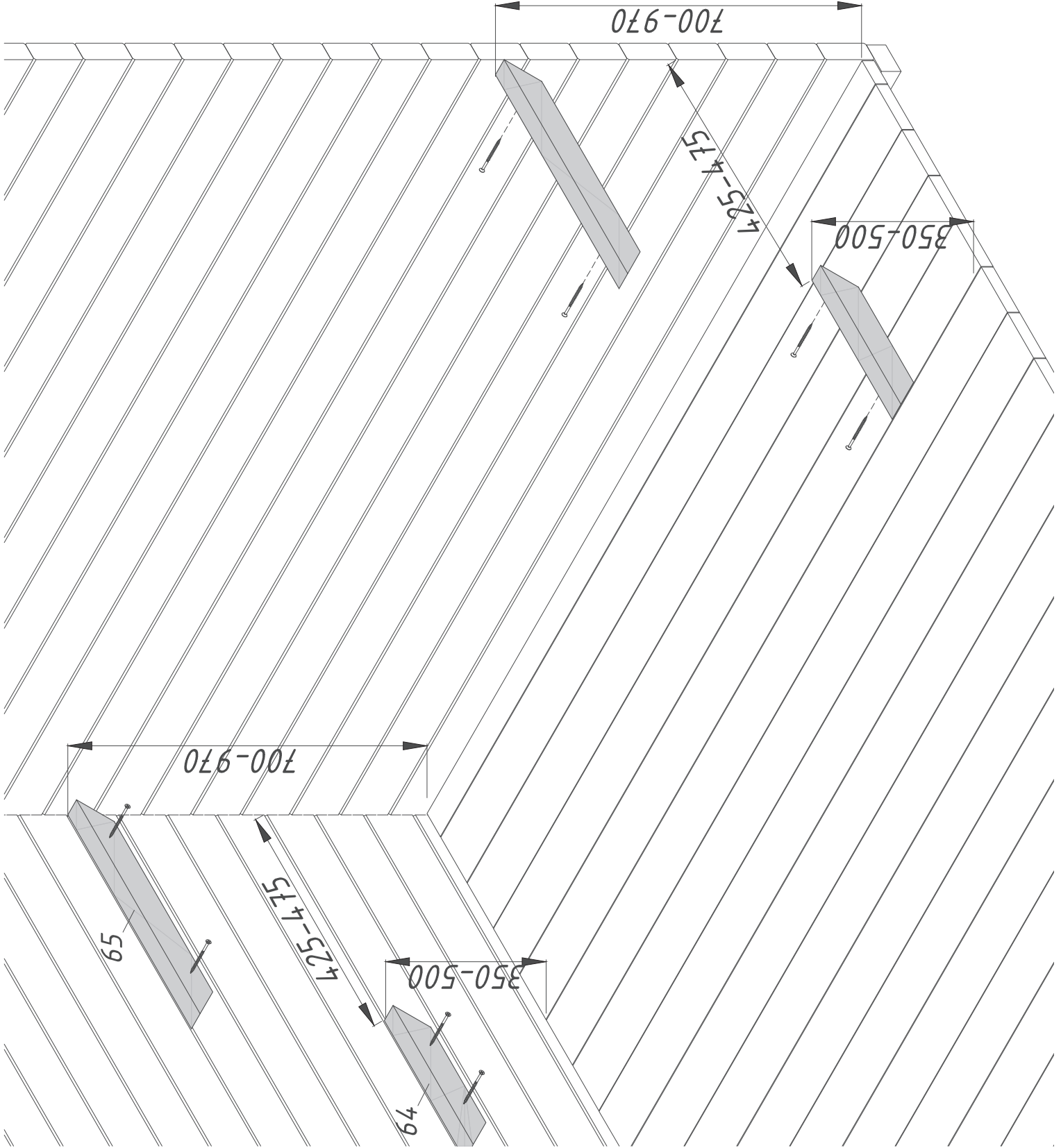
- 56 1x
- 62 1x
- 63 1x
- QNA2\_2x50Zn 25x

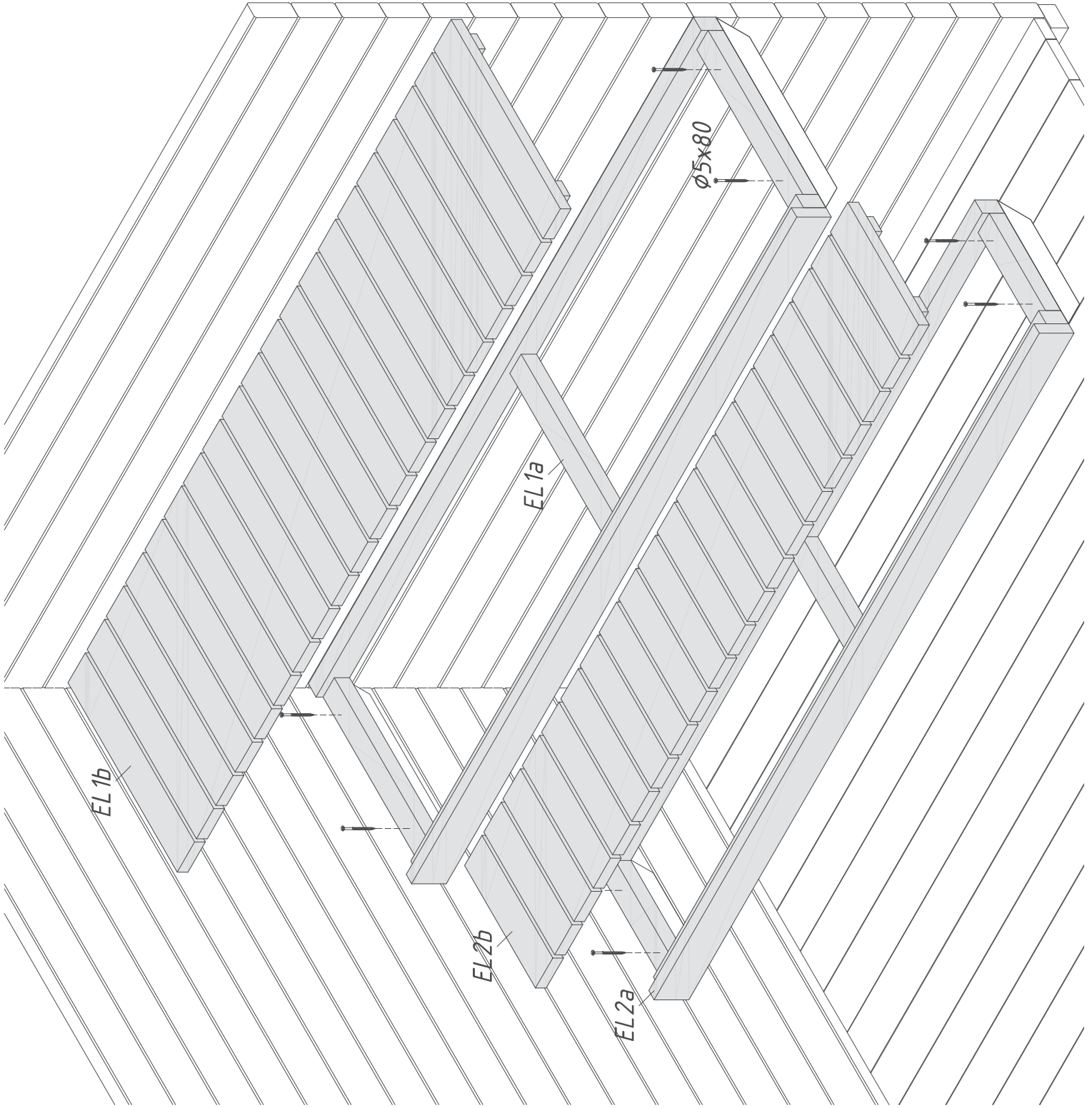


Pos.

- EL7 1x
- EL8 1x
- 64 2x
- 65 2x
- QKRPP5x90ZnTX 8x

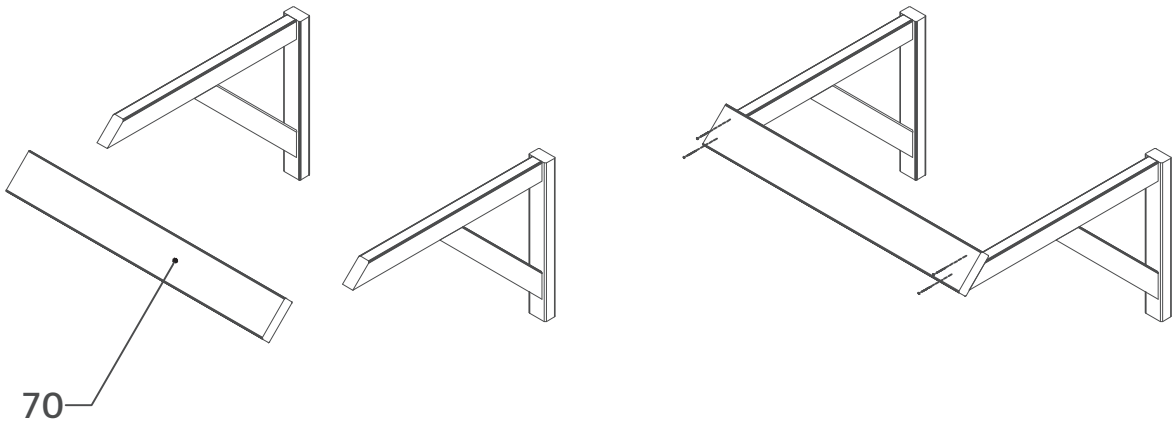
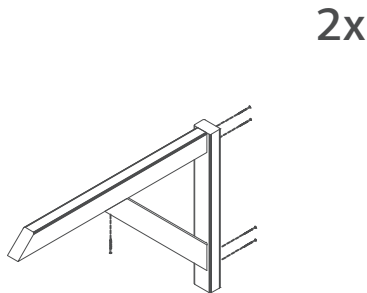
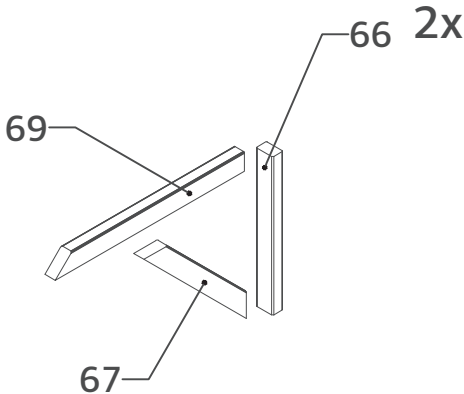






Pos.

- 66 2x
- 67 2x
- 69 2x
- 70 1x
- QKRPP4x60Zn 14x



- QKRPP4x60Zn 6x

