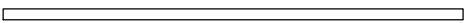






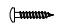

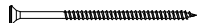
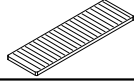
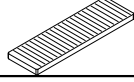

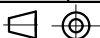
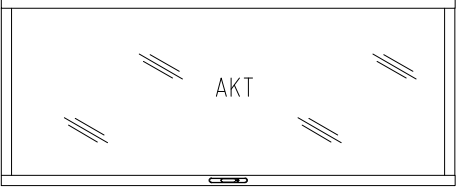
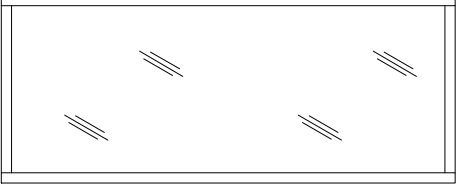
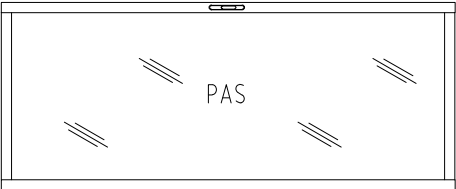
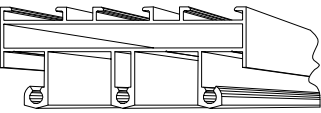
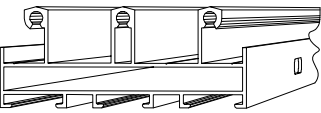

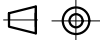
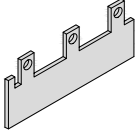
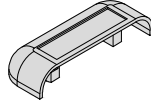
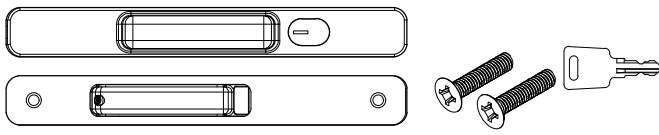
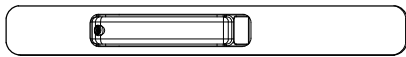
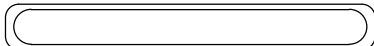
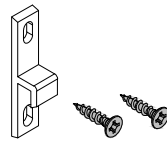
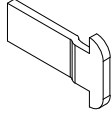

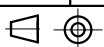
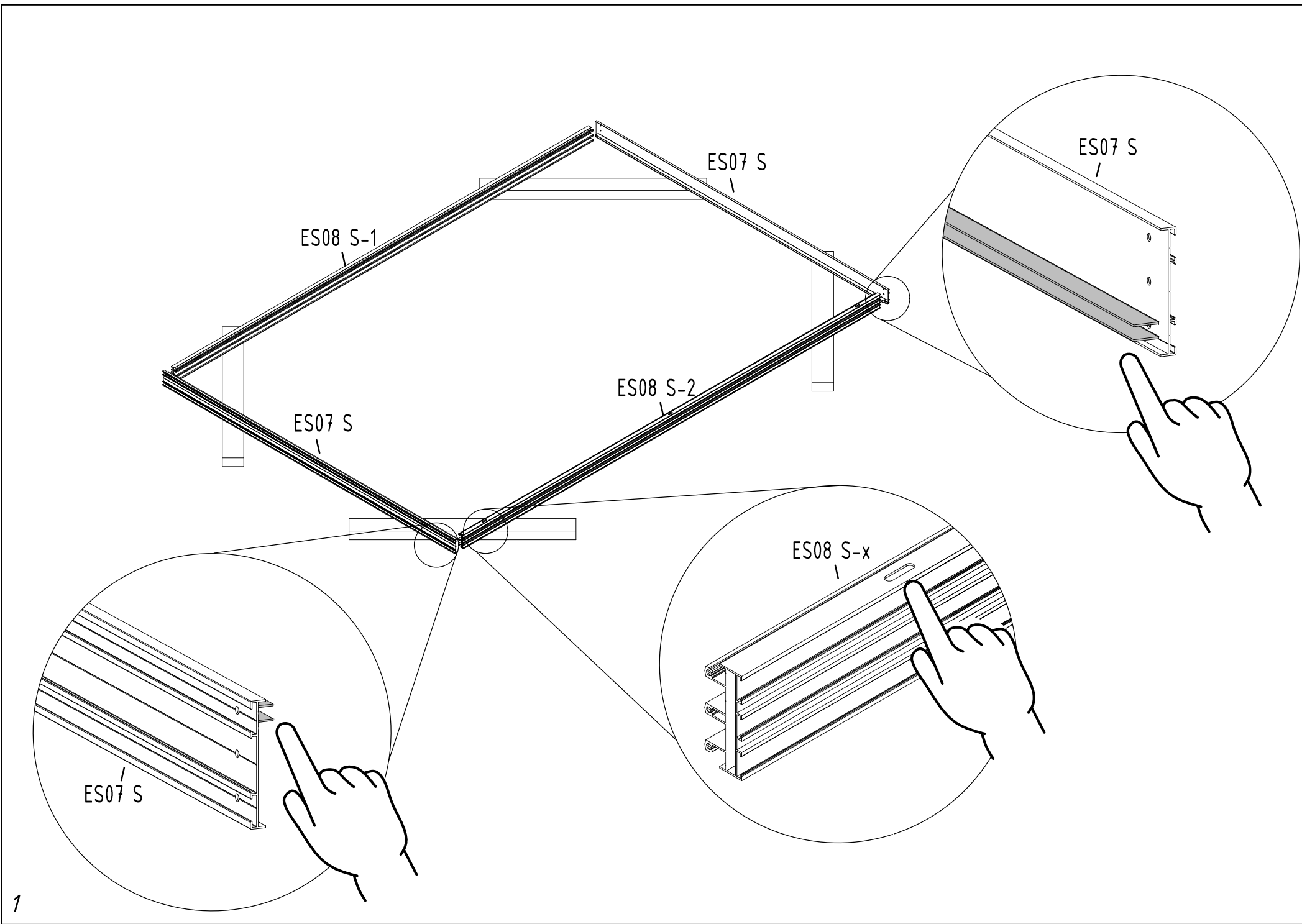
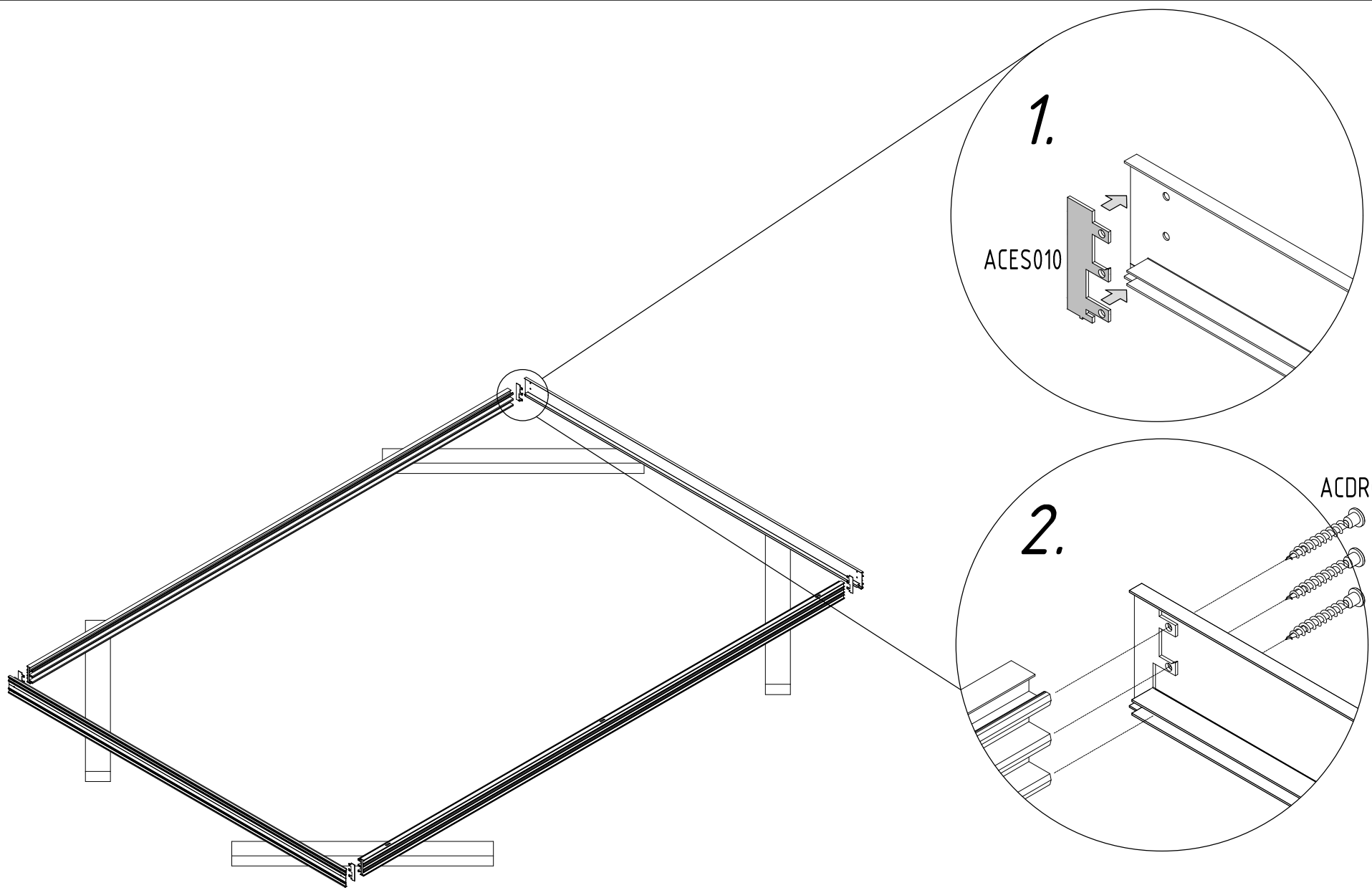


Pos	SPECIFICATION-STÜCKLISTE-NOMENCLATURE-ELEMENTI-ESPECIFICACIÓN MLU82-2P2-7016	Pcs	Profile (mm)	Length (mm)
AR1	Foundation- Fundament- Fondation- Fondazione- Vigas de cimentación 	1	45x70	2960
Sla2	Slat- Leiste- Baguette- Listello- Listón 	2	70x19	2817
Sla1	Slat- Leiste- Baguette- Listello- Listón 	4	45x19	2025
SP2	Support brace- Stützleiste- Baguette de support- Listello di supporto- Listón de soporte 	1	28x84	2791
SP1	Support brace- Stützleiste- Baguette de support- Listello di supporto- Listón de soporte 	2	28x84	1908
SP3	Support brace- Stützleiste- Baguette de support- Listello di supporto- Listón de soporte 	1	19x85	2791
QKRPP3 _5x35Zn	Screw- Schraube- Vis- Vite- Tornillo- 3.5x35mm 	29		
QKRYP4 _5x25Zn	Screw- Schraube- Vis- Vite- Tornillo- 4.5x25mm ZnY 	34		
QKRPP4 _5x50Zn	Screw- Schraube- Vis- Vite- Tornillo- 4.5x50mm 	47		
QKRPP6 x120Zn	Screw- Schraube- Vis- Vite- Tornillo- 6x120mm 	6		
QPL20x 100x2PET		8		
QPL20x 100x3PET		8		
QG-2	Hole plug- Abdeckkappe- Cache-vis- Tappi in legno- Embellecedor 	8		
	Object name			Page 1/3

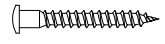
Pos	SPECIFICATION-STÜCKLISTE-NOMENCLATURE-ELEMENTI-ESPECIFICACIÓN MLU82-2P2-7016	Pcs	Profile (mm)	Length (mm)
A-1		1	930x21	1860
B-1		1	930x21	1860
C-1		1	930x21	1860
ES08 S-1		1	79x32	2720
ES08 S-2		1	79x32	2720
ES07 S		2	82x22	1908
	Object name		Page	2/3

Pos	SPECIFICATION-STÜCKLISTE-NOMENCLATURE-ELEMENTI-ESPECIFICACIÓN MLU82-2P2-7016	Pcs	Profile (mm)	Length (mm)
QLY-ACES010		4		
QLY-ACSL024Z		3		
QLY-ACES034Z		1		
QLY-ACES020Z		1		
QLY-ACES033		1		
QLY-ACES032		2		
QLY-ACES031		2		
QLY-ACDR052		12		
	Object name		Page	3/3

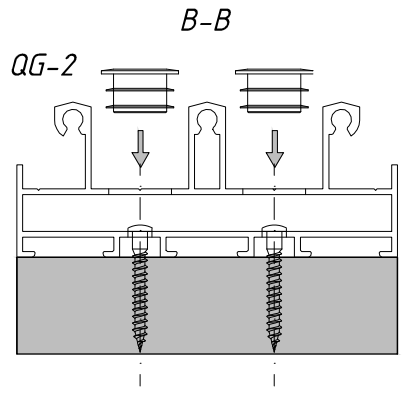
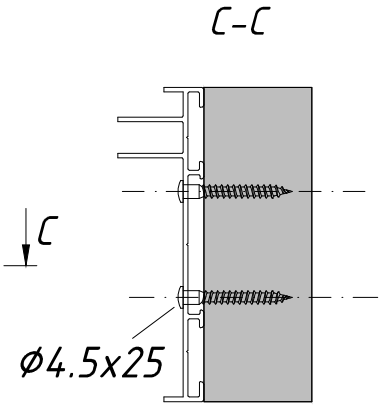
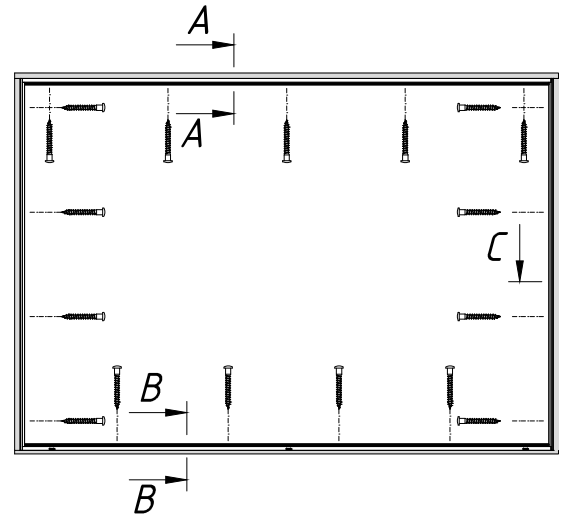
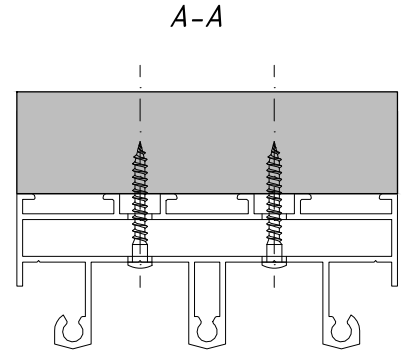
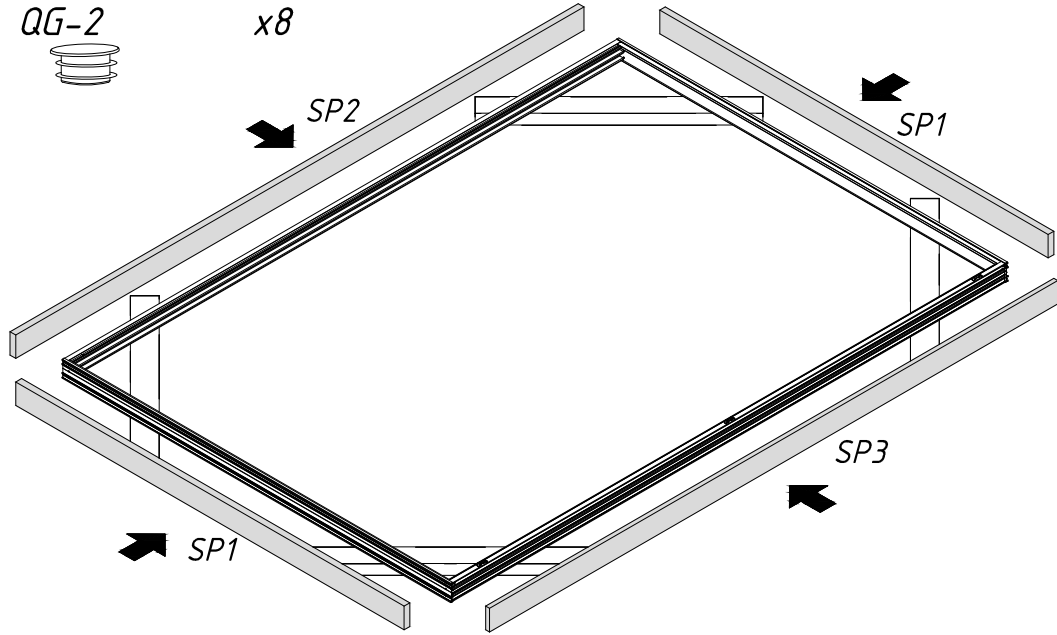


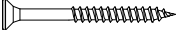


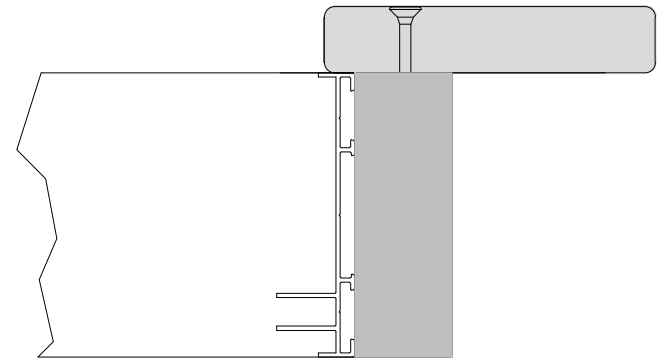
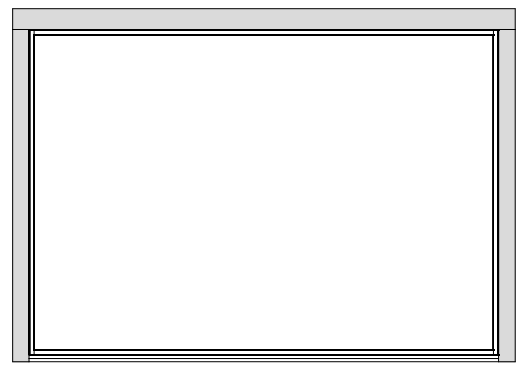
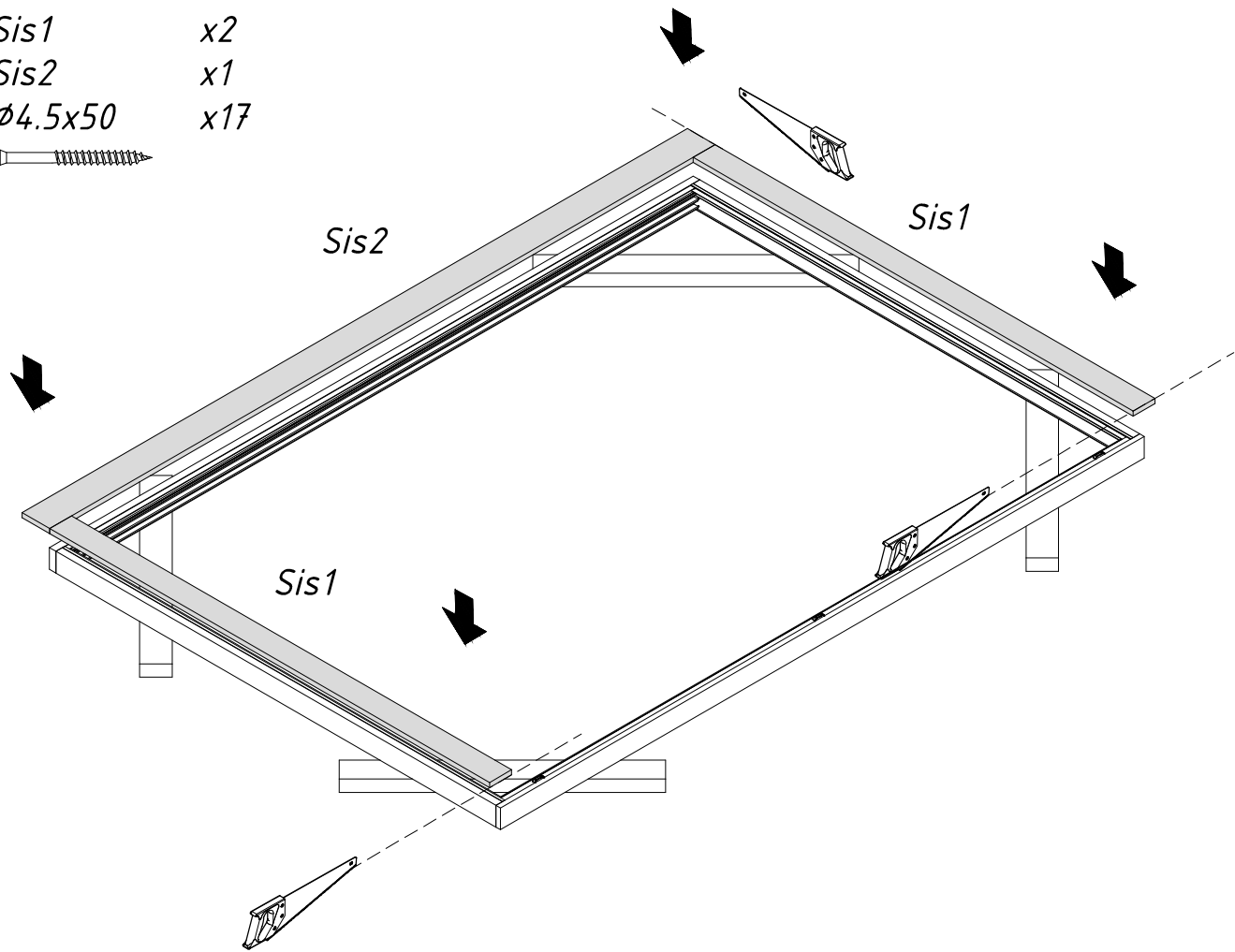
- SP1 x2
- SP2 x1
- SP3 x1
- Ø4.5x25 x34



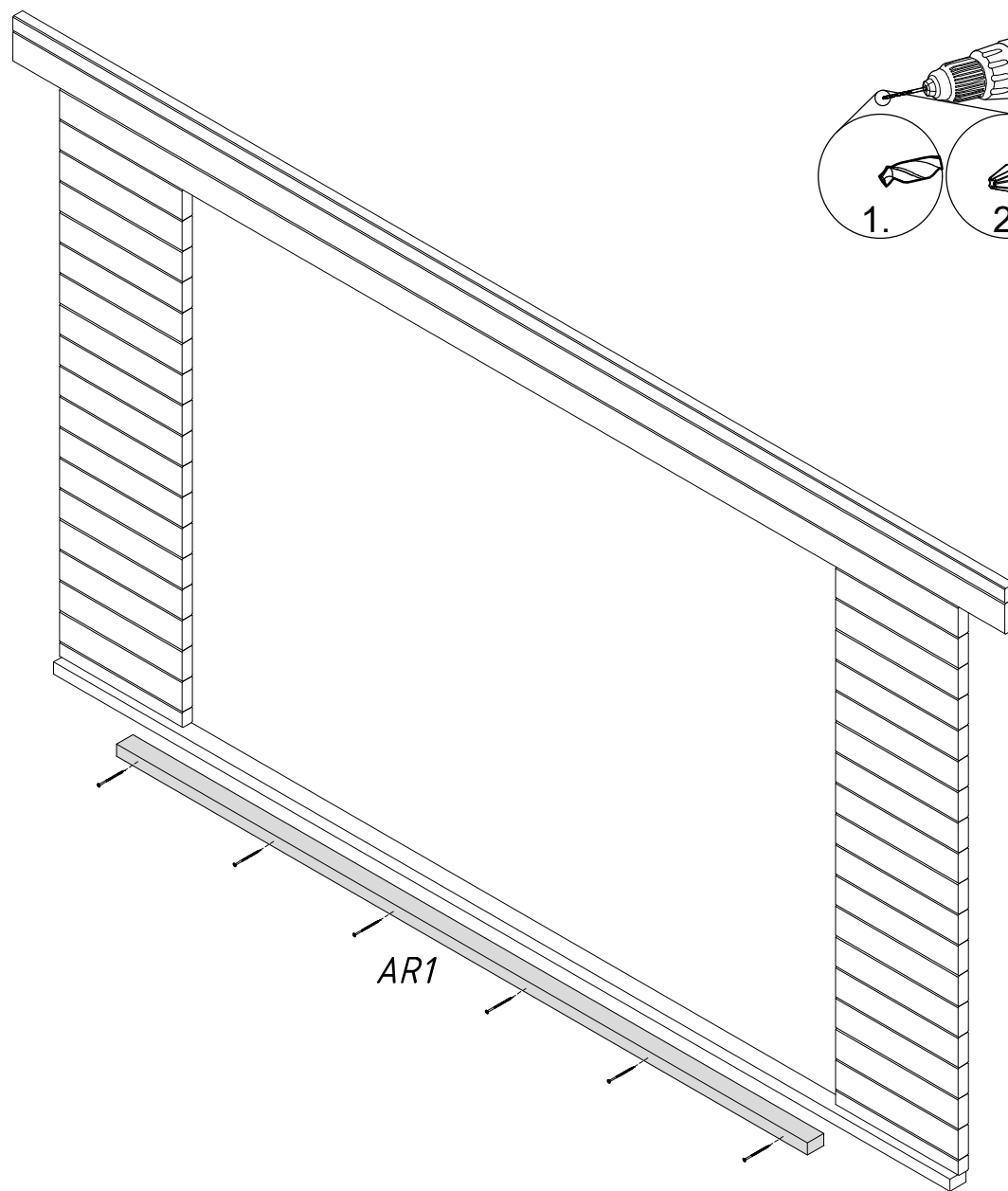
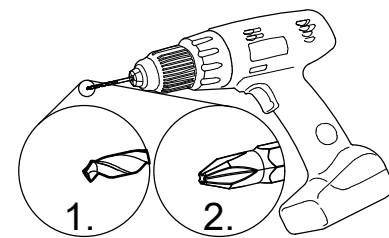
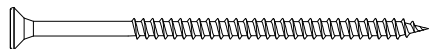
- QG-2 x8



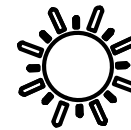
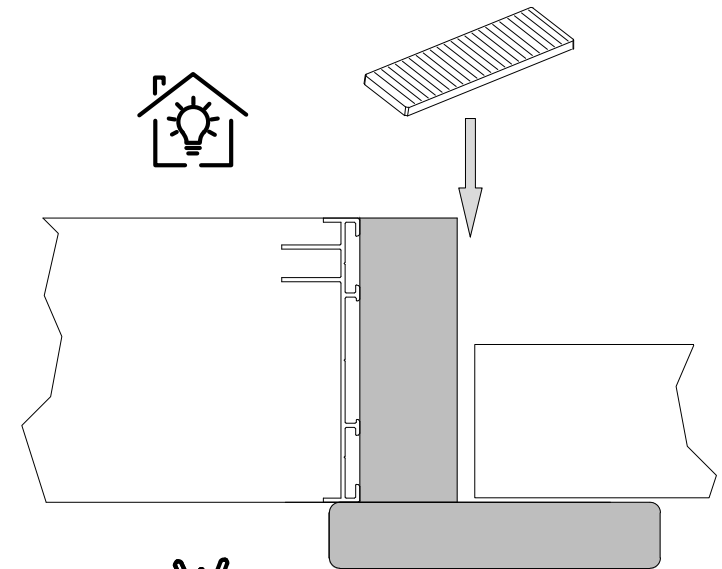
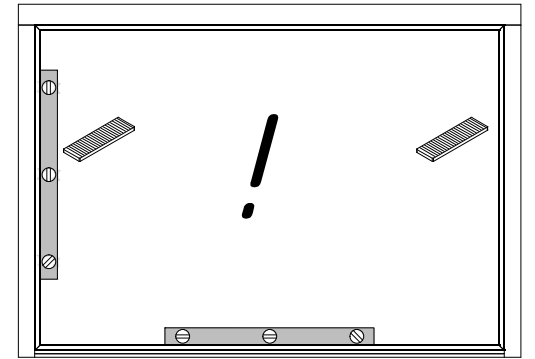
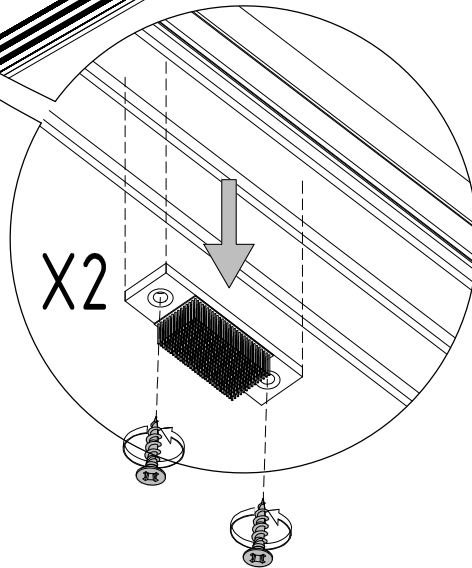
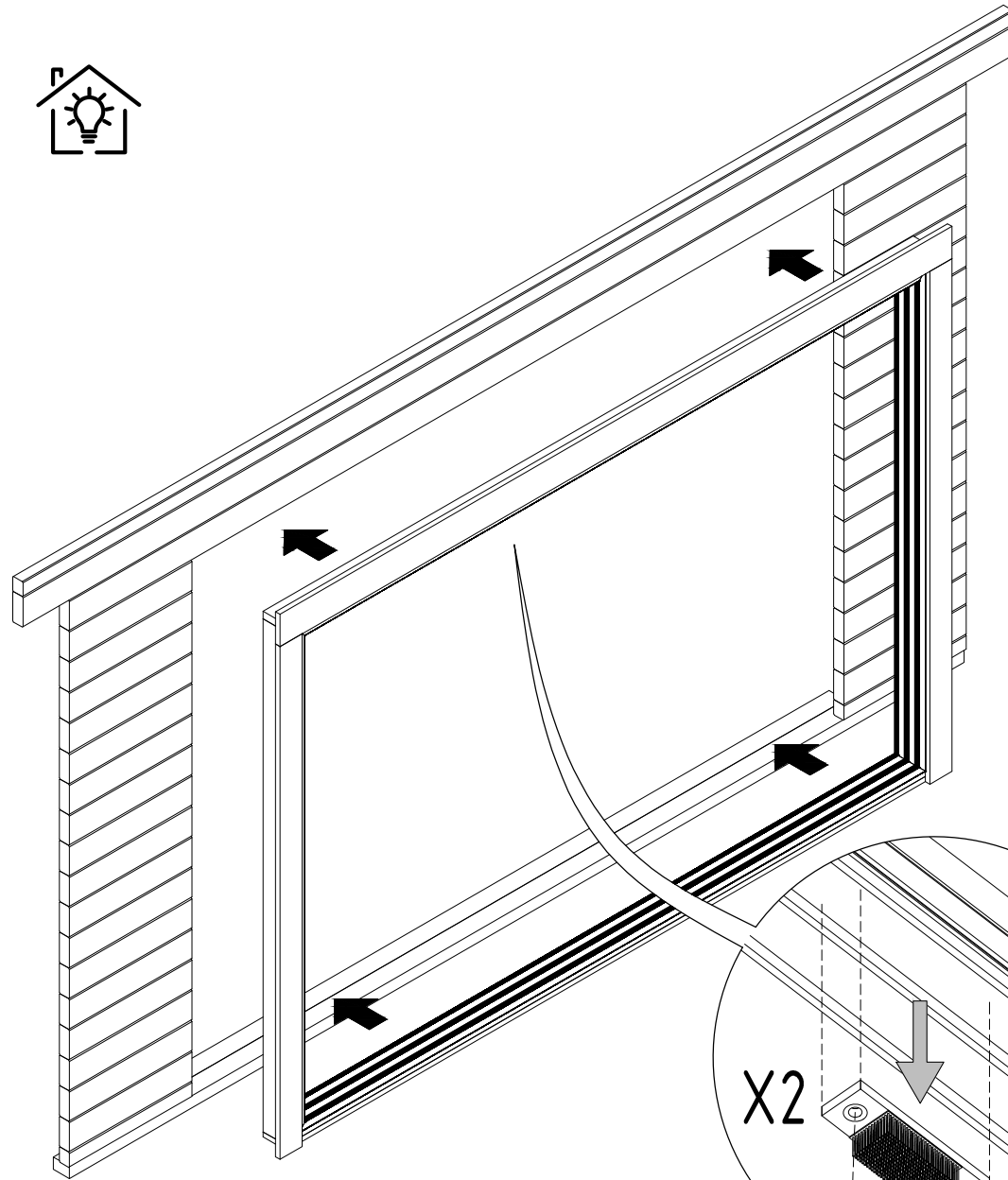
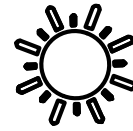
- Sis1 x2
  - Sis2 x1
  - Ø4.5x50 x17
- 



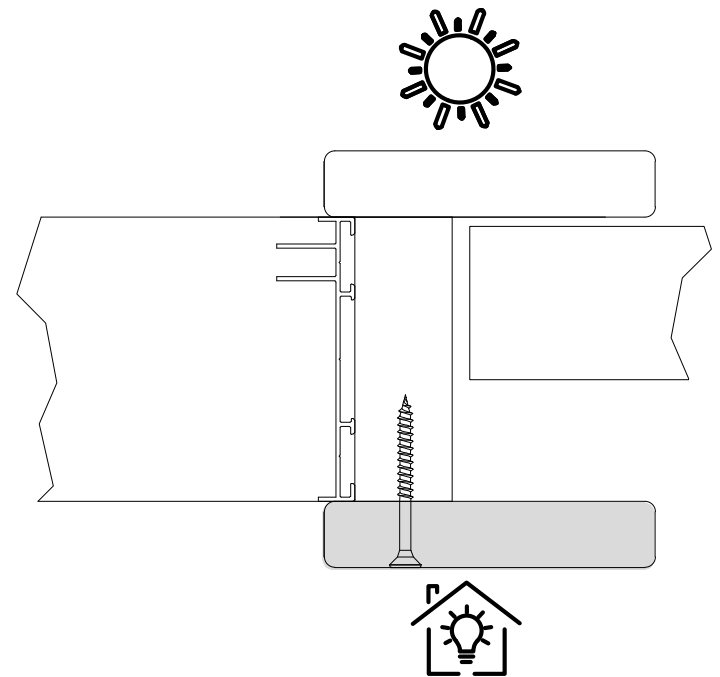
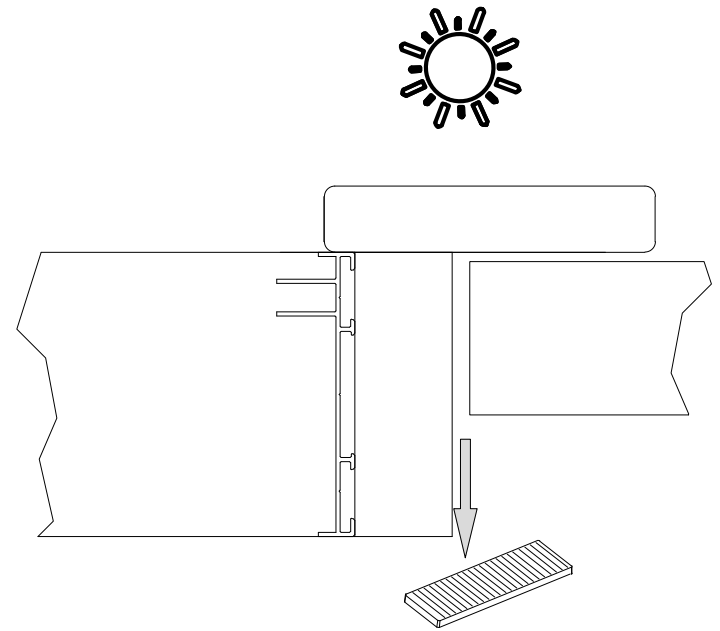
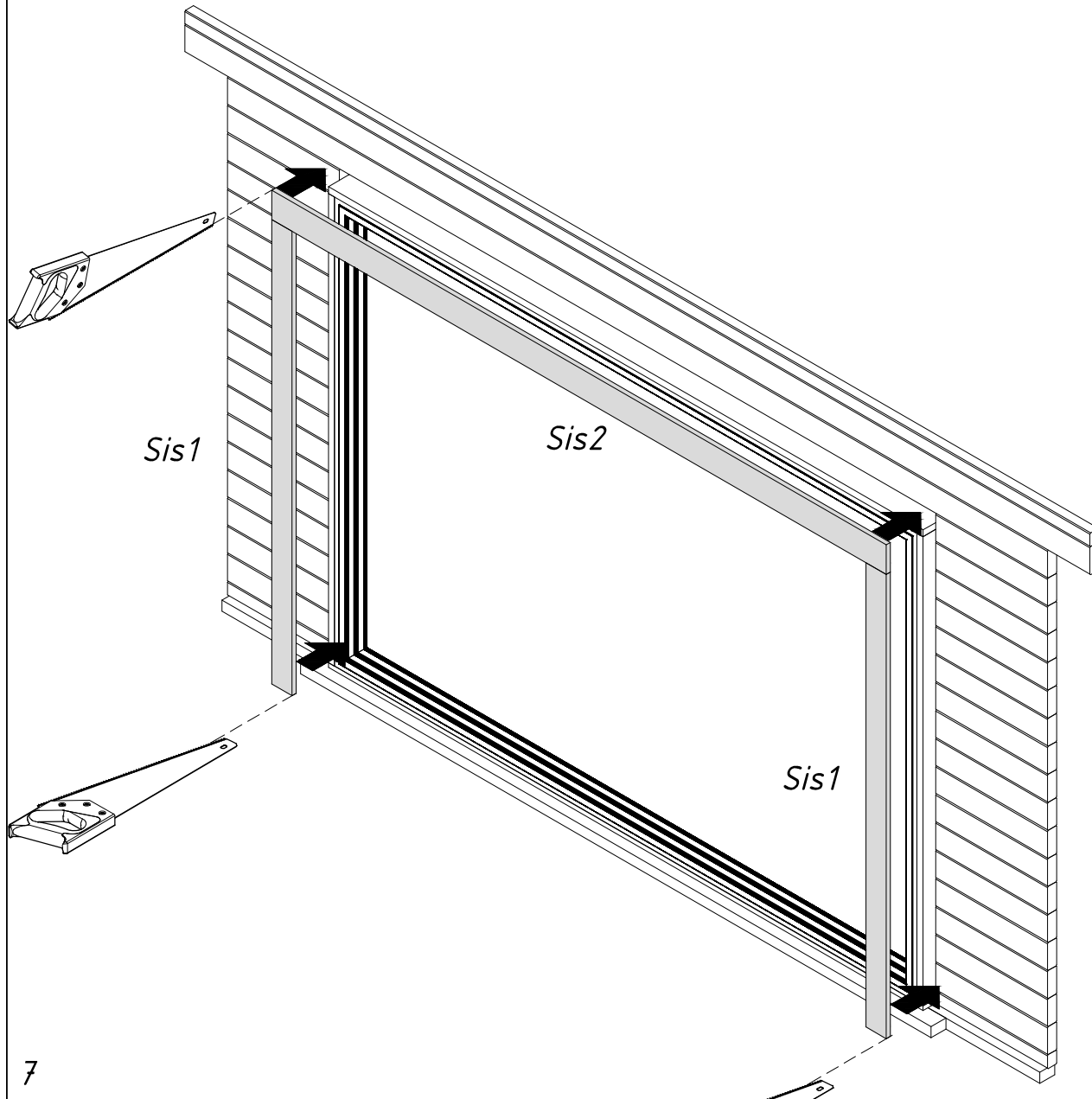
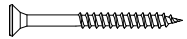
AR1            x1  
Ø6x120        x6



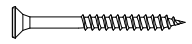




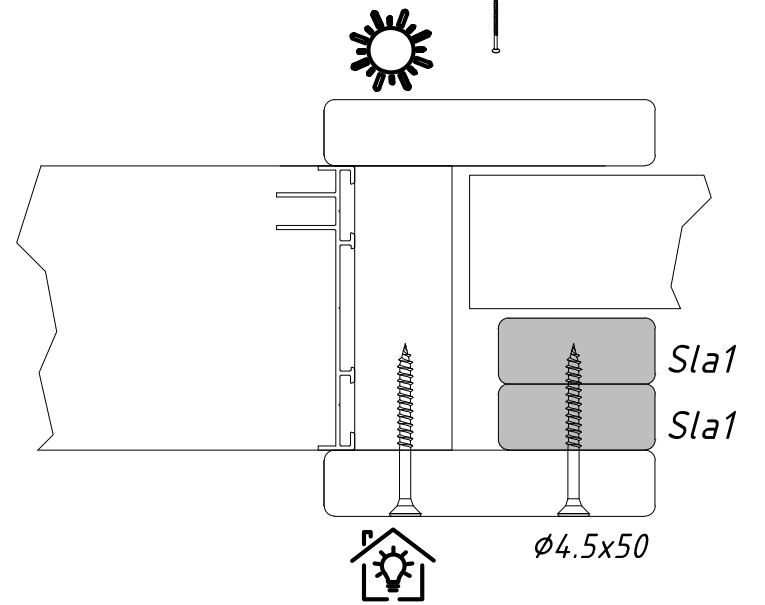
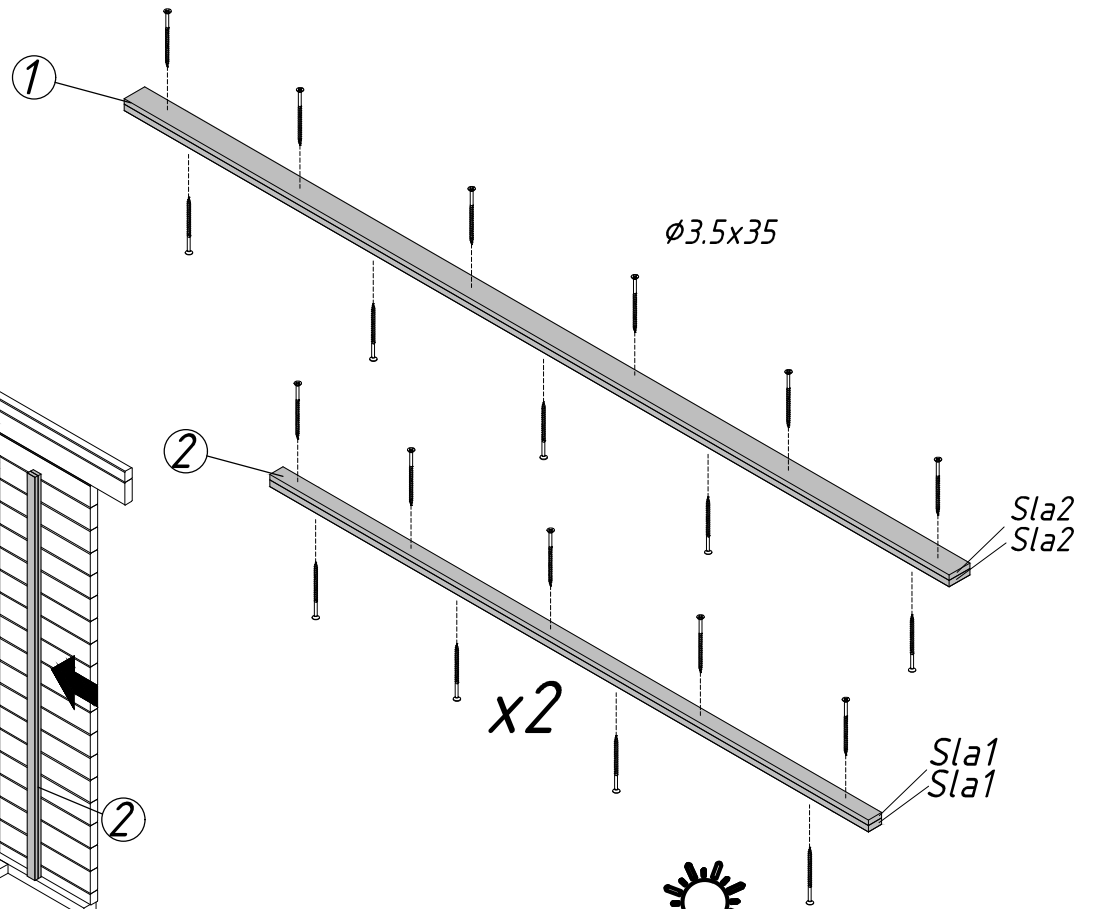
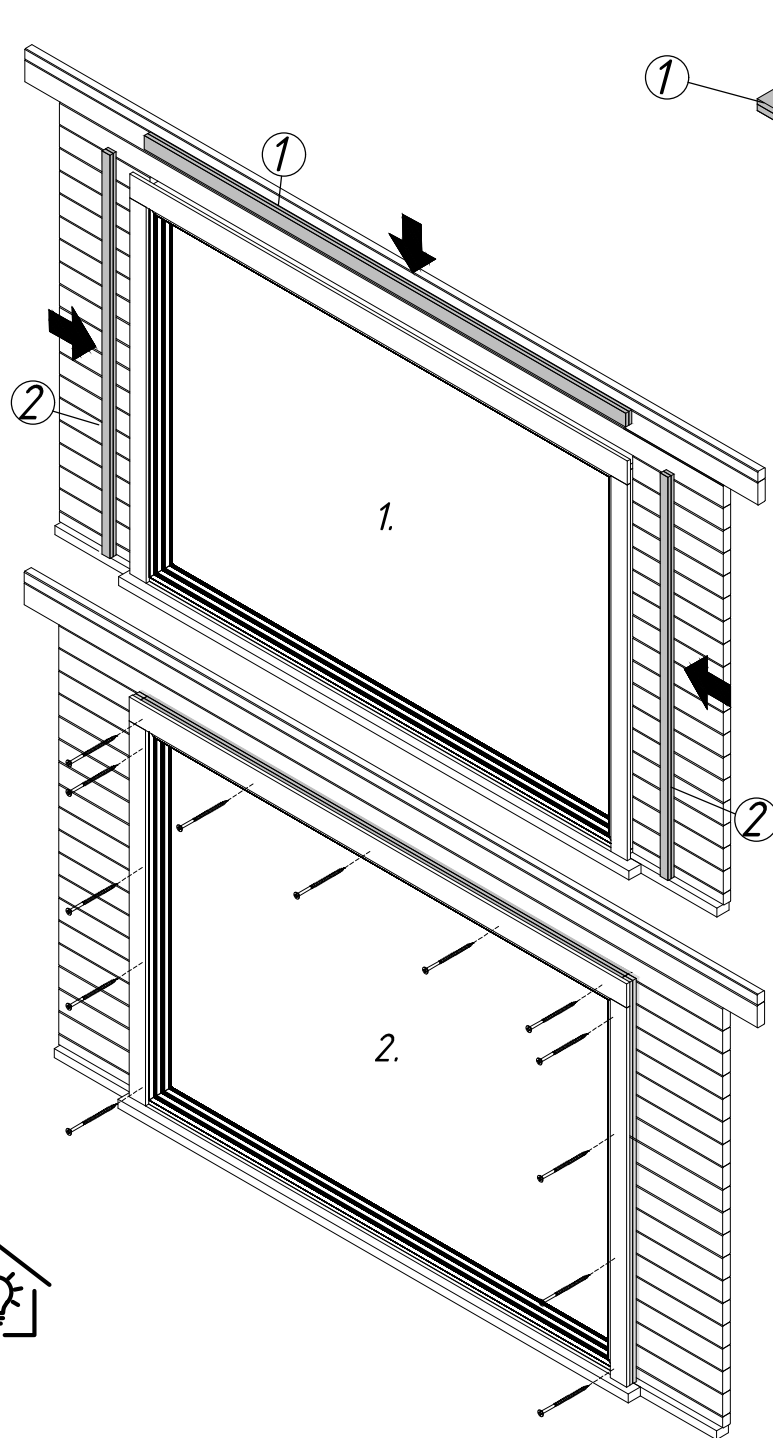
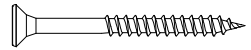
Sis1 x2  
Sis2 x1  
Ø4.5x50 x17

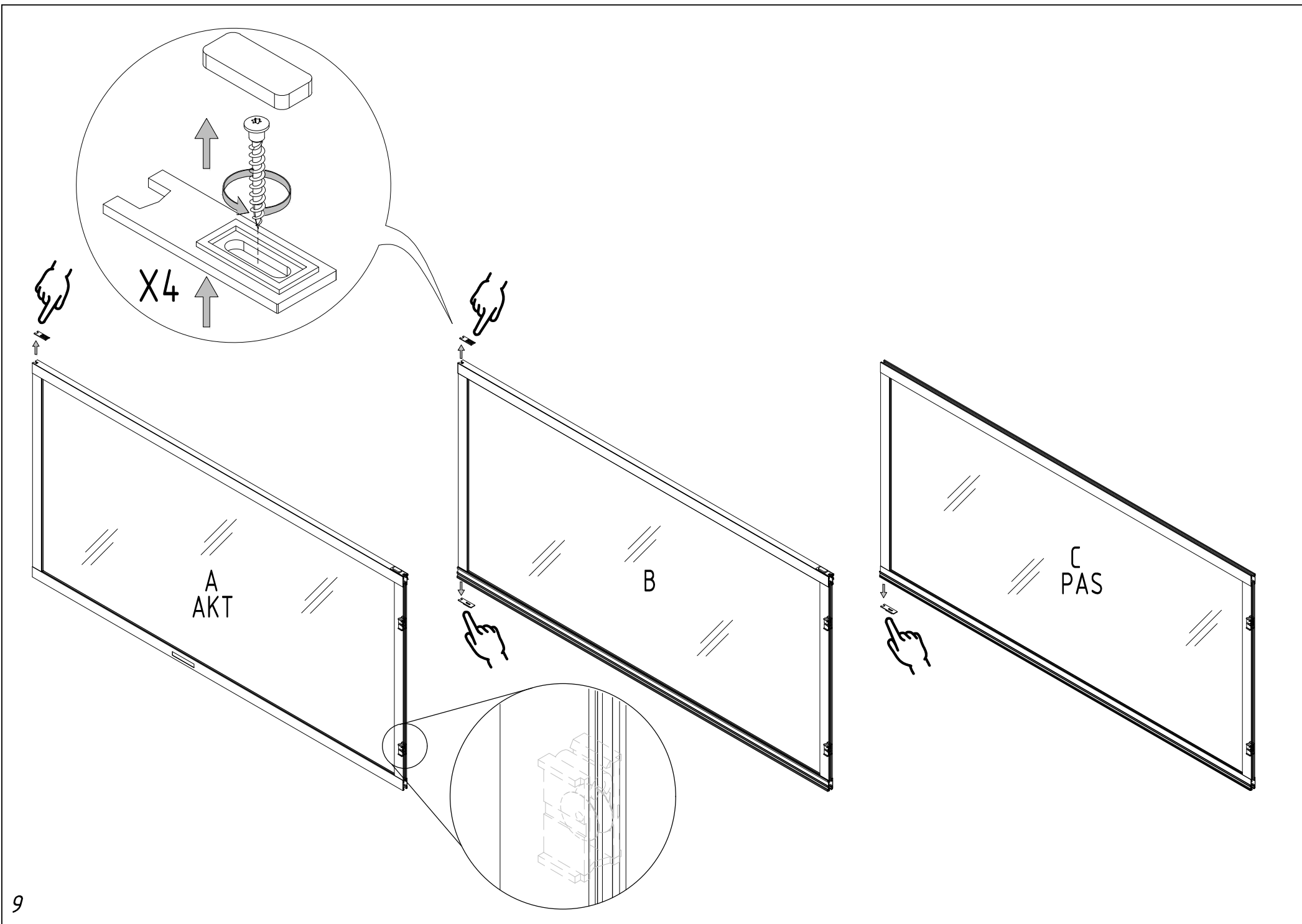


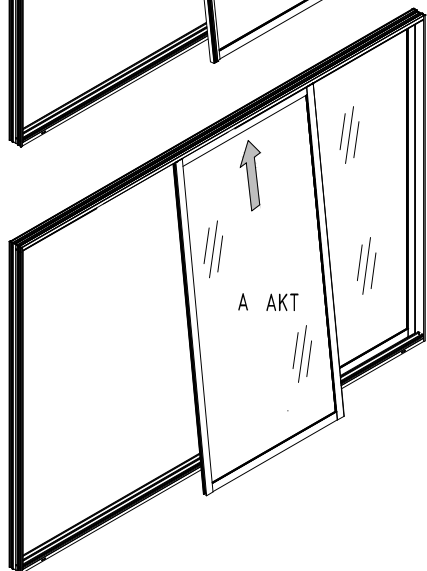
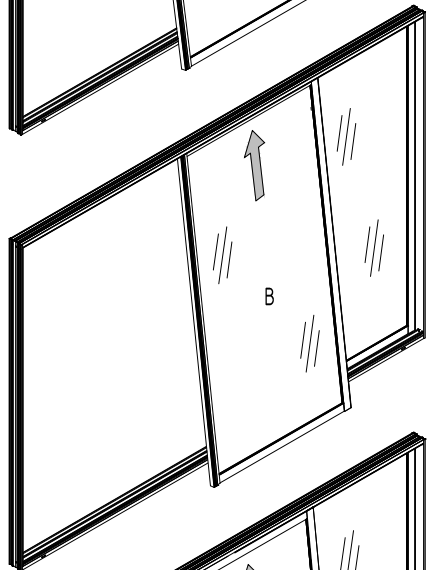
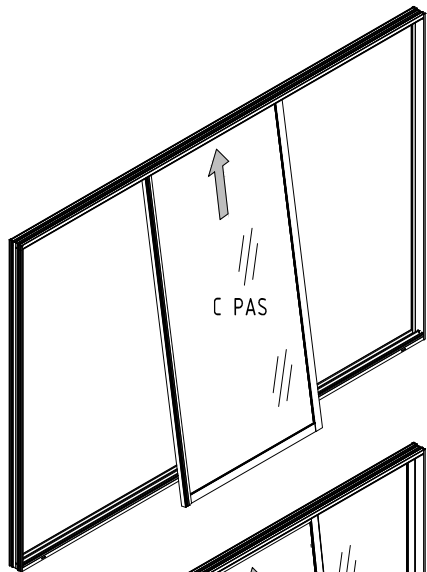
*Sla1* x4  
*Sla2* x2  
 $\phi 3.5 \times 35$  x29



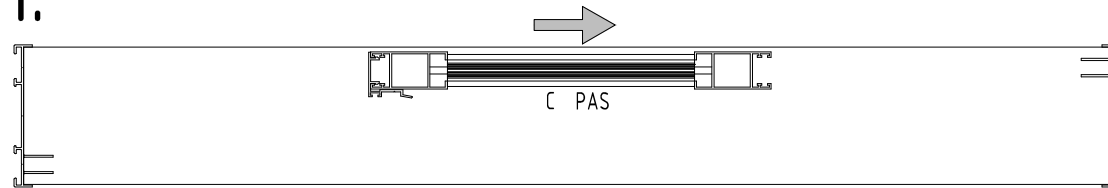
$\phi 4.5 \times 50$  x13



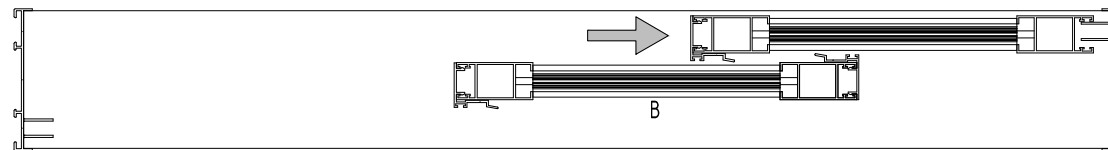




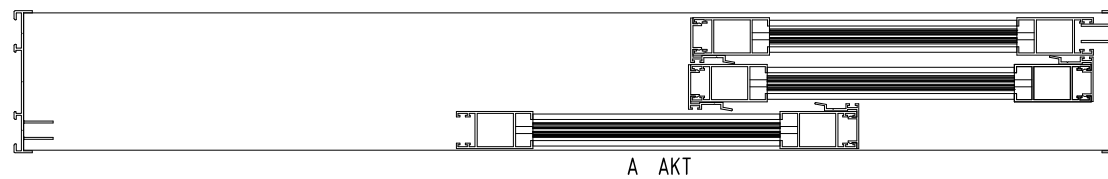
1.

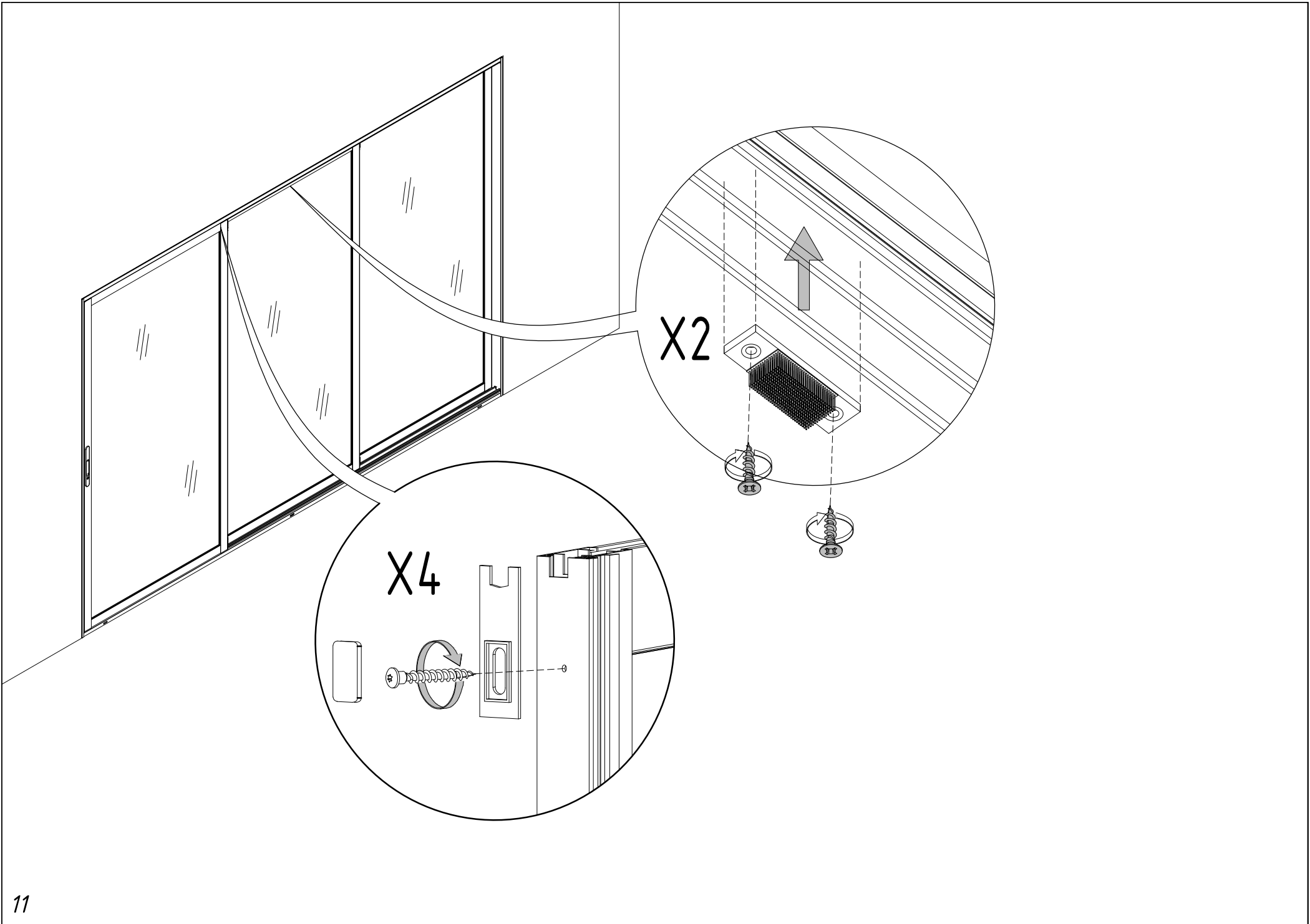


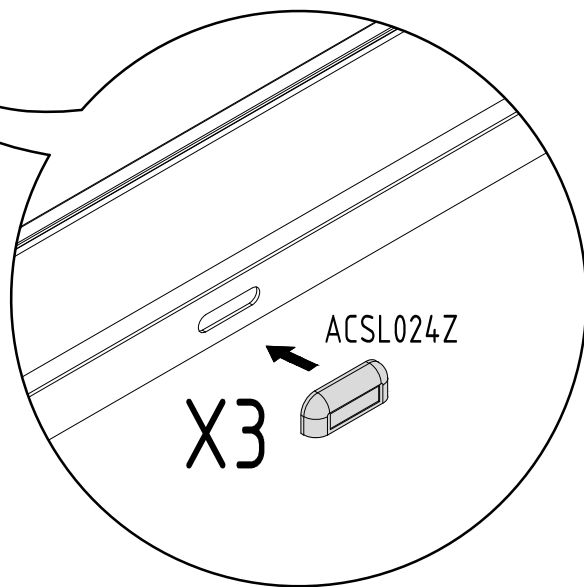
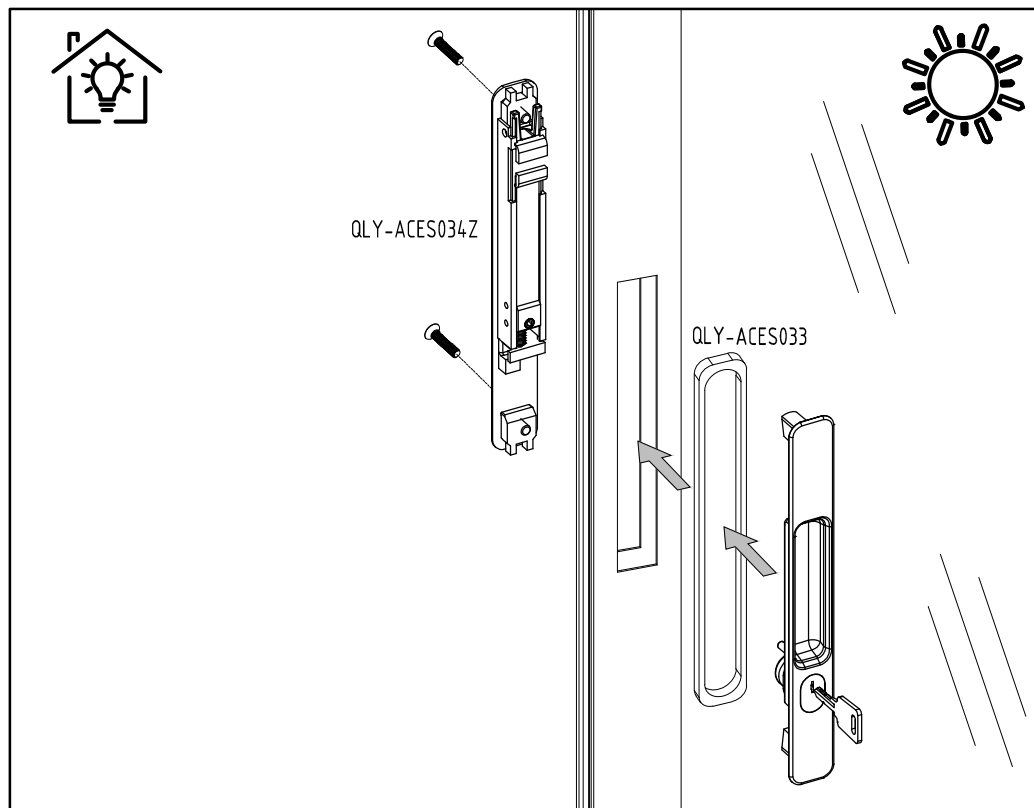
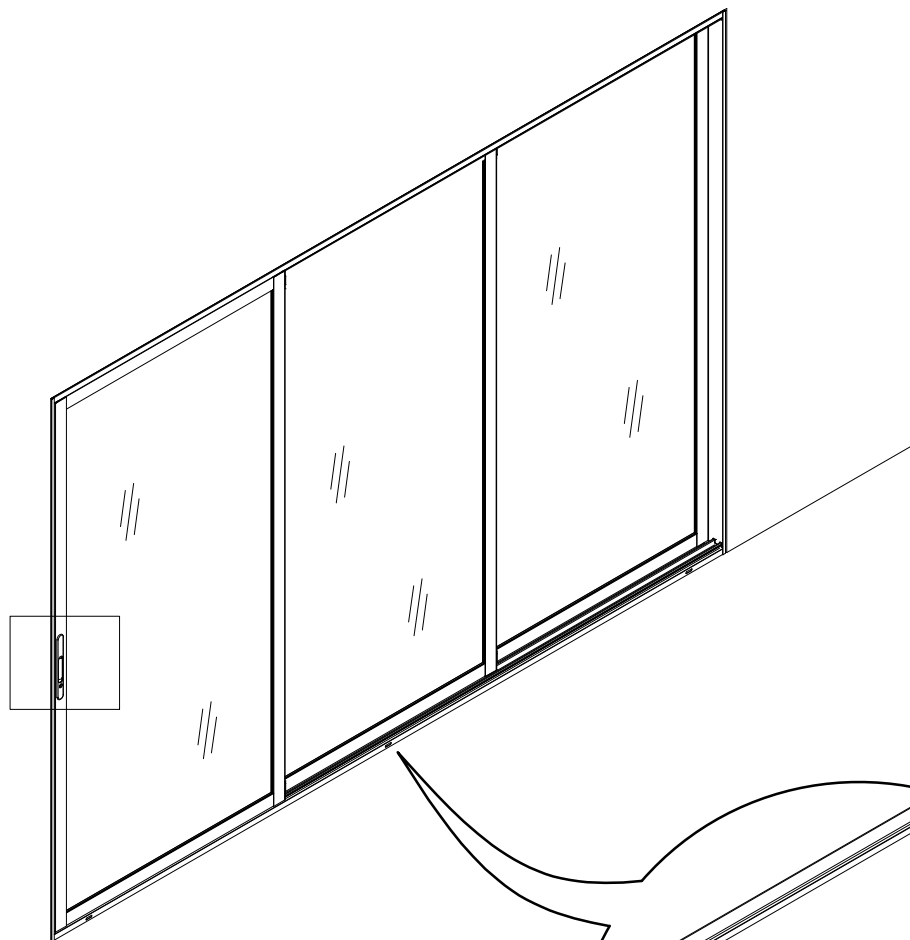
2.

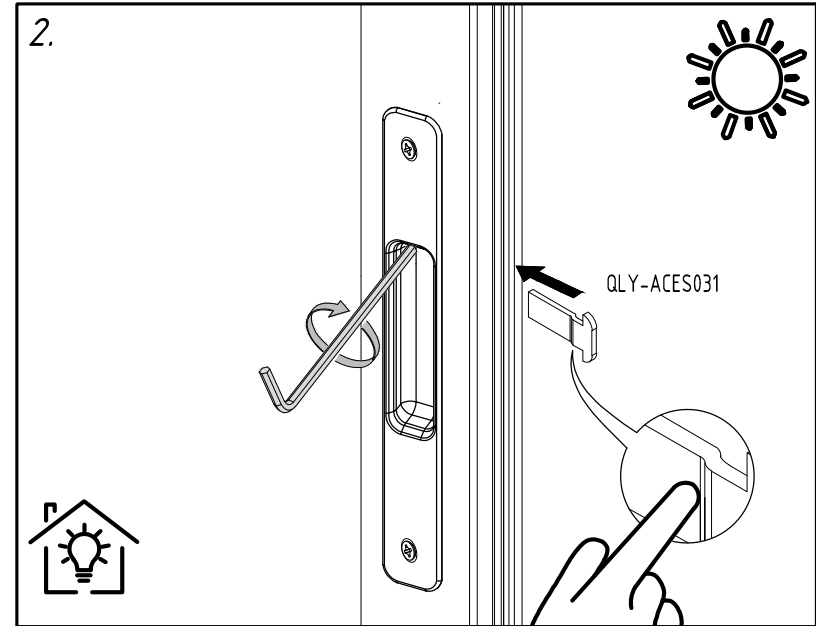
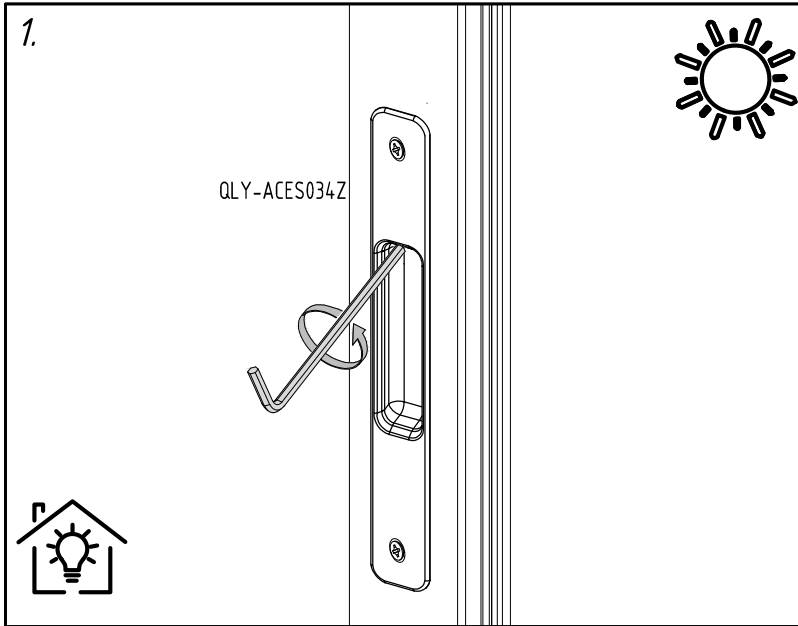


3.











ES01 S

