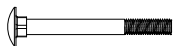
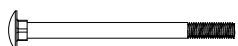


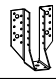
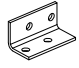



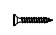



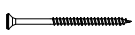




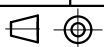
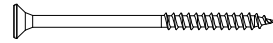
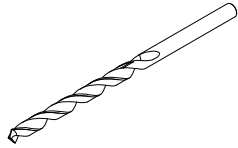


| Pos | SPECIFICATION-STÜCKLISTE-NOMENCLATURE-ELEMENTI-ESPECIFICACIÓN LA28-3030-9 | Pcs | Profile (mm) | Length (mm) |
|------------------|---|-----|-----------------|----------------|
| W1-1 | | 1 | | |
| AR1 | Foundation- Fundament- Fondation- Fondazione- Vigas de cimentación | 1 | 70x45 | 2695 |
| CoB1 | Covering board- Deckbrett- Madrier de couverture- Tavola di copertura- Listón de cubierta | 1 | 95x19 | 2300 |
| CoB2 | Covering board- Deckbrett- Madrier de couverture- Tavola di copertura- Listón de cubierta | 1 | 95x19 | 2300 |
| CoB3 | Covering board- Deckbrett- Madrier de couverture- Tavola di copertura- Listón de cubierta | 1 | 70x16 | 2280 |
| CoB4 | Covering board- Deckbrett- Madrier de couverture- Tavola di copertura- Listón de cubierta | 1 | 45x16 | 2280 |
| Pst1 | Post- Pfosten- Poteau- Montante- Poste | 2 | 90x90 | 2310 |
| Pst2 | Post- Pfosten- Poteau- Montante- Poste | 2 | 95x44 | 745 |
| Sla1 | Slat- Leiste- Baguette- Listello- Listón - | 2 | 70x12 | 70 |
| SP1 | Support brace- Stützleiste- Baguette de support- Listello di supporto- Listón de soporte | 1 | 70x34 | 2260 |
| WP1 | Wall panelling- Wandverkleidung- Revêtement du mur- Rivestimento di muro- Revestimiento de pared | 20 | 114x28 | 2780 |
| PR1 | Purlin- Dachpfette- Arbalétrier- Arcareccio- Correa | 1 | 44x140 | 2980 |
| PR2 | Purlin- Dachpfette- Arbalétrier- Arcareccio- Correa 200 2736 | 2 | 44x140 | 2980 |
| PR3 | Purlin- Dachpfette- Arbalétrier- Arcareccio- Correa 200 | 1 | 70x140 | 3002 |
| PR4 | Purlin- Dachpfette- Arbalétrier- Arcareccio- Correa | 1 | 44x140 | 2980 |
| RB2-1 | Roof board- Dachbrett- Madrier du toit- Tavola tetto- Tabla de tejado | 64 | 89x19 | 1750 |
| EaE5-1 | Eave edging- Dachrandbrett- Madrier en bordure du toit- Tavola bordo tetto- Tabla de valadizo | 2 | 19x95 | 2780 |
| FaB7-1 | Facia board- Giebelblende- Écran frontal- Schermo frontone- Tabla de facia | 2 | 19x120 | 1790 |
| RE2-1 | Roof edge reinforcement- Dachrandleiste- Baguette en bordure du toit- Rinforzo bordo tetto- Refuerzo borde tejado | 2 | 32x40 | 2780 |
| WB1-1 | Wind brace- Windbrett- Madrier contre le vent- Tavola vento- Tabla contra el viento | 2 | 16x45 | 1790 |
| Fim | -Fixing kit- Befestigungsset- Moyens de fixation- Materiale di fissaggio- Kit de fijación | 1 | USE | |
| QKRKK8 x160Zn | Bolt -Schloss-schraube -Boulon- Bullone- Perno- 8x160mm KSKR | 4 | | |
| QKRKK 8x70Zn | Bolt -Schloss-schraube -Boulon- Bullone- Perno- 8x70mm KSKR | 8 | | |
| | Object name | | | Page 1/2 |

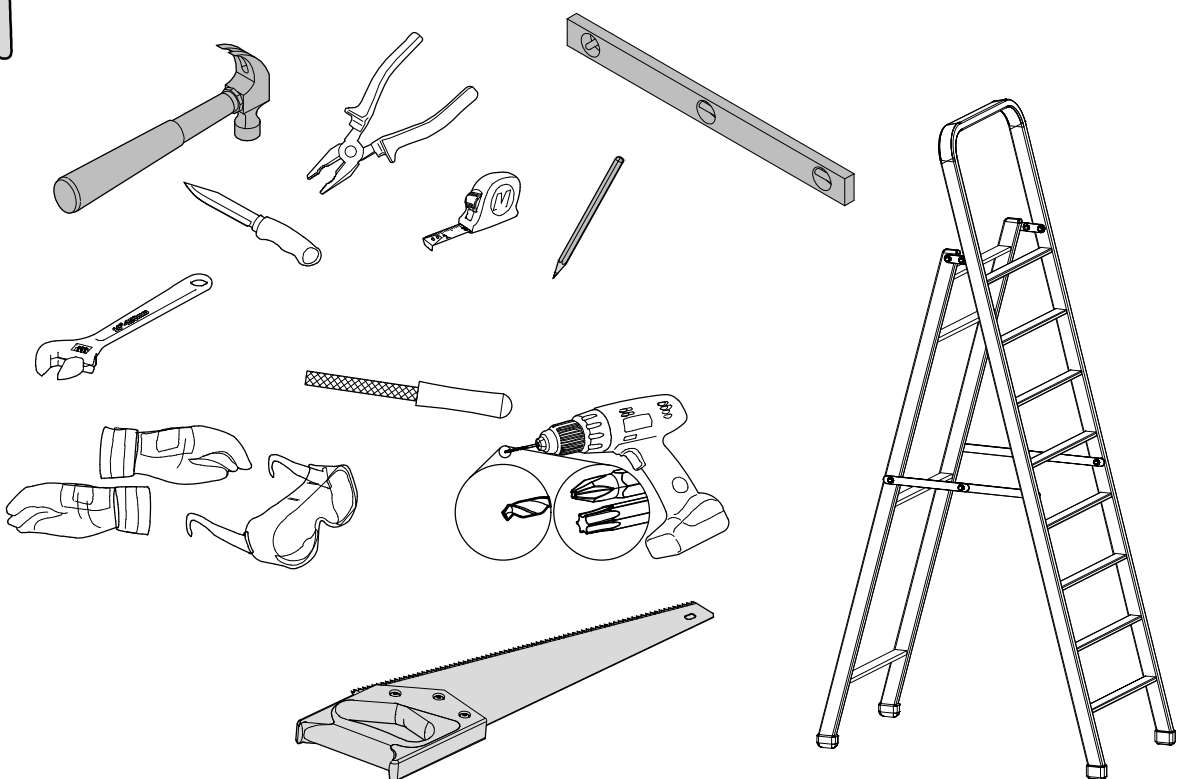
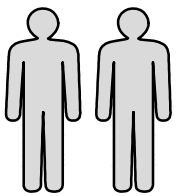
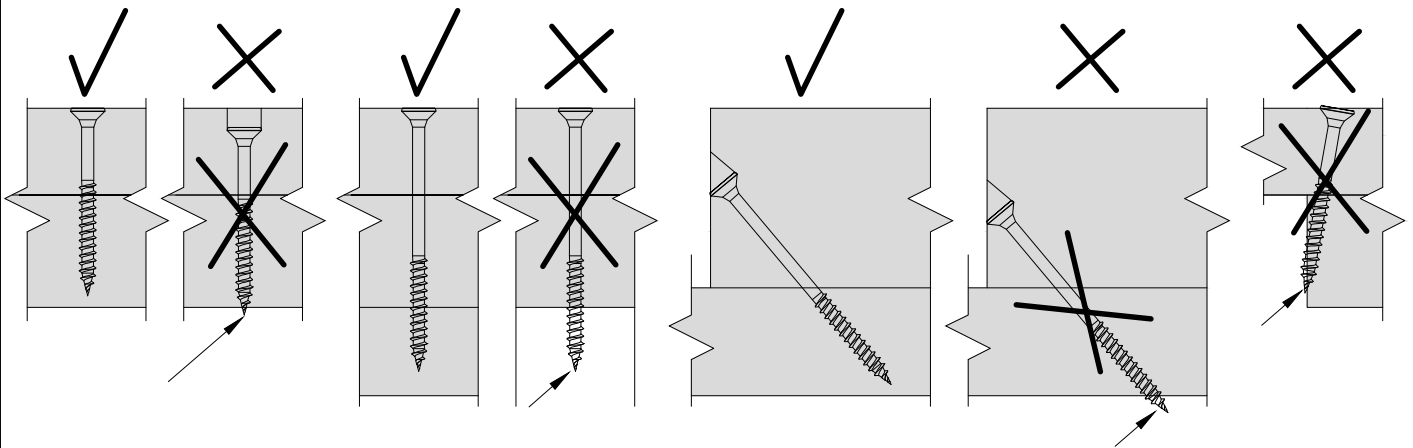
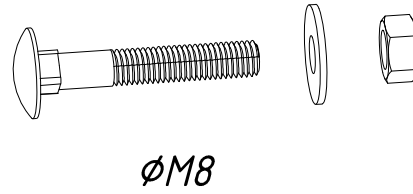
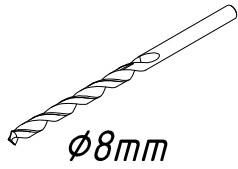
| Pos | SPECIFICATION-STÜCKLISTE-NOMENCLATURE-ELEMENTI-ESPECIFICACIÓN LA28-3030-9 | Pcs | Profile (mm) | Length (mm) |
|---|--|-----|-----------------|----------------|
| QPOYP1 0x100Zn | Bolt -Schloss-schraube -Boulon- Bullone- Perno- M10x100mm PUP0  | 4 | | |
| QPOYP1 0x140Zn | Bolt -Schloss-schraube -Boulon- Bullone- Perno- M10x140mm PUP0  | 4 | | |
| QPOKK1 0x70Zn | Bolt -Schloss-schraube -Boulon- Bullone- Perno- M10x70mm KSP0  | 4 | | |
| QKA20 | Hole plug- Abdeckkappe- Cache-vis- Tappi in legno- Embellecedor- QKA20  | 4 | | |
| QTK70 x125Zn | Joist hanger- Balkenschuhe- Étrier a solive- Gancio travetto- Suspensión de la viga- QTK70x125Zn  | 2 | | |
| QNU20 x20x40 | L-iron- Winkel- Angle -Angolo- Angulo 20x20x40  | 3 | | |
| QNA2 2x50Zn | Nail- Nagel- Clou- Chiodo- Clavo- 2.5x50mm  | 200 | | |
| QMUK K10Zn | Nut- Schraubenmutter- Écrou- Dado- Tuerca- M10mm  | 12 | | |
| QPT90x 120x60 | Post base- Pfostenträger- Ancre a poteaux- Dettaglio- Detalle  | 2 | | |
| QKRP P3_5 x25kZn | Screw- Schraube- Vis- Vite- Tornillo- 3.5x25mm  | 12 | | |
| QKRPP3 _5x30Zn | Screw- Schraube- Vis- Vite- Tornillo- 3.5x30mm  | 4 | | |
| QKRPP4 _5x50Zn | Screw- Schraube- Vis- Vite- Tornillo- 4.5x50mm  | 150 | | |
| QKRYP 5x40Zn | Screw- Schraube- Vis- Vite- Tornillo- 5x40mm ZnY  | 24 | | |
| QKRPP5 x80ZnTX | Screw- Schraube- Vis- Vite- Tornillo- 5x80mm  | 16 | | |
| QKRPP 5x90Zn | Screw- Schraube- Vis- Vite- Tornillo- 5x90mm  | 60 | | |
| QKRPP6 x120Zn | Screw- Schraube- Vis- Vite- Tornillo- 6x120mm  | 4 | | |
| QSE8 x20Zn | Washer- Dichtscheibe- Joint- Rondella- Arandela- 8x20mm  | 4 | | |
| QSE10 x30Zn | Washer- Dichtscheibe- Joint- Rondella- Arandela- 10x30mm  | 12 | | |
| | | | | |
| | | | | |
| | | | | |
| | | | | |
| | | | | |
| | | | | |
| | | | | |
| | | | | |
| | | | | |
| | | | | |
|  | Object name | | | Page 2/2 |

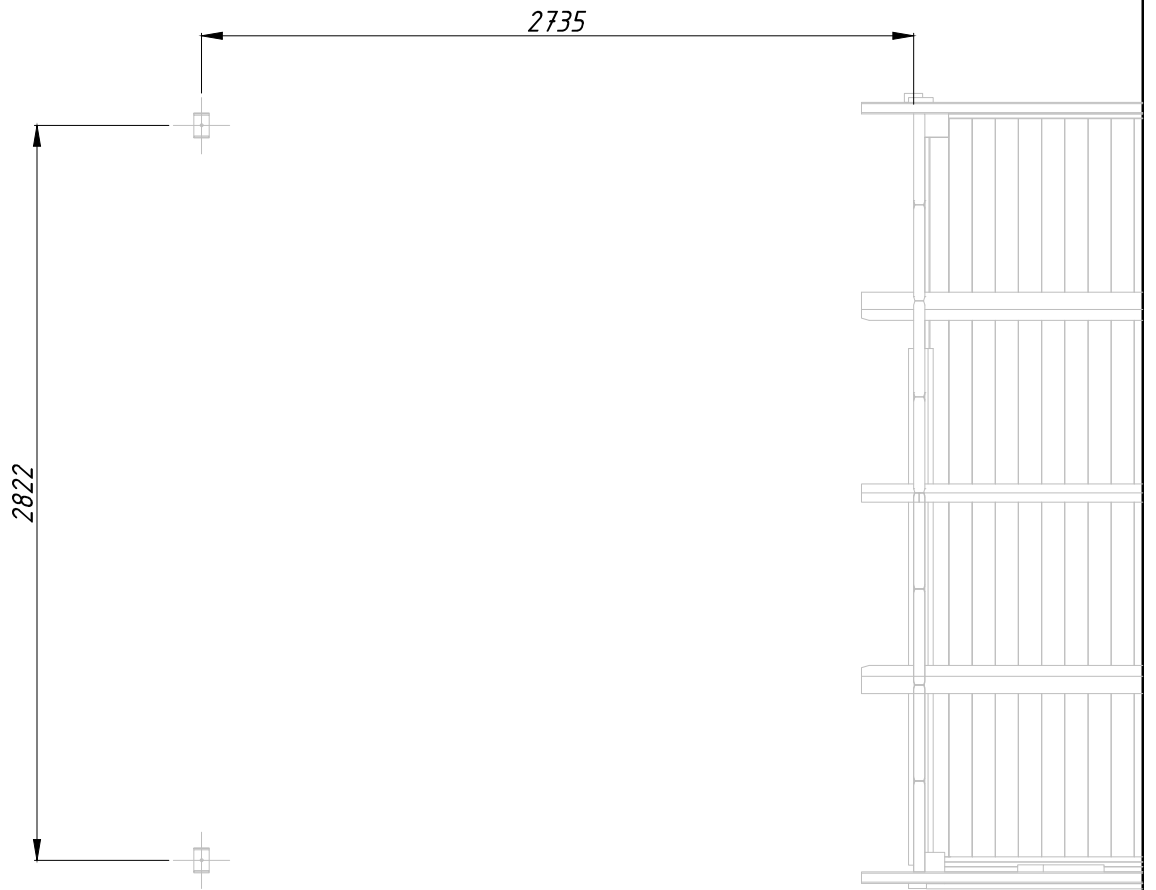
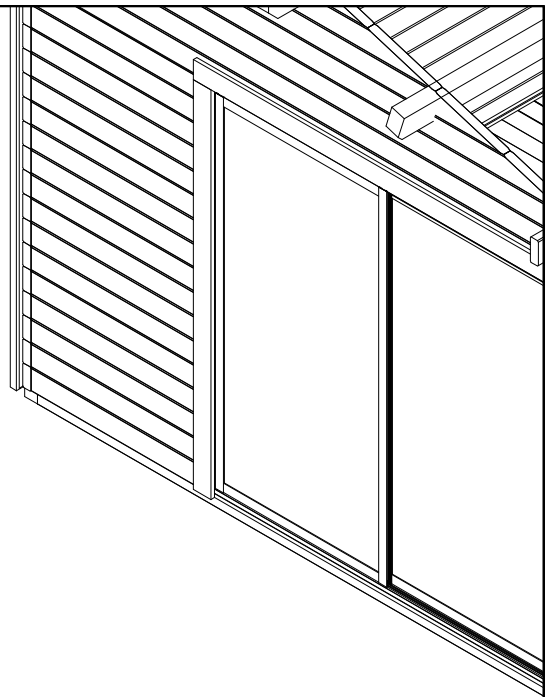
NB!

1.



| | |
|--------------|------------------|
| $\phi 1,5mm$ | $\phi 3,0...4,0$ |
| $\phi 2,0mm$ | $\phi 4,5$ |
| $\phi 3,0mm$ | $\phi 5,0$ |

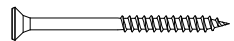




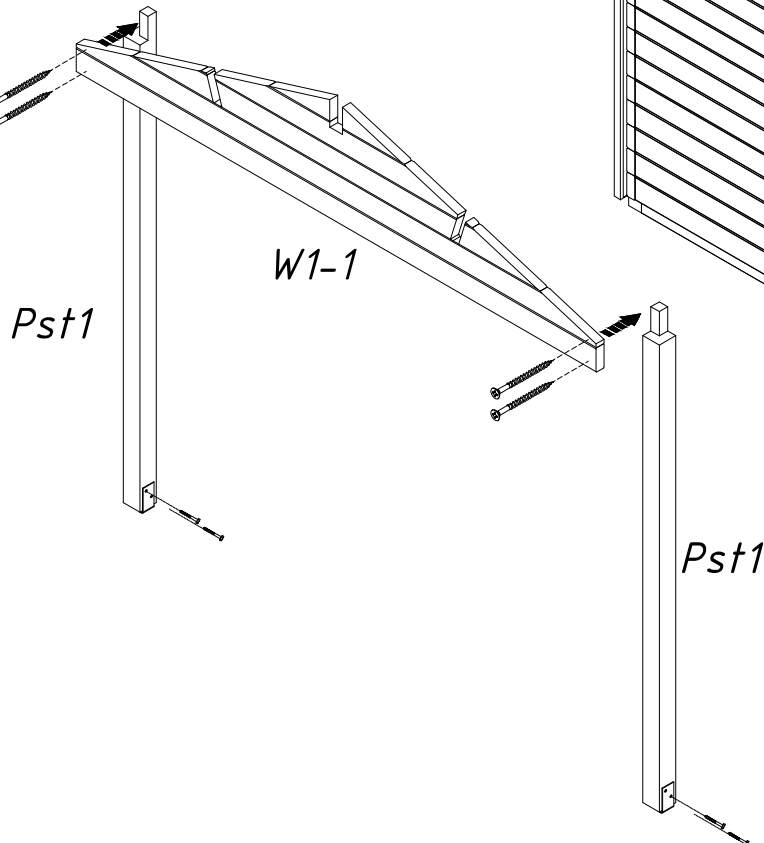
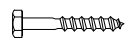
Pst1 x2

W1-1 x1


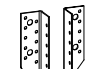
Ø5x80 x4



Ø8x70 x8

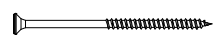


PR1 x1
 PR4 x1
 Sla1 x1

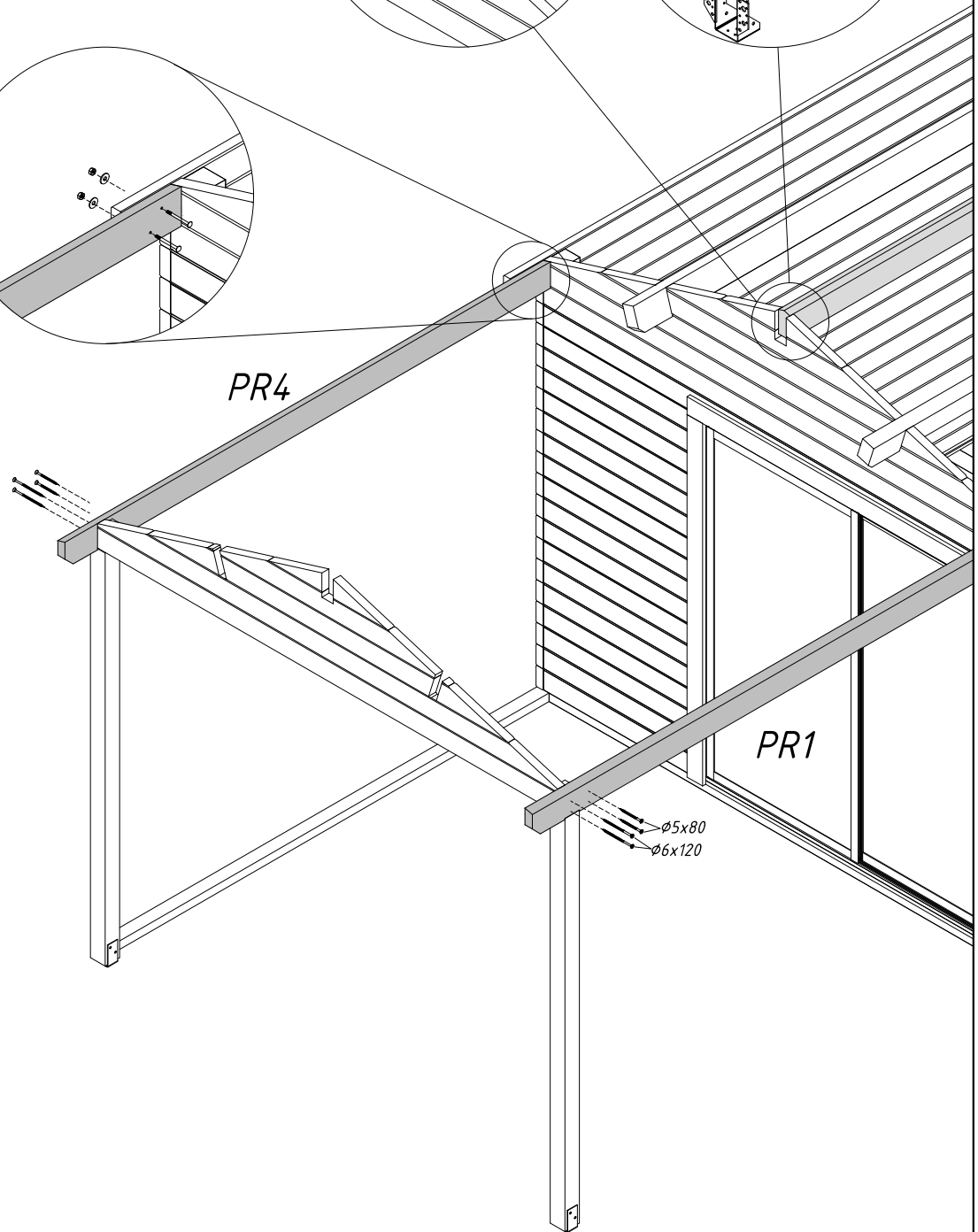
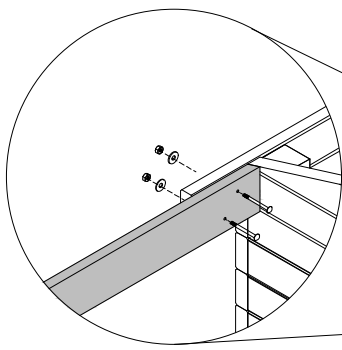
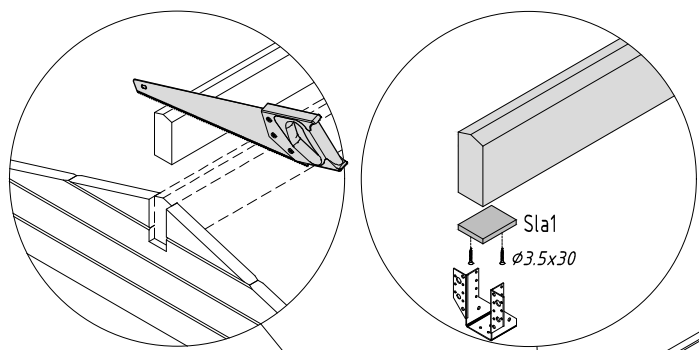
M10x100 x4

 x1


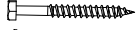

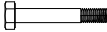

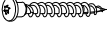
$\phi 3.5 \times 30$ x2

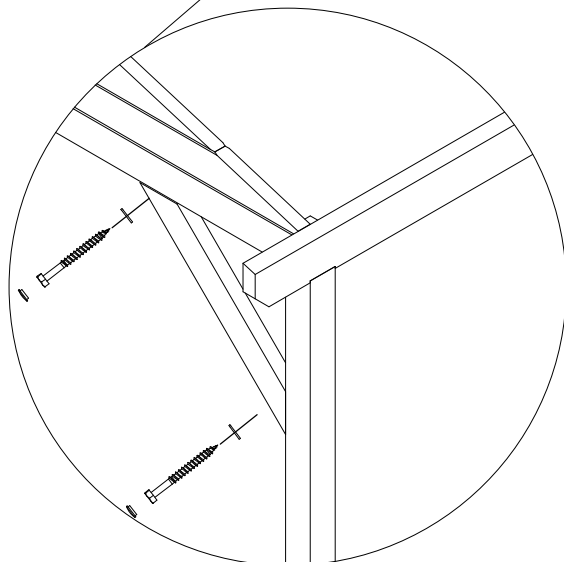
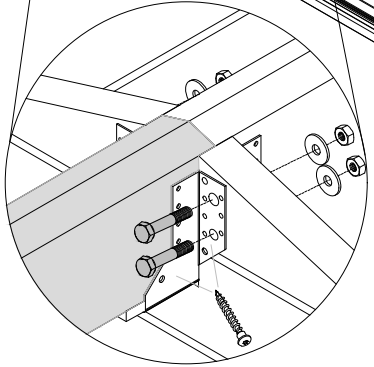
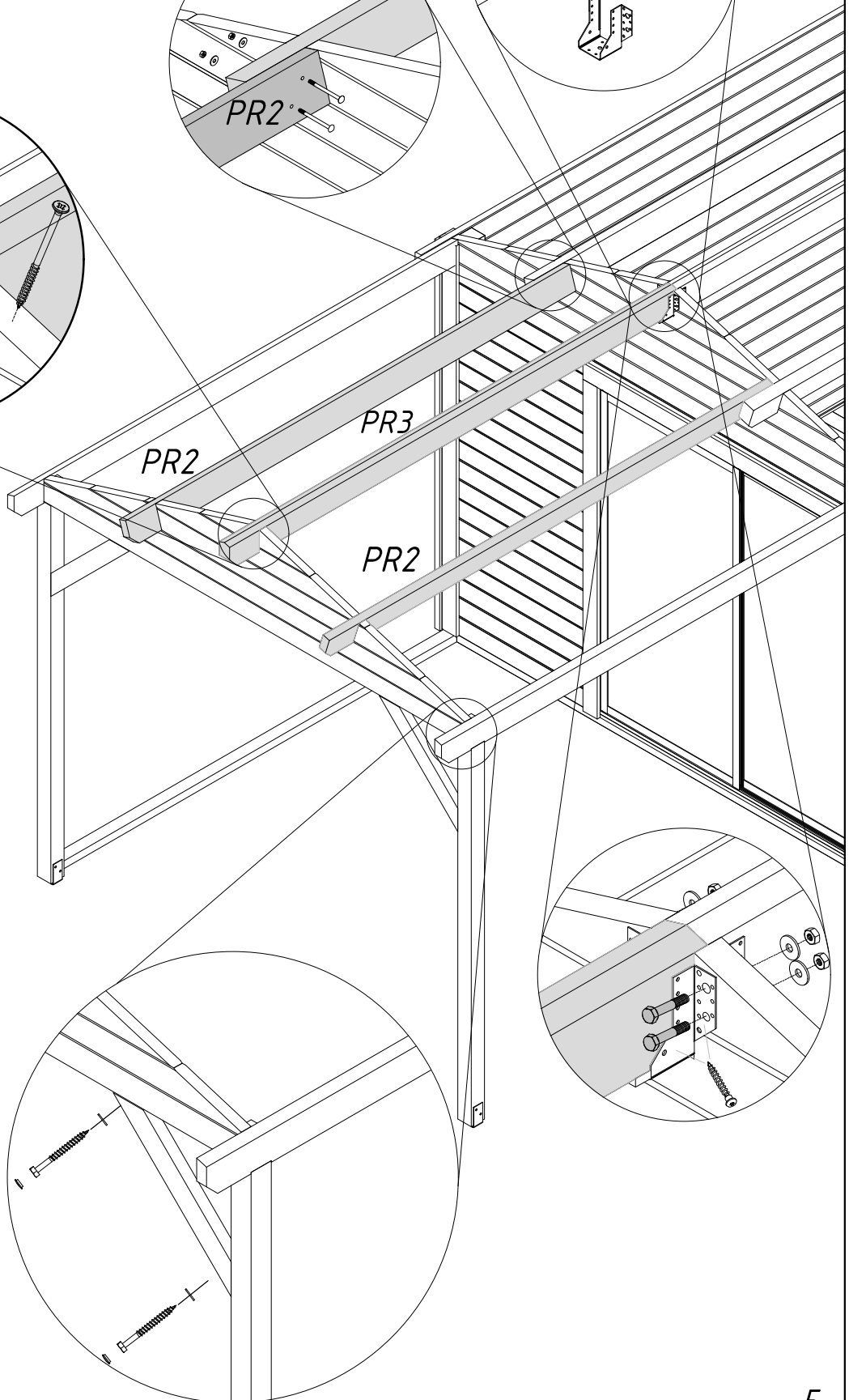
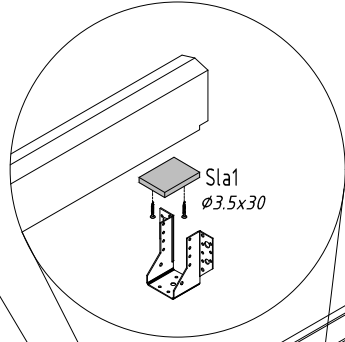
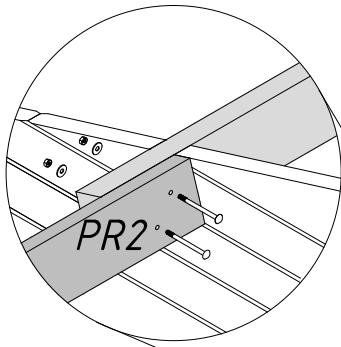
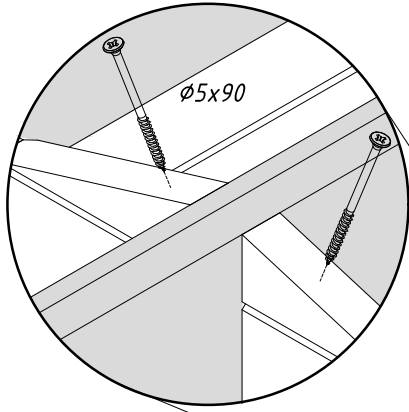

$\phi 5 \times 40$ x12


$\phi 5 \times 80$ x4


$\phi 6 \times 120$ x4

- | | | | |
|---------|-----|---|----|
| PR2 | x2 | M10x140 | x4 |
| PR3 | x1 |  | |
| Sl1 | x1 | | |
| ∅5x90 | x6 |  | x4 |
| | |  | |
| ∅3.5x30 | x2 |  | x4 |
| | |  | |
| ∅5x40 | x12 |  | |

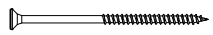


WP1 x20

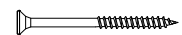
SP1 x1

CoB3 x1

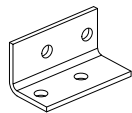
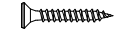
Ø5x90 x46



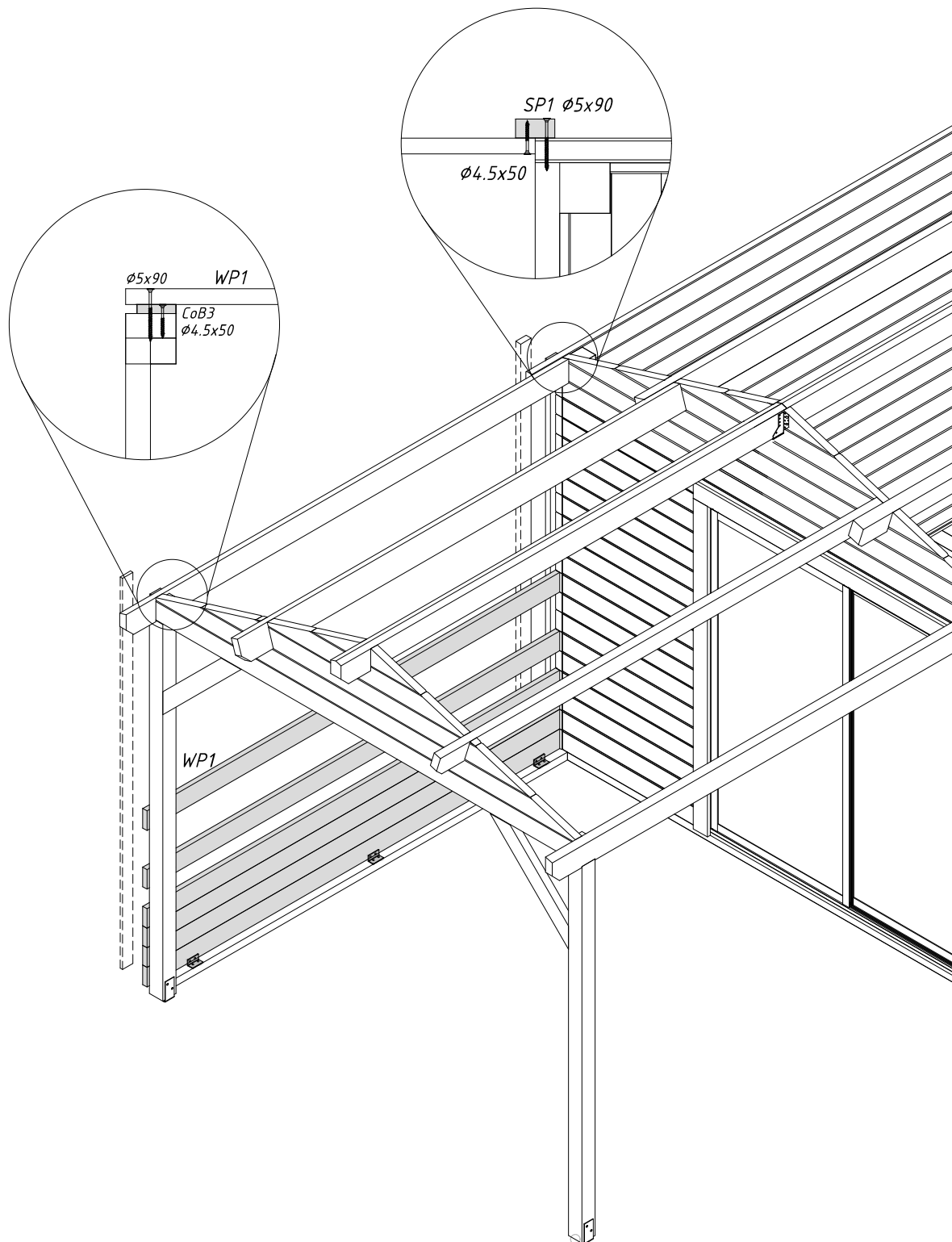
Ø4.5x50 x46



Ø3.5x25 x12

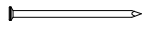


x3



RB2-1 x64

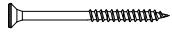
Ø2.5x50 x200



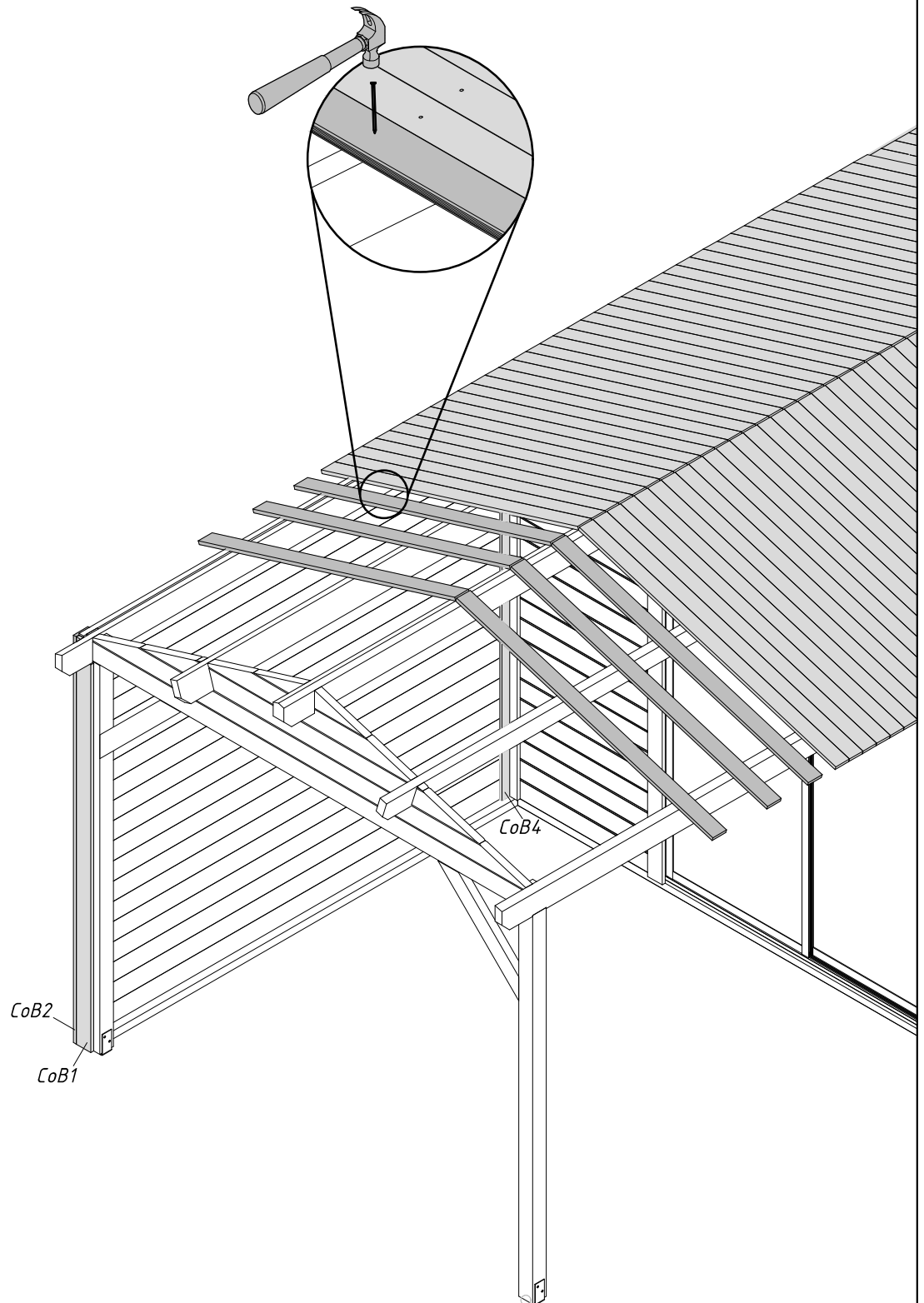
CoB1 x1

CoB2 x1

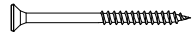
CoB4 x1



Ø4.5x50 x15



EaE5-1 x4 $\phi 4.5 \times 50$ x50



FaB7-1 x4

RE2-1 x2

WB1-1 x4

Dia-1 x2

